

# Service Manual

SR7500 /A1B/A1S/K1G/L1G  
/N1B/N1G/N1S/U1B

SR8500 /A1B/A1S/L1G/N1B  
/N1G/N1S/U1B

AV Surround Receiver

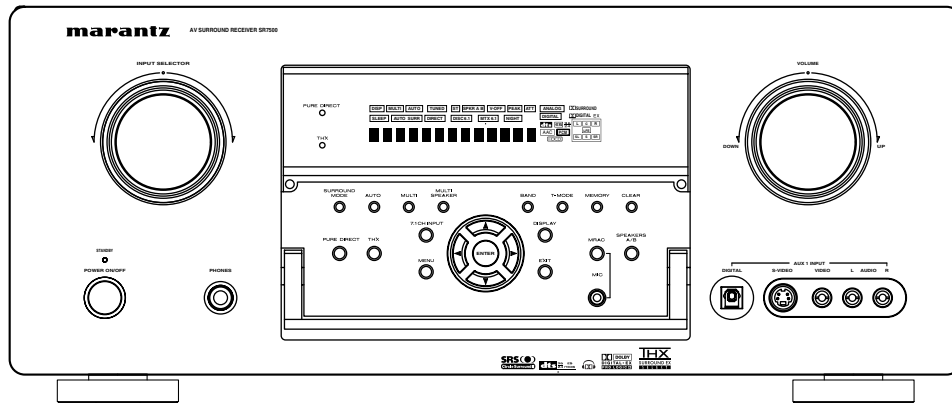
2nd EDITION

• 1, 25 and 27 pages were changed.

PS7500 /F1N

PS8500 /F1N

AV Surround Amplifier



PS7500 / PS8500  
SR7500 / SR8500

## TABLE OF CONTENTS

SECTION	PAGE
1. TECHNICAL SPECIFICATIONS .....	1
2. TECHNICAL DESCRIPTION .....	4
3. POWER AMPLIFIER ADJUSTMENT .....	8
4. SERVICE MODE .....	9
5. SYSTEM ERROR .....	11
6. UPDATE FIRMWARE .....	12
7. WIRING DIAGRAM .....	19
8. BLOCK DIAGRAM .....	21
9. SCHEMATIC DIAGRAM .....	23
10. PARTS LOCATION .....	45
11. IC DATA .....	61
12. EXPLODED VIEW AND PARTS LIST .....	85
13. ELECTRICAL PARTS LIST .....	97



Please use this service manual with referring to the user guide ( D.F.U. ) without fail.  
修理の際は、必ず取扱説明書を準備し操作方法を確認の上作業を行ってください。

# marantz®

SR7500 / SR8500  
PS7500 / PS8500

Part no. 90M10BW855012  
2nd Issue 2004.11  
MJJ

## MARANTZ DESIGN AND SERVICE

Using superior design and selected high grade components, **MARANTZ** company has created the ultimate in stereo sound. Only original **MARANTZ** parts can insure that your **MARANTZ** product will continue to perform to the specifications for which it is famous.

Parts for your **MARANTZ** equipment are generally available to our National Marantz Subsidiary or Agent.

### ORDERING PARTS :

Parts can be ordered either by mail or by Fax.. In both cases, the correct part number has to be specified.

The following information must be supplied to eliminate delays in processing your order :

1. Complete address
2. Complete part numbers and quantities required
3. Description of parts
4. Model number for which part is required
5. Way of shipment
6. Signature : any order form or Fax. must be signed, otherwise such part order will be considered as null and void.

#### USA

**MARANTZ AMERICA, INC**  
1100 MAPLEWOOD DRIVE  
ITASCA, IL. 60143  
USA  
PHONE : 630 - 741 - 0300  
FAX : 630 - 741 - 0301

#### EUROPE / TRADING

**MARANTZ EUROPE B.V.**  
P. O. BOX 8744, BUILDING SILVERPOINT  
BEEMDSTRAAT 11, 5653 MA EINDHOVEN  
THE NETHERLANDS  
PHONE : +31 - 40 - 2507844  
FAX : +31 - 40 - 2507860

#### CANADA

**MARANTZ CANADA INC.**  
5-505 APPLE CREEK BLVD.  
MARKHAM, ONTARIO L3R 5B1  
CANADA  
PHONE : 905 - 415 - 9292  
FAX : 905 - 475 - 4159

#### AUSTRALIA

**QualiFi Pty Ltd,**  
24 LIONEL ROAD,  
MT. WAVERLEY VIC 3149  
AUSTRALIA  
PHONE : +61 - (0)3 - 9543 - 1522  
FAX : +61 - (0)3 - 9543 - 3677

#### THAILAND

**MRZ STANDARD CO., LTD**  
746 - 754 MAHACHAI ROAD.,  
WANGBURAPAPIROM, PHRANAKORN,  
BANGKOK, 10200 THAILAND  
PHONE : +66 - 2 - 222 9181  
FAX : +66 - 2 - 224 6795

#### SINGAPORE

**WO KEE HONG DISTRIBUTION PTE LTD**  
No.1 JALAN KILANG TIMOR  
#08-03 PACIFIC TECH CENTRE  
SINGAPORE 159303  
PHONE : +65 6376 0338  
FAX : +65 6376 0166

#### NEW ZEALAND

**WILDASH AUDIO SYSTEMS NZ**  
14 MALVERN ROAD MT ALBERT  
AUCKLAND NEW ZEALAND  
PHONE : +64 - 9 - 8451958  
FAX : +64 - 9 - 8463554

#### TAIWAN

**PAI- YUING CO., LTD.**  
6 TH FL NO, 148 SUNG KIANG ROAD,  
TAIPEI, 10429, TAIWAN R.O.C.  
PHONE : +886 - 2 - 25221304  
FAX : +886 - 2 - 25630415

#### MALAYSIA

**WO KEE HONG ELECTRONICS SDN. BHD.**  
2ND FLOOR BANGUNAN INFINITE CENTRE  
LOT 1, JALAN 13/6, 46200 PETALING JAYA  
SELANGOR DARUL EHSAN, MALAYSIA  
PHONE : +60 - 3 - 7954 8088  
FAX : +60 - 3 - 7954 7088

#### JAPAN *Technical*

**MARANTZ JAPAN, INC.**  
35- 1, 7- CHOME, SAGAMIONO  
SAGAMIHARA - SHI, KANAGAWA  
JAPAN 228-8505  
PHONE : +81 42 748 1013  
FAX : +81 42 741 9190

#### 日本マランツ株式会社

本社 〒228-8505  
神奈川県相模原市相模大野7-35-1

#### KOREA

**MK ENTERPRISES LTD.**  
ROOM 604/605, ELECTRO-OFFICETEL, 16-58,  
3GA, HANGANG-RO, YONGSAN-KU, SEOUL  
KOREA  
PHONE : +822 - 3232 - 155  
FAX : +822 - 3232 - 154

### SHOCK, FIRE HAZARD SERVICE TEST :

**CAUTION :** After servicing this appliance and prior to returning to customer, measure the resistance between either primary AC cord connector pins ( with unit NOT connected to AC mains and its Power switch ON ), and the face or Front Panel of product and controls and chassis bottom.

Any resistance measurement less than 1 Megohms should cause unit to be repaired or corrected before AC power is applied, and verified before it is return to the user/customer.

Ref. UL Standard No. 1492.

In case of difficulties, do not hesitate to contact the Technical Department at above mentioned address.

# 1. TECHNICAL SPECIFICATIONS

## FM TUNER SECTION [SR7500/SR8500]

Frequency Range.....87.5 - 108.0 MHz  
Usable Sensitivity ..... IHF 1.8  $\mu$ V/16.4 dBf  
Signal to Noise Ratio..... Mono/Stereo 75/70 dB  
Distortion.....Mono/Stereo 0.2/0.3 %  
Stereo Separation ..... 1 kHz 45 dB  
Alternate Channel Selectivity .....  $\pm$  300 kHz 60 dB  
Image Rejection .....98 MHz 70 dB  
Tuner Output Level ..... 1 kHz,  $\pm$  75 kHz Dev 800 mV

## AM TUNER SECTION [SR7500/SR8500]

Frequency Range.....531 - 1602 kHz [A/K/N]  
..... 520 - 1710 kHz [L/U]  
Signal to Noise Ratio..... 50 dB  
Usable Sensitivity..... Loop 400 $\mu$ V  
Distortion.....400 Hz, 30 % Mod. 0.5 %  
Selectivity .....  $\pm$  20 kHz 70 dB

## AUDIO SECTION

### [SR7500/PS7500]

Power Output (20 Hz - 20 kHz/THD=0.08%)  
Front L&R.....8 ohms 105 W / Ch  
Center .....8 ohms 105 W / Ch  
Surround L&R .....8 ohms 105 W / Ch  
Surround Back .....8 ohms 105 W / Ch  
  
Front L&R.....6 ohms 130 W / Ch  
Center .....6 ohms 130 W / Ch  
Surround L&R .....6 ohms 130 W / Ch  
Surround Back .....6 ohms 130 W / Ch

### [SR8500/SR7500]

Power Output (20 Hz - 20 kHz/THD=0.08%)  
Front L&R.....8 ohms 110 W / Ch  
Center .....8 ohms 110 W / Ch  
Surround L&R .....8 ohms 110 W / Ch  
Surround Back .....8 ohms 110 W / Ch  
  
Front L&R.....6 ohms 145 W / Ch  
Center .....6 ohms 145 W / Ch  
Surround L&R .....6 ohms 145 W / Ch  
Surround Back .....6 ohms 145 W / Ch

Input Sensitivity/Impedance ..... 168 mV/ 47 kohms  
Signal to Noise Ratio  
Analog Input / Source Direct..... 105 dB  
Frequency Response  
Analog Input / Source Direct..... 8 Hz - 100 kHz ( $\pm$  3 dB)  
Digital Input / 96 kHz PCM..... 8 Hz - 45 kHz ( $\pm$  3 dB)

## VIDEO

Television Format ..... NTSC/PAL  
Input Level/Impedance ..... 1 Vp-p/75 ohms  
Output Level/Impedance ..... 1 Vp-p/75 ohms  
Video Frequency Response .....5 Hz to 8 MHz (- 1 dB)  
Video Frequency (Component) .....5 Hz to 80 MHz (- 1 dB)  
S/N ..... 60 dB

## GENERAL

Power Requirement.....AC 240 V 50/60 Hz [A]  
.....AC 100 V 50/60 Hz [F]  
.....AC 220 V 50 Hz [K]  
.....AC 110 V 60 Hz [L]  
.....AC 230 V 50 Hz [N]  
.....AC 120 V 60 Hz [U]  
Power Consumption ..... 600 W [SR7500/PS7500]  
..... 620 W [SR8500/PS8500]  
Weight .....14.8 kg (32.6 lbs) [SR7500/PS7500]  
.....15.0 kg (33.1 lbs) [SR8500/PS8500]

## ACCESSORIES

Remote Control Unit RC8500SR ..... 1  
AAA-size batteries..... 3  
Microphone MC-10..... 1  
Front AUX Jack Cover ..... 1  
AC cable..... 1  
FM Antenna [SR7500/SR8500]..... 1  
AM Loop Antenna [SR7500/SR8500] ..... 1

**The relation between the selected surround mode and the input signal**

The surround mode is selected with the surround mode buttons on SR7500/SR8500/PS7500/PS8500 or the remote control unit. However, the sound you hear is subject to the relationship between the selected surround mode and input signal. That relationship is as follows;

Surround Mode	Input Signal	Decoding	Output Channel					Front information display	
			L/R	C	SL SR	SBL SBR	SubW	Signal format indicators	Channel status
AUTO	Dolby Surr. EX	Dolby Digital EX	○	○	○	○	○	□□ DIGITAL EX	L, C, R, SL, SR, S, LFE
	Dolby D (5.1ch)	Dolby Digital 5.1	○	○	○	-	○	□□ DIGITAL	L, C, R, SL, SR, LFE
	Dolby D(2ch)	Dolby Digital 2.0	○	-	-	-	-	□□ DIGITAL	L, R
	Dolby D (2ch Surr)	Pro Logic IIx movie	○	○	○	○	-	□□ DIGITAL , □□ SURROUND	L, R, S
	DTS-ES	DTS-ES	○	○	○	○	○	dts, ES	L, C, R, SL, SR, S, LFE
	DTS 96/24	DTS 96/24	○	○	○	-	○	dts 96/24	L, C, R, SL, SR, LFE
	DTS (5.1ch)	DTS 5.1	○	○	○	-	○	dts	L, C, R, SL, SR, LFE
	PCM(Audio)	PCM (Stereo)	○	-	-	-	-	PCM	L, R
	PCM 96kHz	PCM (96kHz Stereo)	○	-	-	-	-	PCM	L, R
	HDCD*	Stereo	○	-	-	-	-	PCM, HDCD	L, R
Analog	Stereo	○	-	-	-	-	ANALOG	-	
PURE DIRECT	Dolby D Surr. EX	Dolby Digital EX	○	○	○	○	○	□□ DIGITAL EX	L, C, R, SL, SR, S, LFE
	Dolby D (5.1ch)	Dolby Digital 5.1	○	○	○	-	○	□□ DIGITAL	L, C, R, SL, SR, LFE
	Dolby D (2ch)	Dolby Digital 2.0	○	-	-	-	-	□□ DIGITAL	L, R
	Dolby D (2ch Surr)	Pro Logic IIx movie	○	○	○	○	-	□□ DIGITAL , □□ SURROUND	L, R, S
	DTS-ES	DTS-ES	○	○	○	○	○	dts, ES	L, C, R, SL, SR, S, LFE
	DTS 96/24	DTS 96/24	○	○	○	-	○	dts 96/24	L, C, R, SL, SR, LFE
	DTS (5.1ch)	DTS 5.1	○	○	○	-	○	dts	L, C, R, SL, SR, LFE
	PCM (Audio)	PCM (Stereo)	○	-	-	-	-	PCM	L, R
	PCM 96kHz	PCM (96kHz Stereo)	○	-	-	-	-	PCM	L, R
	HDCD*	Stereo	○	-	-	-	-	PCM, HDCD	L, R
Analog	Stereo	○	-	-	-	-	ANALOG	-	
EX/ES	Dolby D Surr. EX	Dolby Digital EX	○	○	○	○	○	□□ DIGITAL EX	L, C, R, SL, SR, S, LFE
	Dolby D (5.1ch)	Dolby Digital EX	○	○	○	○	○	□□ DIGITAL	L, C, R, SL, SR, LFE
	DTS-ES	DTS-ES	○	○	○	○	○	dts, ES	L, C, R, SL, SR, S, LFE
	DTS 96/24	DTS-ES	○	○	○	○	○	dts 96/24	L, C, R, SL, SR, LFE
	DTS(5.1ch)	DTS-ES	○	○	○	○	○	dts	L, C, R, SL, SR, LFE
DOLBY (PL IIx movie) (PL IIx music) (PL IIx game)	Dolby D Surr. EX	Dolby Digital 5.1	○	○	○	○	○	□□ DIGITAL EX	L, C, R, SL, SR, S, LFE
	Dolby D (5.1ch)	Dolby Digital 5.1	○	○	○	○	○	□□ DIGITAL	L, C, R, SL, SR, LFE
	Dolby D (2ch)	Pro Logic IIx	○	○	○	○	-	□□ DIGITAL	L, R
	Dolby D (2ch Surr)	Pro Logic IIx	○	○	○	○	-	□□ DIGITAL , □□ SURROUND	L, R, S
	PCM (Audio)	Pro Logic IIx	○	○	○	○	-	PCM	L, R
	HDCD*	Pro Logic IIx	○	○	○	○	-	PCM, HDCD	L, R
Analog	Pro Logic IIx	○	○	○	○	-	ANALOG	-	
DTS (Neo:6 Cinema) (Neo:6 Music)	DTS-ES	DTS 5.1	○	○	○	-	○	dts, ES	L, C, R, SL, SR, S, LFE
	DTS 96/24	DTS 96/24	○	○	○	-	○	dts 96/24	L, C, R, SL, SR, LFE
	DTS (5.1ch)	DTS 5.1	○	○	○	-	○	dts	L, C, R, SL, SR, LFE
	PCM (Audio)	Neo:6	○	○	○	○	-	PCM	L, R
	Analog	Neo:6	○	○	○	○	-	ANALOG	-
	Dolby D (2ch)	Neo:6	○	○	○	○	-	□□ DIGITAL	L, R
Dolby D (2ch Surr)	Neo:6	○	○	○	○	-	□□ DIGITAL , □□ SURROUND	L, R, S	
CS II Cinema CS II Music CS II Mono	PCM (Audio)	CS II	○	○	○	○	○	PCM	L, R
	HDCD*	CS II	○	○	○	○	○	PCM, HDCD	L, R
	Analog	CS II	○	○	○	○	○	ANALOG	-
	Dolby D (2ch)	CS II	○	○	○	○	○	□□ DIGITAL	L, R
Dolby D (2ch Surr)	CS II	○	○	○	○	○	□□ DIGITAL , □□ SURROUND	L, R, S	
STEREO	Dolby Surr. EX	Stereo	○	-	-	-	○	□□ DIGITAL EX	L, C, R, SL, SR, S, LFE
	Dolby D (5.1ch)	Stereo	○	-	-	-	○	□□ DIGITAL	L, C, R, SL, SR, LFE
	Dolby D (2ch)	Stereo	○	-	-	-	-	□□ DIGITAL	L, R
	Dolby D (2ch Surr)	Stereo	○	-	-	-	○	□□ DIGITAL , □□ SURROUND	L, R, S
	DTS-ES	Stereo	○	-	-	-	○	dts, ES	L, C, R, SL, SR, S, LFE
	DTS 96/24	Stereo	○	-	-	-	○	dts 96/24	L, C, R, SL, SR, LFE
	DTS (5.1ch)	Stereo	○	-	-	-	○	dts	L, C, R, SL, SR, LFE
	PCM (Audio)	Stereo	○	-	-	-	-	PCM	L, R
	PCM 96kHz	Stereo	○	-	-	-	-	PCM	L, R
	HDCD*	Stereo	○	-	-	-	-	PCM, HDCD	L, R
Analog	Stereo	○	-	-	-	-	ANALOG	-	

\*: SR8500 only  
\*: PS8500 only

Surround Mode	Input Signal	Decoding	Output Channel					Front information display	
			L/R	C	SL SR	SBL SBR	SubW	Signal format indicators	Channel status
Virtual	Dolby Surr. EX	Virtual	○	-	-	-	-	□□ DIGITAL EX	L, C, R, SL, SR, S, LFE
	Dolby D (5.1ch)	Virtual	○	-	-	-	-	□□ DIGITAL	L, C, R, SL, SR, LFE
	Dolby D (2ch)	Virtual	○	-	-	-	-	□□ DIGITAL	L, R
	Dolby D (2ch Surr)	Virtual	○	-	-	-	-	□□ DIGITAL, □□ SURROUND	L, R, S
	DTS-ES	Virtual	○	-	-	-	-	dts, ES	L, C, R, SL, SR, LFE
	DTS (5.1ch)	Virtual	○	-	-	-	-	dts	L, C, R, SL, SR, LFE
	PCM (Audio)	Virtual	○	-	-	-	-	PCM	L, R
	HDCD*	Virtual	○	-	-	-	-	PCM, HDCD	L, R
Analog	Virtual	○	-	-	-	-	ANALOG	-	
Multi Ch. Stereo	Dolby Surr. EX	Multi Channel Stereo	○	○	○	○	○	□□ DIGITAL EX	L, C, R, SL, SR, S, LFE
	Dolby D (5.1ch)	Multi Channel Stereo	○	○	○	-	○	□□ DIGITAL	L, C, R, SL, SR, LFE
	Dolby D (2ch)	Multi Channel Stereo	○	○	○	○	-	□□ DIGITAL	L, R
	Dolby D (2ch Surr)	Multi Channel Stereo	○	○	○	○	-	□□ DIGITAL, □□ SURROUND	L, R, S
	DTS-ES	DTS-ES	○	○	○	○	○	dts, ES	L, C, R, SL, SR, S, LFE
	DTS (5.1ch)	DTS 5.1	○	○	○	-	○	dts	L, C, R, SL, SR, LFE
	PCM (Audio)	Multi Channel Stereo	○	○	○	○	-	PCM	L, R
	HDCD*	Multi Channel Stereo	○	○	○	○	-	PCM, HDCD	L, R
Analog	Multi Channel Stereo	○	○	○	○	-	ANALOG	-	
THX	Dolby Surr. EX	THX Surround EX + Dolby Digital	○	○	○	○	○	□□ DIGITAL EX	L, C, R, SL, SR, S, LFE
	Dolby D (5.1ch)	THX + Dolby Digital	○	○	○	-	○	□□ DIGITAL	L, C, R, SL, SR, LFE
	Dolby D (2ch)	THX + Pro Logic IIx	○	○	○	○	-	□□ DIGITAL	L, R
	Dolby D (2ch Surr)	THX + Pro Logic IIx	○	○	○	○	-	□□ DIGITAL, □□ SURROUND	L, R, S
	DTS-ES	THX + DTS-ES	○	○	○	○	○	dts, ES	L, C, R, SL, SR, S, LFE
	DTS 96/24	THX + DTS	○	○	○	-	○	dts 96/24	L, C, R, SL, SR, LFE
	DTS (5.1ch)	THX + DTS	○	○	○	-	○	dts	L, C, R, SL, SR, LFE
	PCM (Audio)	THX + Pro Logic IIx	○	○	○	○	-	PCM	L, R
HDCD*	THX + Pro Logic IIx	○	○	○	○	-	PCM, HDCD	L, R	
Analog	THX + Pro Logic IIx	○	○	○	○	-	ANALOG	-	

\*: SR8500 only

\*: PS8500 only

**Note:**

- Dolby Digital (2 ch: Lt/Rt): signal with Dolby Surround flag Speakers are full set.
- No sound outputs from the surround speaker, center speaker and subwoofer if the DVD disc has no surround data.

- Dolby Digital (2ch Surr) :

ドルビーサラウンド処理されたドルビーデジタル2ch信号

- \* : サブウーファー他のスピーカーのLarge/Smallによってサブウーファー出力は異なります。

**Abbreviations**

- L/R : Front speakers
- C : Center speaker
- SL/SR : Surround speakers
- SBL/SBR : Surround Back speakers
- SubW : Sub woofer speaker

- L/R : フロントスピーカー
- C : センタースピーカー
- SL/SR : サラウンドスピーカー
- SBL/SBR : サラウンドバックスピーカー
- SubW : サブウーファースピーカー

## 2. TECHNICAL DESCRIPTION



THX® is an exclusive set of standards and technologies established by the world-renowned film production company, Lucasfilm Ltd. THX resulted from George Lucas' desire to reproduce the movie soundtrack as faithfully as possible both in the movie theater and in the home theater.

THX engineers developed patented technologies to accurately translate the sound from a movie theater environment into the home, correcting the tonal and spatial errors that occur.

When the THX mode of the SR7500 is on, three distinct THX technologies are automatically added:

Re-Equalization-restores the correct tonal balance for watching a movie in a home environment.

These sounds are otherwise mixed to be brighter for a large movie theater. Re-EQ compensates for this and prevents the soundtracks from being overly bright and harsh when played in a home theater.

Timbre Matching-filters the information going to the surround speakers so they more closely match the tonal characteristics of the sound coming from the front speakers.

This ensures seamless panning between the front and surround speakers.

Adaptive Decorrelation-slightly changes one surround channel's time and phase relationship with respect to the other surround channel.

This expands the listening position and creates with only two surround speakers the same spacious surround experience as in a movie theater with multiple surround speakers.

The Marantz SR7500 was required to pass a rigorous series of quality and performance tests, in addition to incorporating the technologies explained above, in order to be THX certified by Lucasfilm Ltd.

THX requirements cover every aspect of performance including pre-amplifier and power amplifier performance and operation, and hundreds of other parameters in both the digital and analog domain.

Movies which have been encoded in Dolby Digital, DTS, Dolby Pro Logic, stereo and Mono will all benefit from the THX mode when being viewed.

The THX mode should only be activated when watching movies which were originally produced for a movie theater environment.

This is because they were originally mixed for a small room environment.

THX is a trademark or registered trademark of THX Ltd. Surround EX is a jointly developed technology of THX and Dolby Laboratories, Inc. and is a trademark of Dolby Laboratories, Inc. Used under authorization. All rights reserved.

## THX SURROUND EX

THX Surround EX—Dolby Digital Surround EX is a joint development of Dolby Laboratories and THX Ltd.

In a movie theater, film soundtracks that have been encoded with Dolby Digital Surround EX technology are able to reproduce an extra channel which has been added during the mixing of the program. This channel, called Surround Back, places sounds behind the listener in addition to the currently available front left, front center, front right, surround right, surround left and subwoofer channels. This additional channel provides the opportunity for more detailed imaging behind the listener and brings more depth, spacious ambience and sound localization than ever before. Movies that were created using the Dolby Digital Surround EX technology, when released into the home consumer market may exhibit wording to that effect on the packaging. A list of movies created using this technology can be found on the Dolby web site at [www.dolby.com](http://www.dolby.com). A list of available DVD software titles encoded with this technology can be found at [www.thx.com](http://www.thx.com).

Only receiver and controller products bearing the THX Surround EX logo, when in the THX Surround EX mode, faithfully reproduce this new technology in the home. This product may also engage the THX Surround EX mode during the playback of 5.1 channel material that is not Dolby Digital Surround EX encoded. In such case, the information delivered to the Surround Back channel will be program dependent and may or may not be very pleasing depending on the particular soundtrack and the tastes of the individual listener.

"SURROUND EX™" is a trademark of Dolby Laboratories. Used under authorization.



DTS was introduced in 1994 to provide 5.1 channels of discrete digital audio into home theater systems.

DTS brings you premium quality discrete multichannel digital sound to both movies and music.

DTS is a multichannel sound system designed to create full range digital sound reproduction.

The no compromise DTS digital process sets the standard of quality for cinema sound by delivering an exact copy of the studio master recordings to neighborhood and home theaters.

Now, every moviegoer can hear the sound exactly as the moviemaker intended.

DTS can be enjoyed in the home for either movies or music on of DVD's, LD's, and CD's.

"DTS" and "DTS Digital Surround" are registered trademarks of Digital Theater Systems, Inc.



The advantages of discrete multichannel systems over matrix are well known.

But even in homes equipped for discrete multichannel, there remains a need for high-quality matrix decoding. This is because of the large library of matrix surround motion pictures available on disc and on VHS tape; and analog television broadcasts.

The typical matrix decoder of today derives a center channel and a mono surround channel from two-channel matrix stereo material. It is better than a simple matrix in that it includes steering logic to improve separation, but because of its mono, band-limited surround it can be disappointing to users accustomed to discrete multichannel.

Neo:6 offers several important improvements as follow,

- Neo:6 provides up to six full-band channels of matrix decoding from stereo matrix material. Users with 6.1 and 5.1 systems will derive six and five separate channels, respectively, corresponding to the standard home-theater speaker layouts.
- Neo:6 technology allows various sound elements within a channel or channels to be steered separately, and in a way which follows naturally from the original presentation.

the subtlety and integrity of the original stereo recording.



DTS-ES Extended Surround is a new multichannel digital signal format developed by Digital Theater Systems Inc. While offering high compatibility with the conventional DTS Digital Surround format, DTS-ES Extended Surround greatly improves the 360-degree surround impression and space expression thanks to further expanded surround signals. This format has been used professionally in movie theaters since 1999.

In addition to the 5.1 surround channels (FL, FR, C, SL, SR and LFE), DTS-ES Extended Surround also offers the SB (Surround Back) channel for surround playback with a total of 6.1 channels. DTS-ES Extended Surround includes two signal formats with different surround signal recording methods, as DTS-ES Discrete 6.1 and DTS-ES Matrix 6.1.

"DTS", "DTS-ES" and "Neo:6" are trademarks of Digital Theater Systems, Inc.



The stereo CD is a 16-bit medium with sampling at 44.1 kHz. Professional audio has been 20- or 24-bit for some time, and there is increasing interest in higher sampling rates both for recording and for delivery into the home. Greater bit depths provide extended dynamic range. Higher sampling rates allow wider frequency response and the use of anti-alias and reconstruction filters with more favorable aural characteristics.

DTS 96/24 allows for 5.1 channel sound tracks to be encoded at a rate of 96kHz/24bits on DVD-Video titles.

When DVD-video appeared, it became possible to deliver 24-bit, 96 kHz audio into the home, but only in two channels, and with serious limitations on picture. This capability has had little use.

DVD-audio allows 96/24 in six channels, but a new player is needed, and only analog outputs are provided, necessitating the use of the D/A converters and analog electronics provided in the player.

DTS 96/24 offers the following:

1. Sound quality transparent to the original 96/24 master.
2. Full backward compatibility with all existing decoders. (Existing decoders will output a 48 kHz signal)
3. No new player required: DTS 96/24 can be carried on DVD-video, or in the video zone of DVD-audio, accessible to all DVD players.
4. 96/24 5.1-channel sound with full-quality full-motion video, for music programs and motion picture soundtracks on DVD-video.

“DTS” and “DTS 96/24” are trademarks of Digital Theater Systems, Inc.



Dolby Digital identifies the use of Dolby Digital audio coding for such consumer formats as DVD and DTV. As with film sound, Dolby Digital can provide up to five full-range channels for left, center, and right screen channels, independent left and right surround channels, and a sixth (“1”) channel for low-frequency effects.

Dolby Surround Pro Logic II is an improved matrix decoding technology that provides better spatiality and directionality on Dolby Surround program material; provides a convincing three-dimensional soundfield on conventional stereo music recordings; and is ideally suited to bring the surround experience to automotive sound. While conventional surround programming is fully compatible with Dolby Surround Pro Logic II decoders, soundtracks will be able to be encoded specifically to take full advantage of Pro Logic II playback, including separate left and right surround channels. (Such material is also compatible with conventional Pro Logic decoders.)

Dolby Digital EX creates six full-bandwidth output channels from 5.1-channel sources. This is done using a matrix decoder that derives three surround channels from the two in the original recording. For best results, Dolby Digital EX should be used with movies soundtracks recorded with Dolby Digital Surround EX.

### ***About Dolby Pro Logic IIx***

Dolby Pro Logic IIx technology delivers a natural and immersing 7.1-channel listening experience to the home theater environment. A product of Dolby's expertise in surround sound and matrix decoding technologies, Dolby Pro Logic IIx is a complete surround sound solution that maximizes the entertainment experience from stereo as well as 5.1-channel encoded sources.

Dolby Pro Logic IIx is fully compatible with Dolby Surround Pro Logic technology and can optimally decode the thousands of commercially available Dolby Surround encoded video cassettes and television programs with enhanced depth and spatiality. It can also process any high-quality stereo or Advanced Resolution 5.1-channel music content into a seamless 6.1- or 7.1-channel listening experience.



The Dolby Headphone technology provides a surround sound listening experience over headphones. When listening to multichannel content such as DVD movies over headphones, the listening experience is fundamentally different than listening to speakers. Since the headphone speaker drivers are covering the pinna of the ear, the listening experience differs greatly from traditional speaker playback. Dolby utilizes patented headphone perspective curves to solve this problem and provides a non-fatiguing, immersive, home theater listening experience. Dolby Headphone also delivers exceptional 3D audio from stereo material.


Manufactured under license from Dolby Laboratories. “Dolby”, “Pro Logic”, and the double-D symbol are trademarks of Dolby Laboratories.





Circle Surround II (CS-II) is a powerful and versatile multichannel technology. CS-II is designed to enable up to 6.1 multichannel surround sound playback from mono, stereo, CS encoded sources and other matrix encoded sources. In all cases the decoder extends it into 6 channels of surround audio and a LFE/subwoofer signal. The CS-II decoder creates a listening environment that places the listener "inside" music performances and dramatically improves both hi-fi audio conventional surround-encoded video material. CS-II provides composite stereo rear channels to greatly improve separation and image positioning—adding a heightened sense of realism to both audio and A/V productions.

CS-II is packed with other useful feature like dialog clarity (SRS Dialog) for movies and cinema-like bass enrichment (TruBass). CS-II can enable the dialog to become clearer and more discernable in movies and it enables the bass frequencies contained in the original programming to more closely achieve low frequencies—overcoming the low frequency limitations of the speakers by full octave.

Circle Surround II, Dialog Clarity, TruBass, SRS and  symbol are trademarks of SRS Labs, Inc. Circle Surround II, Dialog Clarity and TruBass technology are incorporated under license from SRS Labs, Inc.

HDCD system manufactured under license from Microsoft. This product is covered by one or more of the following: In the United States 5,479,168 5,638,074 5,640,161 5,808,574 5,838,274 5,854,600 5,864,311 5,872,531 and in Australia 669,114 with other patents pending.

Microsoft®



(SR8500 only)

HDCD® (High Definition Compatible Digital®) is a patented process for delivering on Compact Disc the full richness and details of the original microphone feed.

HDCD encoded CDs sound better because they are encoded with 20-bits of real musical information as compared to 16-bits for all other CDs.

HDCD overcomes the limitation of the 16-bit CD format by using a sophisticated system to encode the additional four bits onto the CD while remaining completely compatible with the CD format.

When listening to HDCD recordings, you hear more dynamic range, a focused 3-D sound stage, and extremely natural vocal and musical timbre. With HDCD, you get the body, depth and emotion of the original performance not a flat, digital imitation.

### 3. POWER AMPLIFIER ADJUSTMENT

#### Idling Current Alignment

1. Each of the measurement points are provided with the two test points. Set a digital Voltage meter to DC voltage input, connect the meter to the test points at both contact points.
2. After the setup above, turn on the main switch.
3. Adjust variable resistors (VR41, VR42...VR71) according to the digital voltmeter readings. The target setting value is the following table for each channel.

Settings: Master Volume — Minimum

Speaker out — No Load

Top lid — OPEN

Channel	Alignment Point	Measurement Point
Front L	VR41	CN41
Center	VR61	CN61
Front R	VR51	CN51
Surround L	VR42	CN42
Surround R	VR52	CN52
Surround Back L	VR62	CN62
Surround Back R	VR71	CN71

#### Time Table of Idling Current Rise

After Turning ON	Ambient temperature 20 to 30 degrees centigrade
	Measurement Voltage
10 min.	2.4 mV ± 0.3 mV
20 min.	2.4 mV ± 0.3 mV
30 min.	2.4 mV ± 0.3 mV

#### 4. SERVICE MODE

Microprocessor (IC36), DSP(IC20 )Version and FLD Segment Check Mode.

- While the power is on, **PURE DIRECT, MRAC** and **7.1CH INPUT** buttons simultaneously more than 3 seconds. The FL display shows "SERVICE MODE" for 2 seconds then shows the model name.

S	E	R	V	I	C	E		M	O	D	E	
---	---	---	---	---	---	---	--	---	---	---	---	--

			S	R	8	5	0	0				
--	--	--	---	---	---	---	---	---	--	--	--	--

- Press **ENTER** button, The software version of the microprocessor (IC36) is displayed in the format below.

V	0	4	0	8	0	5		1	U			
└─Year─┘		└─Month─┘		└─Date─┘				└─Dest.─┘				
								(Dest. : Destination)				

- Press **ENTER** button again, The software Serial Number that is written in the factory is displayed.

M	Z	X	X	X	X	X	X	X	X	X	X	X
---	---	---	---	---	---	---	---	---	---	---	---	---

- Press **ENTER** button again, The software Type Number is displayed.

S	O	F	T		T	Y	P	E			X	X
(XX is displayed in Hex)												

- Press **ENTER** button again, The Code Group Type Number is displayed.

C	O	D	E		T	Y	P	E	X	X	X	X
(XXXX is displayed in Hex)												

- Press **ENTER** button again, The left half, right half and center of the label area in the FLD light on and off each other.
- Press **ENTER** button again, The segments of the character area in the FLD flick in checker pattern.
- Press **ENTER** button again, All the FL segments turns off.
- Press **ENTER** button again. Every time **ENTER** button is pressed, DSP code is indicated in turn from NO.1 to NO.28.

C	D	0	1		0	1	0	2	0	1	0	1
└─No.─┘		└─Dev.─┘		└─SIG─┘		└─TYP─┘		└─Ver.─┘				

No. : DISP CODE ID Dev. : Device ID SIG. : CODE SIG ID  
TYP. : CODE TYPE ID Ver. : Version

- Press **ENTER** button again to quit this mode.

#### 4. SERVICE MODE

Microprocessor (IC36), DSP(IC20 )の Version 表示及び FL 点燈を確認するモードです。

- セットの電源を入れます。 **PURE DIRECT、MRAC、7.1CH INPUT** のボタンを同時に約 3 秒以上押します。 "SERVICE MODE" と表示が出ます。更に約 2 秒後に機種名が表示されます。

S	E	R	V	I	C	E		M	O	D	E	
---	---	---	---	---	---	---	--	---	---	---	---	--

			S	R	8	5	0	0				
--	--	--	---	---	---	---	---	---	--	--	--	--

- ENTER** ボタンを押します。マイコン(IC36)のバージョンが次のように表示されます。

V	0	4	0	8	0	5		1	U			
└─Year─┘		└─Month─┘		└─Date─┘				└─Dest.─┘				
								(Dest. : 仕向け)				

- ENTER** ボタンを押します。工場で書き込み済みの Software Serial No. が表示されます

M	Z	X	X	X	X	X	X	X	X	X	X	X
---	---	---	---	---	---	---	---	---	---	---	---	---

- ENTER** ボタンを押します。マイコン (IC36) の Software Type が表示されます。

S	O	F	T		T	Y	P	E			X	X
(XX: Hex数字表示)												

- ENTER** ボタンを押します。Code Group Type が表示されます。

C	O	D	E		T	Y	P	E	X	X	X	X
(XXXX: Hex数字表示)												

- ENTER** ボタンを押します。FL 表示の右、左、中央部分が交互に点燈を繰り返します。
- ENTER** ボタンを押します。FL の Character 部分が点滅します。
- ENTER** ボタンを押します。FL が全消灯します。
- ENTER** ボタンを押します。**ENTER** ボタンを押す度に DSP Code ID が NO.1 から NO.28 まで順に表示されます。

C	D	0	1		0	1	0	2	0	1	0	1
└─No.─┘		└─Dev.─┘		└─SIG─┘		└─TYP─┘		└─Ver.─┘				

No. : DISP CODE ID Dev. : Device ID SIG. : CODE SIG ID  
TYP. : CODE TYPE ID Ver. : Version

- ENTER** ボタンを押します。サービスモードは解除されます。



## 5. SYSTEM ERROR

When the microcomputer detects a trouble, the following information is displayed on the FLD.

- After the error contents indication, Surround Mode is initialized and returned Factory mode.
- The contents of the ERROR indication are the followings.

### 1. Trouble in DSP

If communication with DSP is troubled more than 2 seconds.

C	H	E	C	K		D	S	P		R	O	M
---	---	---	---	---	--	---	---	---	--	---	---	---

Indication is keep and sound is mute.

### 2. Trouble in DSP Code

The trouble of DSP Code was found.

C	H	E	C	K		D	S	P		R	O	M
---	---	---	---	---	--	---	---	---	--	---	---	---

### 3. Trouble in EEPROM

If data from EEPROM does not match.

C	H	E	C	K		E	2	P				
---	---	---	---	---	--	---	---	---	--	--	--	--

### 4. Trouble in EEPROM IF

If communication with EEPROM is troubled more than 2 seconds.

C	H	E	C	K		E	2	P		I	F	
---	---	---	---	---	--	---	---	---	--	---	---	--

### 5. Trouble in RS-232C

If communication of Panja with RS232C is troubled more than 2 seconds.

C	H	E	C	K		2	3	2	C			
---	---	---	---	---	--	---	---	---	---	--	--	--

### 6. Trouble in 5V Supply

If 5V supply to DATA DIR is troubled.

C	H	E	C	K		P	O	W	5			
---	---	---	---	---	--	---	---	---	---	--	--	--

### 7. Trouble in Protection

CPU turns off the speaker output.

P	R	O	T	E	C	T						
---	---	---	---	---	---	---	--	--	--	--	--	--

## 5. SYSTEM ERROR

製品内部での異常発生時に処理、表示を行います。主に各 Device との通信異常を検出します。

- ・ ERROR 表示後、Surround Mode は初期化され工場出荷の状態に戻ります。
- ・ ERROR 表示の内容は下記です。

### 1. DSP 異常検出表示。

DSP との通信上の不具合を約 2 秒検出した時。

C	H	E	C	K		D	S	P		R	O	M
---	---	---	---	---	--	---	---	---	--	---	---	---

表示状態はそのままで音声は Mute 状態

### 2. DSP Code 異常検出表示。

DSP Code の異常を検出した時。

C	H	E	C	K		D	S	P		R	O	M
---	---	---	---	---	--	---	---	---	--	---	---	---

### 3. EEPROM 異常検出表示。

EEP-ROM Data の不整合を検出した時。

C	H	E	C	K		E	2	P				
---	---	---	---	---	--	---	---	---	--	--	--	--

### 4. EEPROM IF 異常検出表示。

EEP-ROM との通信不具合が約 2 秒以上生じた時。

C	H	E	C	K		E	2	P		I	F	
---	---	---	---	---	--	---	---	---	--	---	---	--

### 5. RS-232C 異常検出表示。

Panja 通信時に RS-232C との通信不具合を約 2 秒以上検出した時。

C	H	E	C	K		2	3	2	C			
---	---	---	---	---	--	---	---	---	---	--	--	--

### 6. 5V 異常検出表示。

DATA DIR. の異常を検出した時。

C	H	E	C	K		P	O	W	5			
---	---	---	---	---	--	---	---	---	---	--	--	--

### 7. Protection 信号異常検出表示。

Speaker からを出力を止めます。

P	R	O	T	E	C	T						
---	---	---	---	---	---	---	--	--	--	--	--	--

## 6. UPDATE FIRMWARE

Software for CPU and DSP can be updated.

Have update application software. ("UpgradeDSP.exe" and "H8Download.exe")

There are two mode of download, regarding to the target of software as bellow.

### Mode 1: Update DSP's software to Flash-ROM.

This mode is to update the software for DSP.

The target devise is Flash-ROM (IC20) on CUP11762Z (DSP PCB).

The Unit needs to be set update condition, by three front keys.

### Mode 2: Update CPU's software to internal Flash-ROM.

This mode is to update the software for DSP.

The target devise is internal flash ROM of CPU (IC36) on CUP11762Z (DSP PCB).

The Unit needs to be set to writing condition, by pushing internal switch from back-panel.

The following items are required for updating.

RS232C Dsub-9 pin cable (female to female/Straight type)

Windows PC (98, NT, ME, 2000) with RS-232C port.

Update software to CPU.

Update software to DSP.

Use RS232C Dsub-9 pin cable (female to female/Straight type) to connect PC and the unit.

COM port on PC needs to be set by dialog box for each program. COM port can be set from COM1 to COM5.

### Download Firmware for DSP (Mode 1)

1. Put the "DSP upgrade" folder into anywhere on your PC's hard disc.

## 6. UPDATE FIRMWARE

CPU および DSP ソフトウェアのアップデートを行います。

ソフトウェアのアップデートには UpgradeDSP.exe と H8Download.exe が必要です。

アップデートには次の二つのモードがあります。

### Mode 1: DSP 用 Flash-ROM のアップデート

このモードは DSP のソフトウェアをアップデートするモードです。

CUP11762(DSP PCB) の基板上にある Flash-ROM (IC20) のソフトウェアをアップデートします。

本機 [PS7500 / PS8500] のフロントパネルにある 3 つのボタンを押してアップデートモードにします。

### Mode 2: CPU の内部 Flash-ROM のアップデート

このモードは CPU のソフトウェアをアップデートするモードです。

CUP11762(DSP PCB) の基板上にある CPU(IC36) の内部 Flash-ROM のソフトウェアをアップデートします。

本機 [PS7500 / PS8500] のリアパネルから内部スイッチを押してアップデートモードにします。

アップデートには下記の機器が必要です。(必要機器)

RS-232C ストレートケーブル (9Pin メス -9Pin メス)

Windows PC Serial Port 付き (OS: 98,NT,ME,2000)

CPU 用アップデートソフトウェア

DSP 用アップデートソフトウェア

RS-232C ケーブルで本機と接続する PC の COM ポート番号を設定してください。

COM ポート番号は COM1 から COM5 まで設定できます。

### DSP のアップデート方法 (Mode 1)

1. "DSP upgrade" フォルダを PC のハードディスクにコピーします。



2. Connect PC and the unit with the RS-232C cable.

3. Turn on the unit.

2. 本機と PC を RS-232C で接続します。

3. 本機の電源を入れます。

4. [SR7500 / SR8500]  
Press **ENTER**, **SURROUND MODE** and **T-MODE** buttons simultaneously more than 5 seconds to turn the unit into Loading Mode.

[PS7500 / PS8500]

Press **ENTER**, **SURROUND MODE** and **SLEEP** buttons simultaneously more than 5 seconds to turn the unit into Loading Mode.

5. "LOADING MODE" will be shown on FLD.

6. Launch "UpgradeDSP.exe" on PC.

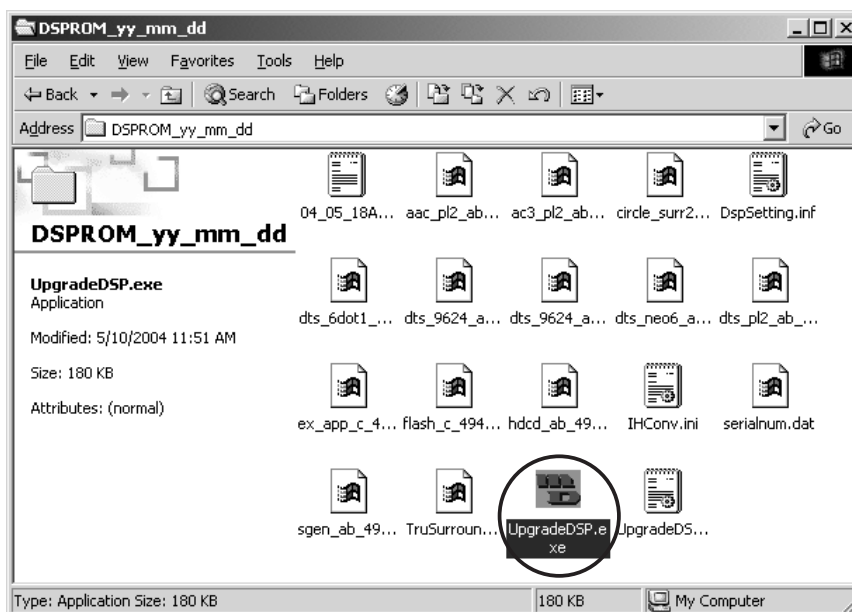
**Note:** yy\_mm\_dd is release date of software.

4. **ENTER**, **SURROUND MODE**, **SLEEP** の3つのボタンを同時に5秒以上押し続けて Loading Mode にします。[PS7500 / PS8500]

5. FL ディスプレイに "LOADING MODE" と表示されます。

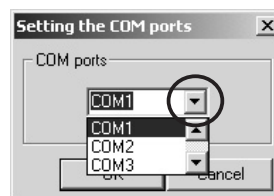
6. PC から "UpgradeDSP.exe" をダブルクリックして起動します。

**注記:** ファイル名の yy\_mm\_dd はソフトウェアの発行日をあらわします。



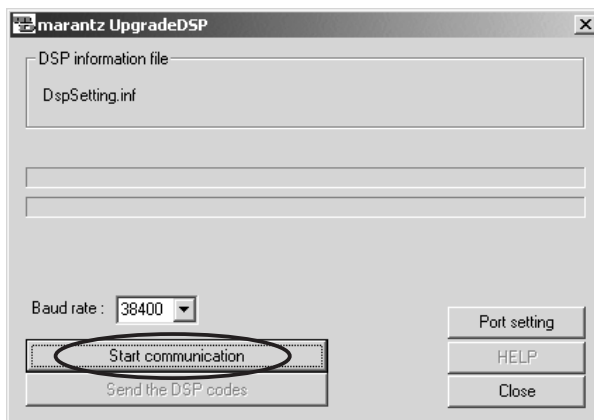
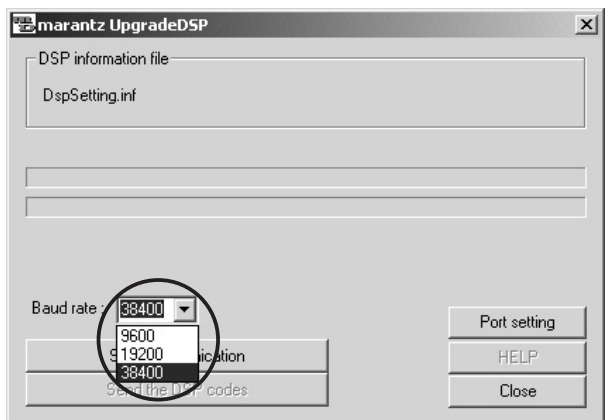
7. Click **Port setting**, and select the COM Port No.

7. **Port setting** をクリックし、COM ポート番号を選択します。



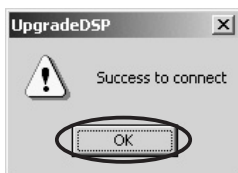
8. Set the Baud rate to 38400 then click **Start communication** button.

8. Baud rate を 38400 に設定し、**Start communication** をクリックします。



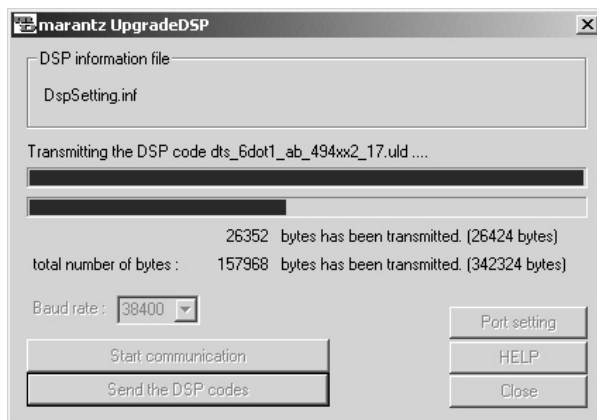
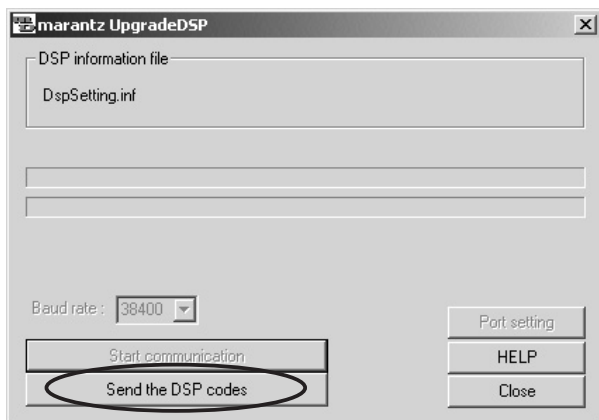
9. If the connection is made successfully, a dialog box saying "Success to connect" appears and "CONNECTED" is displayed on FLD.

9. 通信接続に成功すると下記のダイアログボックスが表示され、FL ディスプレイには "CONNECTED" が表示されます。



10. Click **Send the DSP codes** button on the dialog box. Progress status of updating will be shown on PC and LOADING is displayed on FLD.

10. **Send the DSP codes** をクリックします。アップデートのステータスバーが表示され、FL ディスプレイには "LOADING" が表示されます。

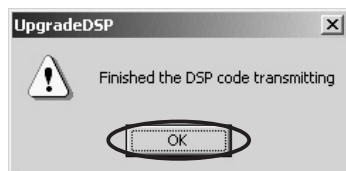


11. If updating is completed successfully, "COMPLETED" is displayed on FLD. And a dialog box saying "Finished the DSP code transmitting" appears.

11. アップデートが成功すると FL ディスプレイに "COMPLETED" と表示されます。同時に "Finished the DSP code transmitting" のダイアログボックスが表示されます。

12. Click **OK** and then Application is closed automatically.

12. **OK** をクリックすると自動的にアプリケーションが閉じます。



13. Turn off the unit.

13. 本機の電源を切ります。

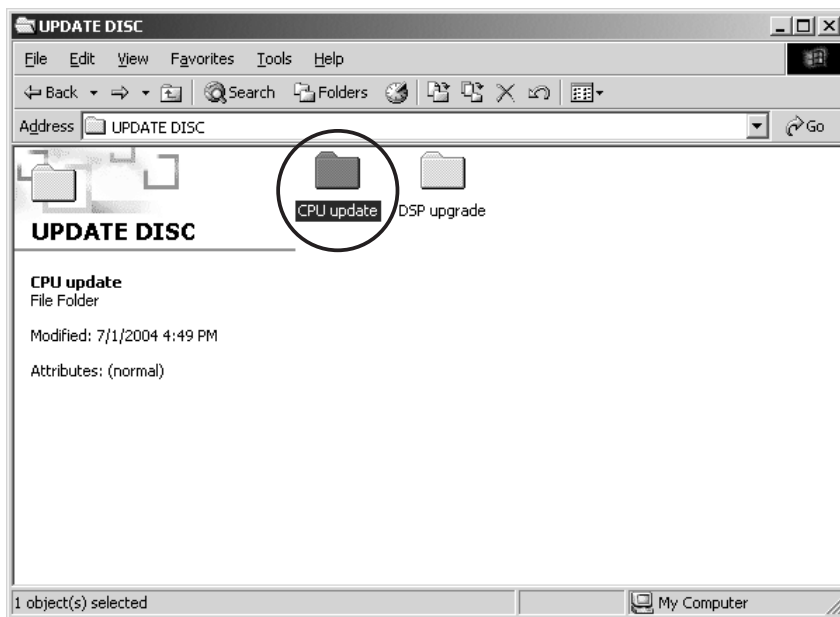


**Download Firmware for CPU (Mode 2)**

**CPU のアップデート方法 (Mode 2)**

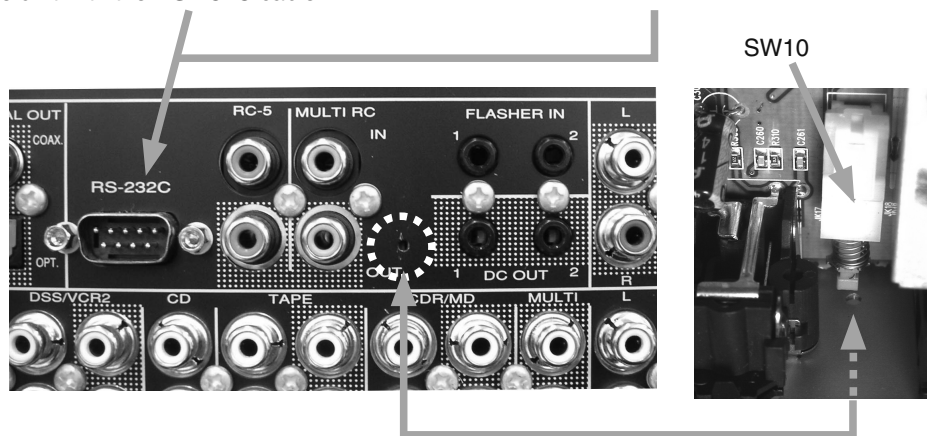
1. Put the "CPU update" folder into anywhere on your PC's hard disc.

1. "CPU update" フォルダを PC のハードディスクにコピーします。



2. Connect PC and the unit with the RS-232C cable.

2. 本機と PC を RS-232C で接続します。



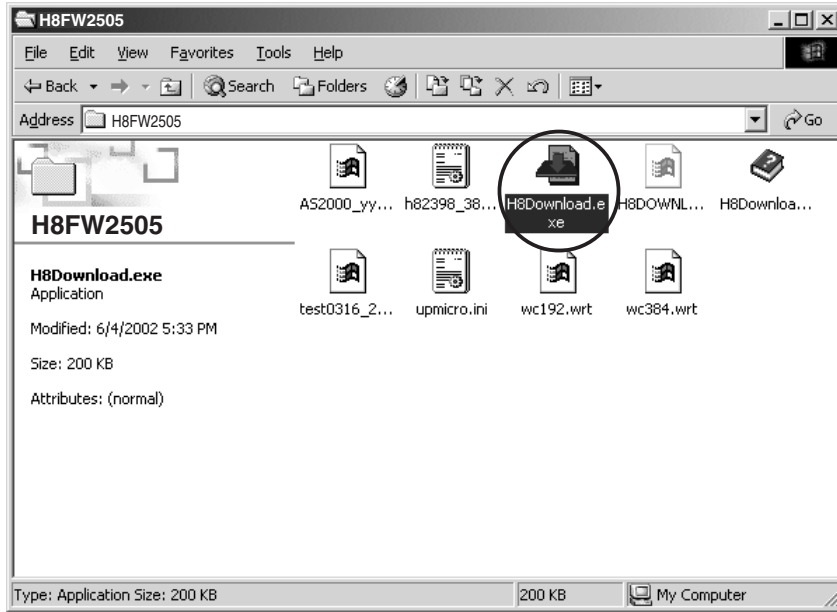
**Hole of rear panel**  
リアパネルにある穴

3. Insert a thin rot to the hole and push the switch (SW10) inside to turn on the switch.
4. Turn on the power of the unit.  
**Note:** When the unit is into boot mode, stand-by LED is not lights up.

3. 細い棒を使い本機のリアパネルにある穴からスイッチ (SW10) を押します。
4. 本機の電源を入れます。  
**注記:** 本機はブートモードになり、Stand-by LED は点灯しません。

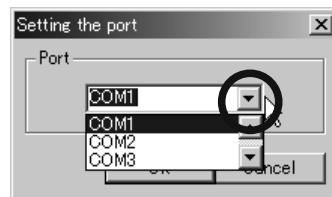
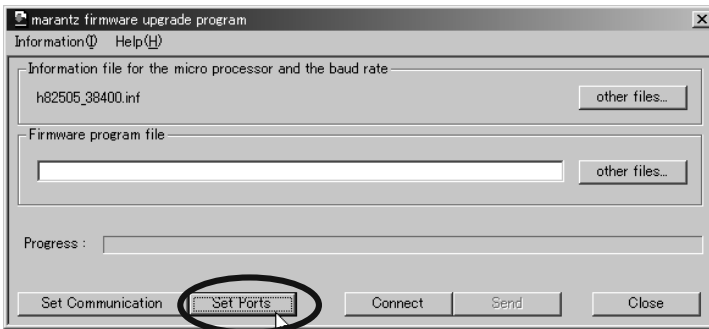
5. Launch "H8Download.exe" on PC.

5. PC から "H8Download.exe" をダブルクリックして起動します。



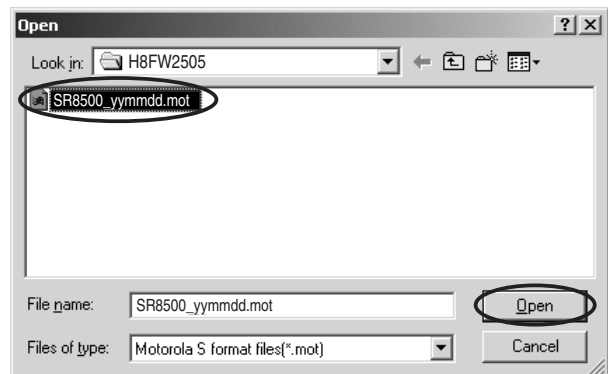
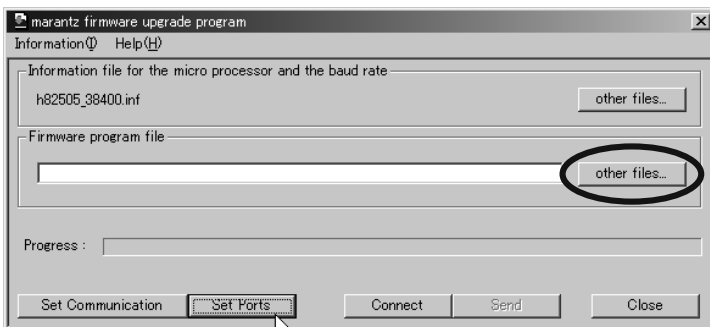
6. Click **Set Ports**, and select the COM Port No.

6. **Set Ports** をクリックし、COM ポート番号を選択します。



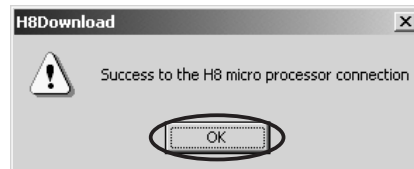
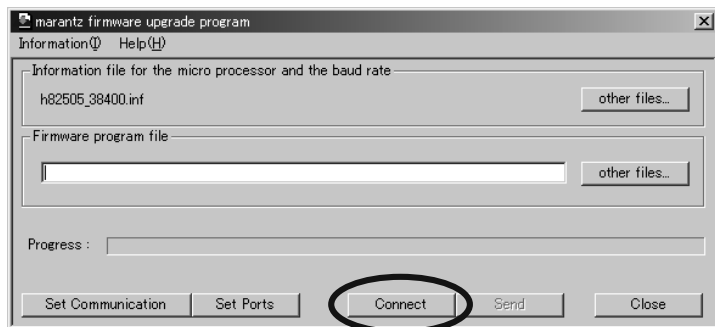
7. Click **other files...** button in the dialog box to specify the file (SR8500\_yymmdd.mot) to be uploading. yymmdd in filename is release date of software.

7. **other files...** をクリックして、アップデートファイル (SR8500\_yymmdd.mot) を選択し開きます。



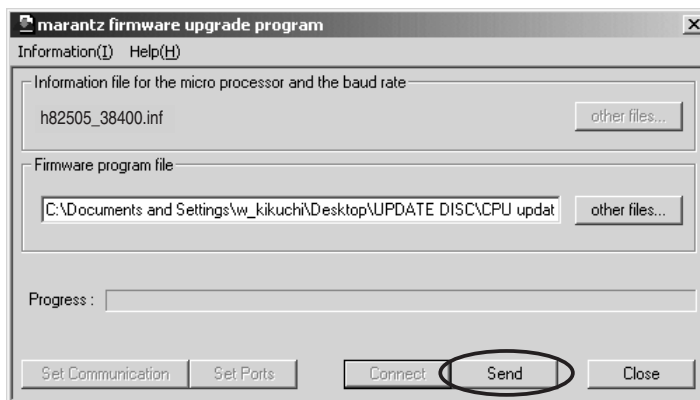
8. Click **Connect** button. If the connection with the H8  $\mu$ -P is successfully made, a dialogue box saying "Success to the H8 micro processor connection" appears. (If the connection fails, error message will appear.)

8. **Connect** をクリックします。H8  $\mu$ -P と通信接続に成功すると "Success to the H8 micro processor connection" のダイアログが表示されます。(通信に失敗するとエラーメッセージが表示されます。)



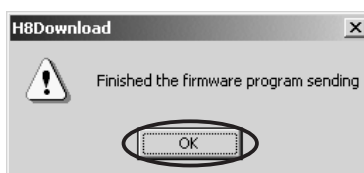
9. Click **Send** button to start update.

9. **Send** をクリックしアップデートを開始します。



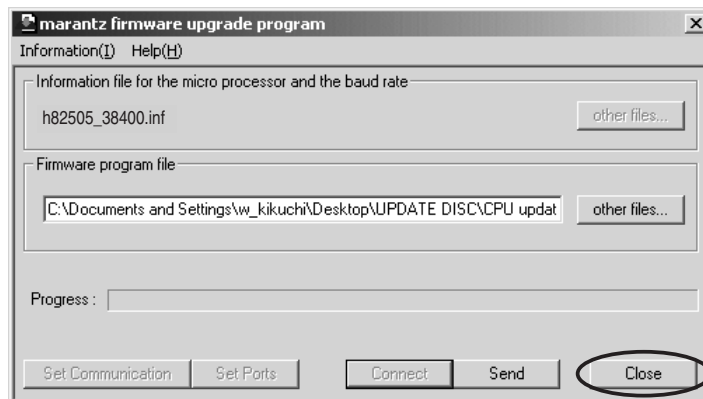
10. If the firmware is updated successfully, a dialog box saying "Finished the firmware program sending" appears.

10. ソフトウェアのアップデートが成功すると、"Finished the firmware program sending" のダイアログボックスが表示されます。



11. Click **Close** button to close the application.

11. **Close** をクリックしてアプリケーションを閉じます。



12. Disconnect Mains power cord.

12. 本機の電源を切ります。

13. Turn off the internal switch that has been turned on at step 3.

13. 手順 3 のスイッチ (SW10) を押してブートモードを解除します。

14. Turn on the unit.

14. 電源を入れます。

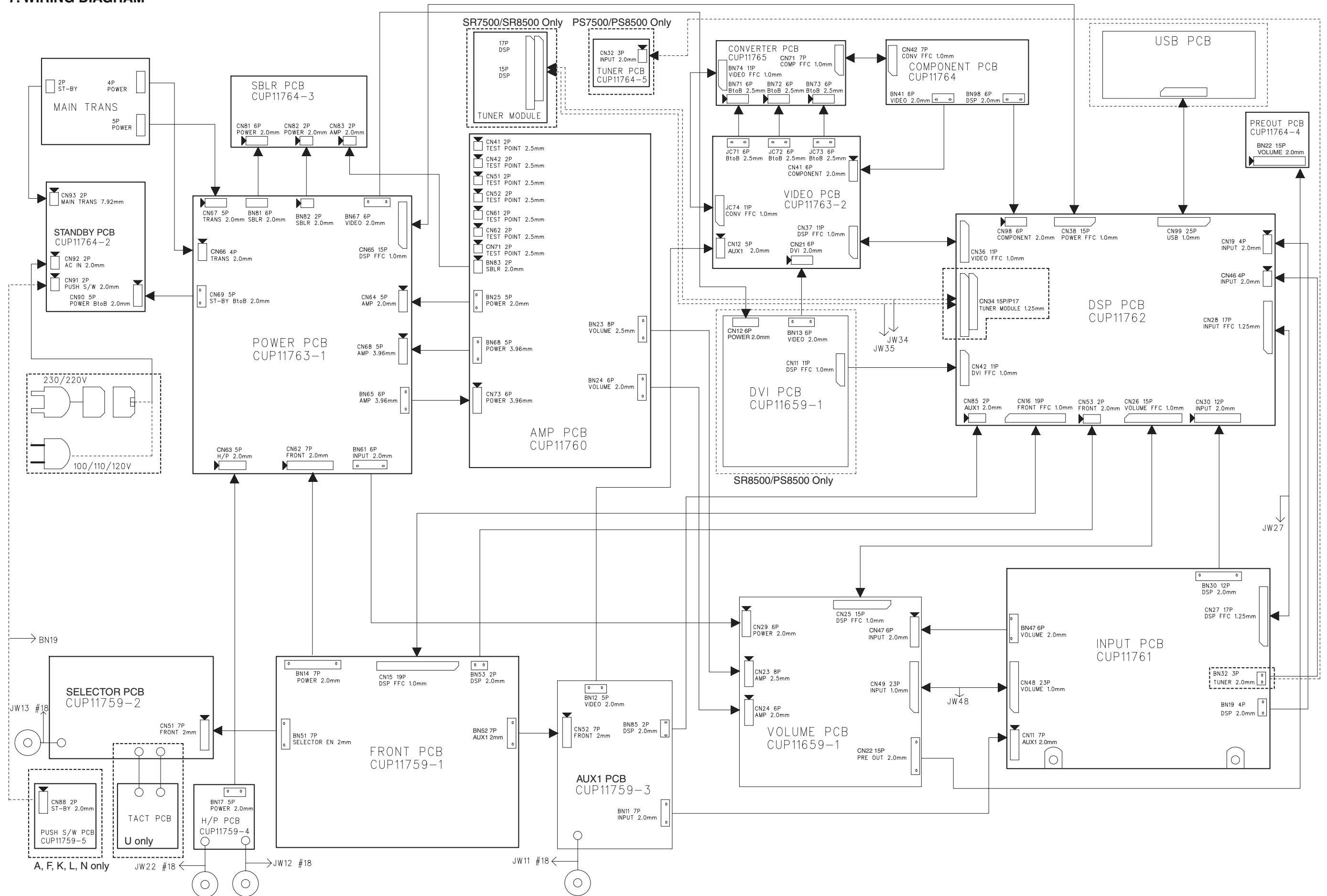
#### Firmware Version Check

To check the versions of the firmware, see "Microprocessor (CPU), DSP Version and FLD Segment Check Mode" in "SERVICE MODE" section.

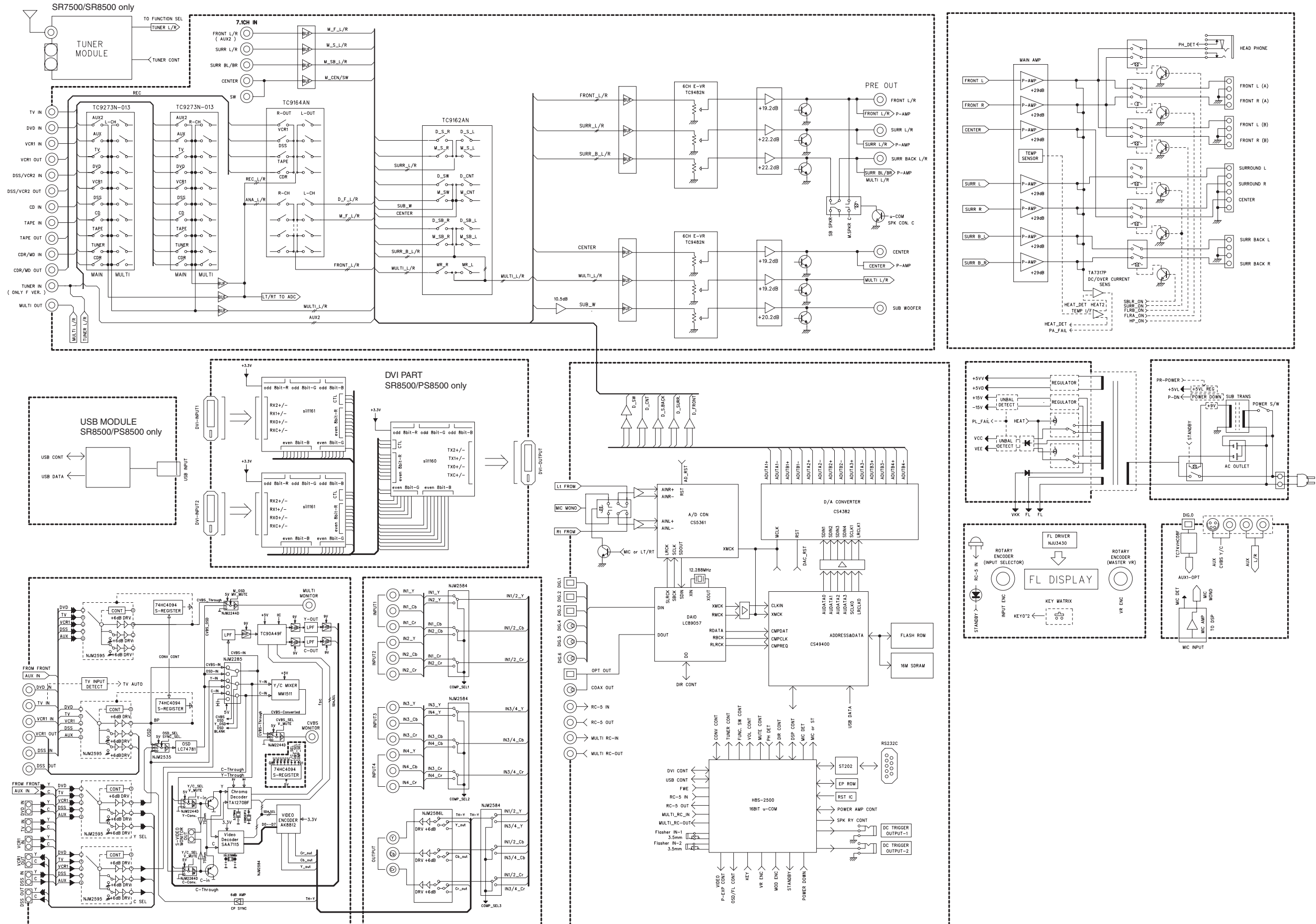
#### バージョンの確認

ソフトウェアのバージョンを確認します。確認方法は "SERVICE MODE" 内の "Microprocessor (CPU), DSP Version and FLD Segment Check Mode" を参照してください。

# 7. WIRING DIAGRAM

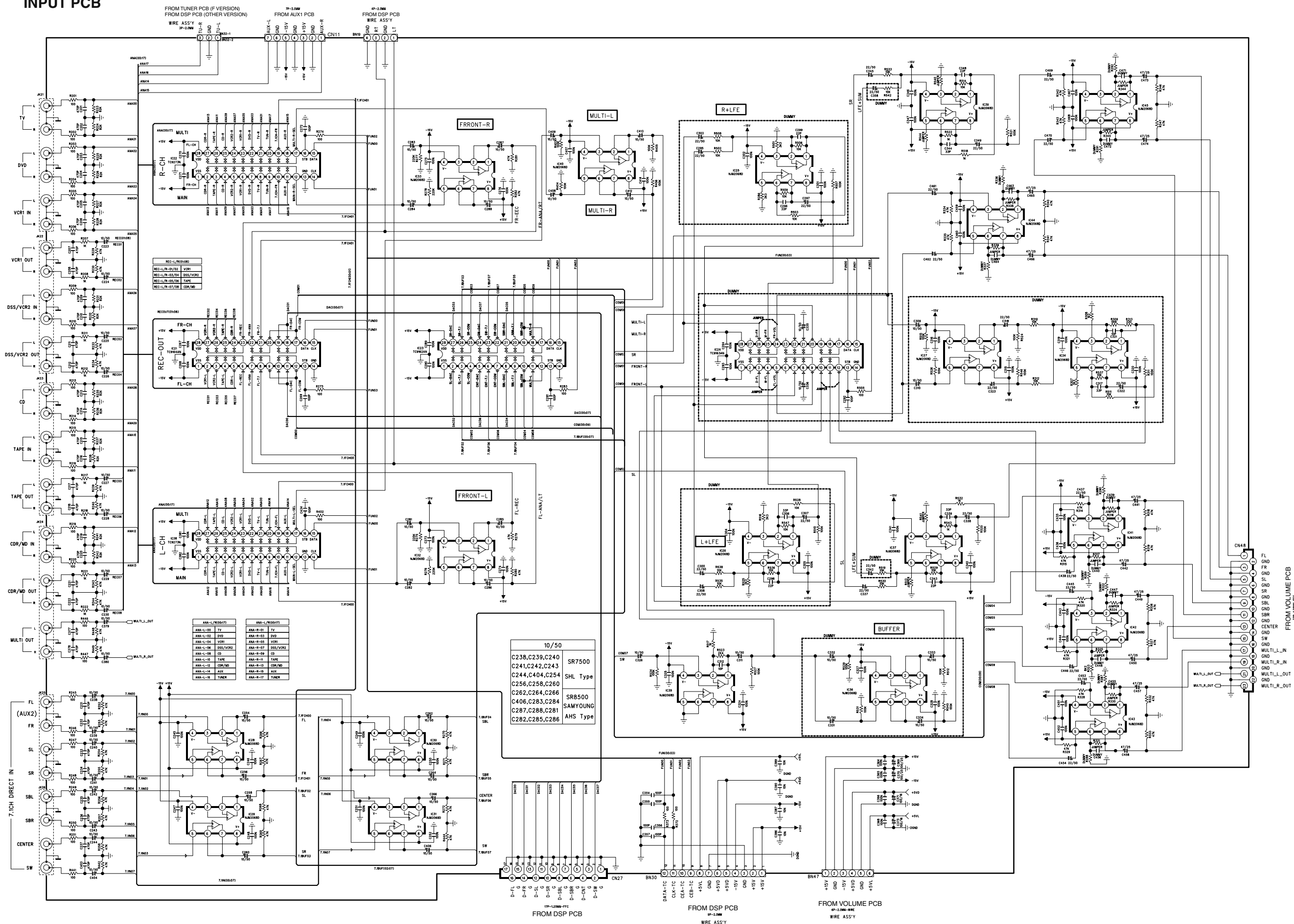


# 8. BLOCK DIAGRAM



# 9. SCHEMATIC DIAGRAM

## INPUT PCB



FROM TUNER PCB (F VERSION)  
FROM DSP PCB (OTHER VERSION)

7P-2.0MM  
WIRE ASS'Y

FROM AUX1 PCB

4P-2.0MM  
WIRE ASS'Y

FROM DSP PCB  
WIRE ASS'Y

REC-L/A-02/02	VCR
REC-L/A-03/04	DSS/VCR
REC-L/A-05/06	TAPE
REC-L/A-07/08	CDR/MP

REC-OUT	FR-CH
REC-OUT	FL-CH
REC-OUT	FR-CH
REC-OUT	FL-CH

ANA-L/PROD01	ANA-L/PROD01
ANA-L-02	TV
ANA-L-03	DVD
ANA-L-04	VCR
ANA-L-05	DSS/VCR
ANA-L-06	TAPE
ANA-L-07	CDR/MP
ANA-L-08	AVT
ANA-L-09	AVT
ANA-L-10	TUNER

ANA-R-01	TV
ANA-R-02	DVD
ANA-R-03	VCR
ANA-R-04	DSS/VCR
ANA-R-05	TAPE
ANA-R-06	CDR/MP
ANA-R-07	AVT
ANA-R-08	AVT
ANA-R-09	TUNER

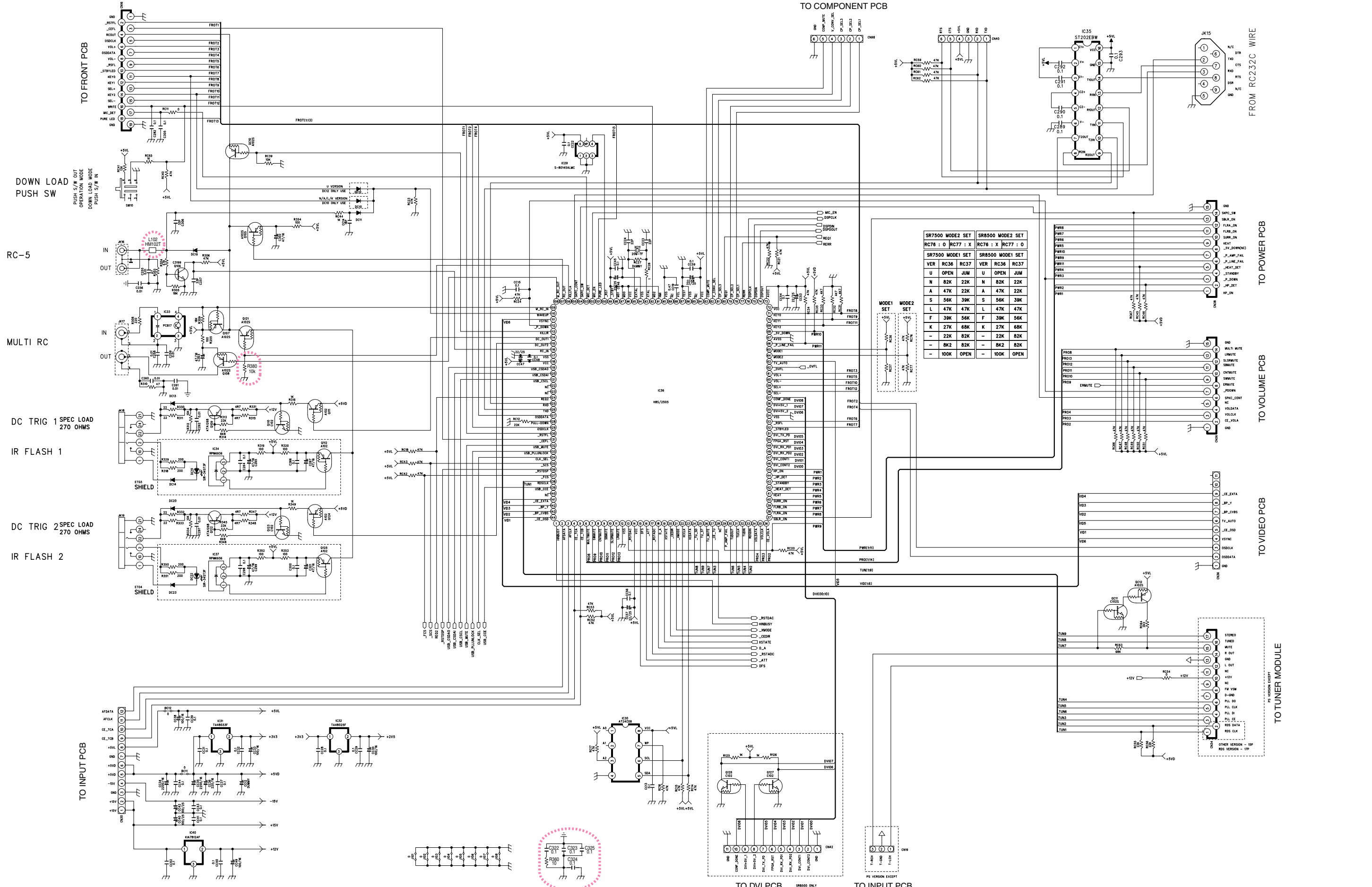
C238,C239,C240	SR7500
C241,C242,C243	SHL Type
C244,C404,C254	
C256,C258,C260	
C262,C264,C266	SR8500
C406,C283,C284	SAMYOUNG
C287,C288,C281	AHS Type
C282,C285,C286	

FROM DSP PCB

FROM DSP PCB  
WIRE ASS'Y

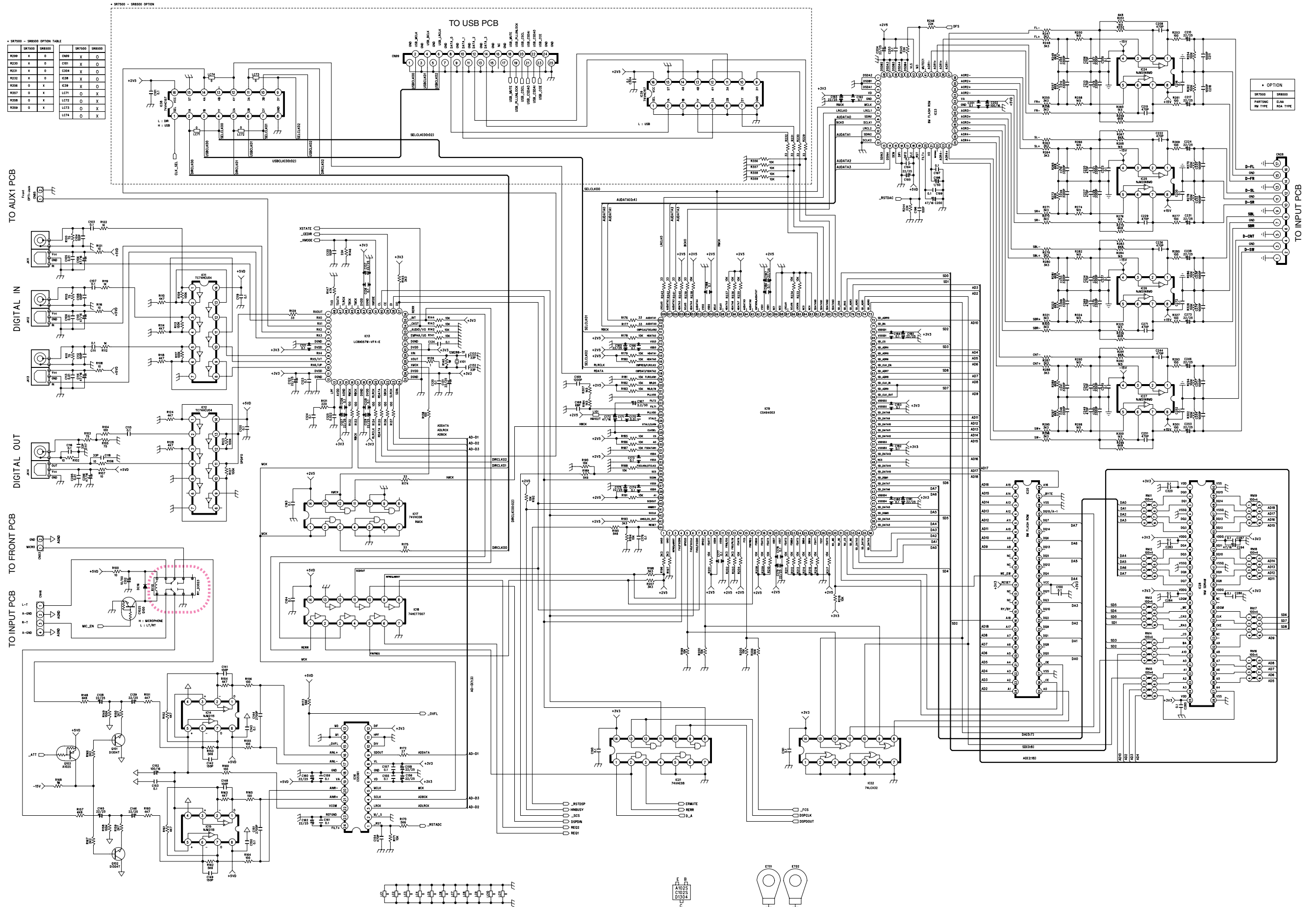
FROM VOLUME PCB  
WIRE ASS'Y

# DSP PCB - 1/2

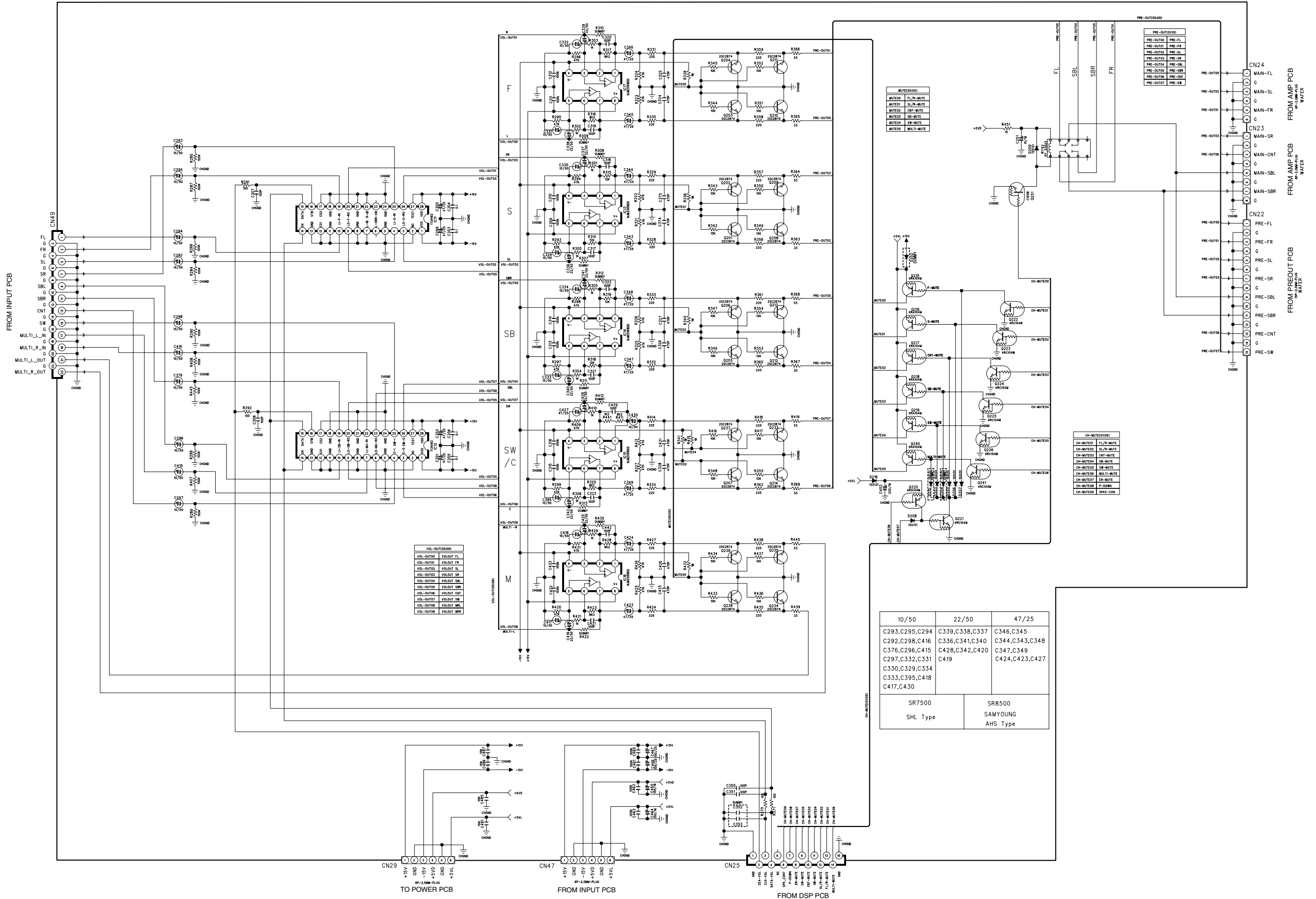




DSP PCB - 2/2



# VOLUME PCB



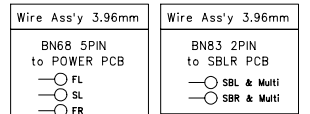
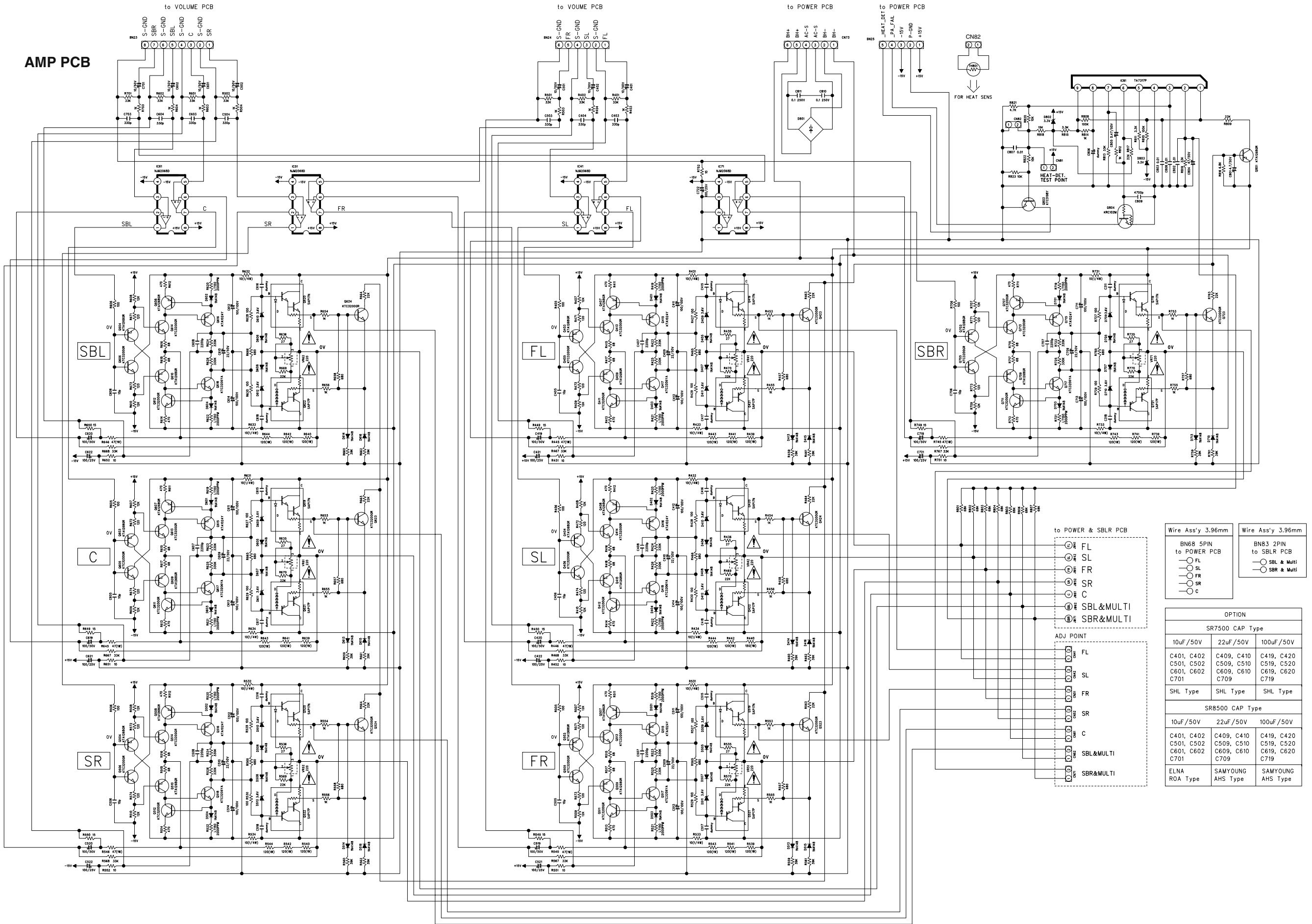
VOL-OUT00-091	
VOL-OUT00	VOLOUT FL
VOL-OUT01	VOLOUT FR
VOL-OUT02	VOLOUT SL
VOL-OUT03	VOLOUT SR
VOL-OUT04	VOLOUT SBL
VOL-OUT05	VOLOUT SBR
VOL-OUT06	VOLOUT CNT
VOL-OUT07	VOLOUT SW
VOL-OUT08	VOLOUT MFL
VOL-OUT09	VOLOUT MFR

MUTE00-05	
MUTE00	FL/M-MUTE
MUTE01	SL/M-MUTE
MUTE02	FR/M-MUTE
MUTE03	SR/M-MUTE
MUTE04	SB-MUTE
MUTE05	SW-MUTE

CH-MUTE00-05	
CH-MUTE01	FL/M-MUTE
CH-MUTE02	SL/M-MUTE
CH-MUTE03	FR/M-MUTE
CH-MUTE04	SR/M-MUTE
CH-MUTE05	SB-MUTE
CH-MUTE06	SW-MUTE
CH-MUTE07	FL/M-MUTE
CH-MUTE08	FR/M-MUTE
CH-MUTE09	SPK-COR

10/50	22/50	47/25
C293,C295,C294	C339,C338,C337	C346,C345
C292,C298,C416	C336,C341,C340	C344,C343,C348
C376,C296,C415	C428,C342,C420	C347,C349
C297,C332,C331	C419	C424,C423,C427
C330,C329,C334		
C333,C395,C418		
C417,C430		
SR7500	SR8500	
SHL Type	SAMYOUNG AHS Type	

**AMP PCB**

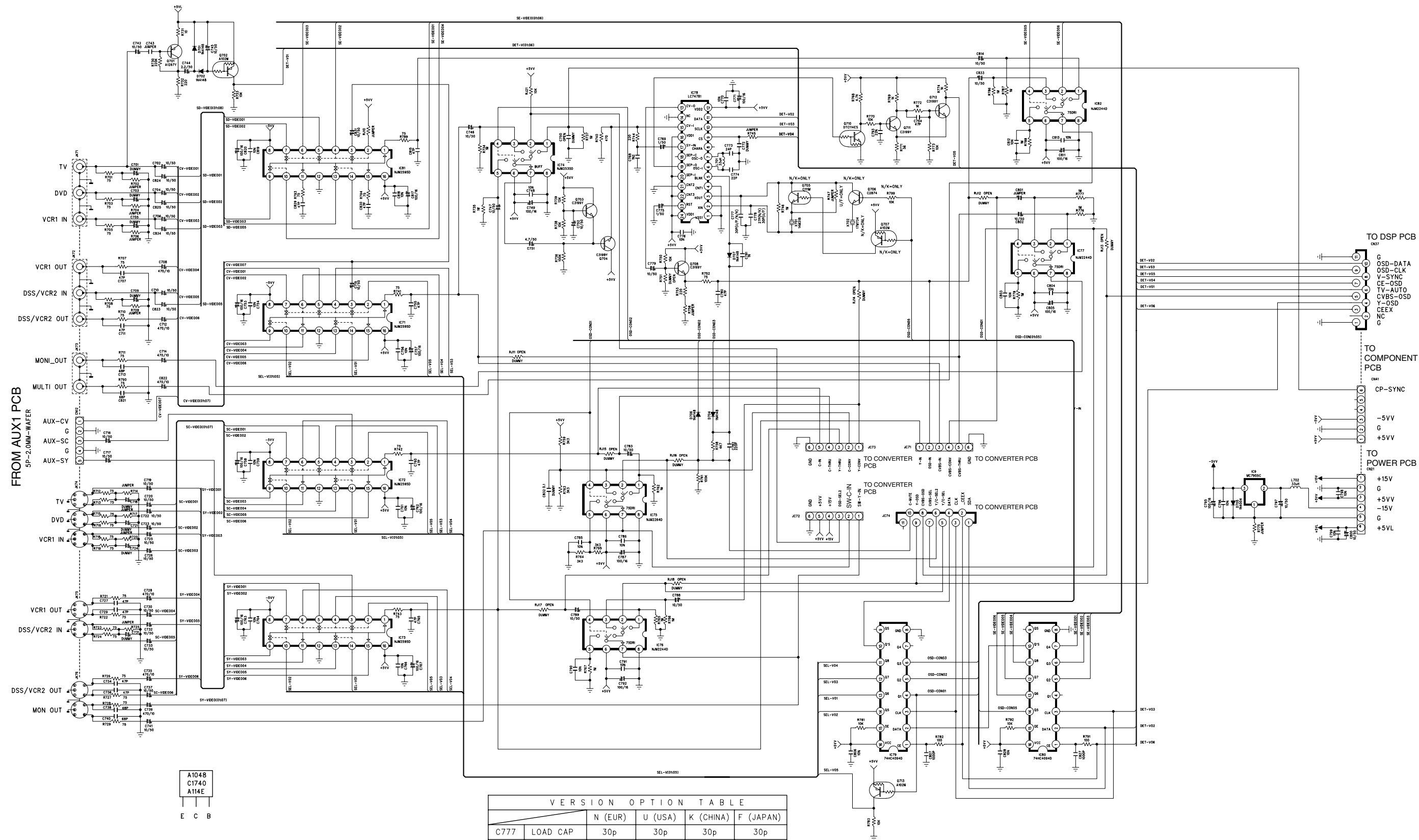


ADJ POINT

- FL
- SL
- FR
- SR
- C
- SBL & MULTI
- SBR & MULTI

OPTION		
SR7500 CAP Type		
10uF/50V	22uF/50V	100uF/50V
C401, C402	C409, C410	C419, C420
C501, C502	C509, C510	C519, C520
C601, C602	C609, C610	C619, C620
C701	C709	C719
SHL Type	SHL Type	SHL Type
SR8500 CAP Type		
10uF/50V	22uF/50V	100uF/50V
C401, C402	C409, C410	C419, C420
C501, C502	C509, C510	C519, C520
C601, C602	C609, C610	C619, C620
C701	C709	C719
ELNA	SAMYOUNG	SAMYOUNG
ROA Type	AHS Type	AHS Type

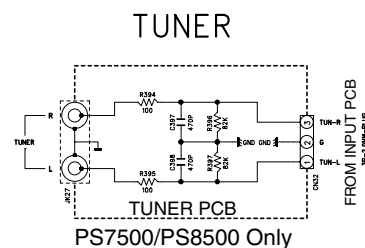
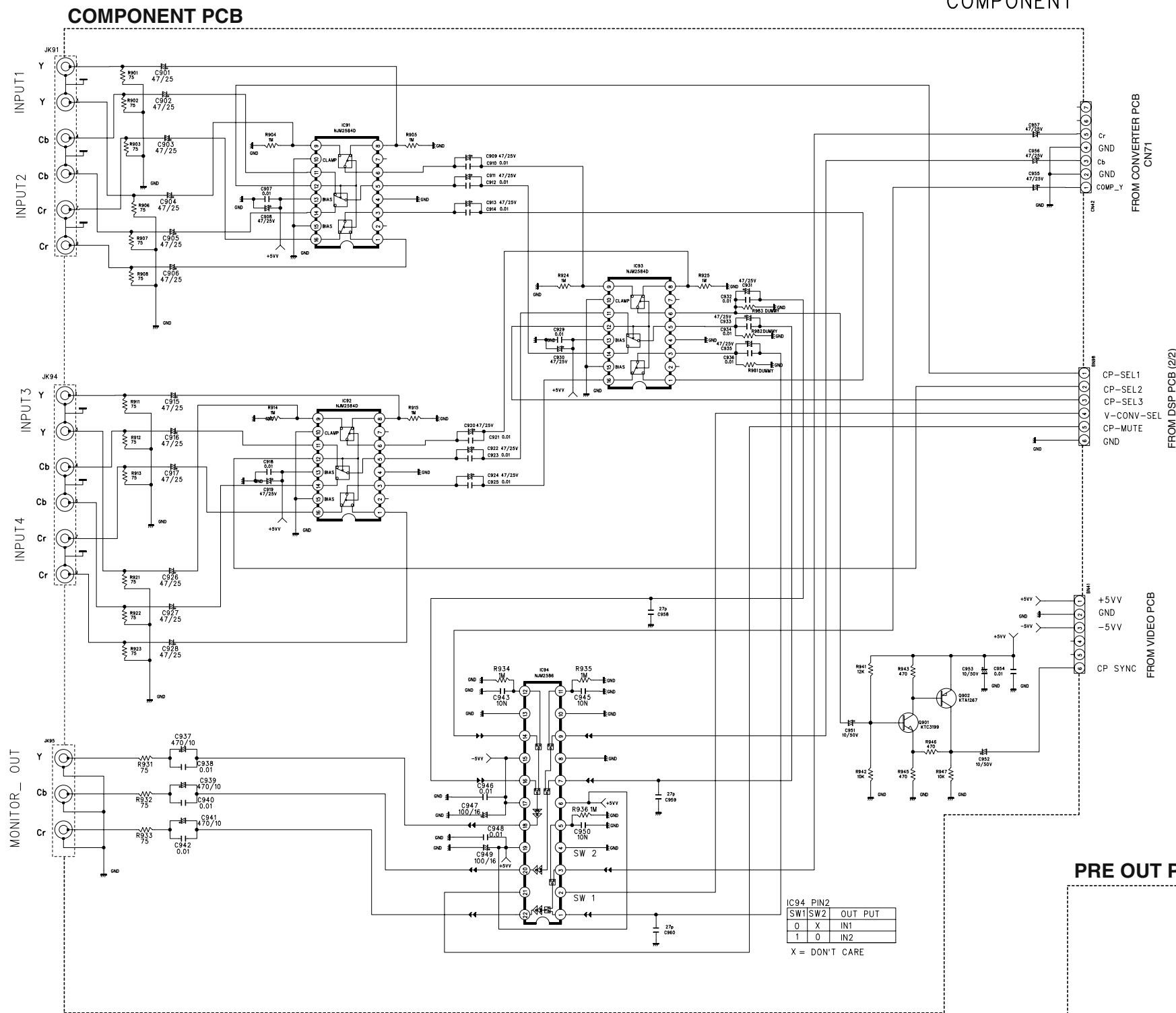
# VIDEO PCB



VERSION OPTION TABLE

		N (EUR)	U (USA)	K (CHINA)	F (JAPAN)
C777	LOAD CAP	30p	30p	30p	30p
C778	LOAD CAP	27p	30p	27p	30p
Q705	KRC111M	○	×	○	×
Q706	KRC111M	○	×	○	×
Q707	KRA102M	○	×	○	×
R747	JUMPER	×	○	×	○
X702	17.734MHz	○	×	○	×

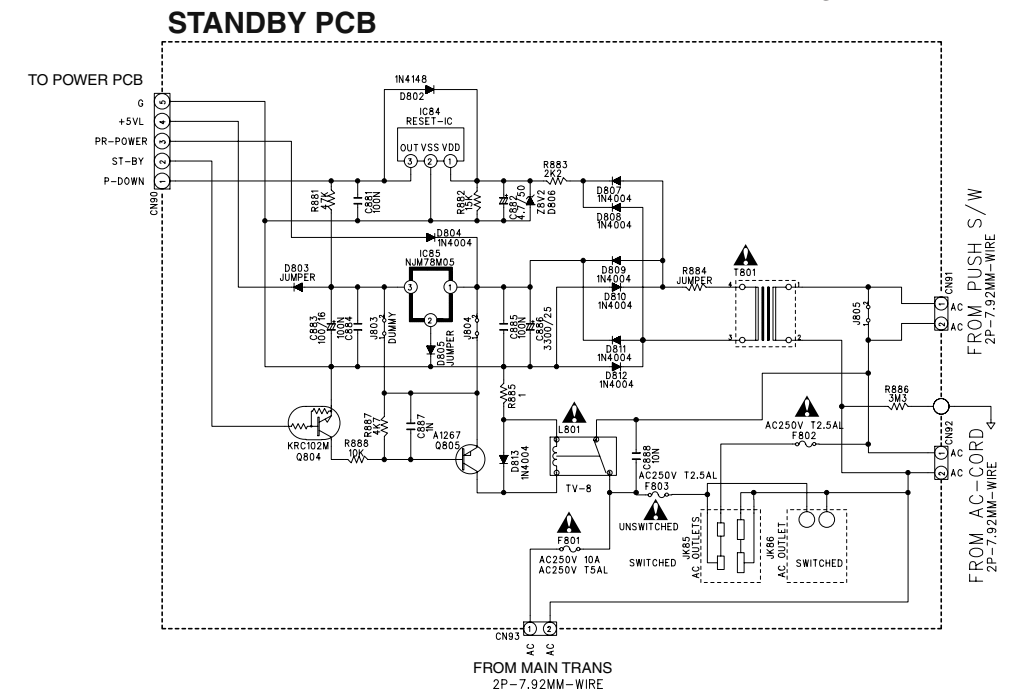
COMPONENT



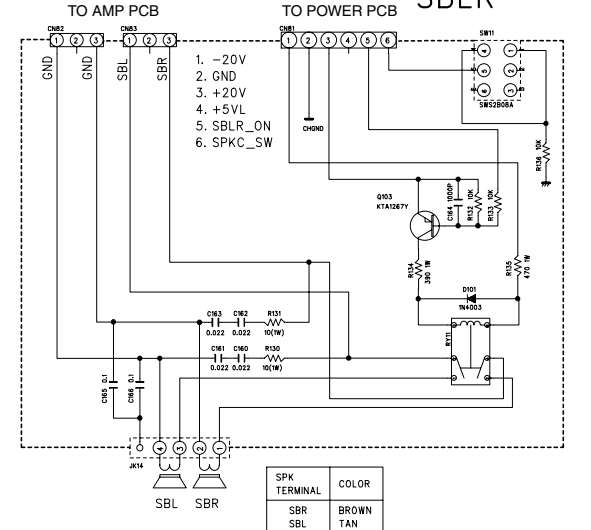
IC94 PIN2	SW1	SW2	OUT	PUT
0	X		IN1	
1		0	IN2	

X = DON'T CARE

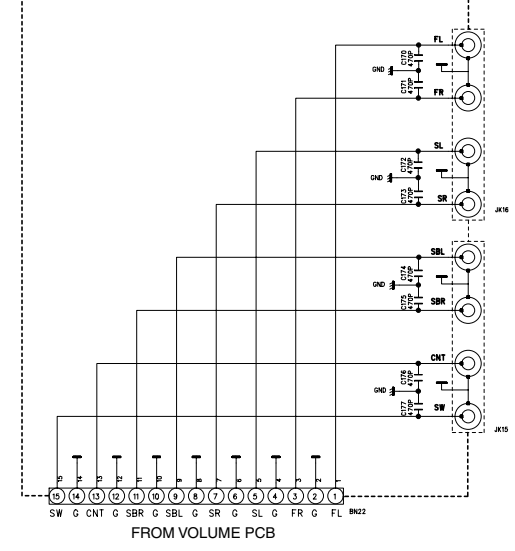
STANDBY



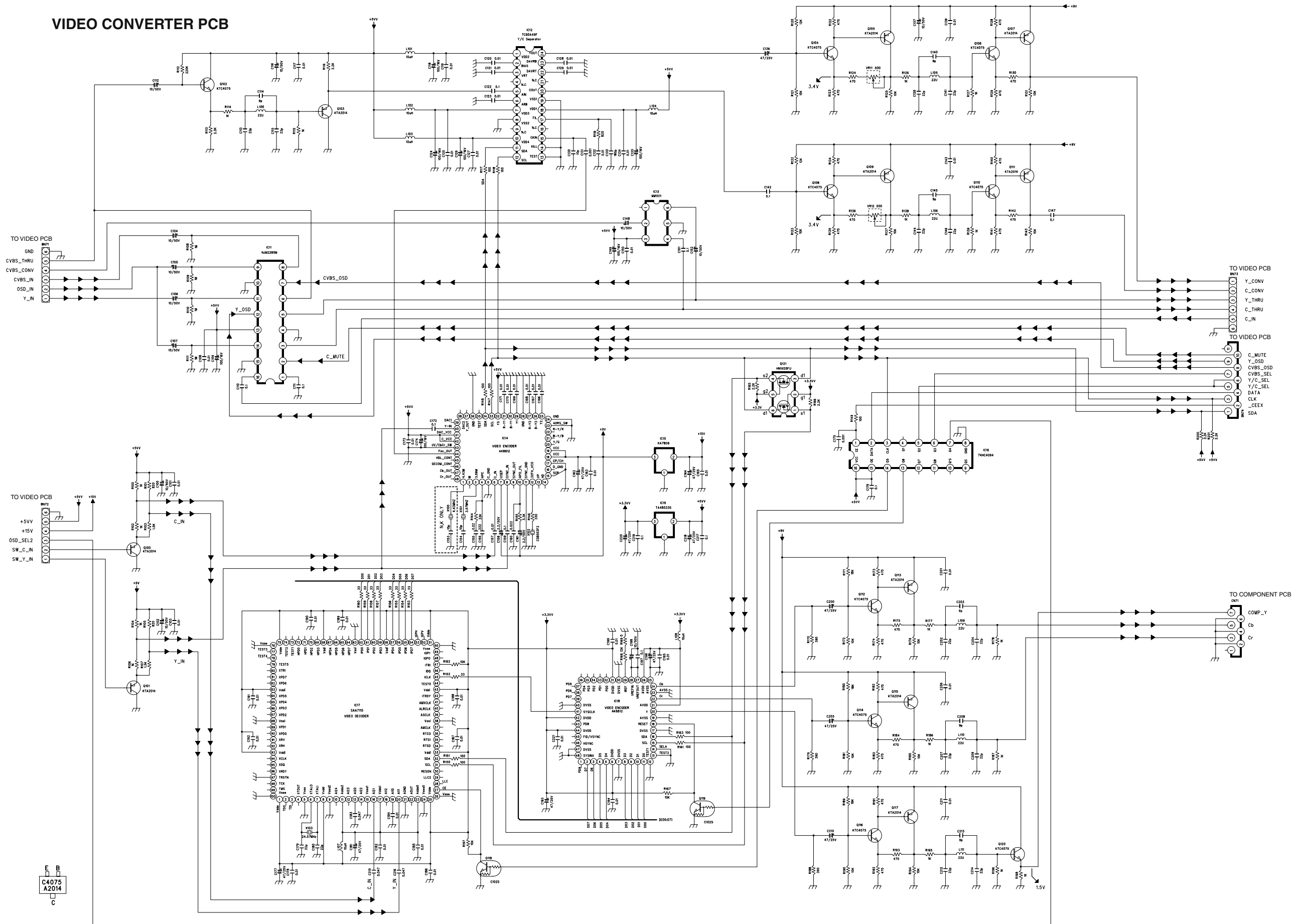
SBLR PCB



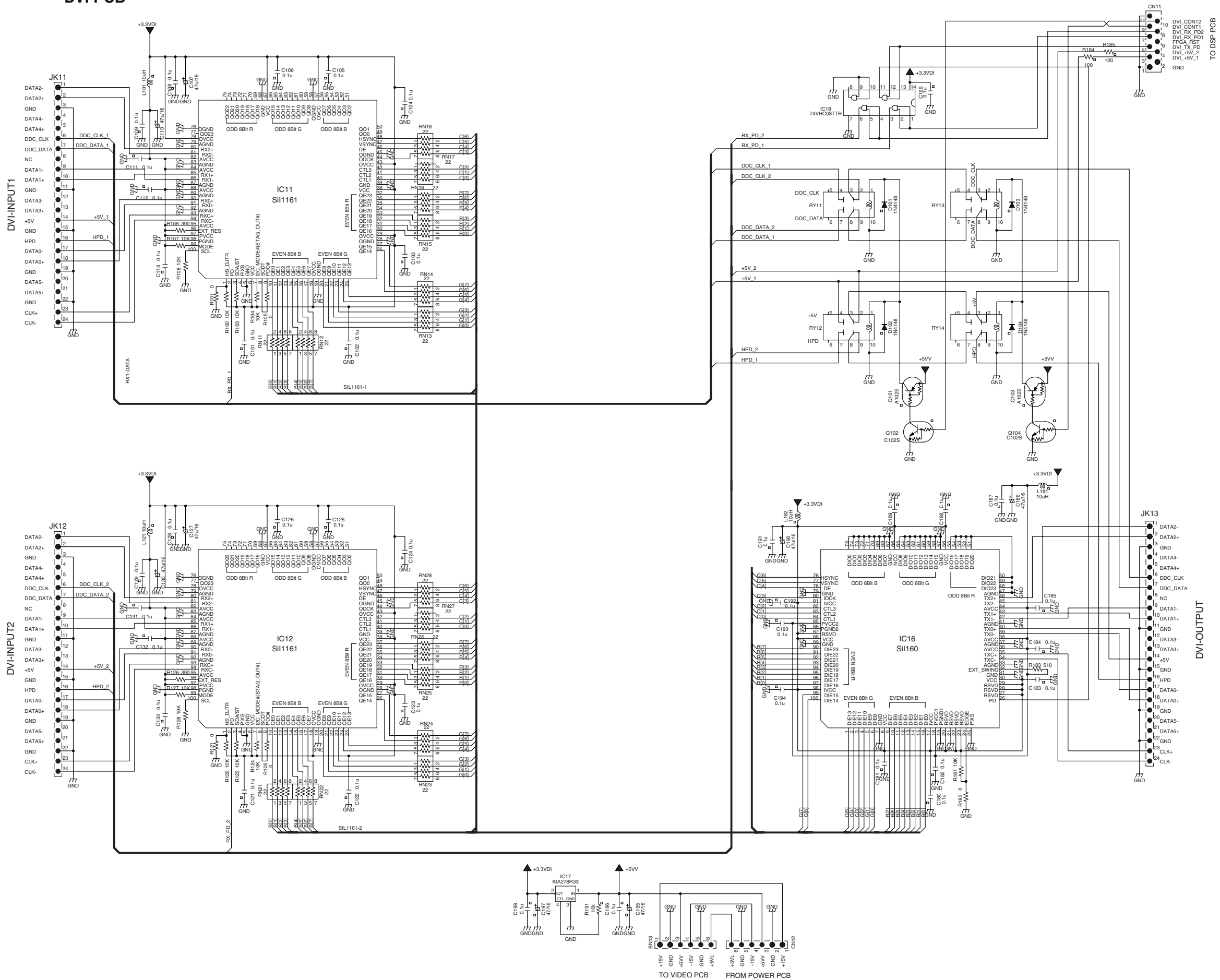
PRE OUT PCB



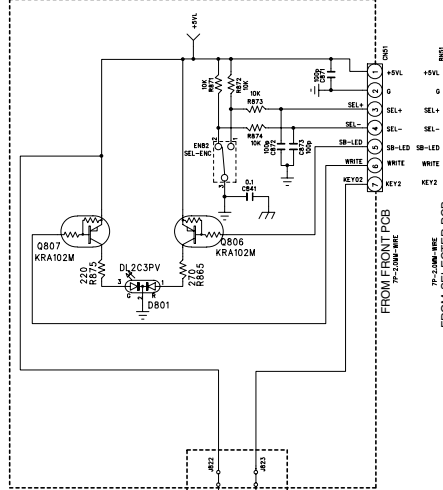
# VIDEO CONVERTER PCB



DVI PCB

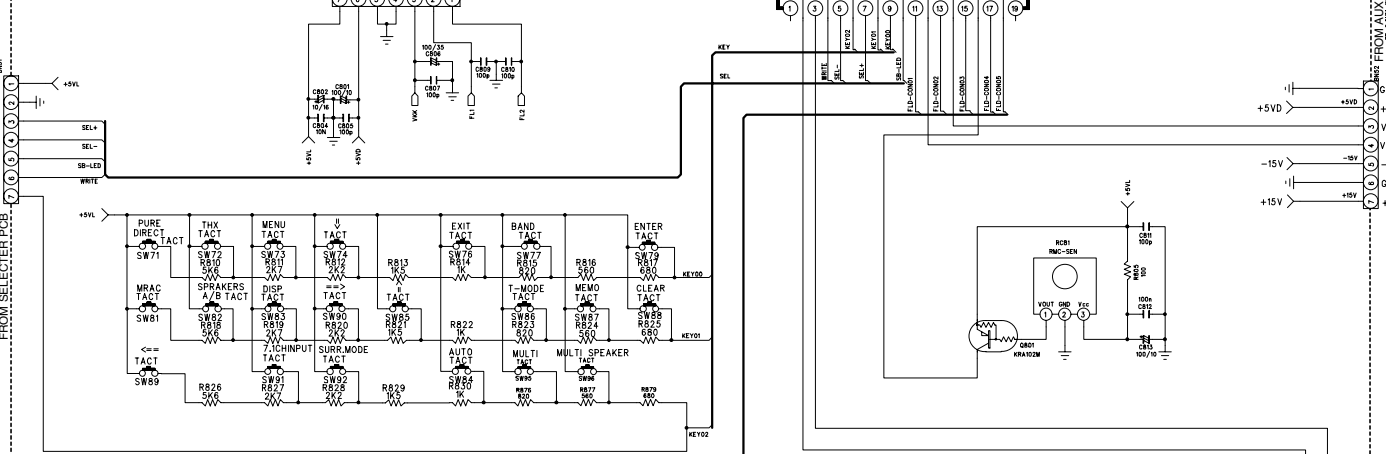


**SELECTOR PCB**



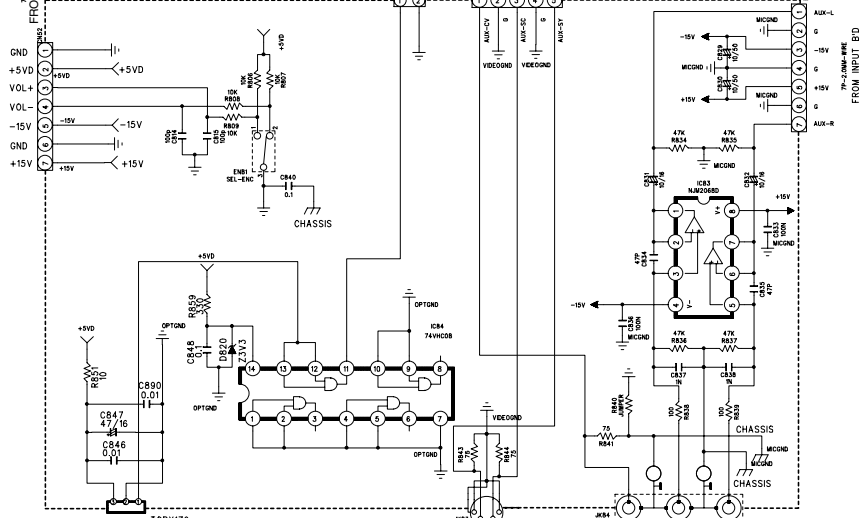
U VERSION ONLY

**FRONT PCB**

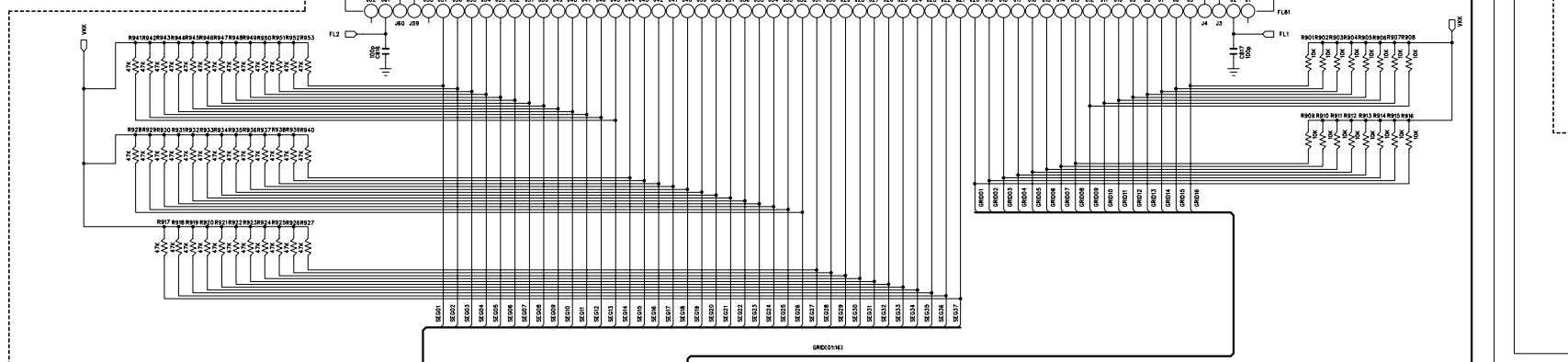


FRONT

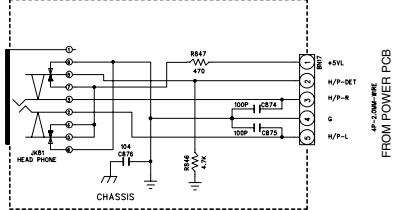
**AUX1 PCB**



AUX1



**H/P PCB**

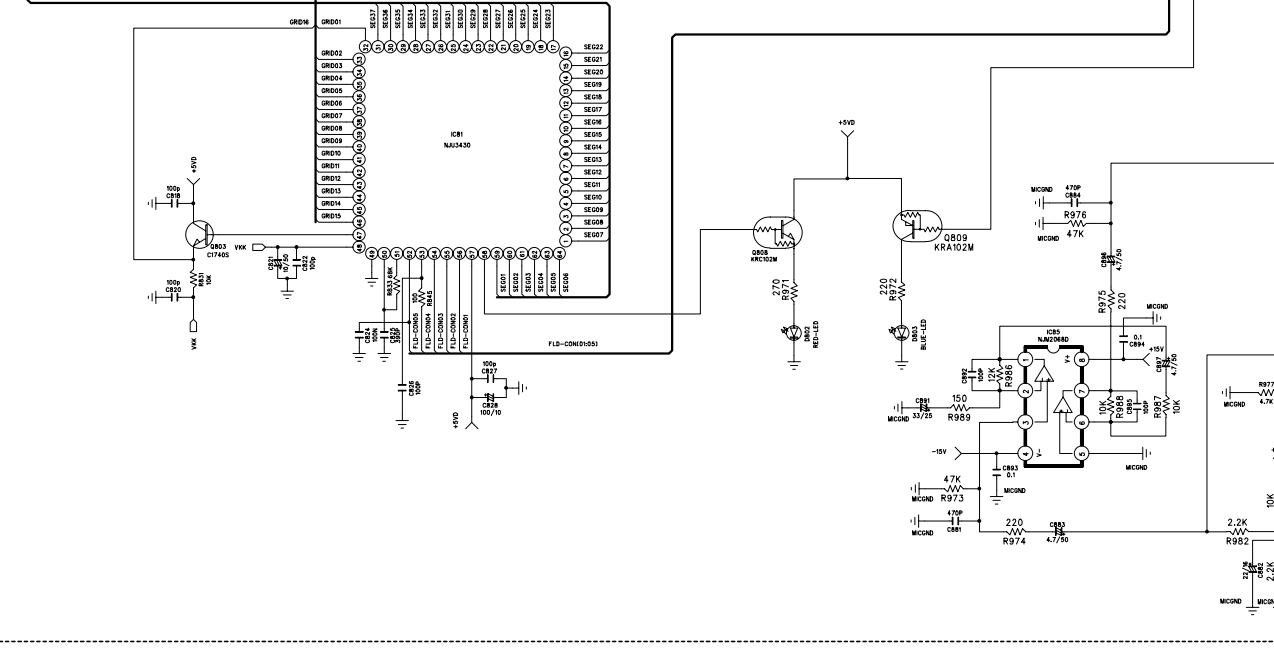
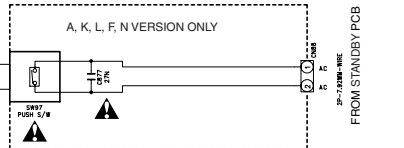


H/P

A, K, L, F, N VERSION ONLY

PUSH S/W  
POWER ON/OFF

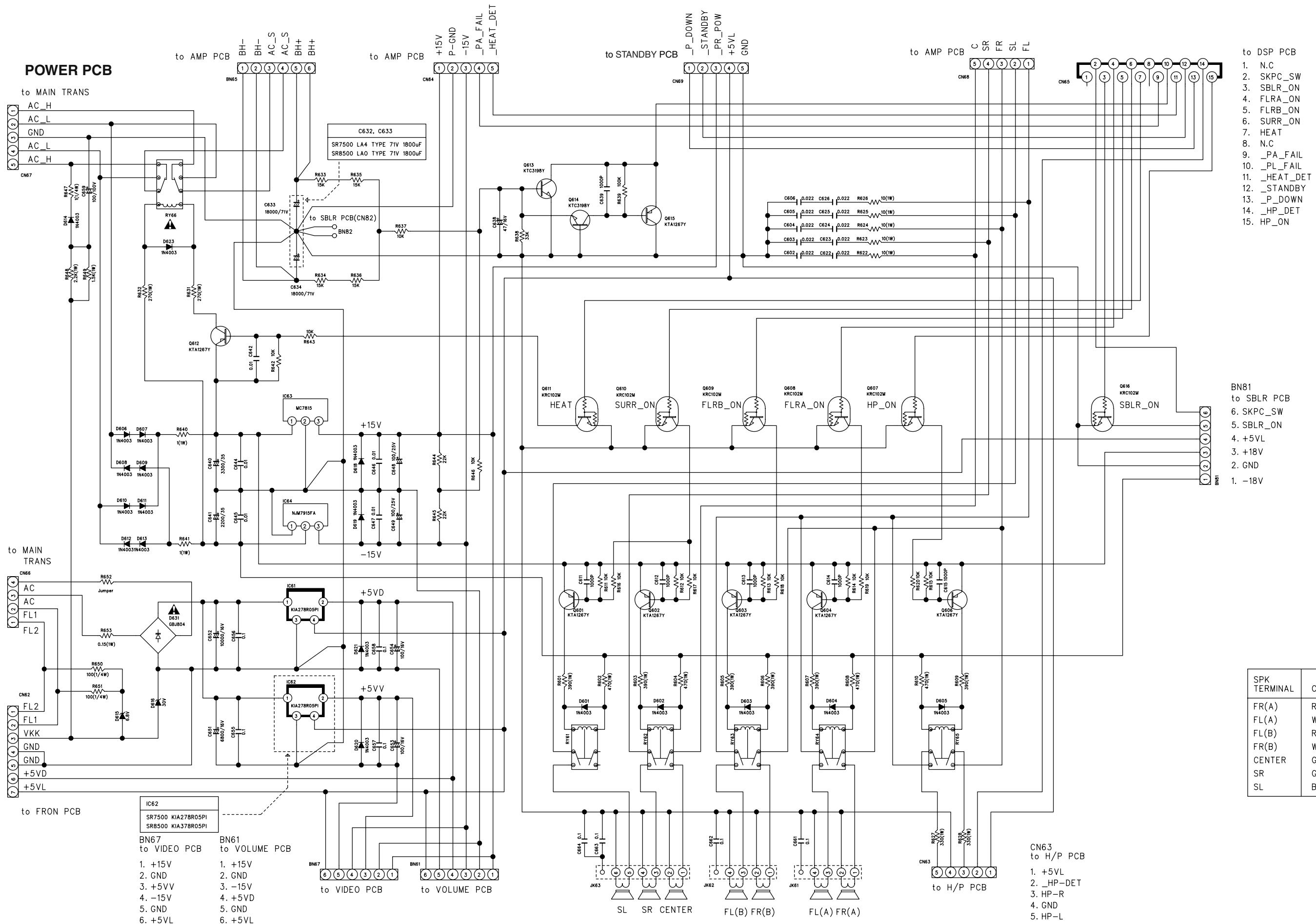
**PUSH PCB**



TO DSP PCB

MIC





**POWER PCB**

to MAIN TRANS

- 1 AC\_H
- 2 AC\_L
- 3 GND
- 4 AC\_L
- 5 AC\_H

to AMP PCB

- 1 BH-
- 2 BH-
- 3 AC\_S
- 4 AC\_S
- 5 BH+
- 6 BH+

to AMP PCB

- 1 +15V
- 2 P-GND
- 3 -15V
- 4 \_PA\_FAIL
- 5 \_HEAT\_DET

to STANDBY PCB

- 1 \_P\_DOWN
- 2 \_STANDBY
- 3 \_PR\_POW
- 4 +5VL
- 5 GND

to AMP PCB

- 1 C
- 2 SR
- 3 FR
- 4 SL
- 5 FL

to DSP PCB

- 1. N.C
- 2. SKPC\_SW
- 3. SBLR\_ON
- 4. FLRA\_ON
- 5. FLRB\_ON
- 6. SURR\_ON
- 7. HEAT
- 8. N.C
- 9. \_PA\_FAIL
- 10. \_PL\_FAIL
- 11. \_HEAT\_DET
- 12. \_STANDBY
- 13. \_P\_DOWN
- 14. \_HP\_DET
- 15. HP\_ON

to MAIN TRANS

- 1 AC
- 2 AC
- 3 FL1
- 4 FL2

to FRON PCB

IC62  
SR7500 KIA27BR05PI  
SR8500 KIA37BR05PI

BN67 to VIDEO PCB

- 1. +15V
- 2. GND
- 3. +5VV
- 4. -15V
- 5. GND
- 6. +5VL

BN61 to VOLUME PCB

- 1. +15V
- 2. GND
- 3. -15V
- 4. +5VD
- 5. GND
- 6. +5VL

to VIDEO PCB

to VOLUME PCB

BN81 to SBLR PCB

- 1. -18V
- 2. GND
- 3. +18V
- 4. +5VL
- 5. SBLR\_ON
- 6. SKPC\_SW

SPK TERMINAL	COLOR
FR(A)	RED
FL(A)	WHITE
FL(B)	RED
FR(B)	WHITE
CENTER	GREEN
SR	GRAY
SL	BROWN

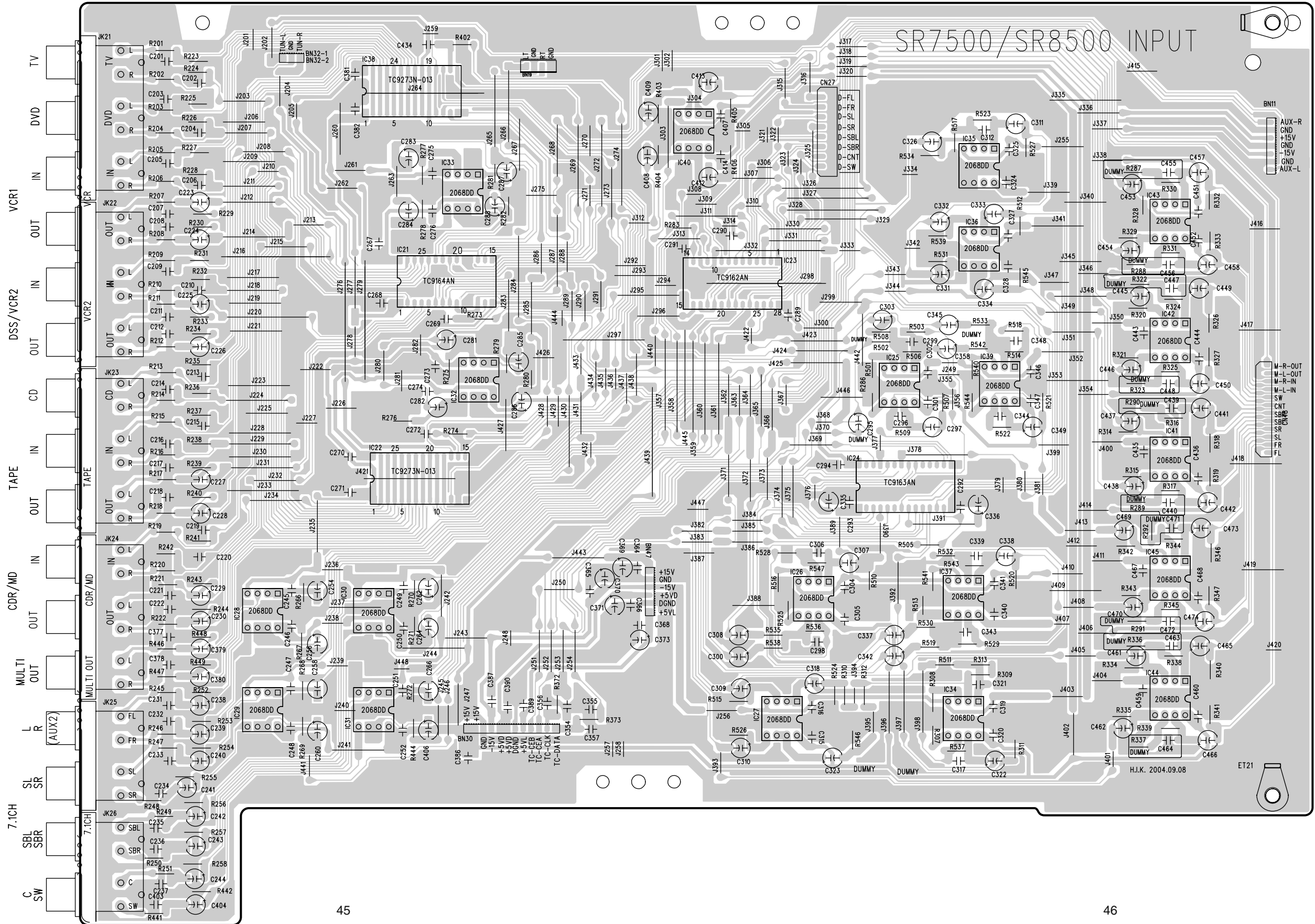
CN63 to H/P PCB

- 1. +5VL
- 2. \_HP-DET
- 3. HP-R
- 4. GND
- 5. HP-L

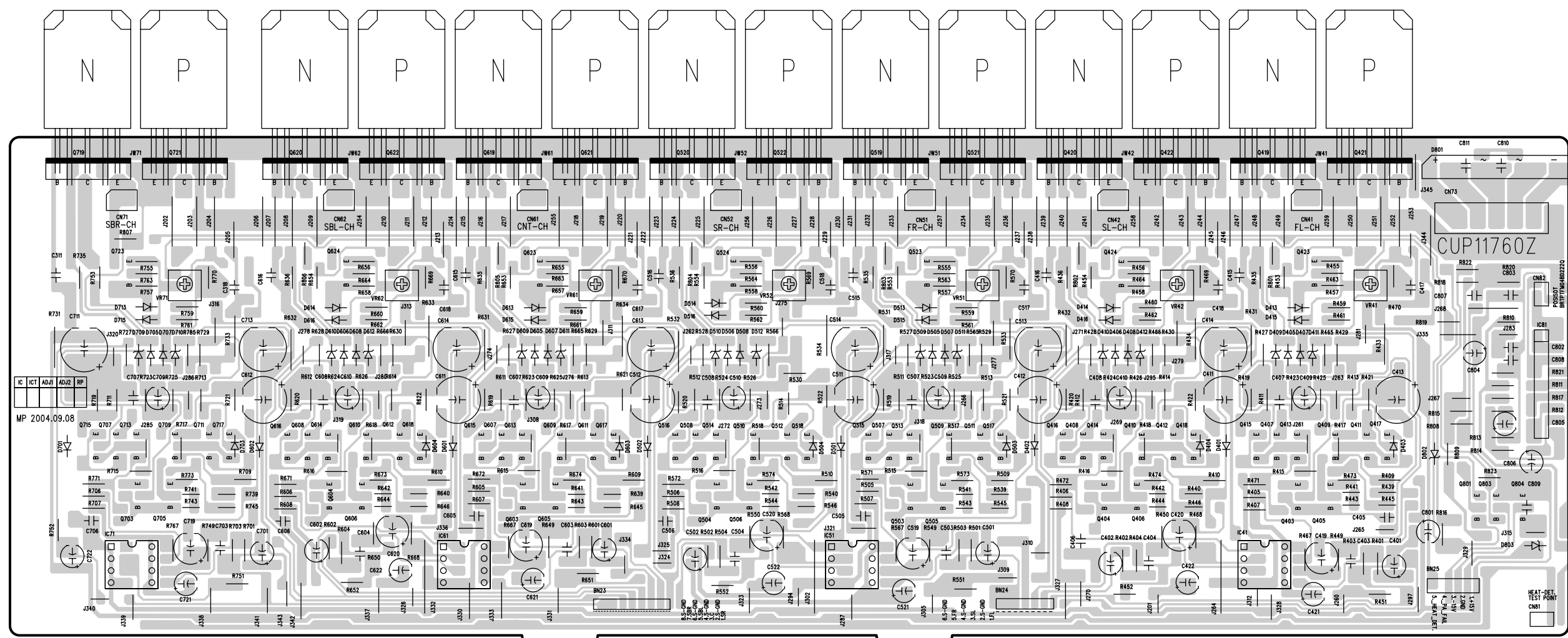
10. PARTS LOCATION

	IC38		IC40		IC35		IC43
		IC33			IC36		IC42
		IC21	IC23				IC41
		IC32		IC25	IC39		IC45
IC28		IC30		IC24	IC37		IC44
IC29	IC31		IC27		IC34		

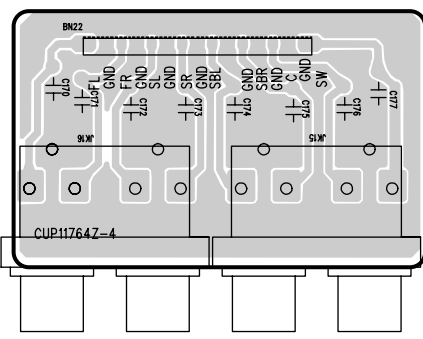
INPUT PCB



Q719 Q721 Q620 Q622 Q619 Q621 Q520 Q522 Q519 Q521 Q420 Q422 Q419 Q421  
 Q723 Q624 Q623 Q524 Q523 Q424 Q423 IC81  
 Q707 Q711 Q608 Q612 Q607 Q611 Q508 Q512 Q507 Q511 Q408 Q412 Q407 Q411  
 Q715 Q713 Q709 Q717 Q616 Q614 Q610 Q618 Q615 Q613 Q609 Q617 Q516 Q514 Q510 Q518 Q515 Q513 Q509 Q517 Q416 Q414 Q410 Q418 Q415 Q413 Q409 Q417  
 Q703 Q705 Q604 Q606 Q603 Q605 Q504 Q506 Q503 Q505 Q404 Q406 Q403 Q405 Q801 Q803 Q804  
 IC71 SBR-CH IC61 CNT-CH IC51 FR-CH IC41 FL-CH

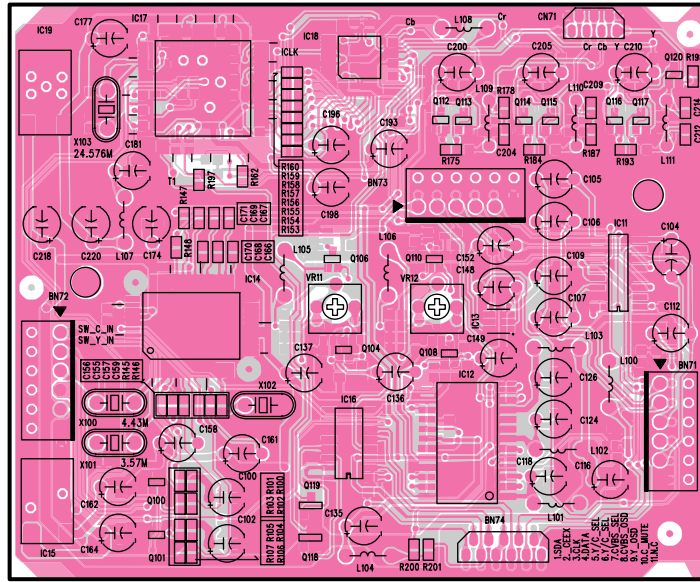


**PREOUT PCB**



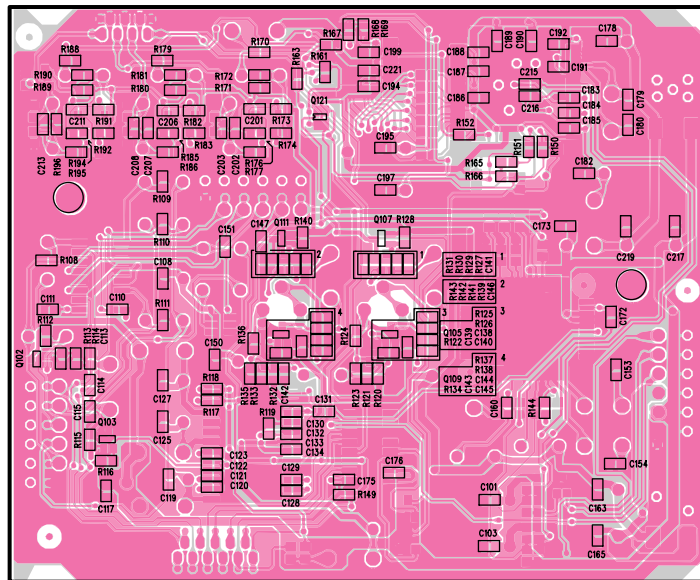
IC19 IC17 IC18 Q120  
 Q112 Q114 Q116  
 Q113 Q115 Q117  
 Q106 Q110 IC11  
 Q108  
 Q104 IC12  
 IC16  
 IC15 Q100 Q119  
 Q101 Q118

**VIDEO CONVERTER PCB A**



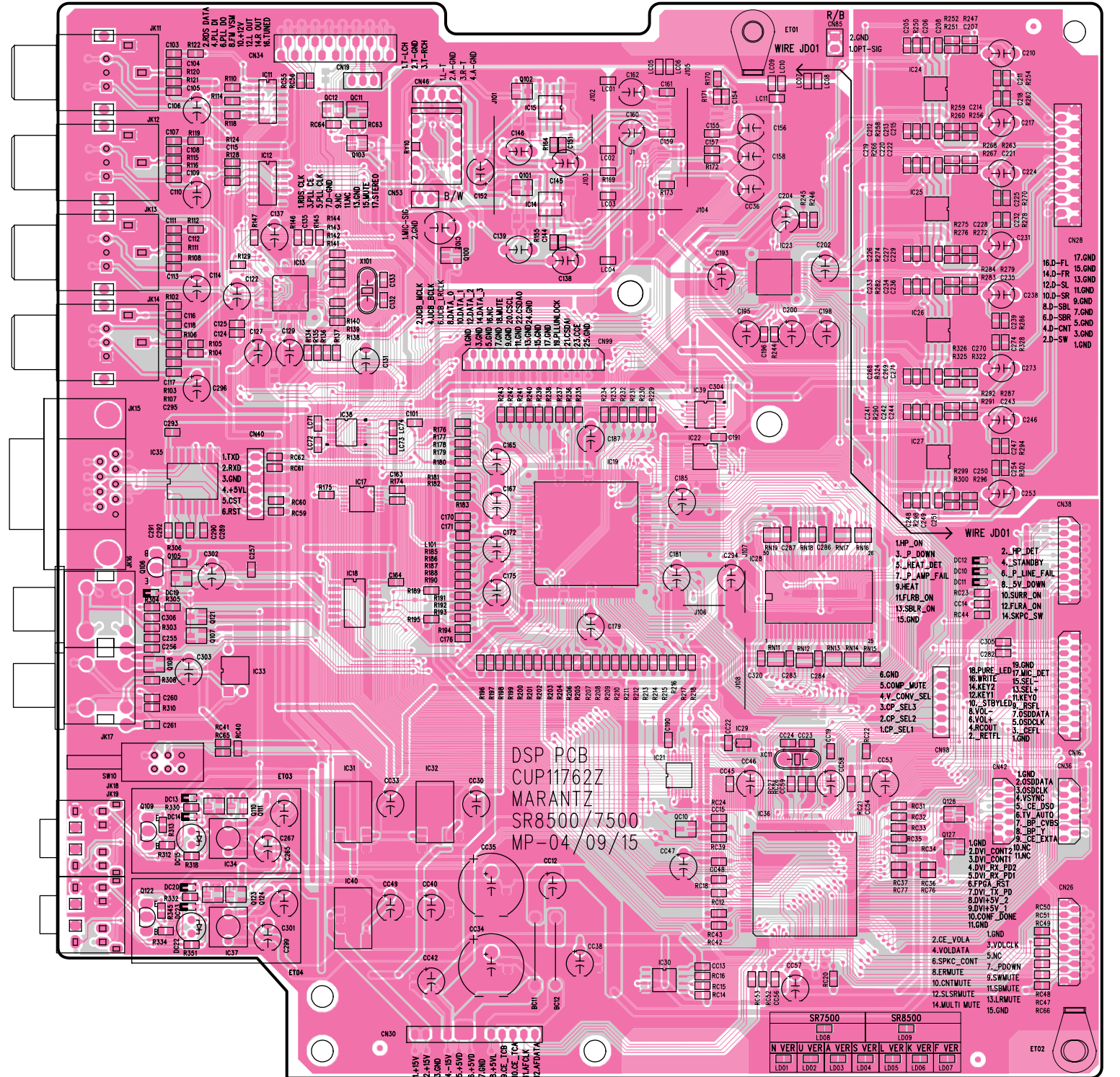
Q121  
 Q111 Q107  
 Q105 Q109  
 Q102 Q103

**VIDEO CONVERTER PCB B**



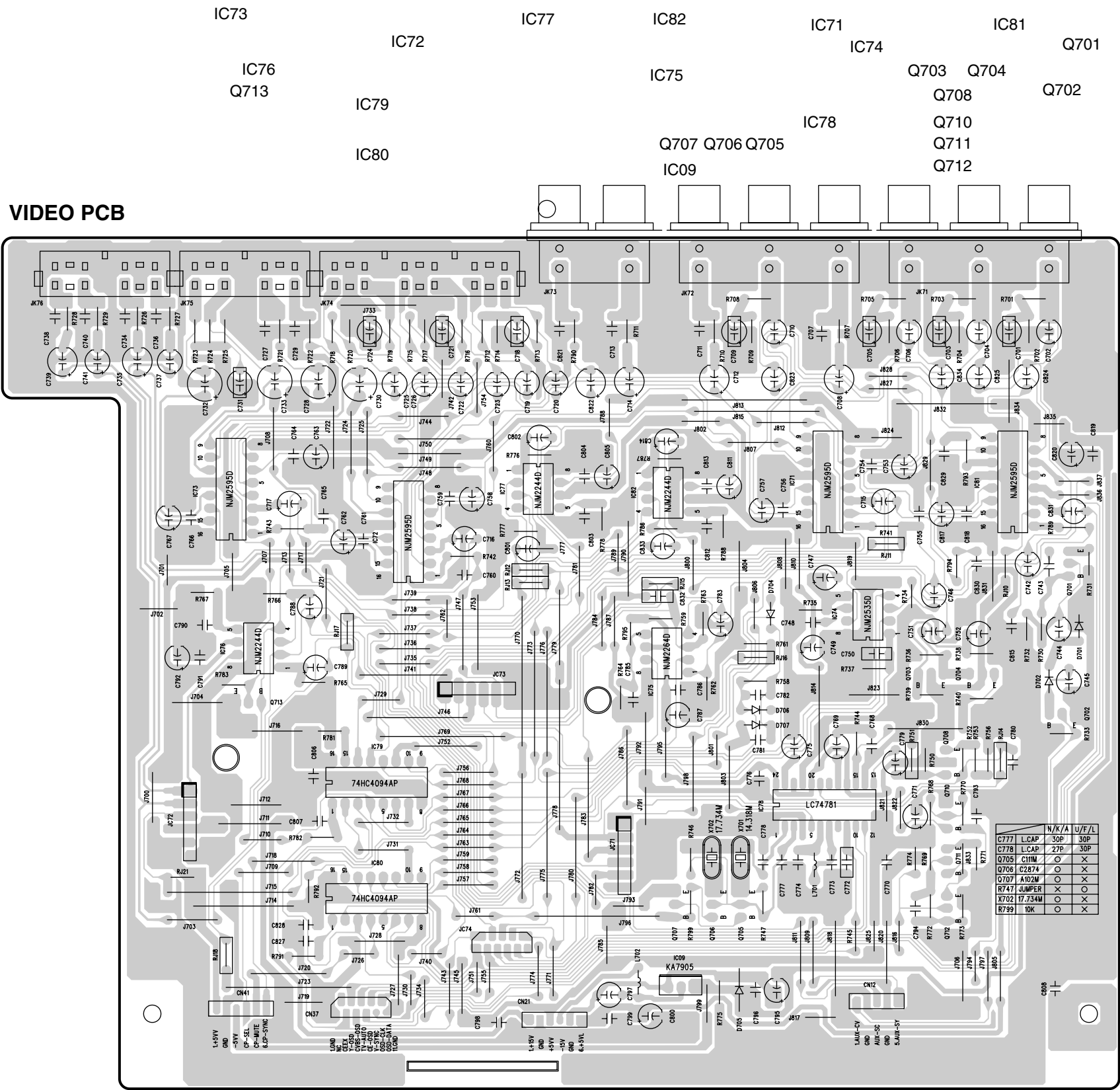
IC11 QC12 QC11 Q102  
 Q103 IC15 IC24  
 IC12 IC13 IC38 Q100 IC14 IC23 IC25  
 IC17 IC39 IC22 IC26  
 IC19 IC28 IC27  
 IC18 IC31 IC32 IC21 IC28  
 QC10 IC36 Q126  
 IC30 Q127  
 IC35 IC17 IC18  
 Q106 Q105 Q121 Q107  
 Q108 IC33  
 Q109 IC34 IC31 IC32 IC21  
 QC10 IC36 Q126  
 Q122 Q123 Q124 IC37 IC40 IC30 Q127

**DSP PCB A**

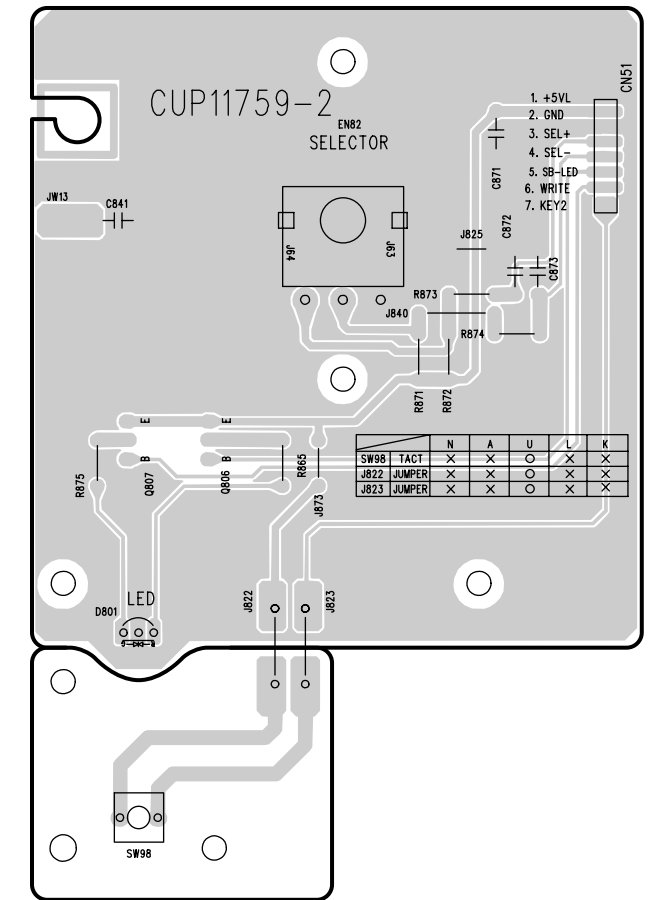




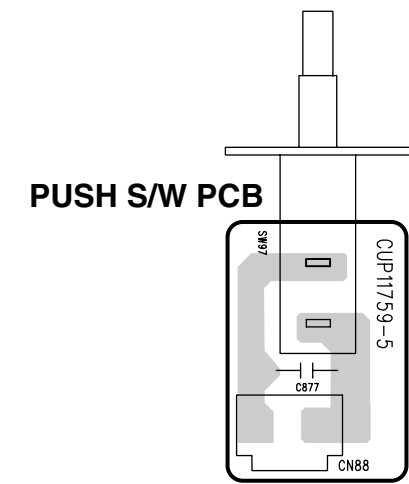
**VIDEO PCB**



**SELECTOR PCB**



**PUSH S/W PCB**





IC12

IC11

Q215	Q222
Q216	Q223
Q217	Q224
Q218	Q225
Q219	Q226
Q240	Q241
Q220	Q221

IC14

IC15

IC16

IC13

IC17

Q205	Q206	Q207	Q237	Q238	Q239	Q201	Q202	Q203	Q204
Q212	Q213	Q214	Q233	Q234	Q235	Q208	Q209	Q210	Q211
Q251									

IC94

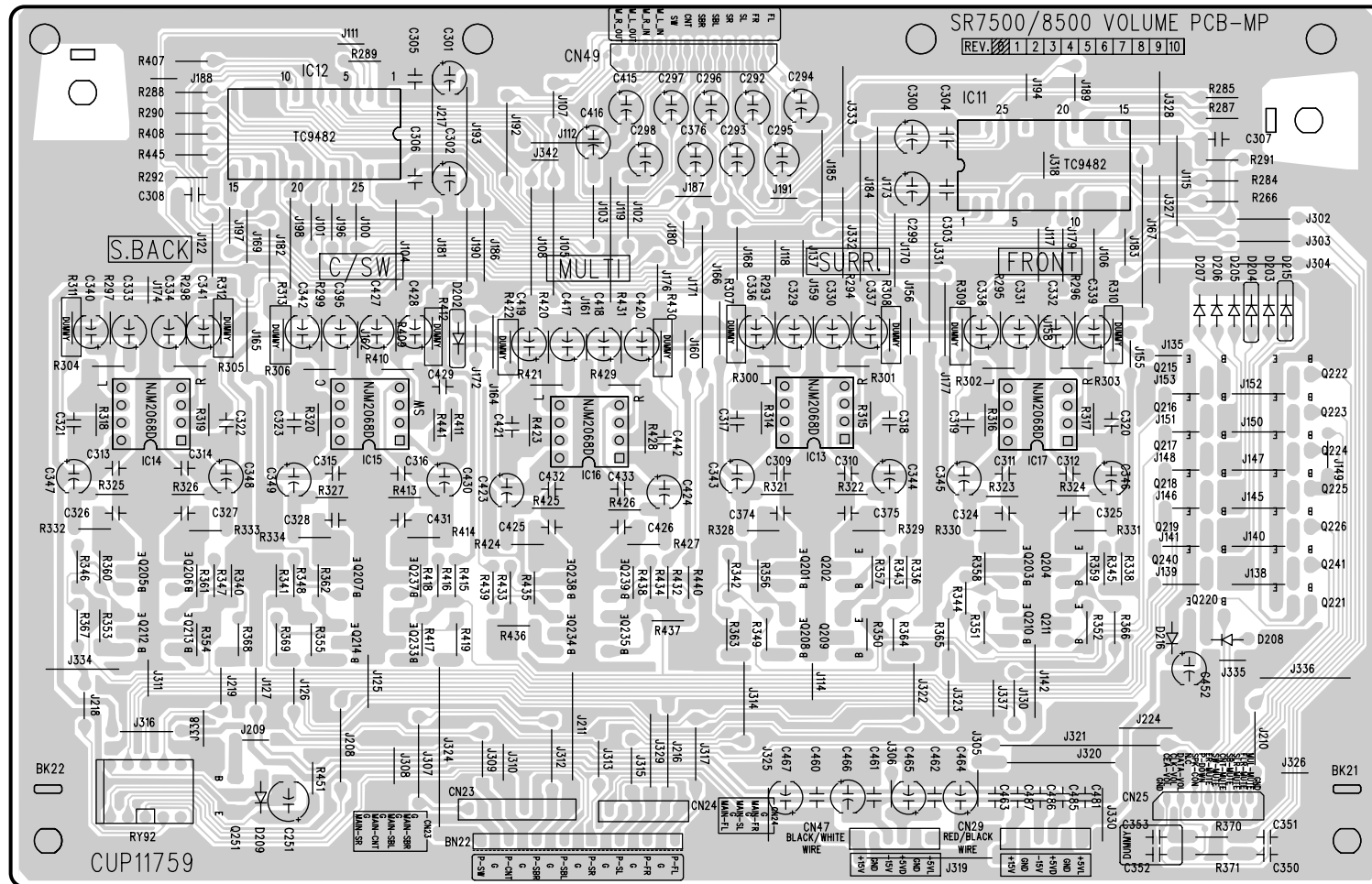
Q901 Q902

IC92

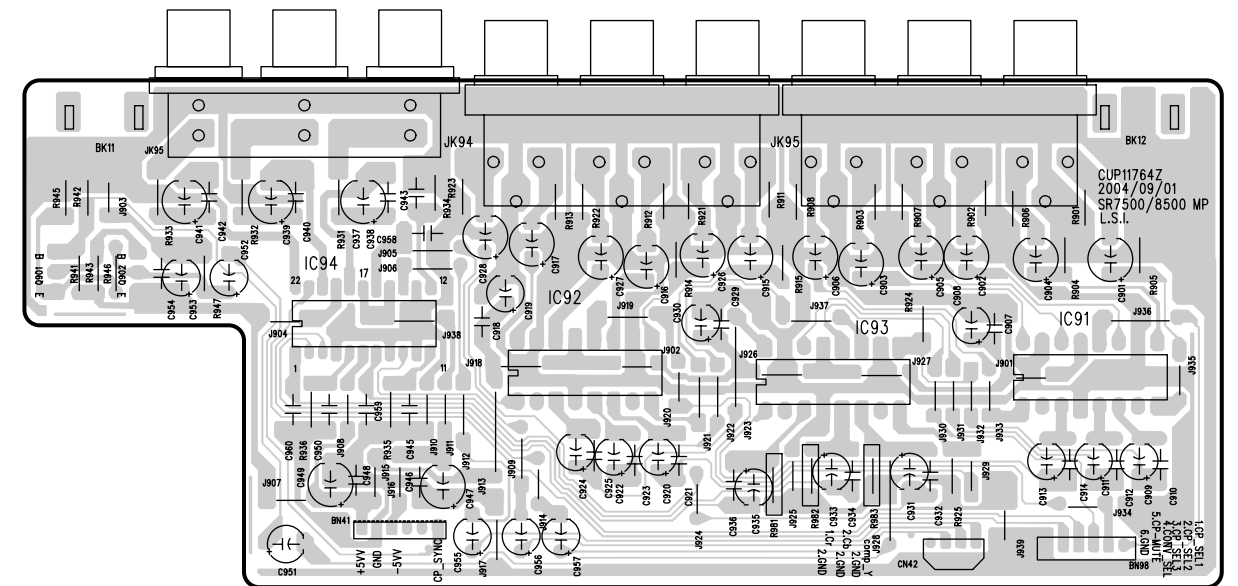
IC93

IC91

### VOLUME PCB



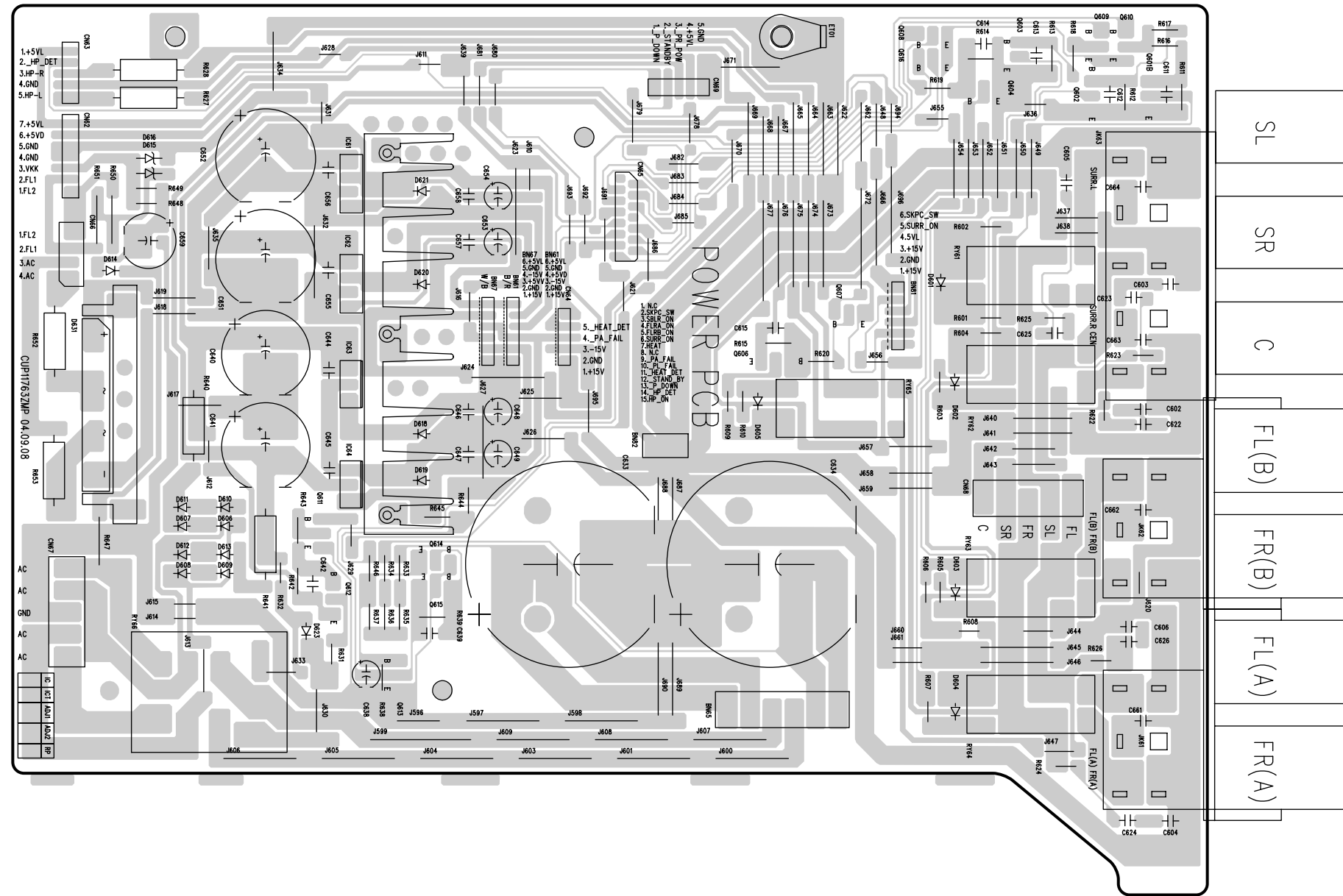
### COMPONENT PCB



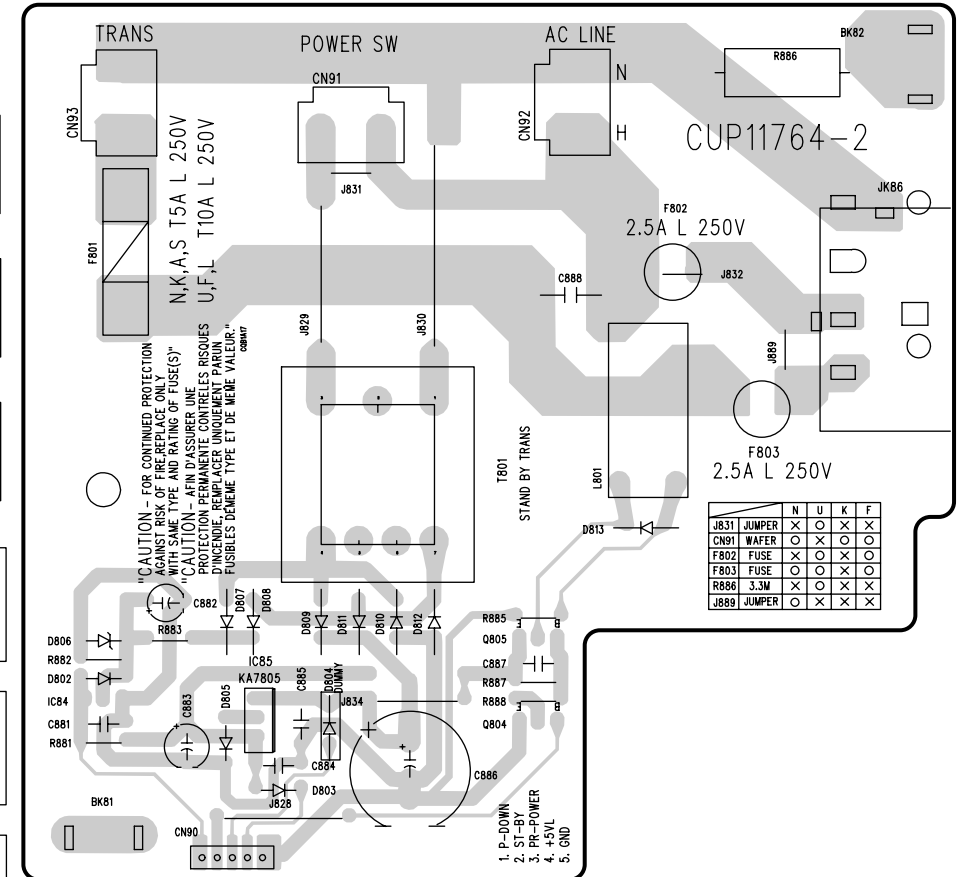


IC61  
 IC62  
 IC63  
 IC64  
 Q611  
 Q612  
 Q613  
 Q614  
 Q615  
 Q606  
 Q607  
 Q608  
 Q616  
 Q603  
 Q604  
 Q609 Q610  
 Q602 Q601  
 IC85  
 Q805  
 Q804

**POWER PCB**



**STANDBY PCB**



	N	U	K	F
J831 JUMPER	X	X	X	X
CN91 WAFER	X	X	X	X
F802 FUSE	X	X	X	X
F803 FUSE	X	X	X	X
R886 3.3M	X	X	X	X
J889 JUMPER	X	X	X	X

## 11. IC DATA

IC16 (DVI PCB) : SiI 160

### Functional Description

The SiI 160 is a DVI 1.0 compliant PanelLink transmitter in a compact package. It provides 48 bits for data to allow for panel support up to UXGA. Figure 2 shows the functional blocks of the chip.

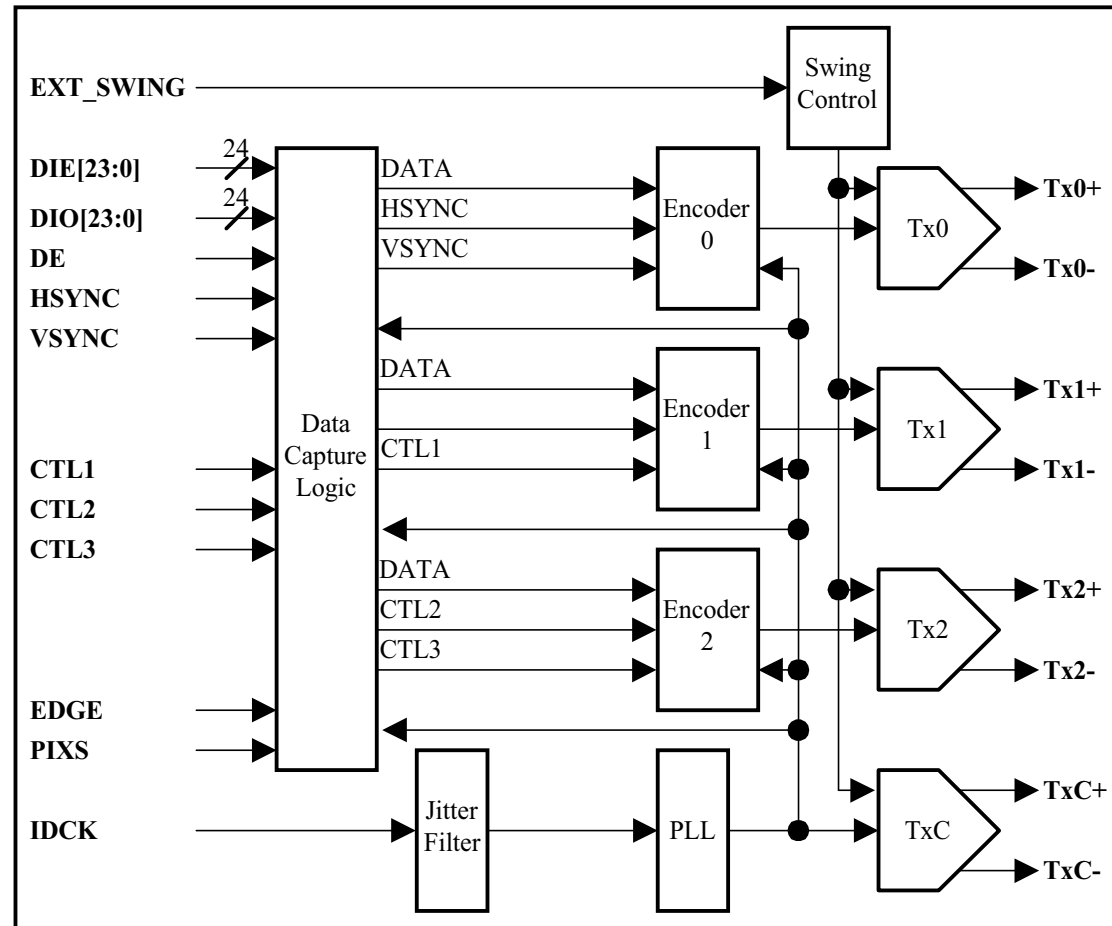


Figure 2. Functional Block Diagram

IC16 (DVI PCB) : SiI 160

### Pin Descriptions

#### Input Pins

Pin Name	Pin #	Type	Description
DIE23-DIE0	See SiI 160 Pin Diagram	In	Input Even Data[23:0] corresponds to 24-bit pixel data for 1-pixel/clock input mode and to the first 24-bit pixel data for 2-pixels/clock mode. Input data is synchronized with Input data clock (IDCK). Data can be latched on the rising or falling edge of IDCK depending on whether EDGE is high or low, respectively. Refer to TFT Panel Data Mapping in this document and DSTN Panel Data Mapping application note (SiI-AN-0007-A), which tabulates the relationship between the input data to the transmitter and output data from the Receiver
DIO23-DIO0	See SiI 160 Pin Diagram	In	Input Odd Data[23:0] corresponds to the second 24-bit pixel data for 2-pixels/clock mode. Tie all pins to low when not in use. Input data is synchronized with Input data clock (IDCK). Data can be latched on the rising or falling edge of IDCK depending on whether EDGE is high or low, respectively. <b>Dual Link is not supported.</b> Refer to TFT Panel Data Mapping in this document and DSTN Panel Data Mapping application note (SiI-AN-0007-A), which tabulates the relationship between the input data to the transmitter and output data from the Receiver
IDCK	80	In	Input Data Clock. Input data and control signals can be valid either on the falling or the rising edge of IDCK as selected by the EDGE pin.
DE	78	Out	Input Data Enable. This signal qualifies the active data area. DE is always required by the transmitter and must be high during active display time and low during blanking time.
HSYNC	76	In	Horizontal Sync input control signal.
VSYNC	77	In	Vertical Sync input control signal.
CTL1	84	In	General Input control signal 1.
CTL2	83	In	General Input control signal 2.
CTL3	82	In	General Input control signal 3.

#### Configuration Pins

Pin Name	Pin #	Type	Description
EDGE	24	In	Data/Control Latching Edge. A LOW level indicates that all input signals(DIE/DIO[23:0], HSYNC, VSYNC, DE and CTL[3:1]) are latched on the falling edge of IDCK, while a HIGH level(3.3V) indicates that all input signals are latched on the rising edge of IDCK.
PIXS	25	In	Pixel Select. A LOW level indicates one pixel (up to 24-bits) per clock mode using DIE[23:0]. A HIGH level (3.3V) indicates two pixels (up to 48-bits) per clock mode using DIE[23:0] for the first pixel and DIO[23:0] for the second pixel.

#### Power Management Pins

Pin Name	Pin #	Type	Description
PD	26	In	Power Down (active LOW). A HIGH level indicates normal operation. A LOW level indicates power down mode. During power down mode, all data (DIE/DIO[23:0]), data enable (DE), clock (IDCK) and control signals (HSYNC, VSYNC, CTL[3:1]), input buffers are disabled, all output buffers are tri-stated and all internal circuitry is powered down.

### Differential Signal Data Pins

Pin Name	Pin #	Type	Description
TX0+	40	Analog	TMDS Low Voltage Differential Signal input data pairs.  These pins are tri-stated when PD is asserted.
TX0-	39	Analog	
TX1+	43	Analog	
TX1-	42	Analog	
TX2+	46	Analog	
TX2-	45	Analog	
TXC+	35	Analog	TMDS Low Voltage Differential Signal input clock pair. These pins are tri-stated when PD is asserted.
TXC-	34	Analog	
EXT_SWING	32	Analog	Voltage Swing Adjust. A resistor should tie this pin to AVCC. This resistor determines the amplitude of the voltage swing. A 510Ω resistor is recommended for remote display applications. For notebook computers, 680Ω is recommended.

### Reserved Pins

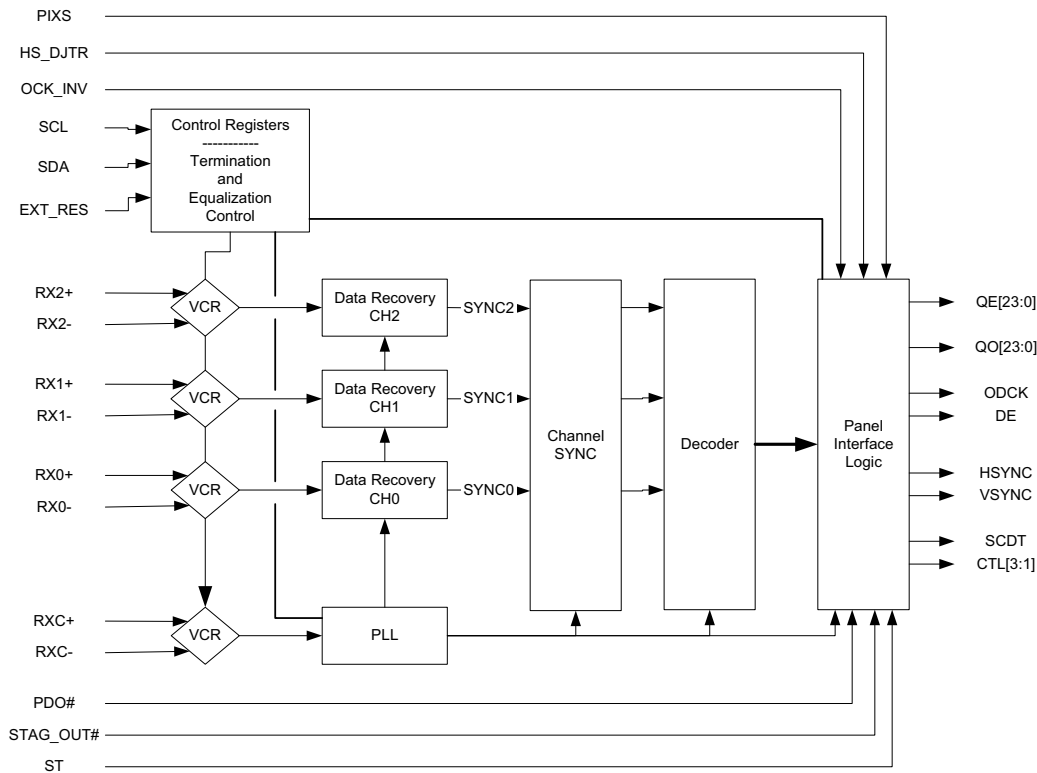
Pin Name	Pin #	Type	Description
RSVD	20	In	Reserved. Must be tied <b>HIGH</b> for normal operation.
RSVD	21	In	Reserved. Must be tied <b>LOW</b> for normal operation.
RSVD	22	In	Reserved. Must be tied <b>HIGH</b> for normal operation.
RSVD	23	In	Reserved. Must be tied <b>HIGH</b> for normal operation.
RSVD	27	In	Reserved. Must be tied <b>HIGH</b> for normal operation.
RSVD	28	In	Reserved. Must be tied <b>HIGH</b> for normal operation.
RSVD	29	In	Reserved. Must be tied <b>HIGH</b> for normal operation.
RSVD	87	In	Reserved. Must be tied <b>HIGH</b> for normal operation.

### Power and Ground Pins

Pin Name	Pin #	Type	Description
VCC	8,30,56,88	Power	Digital Core VCC, must be set to 3.3V.
GND	7,31,57,67,79,89	Ground	Digital Core GND.
IVCC	17,66,81,98	Power	Input VCC, must be set to 3.3V.
AVCC	36,38,44	Power	Analog VCC must be set to 3.3V.
AGND	33,37,41,47	Ground	Analog GND.
PVCC1	18	Power	Primary PLL Analog VCC must be set to 3.3V.
PVCC2	85	Power	Filter PLL Analog VCC must be set to 3.3V.
PGND1	19	Ground	PLL Analog GND. PGND1 should not be directly connected to PGND2 before being connected to the GROUND plane. They should be connected individually to the GROUND plane.
PGND2	86	Ground	PLL Analog GND. PGND2 should not be directly connected to PGND1 before being connected to the GROUND plane. They should be connected individually to the GROUND plane.

## Functional Description

The SiI 1161 is a DVI 1.0 compliant PanelLink receiver in a compact package. It provides 24 or 48 bits for data output, and allows for panel support up to UXGA. Figure 1 shows the functional blocks of the chip.



**Figure 1. Functional Block Diagram**

The PanelLink TMDS core accepts as inputs the three TMDS differential data lines and the differential clock. The core senses the signals on the link and properly decodes them providing accurate pixel data. The core outputs the necessary sync signals (HSYNC, VSYNC), clock (ODCK), and a DE signal that goes high when the active region of the video is present.

The SCDT signal is output when there is active video on the DVI link and the PLL in the TMDS has locked on to the video. SCDT can be used to trigger external circuitry, indicating that an active video signal is present or used to place the device in power down when no signal is present (by tying it to PDO#). The EXT\_RES component is used for impedance matching.

## Pin Descriptions

### Output Pins

Pin Name	Pin #	Type	Description
QE23- QE0	See SiI 1161 Pin Diagram	Out	Output Even Data[23:0] corresponds to 24-bit pixel data for one pixel per clock input mode and to the first 24-bit pixel data for two pixels per clock mode. Output data is synchronized with output data clock (ODCK). Refer to the TFT Panel Data Mapping section, which tabulates the relationship between the input data to the transmitter and output data from the receiver. A low level on PD# or PDO# will put the output drivers into a high impedance (tri-state) mode. A weak internal pull-down device brings each output to ground.
QO23- QO0	See SiI 1161 Pin Diagram	Out	Output Odd Data[23:0] corresponds to the second 24-bit pixel data for two pixels per clock mode. During one pixel per clock mode, these outputs are driven low. Output data is synchronized with output data clock (ODCK). Refer to the TFT Panel Data Mapping section, which tabulates the relationship between the input data to the transmitter and output data from the receiver. A low level on PD# or PDO# will put the output drivers into a high impedance (tri-state) mode. A weak internal pull-down device brings each output to ground.
ODCK	44	Out	Output Data Clock. This output can be inverted using the OCK_INV pin. A low level on PD# or PDO# will put the output driver into a high impedance (tri-state) mode. A weak internal pull-down device brings the output to ground.
DE	46	Out	Output Data Enable. This signal qualifies the active data area. A HIGH level signifies active display time and a LOW level signifies blanking time. This output signal is synchronized with the output data. A low level on PD# or PDO# will put the output driver into a high impedance (tri-state) mode. A weak internal pull-down device brings the output to ground.
HSYNC VSYNC CTL1 CTL2 CTL3	48 47 40 41 42	Out	Horizontal Sync output control signal. Vertical Sync output control signal. General output control signal 1. This output is <b>not</b> powered down by PDO#. General output control signal 2. General output control signal 3. A low level on PD# or PDO# will put the output drivers (except CTL1 by PDO#) into a high impedance (tri-state) mode. A weak internal pull-down device brings each output to ground.

### Differential Signal Data Pins

Pin Name	Pin #	Type	Description
RX0+ RX0- RX1+ RX1- RX2+ RX2-	90 91 85 86 80 81	Analog	Receiver Differential Data Pins. TMDS Low Voltage Differential Signal input data pairs.
RXC+ RXC-	93 94	Analog	Receiver Differential Clock Pins. TMDS Low Voltage Differential Signal input clock pair.
EXT_RES	96	Analog	Impedance Matching Control. An external 390Ω resistor must be connected between AVCC and this pin.

### Configuration Pins

Pin Name	Pin #	Type	Description
MODE	99	In	Mode Select Pin. Used to select between drop-in strap-selected operation, or register-programmable operation. To activate register-programmable operation, tie both pin 99 and pin 7 LOW. Refer to Selecting SiI 1161 (Programmable) Mode on page 31 for more details. HIGH=161B (Compatible) Mode – strap selections are used to set part operation. Internal registers controlling non strap-selectable functions are reset to their default values. LOW=1161 (Programmable) Mode – I <sup>2</sup> C registers are used to program part operation.
OCK_INV	100	In	ODCK Polarity. A LOW level selects normal ODCK output. A HIGH level selects inverted ODCK output. All other output signals are unaffected by this pin. They will maintain the same timing no matter the setting of OCK_INV pin
SCL			I <sup>2</sup> C Port Clock. When pins 99 and 7 are tied LOW, pin 100 functions as an I <sup>2</sup> C port input clock. The slave I <sup>2</sup> C function does not ever try to extend cycles by pulling this pin low, so the pin remains input-only at all times. Refer to Selecting SiI 1161 (Programmable) Mode on page 31 for more details. This pin accepts 3.3V signaling only; it is not 5V-tolerant.
PIXS	4	In	Pixel Select. A LOW level indicates one pixel (up to 24-bits) per clock mode using QE[23:0]. A HIGH level indicates two pixels (up to 48-bits) per clock mode using QE[23:0] for first pixel and QO[23:0] for second pixel.
STAG_OUT#	7	In	Staggered Output. A HIGH level selects normal simultaneous outputs on all odd and even data lines. A LOW level selects staggered output drive. This function is only available in two pixels per clock mode.
I2C_MODE#			This pin must be tied LOW to put the receiver into I <sup>2</sup> C mode. Refer to Selecting SiI 1161 (Programmable) Mode on page 31 for more details.
ST	3	In/ Out	Output Drive. A HIGH level selects HIGH output drive strength. A LOW level selects LOW output drive strength.
SDA			I <sup>2</sup> C Port Data. When pins 99 and 7 are tied LOW, pin 3 functions as an I <sup>2</sup> C port data I/O signal. Refer to Selecting SiI 1161 (Programmable) Mode on page 31 for more details. This pin accepts 3.3V signaling only; it is not 5V-tolerant.
HS_DJTR	1	In	HSYNC De-jitter. This pin enables/disables the HSYNC de-jitter function. To enable the HSYNC de-jitter function this pin should be HIGH. To disable the HSYNC de-jitter function this pin should be LOW.

### Power Management Pins

Pin Name	Pin #	Type	Description
SCDT	8	Out	Sync Detect. A HIGH level is outputted when DE is actively toggling indicating that the link is alive. A LOW level is outputted when DE is inactive, indicating the link is down. Can be connected to PDO# to power down the outputs when DE is not detected. The SCDT output itself, however, remains in the active mode at all times.
PDO#	9	In	Output Driver Power Down (active LOW). A HIGH level indicates normal operation. A LOW level puts all the output drivers only (except SCDT and CTL1) into a high impedance (tri-state) mode. A weak internal pull-down device brings each output to ground. PDO# is a sub-set of the PD# description. The chip is not in power-down mode with this pin. SCDT and CTL1 are not tri-stated by this pin.
PD#	2	In	Power Down (active LOW). A HIGH level indicates normal operation. A LOW level indicates power down mode. During power down mode, all the output drivers are put into a high impedance (tri-state) mode. A weak internal pull-down device brings each output to ground. Additionally, all analog logic is powered down, and all inputs are disabled. Driving PD# LOW disables all internal logic and outputs, including SCDT and clock detect functions; it also resets all internal programmable registers to their default states.

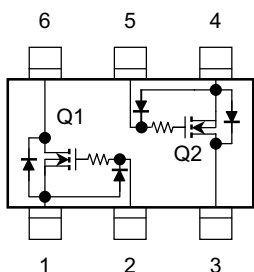
IC11 IC12 (DVI PCB) : Sil 1161

Power and Ground Pins

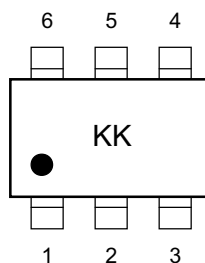
Pin Name	Pin #	Type	Description
VCC	6,38,67	Power	Digital Core VCC, must be set to 3.3V.
GND	5,39,68	Ground	Digital Core GND.
OVCC	18,29,43,57,78	Power	Output VCC, must be set to 3.3V.
OGND	19,28,45,58,76	Ground	Output GND.
AVCC	82,84,88,95	Power	Analog VCC must be set to 3.3V.
AGND	79,83,87,89,92	Ground	Analog GND.
PVCC	97	Power	PLL Analog VCC must be set to 3.3V.
PGND	98	Ground	PLL Analog GND.

Q121 (VIDEO CONVERTER PCB) : HN1K05FU

Equivalent Circuit (top view)



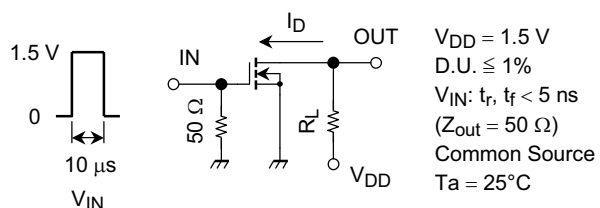
Marking



(Q1, Q2 common)

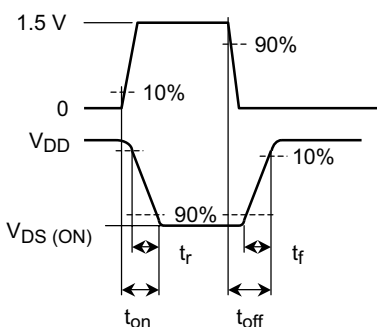
Switching Time Test Circuit

(a) Test circuit



(b)  $V_{IN}$

$V_{GS}$



(c)  $V_{OUT}$

$V_{DS}$

**QUAD 2 - CHANNEL MULTIPLEXER**

The TC74VHC157 is an advanced high speed CMOS QUAD 2 - CHANNEL MULTIPLEXER fabricated with silicon gate C<sup>2</sup>MOS technology.

It achieves the high speed operation similar to equivalent Bipolar Schottky TTL while maintaining the CMOS low power dissipation.

It consists of four 2 - input digital multiplexers with common select and strobe inputs.

When the STROBE input is held "H" level, selection of data is inhibited and all the outputs become "L" level.

The SELECT decoding determines whether the A or B inputs get routed to their corresponding Y outputs.

An Input protection circuit ensures that 0 to 5.5V can be applied to the input pins without regard to the supply voltage. This device can be used to interface 5V to 3V systems and on two supply systems such as battery back up. This circuit prevents device destruction due to mismatched supply and input voltages.

**FEATURES :**

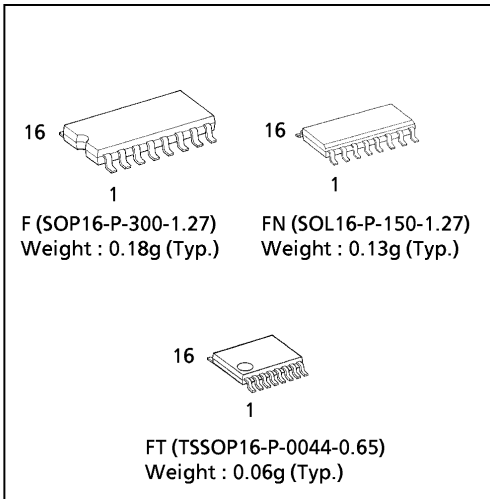
- High Speed..... $t_{pd} = 4.1ns(\text{typ.})$  at  $V_{CC} = 5V$
- Low Power Dissipation..... $I_{CC} = 4\mu A(\text{Max.})$  at  $T_a = 25^\circ C$
- High Noise Immunity..... $V_{NIH} = V_{NIL} = 28\% V_{CC} (\text{Min.})$
- Power Down Protection is provided on all inputs.
- Balanced Propagation Delays..... $t_{pLH} \approx t_{pHL}$
- Wide Operating Voltage Range..... $V_{CC} (\text{opr}) = 2V \sim 5.5V$
- Low Noise ..... $V_{OLP} = 0.8V (\text{Max.})$
- Pin and Function Compatible with 74ALS157

**TRUTH TABLE**

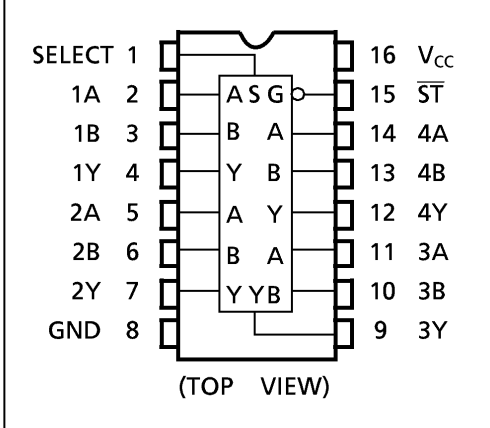
INPUTS				OUTPUT
$\overline{ST}$	SELECT	A	B	
H	X	X	X	L
L	L	L	X	L
L	L	H	X	H
L	H	X	L	L
L	H	X	H	H

X : Don't Care

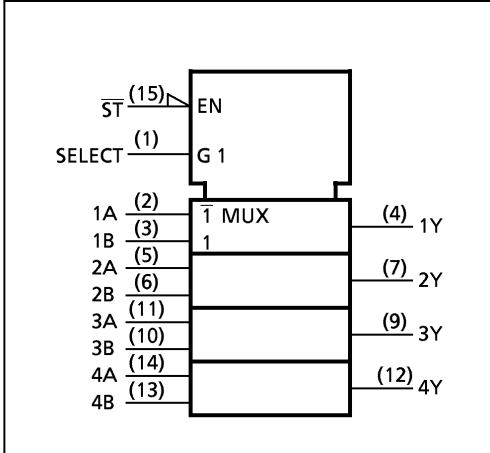
(Note) The JEDEC SOP (FN) is not available in Japan.



**PIN ASSIGNMENT**



**IEC LOGIC SYMBOL**





# IC94 (COMPONENT PCB) : NJM2586

## GENERAL DESCRIPTION

The **NJM2586** is a wide band 3-input 1-output 3-circuit video amplifier. It is suitable for Y, Pb, and Pr signal because frequency range is 50MHz. The **NJM2586** is suitable for AV receiver, STB, and other high quality AV systems.

## PACKAGE OUTLINE



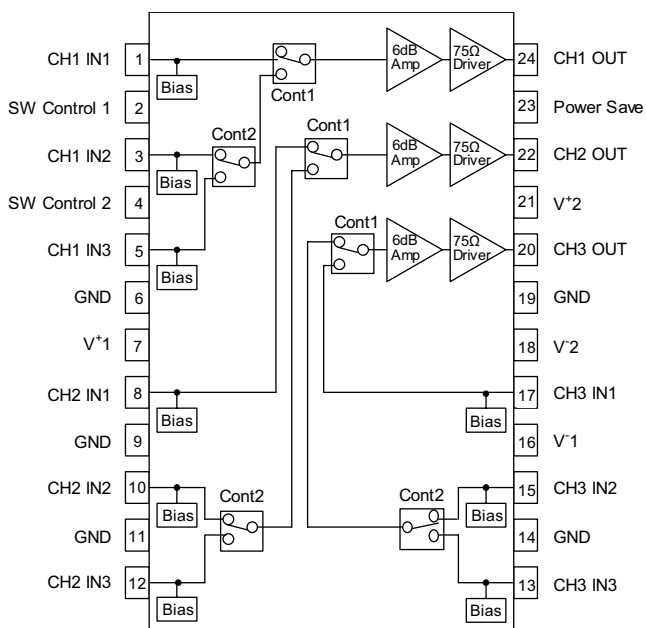
NJM2586M

NJM2586L

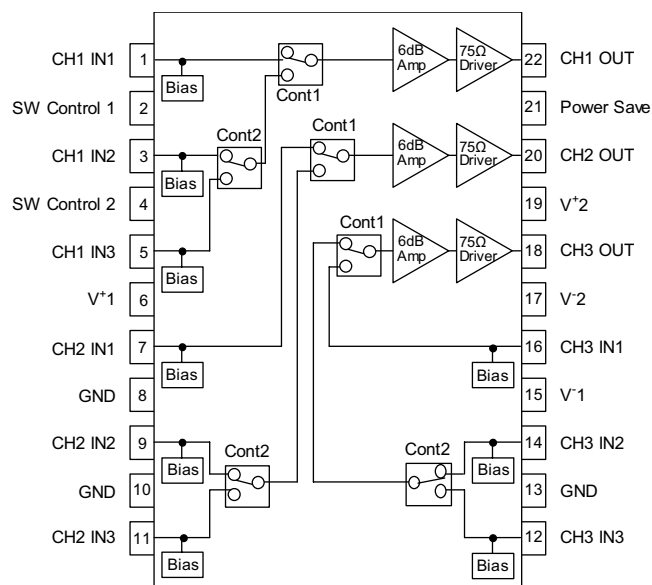
## FEATURES

- Operating Voltage ±4.5 to ±5.5V
- Wide frequency range 0dB at 50MHz typ.
- Internal 3 input-1output 3-circuit video switch
- Internal 6dB Amplifier
- Internal 75Ω Driver Circuit
- Power Save Circuit
- Bipolar Technology
- Package Outline DMP24, SDIP22

## BLOCK DIAGRAM



DMP24



SDIP22

IC23 (INPUT PCB) : TC9162AN

IC21 (INPUT PCB) : TC9164AN

**PIN CONNECTION (TOP VIEW)**

TC9162AN / AF

VSS	1	28	VDD
L-S1	2	27	R-S1
L-S2	3	26	R-S2
L-COM1	4	25	R-COM1
L-S3	5	24	R-S3
L-S4	6	23	R-S4
L-COM2	7	22	R-COM2
L-S5	8	21	R-S5
L-S6	9	20	R-S6
L-COM3	10	19	R-COM3
L-S7	11	18	R-S7
L-COM4	12	17	R-COM4
ST	13	16	DATA
GND	14	15	CK

TC9163AN / AF

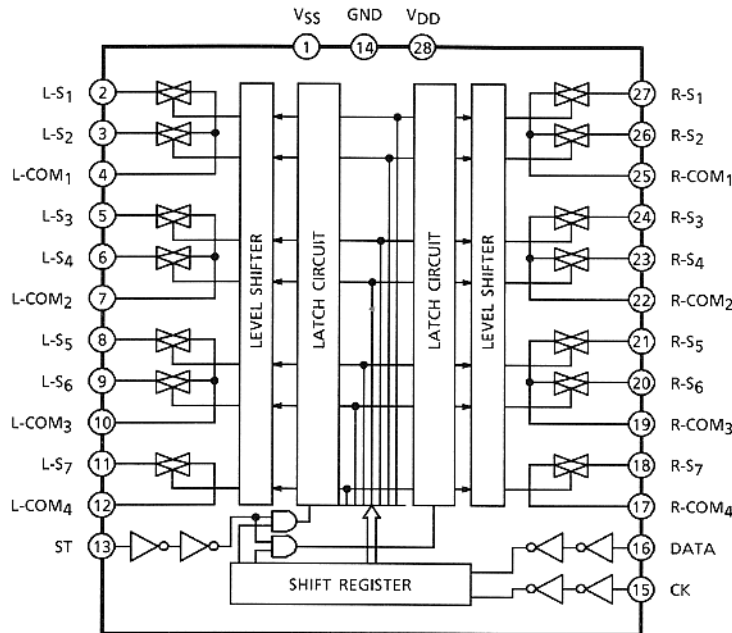
VSS	1	28	VDD
L-S1	2	27	R-S1
L-S2	3	26	R-S2
L-S3	4	25	R-S3
L-COM1	5	24	R-COM1
L-S4	6	23	R-S4
L-S5	7	22	R-S5
L-S6	8	21	R-S6
L-COM2	9	20	R-COM2
L-S7	10	19	R-S7
L-S8	11	18	R-S8
L-COM3	12	17	R-COM3
ST	13	16	DATA
GND	14	15	CK

TC9164AN / AF

VSS	1	28	VDD
L-S1	2	27	R-S1
L-S2	3	26	R-S2
L-S3	4	25	R-S3
L-S4	5	24	R-S4
L-COM1	6	23	R-COM1
L-S5	7	22	R-S5
L-S6	8	21	R-S6
L-COM2	9	20	R-COM2
L-S7	10	19	R-S7
L-S8	11	18	R-S8
L-COM3	12	17	R-COM3
ST	13	16	DATA
GND	14	15	CK

**BLOCK DIAGRAM**

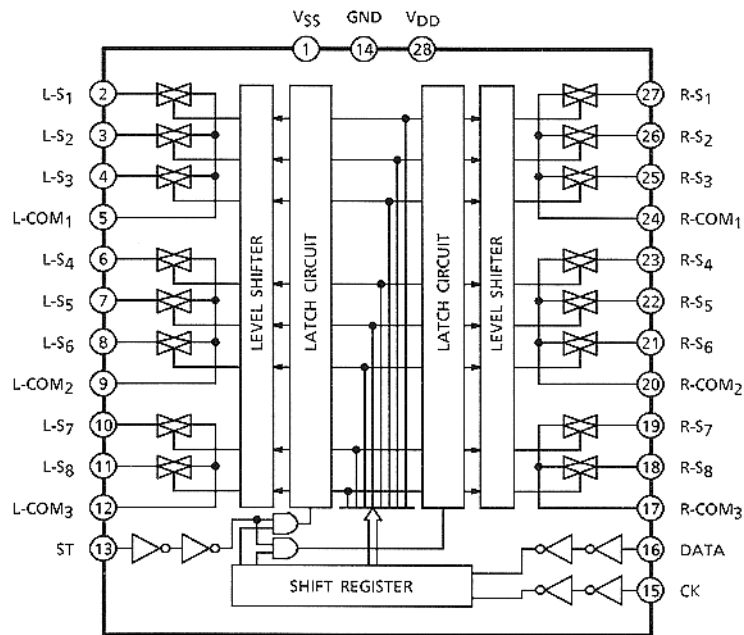
TC9162AN / AF



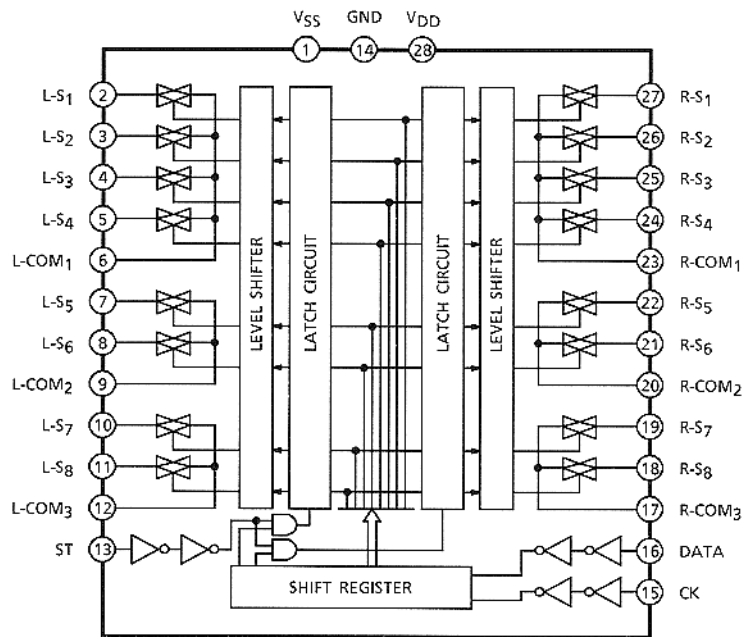
IC23 (INPUT PCB) : TC9162AN

IC21 (INPUT PCB) : TC9164AN

TC9163AN / AF



TC9164AN / AF

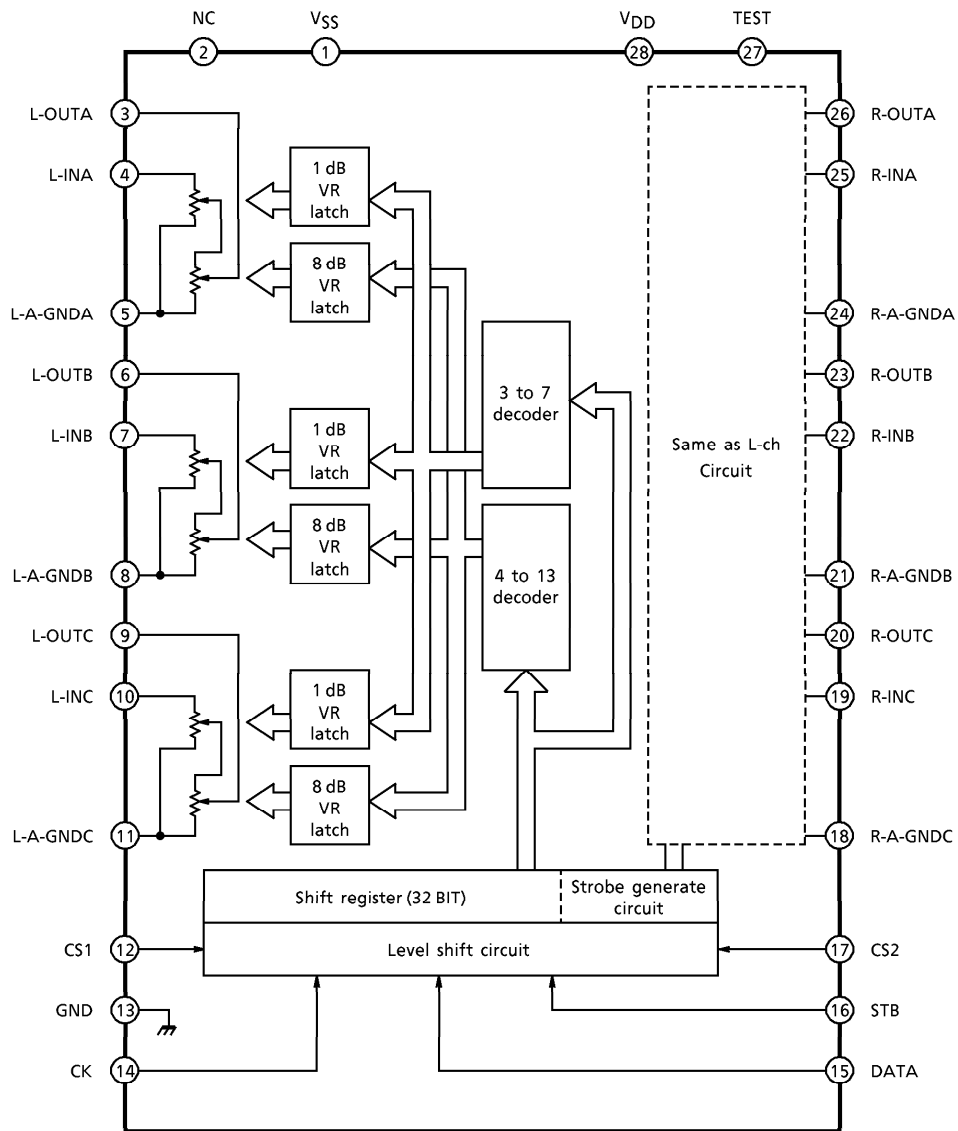


IC11, IC12 (VOLUME PCB) : TC9482

PIN CONNECTIONS

VSS	1	28	VDD
NC	2	27	TEST
L-OUTA	3	26	R-OUTA
L-INA	4	25	R-INA
L-A-GNDA	5	24	R-A-GNDA
L-OUTB	6	23	R-OUTB
L-INB	7	22	R-INB
L-A-GNDB	8	21	R-A-GNDB
L-OUTC	9	20	R-OUTC
L-INC	10	19	R-INC
L-A-GNDC	11	18	R-A-GNDC
CS1	12	17	CS2
GND	13	16	STB
CK	14	15	DATA

BLOCK DIAGRAM

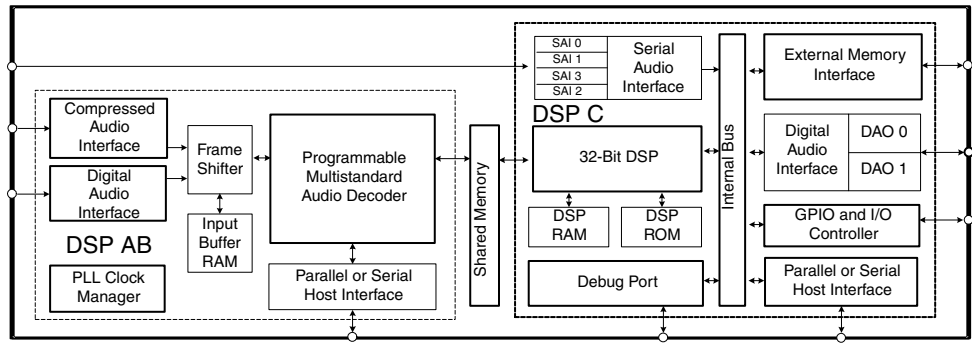


IC11, IC12 (VOLUME PCB) : TC9482

PIN DESCRIPTION

PIN No.	SYMBOL	PIN NAME	FUNCTION	REMARK
1	V <sub>SS</sub>	Negative power supply pin	● Power Supply Pins	—
28	V <sub>DD</sub>	Positive power supply pin		
3	L-OUTA	Volume output pin	● Volume circuit	—
26	R-OUTA			
6	L-OUTB			
22	R-OUTB			
9	L-OUTC			
19	R-OUTC			
4	L-INA	Volume input pin		—
25	R-INA			
7	L-INB			
22	R-INB			
10	L-INC			
19	R-INC			
5	L-A-GNDA	Analog GND pin		
24	R-A-GNDA			
8	L-A-GNDB			
21	R-A-GNDB			
11	L-A-GNDC			
18	R-A-GNDC			
12	CS1	Chip select input pin	Up to 4 chips on the same bus can be used by switching over chip select code.	—
17	CS2			
14	CK	Clock input pin	Inputs clock for serial data transfer.	Low threshold value input pin
15	DATA	Data input pin	Inputs control data for setting volume.	
16	STB	Strobe input pin	Inputs strobe for writing data.	
13	GND	Digital GND pin	Digital ground pin	—
27	TEST	Test Pin	Normally connect to V <sub>DD</sub> pin.	—
2	NC	No connection	—	—

# IC19 (DSP PCB) : CS4900 Family



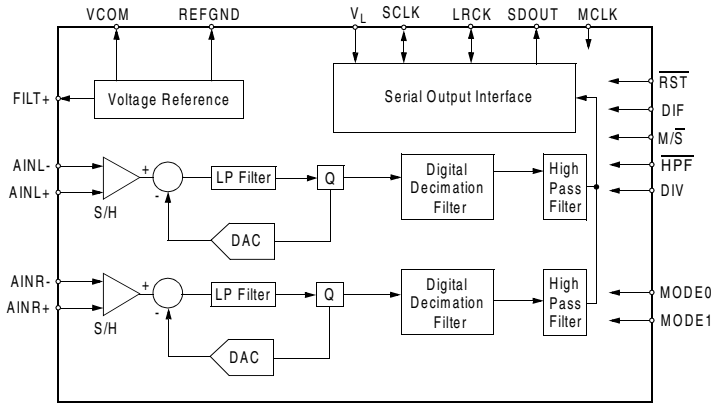
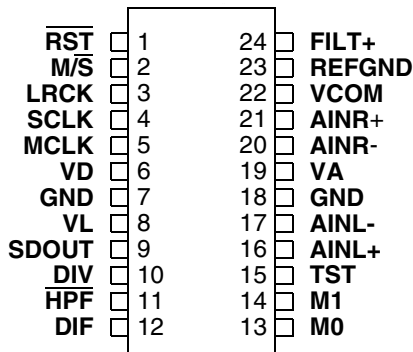
Pin No.	I/O	Function	Description
1	I/O	UHS0, GPIO18	Mode Select Bit 0, General Purpose I/O
2	I/O	UHS1, GPIO19	Mode Select Bit 1, General Purpose I/O
3		INTREQ	Control Port Interrupt Request
4	I	FA1, FSCDIN	Host Address Bit One or SPI Serial Control Data Input
5	I/O	GPIO20	General Purpose I/O
6	I	FA0, FSCCLK	Host Parallel Address Bit Zero or Serial Control Port Clock
7	I/O	FHS2, FSCDIO, FSCDOUT	Mode Select Bit 2 or Serial Control Port Data Input and Output, Parallel Port Type Select
8	I/O	GPIO21	General Purpose I/O
9		FDAT7	DSP AB Bidirectional Data Bus
10		VDD6	2.5V Supply Voltage
11		VSS6	2.5V Ground
12		FHS0, FWR, FDS	Mode Select Bit 0 or Host Write Strobe or Host Data Strobe
13	O	FHS1, FRD, FRW	Mode Select Bit 1 or Host Parallel Output Enable or Host Parallel R/W
14		FDAT6	DSP AB Bidirectional Data Bus
15	I	FCS	Host Parallel Chip Select, Host Serial SPI Chip Select
16	O	FINTREQ	Control Port Interrupt Request
17		FDBCK	Reserved
18		FDAT5	DSP AB Bidirectional Data Bus
19		FDAT4	DSP AB Bidirectional Data Bus
20		VDD7	2.5V Supply Voltage
21		VSS7	2.5V Ground
22		FDAT3	DSP AB Bidirectional Data Bus
23		FDBDA	Reserved
24		FDAT2	DSP AB Bidirectional Data Bus
25		DBDA	Debug Data
26		DBCK	Debug Clock
27		FDAT1	DSP AB Bidirectional Data Bus
28		TEST	Reserved
29		FDAT0	DSP AB Bidirectional Data Bus
30	I/O	NV_WE, GPIO16	SRAM Write Enable, General Purpose I/O
31	I/O	NV_OE, GPIO15	SRAM Output Enable, General Purpose I/O
32	I/O	NV_CS, GPIO14	SRAM Chip Select, General Purpose I/O
33		SD_WE	SDRAM Write Enable
34		SD_DATA0, EXTD0	SDRAM Data Bus, SRAM External Data Bus
35		SD_DATA1, EXTD1	SDRAM Data Bus, SRAM External Data Bus
36		SD_DATA2, EXTD2	SDRAM Data Bus, SRAM External Data Bus
37		SD_DATA3, EXTD3	SDRAM Data Bus, SRAM External Data Bus
38		SD_DATA4, EXTD4	SDRAM Data Bus, SRAM External Data Bus
39		SD_DQM0	SDRAM Data Mask 2
40		SD_DATA5, EXTD5	SDRAM Data Bus, SRAM External Data Bus
41		VSSSD4	3.3V SDRAM/SRAM/EPROM Interface Ground
42		VDDSD4	3.3V SDRAM/SRAM/EPROM Interface Supply
43		SD_DATA6, EXTD6	SDRAM Data Bus, SRAM External Data Bus
44		SD_DATA7, EXTD7	SDRAM Data Bus, SRAM External Data Bus
45		SD_DQM1	SDRAM Data Mask 1
46		SD_DATA15, EXTA18	SDRAM Data Bus, SRAM External Address Bus
47		SD_DATA14, EXTA17	SDRAM Data Bus, SRAM External Address Bus
48		NC5	No Connect
49		SD_DATA13, EXTA16	SDRAM Data Bus, SRAM External Address Bus
50		VSSSD3	3.3V SDRAM/SRAM/EPROM Interface Ground
51		VDDSD3	3.3V SDRAM/SRAM/EPROM Interface Supply
52		SD_DATA12, EXTA15	SDRAM Data Bus, SRAM External Address Bus

53		SD_DATA11, EXTA14	SDRAM Data Bus, SRAM External Address Bus
54		SD_DATA10, EXTA13	SDRAM Data Bus, SRAM External Address Bus
55		SD_DATA9, EXTA12	SDRAM Data Bus, SRAM External Address Bus
56		SD_DATA8, EXTA11	SDRAM Data Bus, SRAM External Address Bus
57		VSSSD2	3.3V SDRAM/SRAM/EPROM Interface Ground
58		VDDSD2	3.3V SDRAM/SRAM/EPROM Interface Supply
59	O	SD_CLK_OUT	SDRAM Clock Output
60		SD_ADDR9, EXTA9	SDRAM Address Bus, SRAM External Address Bus
61	I	SD_CLK_IN	SDRAM Re-timing Clock Input
62		SD_ADDR8, EXTA8	SDRAM Address Bus, SRAM External Address Bus
63		SD_ADDR7, EXTA7	SDRAM Address Bus, SRAM External Address Bus
64		SD_CLK_EN	SDRAM Clock Enable
65		SD_ADDR6, EXTA6	SDRAM Address Bus, SRAM External Address Bus
66		SD_ADDR5, EXTA5	SDRAM Address Bus, SRAM External Address Bus
67		SD_ADDR4, EXTA4	SDRAM Address Bus, SRAM External Address Bus
68		SD_CS	SDRAM Chip Select
69		VSSSD1	3.3V SDRAM/SRAM/EPROM Interface Ground
70		VDDSD1	3.3V SDRAM/SRAM/EPROM Interface Supply
71		SD_BA, EXTA19	SDRAM Bank Address Select, SRAM External Address Bus
72		SD_ADDR10, EXTA10	SDRAM Address Bus, SRAM External Address Bus
73		SD_ADDR0, EXTA0	SDRAM Address Bus, SRAM External Address Bus
74		SD_ADDR1, EXTA1	SDRAM Address Bus, SRAM External Address Bus
75		SD_ADDR2, EXTA2	SDRAM Address Bus, SRAM External Address Bus
76		SD_ADDR3, EXTA3	SDRAM Address Bus, SRAM External Address Bus
77		SD_RAS	SDRAM Row Address Strobe
78		SD_CAS	SDRAM Column Address Strobe
79	I/O	SDATAN3, GPIO27	PCM Audio Input Data, General Purpose I/O
80	I/O	SDATAN2, GPIO26	PCM Audio Input Data, General Purpose I/O
81	I/O	SDATAN1, GPIO25	PCM Audio Input Data, General Purpose I/O
82	I/O	SDATAN0, GPIO24	PCM Audio Input Data, General Purpose I/O
83		NC4	No Connect
84		NC3	No Connect
85	I/O	LRCLKN, GPIO23	PCM Audio Input Sample Rate Clock, General Purpose I/O
86	I/O	SCLKN, GPIO22	PCM Audio Input Bit Clock, General Purpose I/O
87	O	LRCLK1	Audio Output Sample Rate Clock
88		NC2	No Connect
89		NC1	No Connect
90		VDD1	2.5V Supply Voltage
91		VSS1	2.5V Ground
92	I/O	AUDATA7, XMT958B, GPIO31	Digital Audio Output 7, S/PDIF Transmitter, General Purpose I/O
93	I/O	AUDATA6, GPIO30	Digital Audio Output 6, General Purpose I/O
94	I/O	AUDATA5, GPIO29	Digital Audio Output 5, General Purpose I/O
95	I/O	HDATA7, GPIO7	DSP C Bidirectional Data Bus, General Purpose I/O
96	I/O	HDATA6, GPIO6	DSP C Bidirectional Data Bus, General Purpose I/O
97	I/O	HDATA5, GPIO5	DSP C Bidirectional Data Bus, General Purpose I/O
98	O	SCLK1	Audio Output Bit Clock

## IC19 (DSP PCB) : CS4900 Family

99		MCLK	Audio Master Clock
100		VDD2	2.5V Supply Voltage
101		VSS2	2.5V Ground
102	I/O	AUDATA4, GPIO28	Digital Audio Output 4, General Purpose I/O
103	I/O	HDATA4, GPIO4	DSP C Bidirectional Data Bus, General Purpose I/O
104	O	SCLK0	Audio Output Bit Clock
105	I/O	HDATA3, GPIO3	DSP C Bidirectional Data Bus, General Purpose I/O
106	O	AUDATA3, XMT958A	Digital Audio Output 3, S/PDIF Transmitter
107	O	AUDATA2	Digital Audio Output 2
108	O	LRCLK0	Audio Output Sample Rate Clock
109	O	AUDATA1	Digital Audio Output 1
110	O	AUDATA0	Digital Audio Output 0
111	I	CMPCLK, FSCLKN2	PCM Audio Input Bit Clock
112	I/O	HDATA2, GPIO2	DSP C Bidirectional Data Bus, General Purpose I/O
113		VSS3	2.5V Ground
114		VDD3	2.5V Supply Voltage
115	I/O	HDATA1, GPIO1	DSP C Bidirectional Data Bus, General Purpose I/O
116	I/O	HDATA0, GPIO0	DSP C Bidirectional Data Bus, General Purpose I/O
117	O	CMPREQ, FLRCLKN2	Frame Clock Data Request Out
118	I	CMPDAT, FSDATAN2	PCM Audio Data Input Number Two
119	I	FLRCLKN1	PCM Audio Input Sample Rate Clock
120	I/O	WR, DS, GPIO10	Host Write Strobe, Host Data Strobe, General Purpose I/O
121	I/O	RD, R/W, GPIO11	Host Parallel Output Enable, Host Parallel R/W, General Purpose I/O
122		PLLVSS	PLL Ground Voltage
123		FILT2	Phase Locked Loop Filter
124		FILT1	Phase-Locked Loop Filter
125		PLLVD	PLL Supply Voltage
126	O	CLKOUT, XTALO	Crystal Oscillator Output
127	I	CLKIN, XTALI	External Clock Input/Crystal Oscillator Input
128		CLKSEL	DSP Clock Select
129	I/O	CS, GPIO9	Host Parallel Chip Select, General Purpose I/O
130	I/O	A0, GPIO13	Host Parallel Address Bit 0, General Purpose I/O
131	I	FSDATAN1	PCM Audio Data Input One
132		VDD4	2.5V Supply Voltage
133		VSS4	2.5V Ground
134	I	FSCLKN1, STCCLK2	PCM Audio Input Bit Clock
135		SCS	Host Serial SPI Chip Select
136	I	SCDIN	SPI Serial Control Data Input
137		VSS5	2.5V Ground
138		VDD5	2.5V Supply Voltage
139	I/O	A1, GPIO12	Host Address Bit 1, General Purpose I/O
140	I/O	SCDOUT, SCDIO	Serial Control Port Data Input and Output
141	I/O	HINBSY, GPIO8	Input Host Message Status, General Purpose I/O
142		SCCLK	Serial Control Port Clock
143	I/O	UHS2, CS_OUT, GPIO17	Mode Select Bit 2, External Serial Memory Chip Select, General Purpose I/O
144	I	RESET	Master Reset Input

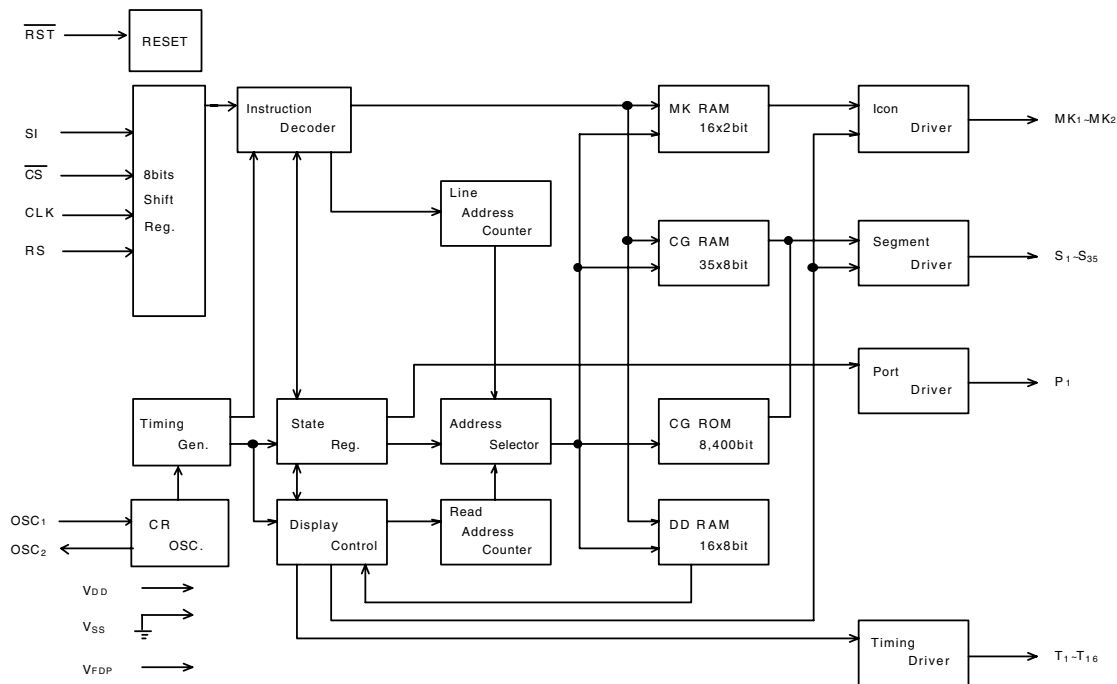
IC16 (DSP PCB) : CS5361-KSR



Pin Name	I/O	#	Pin Description
RST	I	1	Reset (Input) - The device enters a low power mode when low.
M/S	I	2	Master/Slave Mode (Input) -In Slave mode, LRCK and SCLK become input. <b>(FIXED LOW)</b>
LRCK	I	3	Left Right Clock (Input) - Determines which channel, Left or Right, is currently active on the serial audio data line. The frequency of the left/right clock must be at the audio sample rate, Fs.
SCLK	I	4	Serial Clock (Input) - Serial clock for the serial audio interface.
MCLK	I	5	Master Clock (Input) - Clock source for the delta-sigma modulator and digital filters. Table 1 illustrates several standard audio sample rates and the required master clock frequency.
VD	I	6	Digital Power (Input) - Positive power supply for the digital section. Refer to the Recommended Operating Conditions for appropriate voltages.
GND	I	7,18	Ground (Input) - Ground reference. Must be connected to analog ground.
VL	I	8	Logic Power (Input) - Determines the required signal level for the digital input/output. Refer to the Recommended Operating Conditions for appropriate voltages.
SDOUT	O	9	Serial Audio Data Output (Output) - Output for two's complement serial audio data.
DIV	I	10	MCLK Divider (Input) - <b>(FIXED LOW)</b>
HPF	I	11	High Pass Filter Enable (Input) - The device includes a high pass filter after the decimator to remove the indeterminate DC offsets introduced by the analog buffer stage and the analog modulator. The first-order high pass filter response characteristics are detailed in the Digital Filter specifications table. The filter response scales linearly with sample rate.
DIF	I	12	Digital Interface Format (Input) - The required relationship between the Left/Right clock, serial clock and serial data is defined by the Digital Interface Format selection. Refer to Figures 8 and 9.
M0	I	13	Mode Selection (Input) - <b>(FIXED LOW)</b>
M1	I	14	<b>(FIXED LOW)</b>
TST	I	15	Test Pin (Input) - This pin needs to be connected to GND.
AINL+	I	16,	Differential Left Channel Analog Input (Input) - Signals are presented differentially to the delta-sigma modulators via the AINL+/- pins. The full scale differential analog input level is specified in the Analog Characteristics Specification table.
AINL-	I	17	
VA	I	19	Analog Power (Input) - Positive power supply for the analog section. Refer to the Recommended Operating Conditions for appropriate voltages.
AINR+	I	20,	Differential Right Channel Analog Input (Input) -Signals are presented differentially to the delta-sigma modulators via the AINR+/- pins. The full scale differential analog input level is specified in the Analog Characteristics Specification table.
AINR-	I	21	
VCOM	O	22	Common Mode Voltage (Output) - Nominally 2.5 volts; can be used to bias the analog input circuitry to the common mode voltage of the CS5361. VCOM is not buffered and the maximum current is 10 uA.
REF_GND	I	23	Reference Ground (Input) - Ground reference for the internal sampling circuits and must be connected to analog ground.
FILT+	O	24	Positive Voltage Reference (Output) - Positive reference voltage for the internal sampling circuits. Requires the capacitive decoupling to GND as shown in the Typical Connection Diagram.



IC81 (FRONT PCB) : NJU3430FG1



No.	SYMBOL	I/O	F U N C T I O N
57	VDD	-	Power Source : VDD=+3.0 to 5.5V
49	VSS	-	GND : VSS=0V
48	VFDP	-	VFD Driving Power Source VDD-20V to VDD-45V
50	OSC1	I	CR Oscillation Terminal External R and C connect to these terminals. (Target fOSC=360kHz)
51	OSC2	O	
54	CLK	I	Serial Clock Input Terminal The serial data input synchronizing the rise edge of this terminal.
53	CS	I	Chip Select Terminal When the CS terminal is "H" the serial data input is not available.
55	SI	I	Serial Data Input Terminal The data input is MSB first.
56	RS	I	Register Selection Signal Input Terminal RS="0" : Instruction Register RS="1" : Data Register
52	RST	I	Reset Terminal RST="L" : Reset -Each Address : (00)H -Each RAM Data : Unfixed -Display Digits : 16-digit -Contrast Control : 8/16 Dury -All Display Off -All Outputs are "L"
61 to 64, 1 to 31	S1 to S35	O	Segment Output Terminals (Internal Pull-down Resistance)
32 to 47	T1 to T16	O	Timing Output Terminals (Internal Pull-down Resistance)
60 59	MK1 MK2	O	Icon Output Terminals (Internal Pull-down Resistance)
58	P1	O	Output Port Terminal This terminal is suitable for LED.

**IC36 (DSP PCB): H8S/2505(HD64F2505)**

Pin	Port mode = 7	I/O	Use	STBY	Name	Port Setting		Note
						Act.	init	
1	PE5	I/O	I	I	HINBSY	-	-	DSP Busy Signal
2	PE6	I/O	O	I	AFDATA	-	L	Analog Switch DATA
3	PE7	I/O	O	I	AFCLK	-	L	Analog Switch CLOCK
4	PD0	I/O	O	I	CE_TCA	H	L	Analog Switch TC9273
5	PD1	I/O	O	I	CE_TCB	H	L	Analog Switch TC9162/9163/9164
6	PD2	I/O	O	I	MULTIMUTE	H	H	MULTI ROOM MUTE
7	PD3	I/O	O	I	SWMUTE	H	H	SUB W MUTE
8	PD4	I/O	O	I	CNTMUTE	H	H	CENTER SP MUTE
9	PD5	I/O	O	I	SBMUTE	H	H	SRR B MUTE
10	PD6	I/O	O	I	SL/SRMUTE	H	H	SL SR MUTE
11	PD7	I/O	O	I	L/RMUTE	H	H	FRONT L R MUTE
12	Vss	I	-	I	VSS	-	-	GND
13	PC0	I/O	O	I	_RSTDAC	L	L	DAC
14	P1Vcc	I	YES	I	VCC	-	-	+5V'
15	PC1	I/O	O	I	DFS	H	L	DAC&ADC
16	PC2	I/O	O	I	_ATT	L	H	ADC
17	PC3	I/O	O	I	_RSTADC	L	H	ADC
18	PC4	I/O	O	I	D_A	-	L	DIR or _ADC sel
19	PC5	I/O	I	I	XSTATE	-	-	DIR
20	PC6	I/O	O	I	_CEDIR	L	L	DIR CHIP ENABLE
21	PC7	I/O	O	I	_XMODE	L	L	DIR RESET
22	PB0	I/O	O	O	IICCLK	-	L	I2C for E2PROM
23	PB1	I/O	I/O	I/O	IICDATA	-	L	I2C for E2PROM
24	PB2	I/O	I	I	_TU_SD	L		Tuned
25	PB3	I/O	I	I	TU_ST	H		Stereo Tune/_MONO
26	PB4	I/O	O	I	TU_MUTE	H	H	Tuner MUTE
27	PB5	I/O	O	I	_CE_TU	L	L	Tuner Pack
28	PB6	I/O	O	I	N.C	-	L	open
29	PB7	I/O	I	I	_P_AMP_FAIL	L	-	Power amp Dectect
30	PA0	I/O	O	I	TUDOUT	-	L	Tuner Pack
31	PA1	I/O	O	I	TUCLK	-	L	Tuner Pack
32	PA2	I/O	I	I	TUDIN	-		Tuner Pack
33	PA3	I/O	I	I	RDSDIN	-		Tuner Pack(RDS)
34	PA4	I/O	O	I	VOLDATA	-	L	Volume IC DATA
35	PA5	I/O	O	I	VOLCLK	-	L	Volume IC CLOCK
36	PA6	I/O	O	I	CE_VOLA	H	L	Volume IC Chip Sel A/B (TC9482)
37	PA7	I/O	O	I	SB_ON	H	L	SB Relay ControlSB ON:H SB OFF:L
38	PH7	I/O	O	I	FLRA_ON	H	L	SPK A SELECT
39	PH6	I/O	O	I	FLRB_ON	H	L	SPK B SELECT
40	PH5	I/O	O	I	SURR_ON	H	L	SURR/CNT SPK ON
41	PH4	I/O	O	I	HEAT	H	?L	Power Amp+-B_L_Sel
42	PH3	I/O	I	I	_HEAT_DET	H	-	Power Amp Heat sink TempDetect
43	PH2	I/O	O	I	_STANDBY	L	L	Standby Power
44	PH1	I/O	I	I	_HP_DET	L	-	HP Jack Detect
45	PH0	I/O	O	I	HP_ON	H	L	HEAD PHONE ON
46	PJ7	I/O	O	I	DVI_CONT2			DVI Input Control 2
47	PJ6	I/O	O	I	DVI_CONT1			DVI Input Control 1
48	PJ5	I/O	O	I	DVI_RX_PD2			DVI RX PowerDown Control 2
49	PJ4	I/O	O	I	DVI_RX_PD1			DVI RX PowerDown Control 1
50	PJ3	I/O	O	I	FPGA_RST	L	H	DVI (FPGA Reset) This is not used.
51	PJ2	I/O	O	I	DVI_TX_PD			DVI TX PowerDown Control
52	PJ1	I/O	O	O	_STBY LED	L	H	Standby LED On
53	PJ0	I/O	O	I	_RSFL	L	L	Front FL Driver
54	Vss	I	-	I	VSS	-	-	GND
55	P97/AN15/DA1	I,I,O	I	I		-	-	PULL DOWN
56	P96/AN14/DA0	I,I,O	I	I		-	-	PULL DOWN
57	P95/AN13	I,I	I	I	CONF_DONE	-	-	DVI (FPGA ROM Config)
58	P94/AN12	I,I	I	I	SEL-	-	-	Front Select Encoder
59	P93/AN11	I,I	I	I	SEL+	-	-	Front Select Encoder
60	P92/AN10	I,I	I	I	VOL-	-	-	Front Vol. Encoder
61	P91/AN9	I,I	I	I	VOL+	-	-	Front Vol. Encoder
62	P90/AN8	I,I	I	I	_OVFL	-	-	Peak Indicator
63	P47/AN7	I,I	AD	AD	TV_AUTO	-	-	TV Video Detect
64	P46/AN6	I,I	AD	AD	MODE2	-	-	CPU mode2

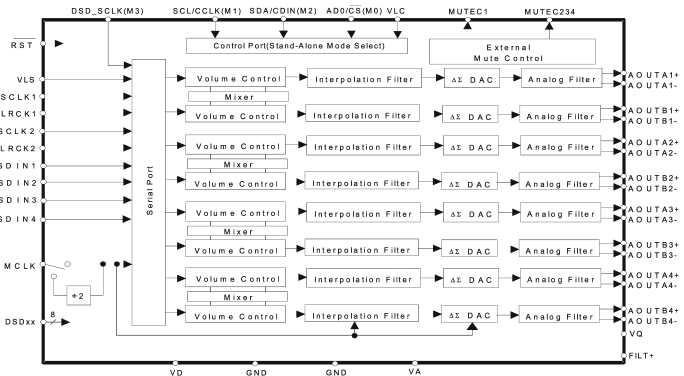
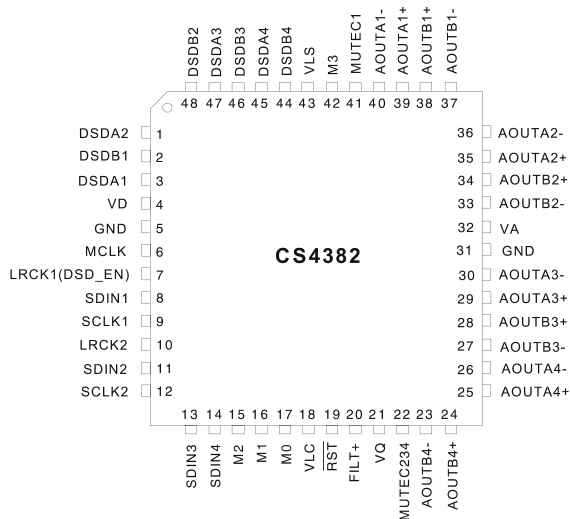
**IC36 (DSP PCB): H8S/2505(HD64F2505)**

Pin	Port mode = 7	I/O	Use	STBY	Name	Port Setting		Note
						Act.	init	
65	P45/AN5	I,I	AD	AD	MODE1	-	-	CPU mode1
66	P44/AN4	I,I	AD	AD	P_LINE_FAIL	-	-	Emergency Protection
67	AVss	I	-	I	AVSS	-	-	GND
68	P43/AN3	I,I	AD	AD	_5V_DOWN	-	-	Detect 5V
69	P42/AN2	I,I	AD	AD	KEY2	-	-	Front Key
70	P41/AN1	I,I	AD	AD	KEY1	-	-	Front Key
71	P40/AN0	I,I	AD	AD	KEY0	-	-	Front Key
72	Vref	I	YES	I	VCC	-	-	+5V'
73	AVcc	I	YES	I	AVCC	-	-	+5V'
74	P50/TxD2	I/O,O	SO	SO	DSPOUT			DSP, DIR Control Data OUT
75	P51/RxD2	I/O,I	SI	SI	DSPIN			DSP, DIR Control Data IN
76	P52/SCK2	I/O,O	SC	SC	DSPCLK			DSP, DIR Control CLOCK
77	PF0/~IRQ2	I/O,I	INT	I	RERR	H	-	DIR ERROR
78	PF1/BUZZ	I/O,O	O	I	CP_SEL1			NJM2584 1/3
79	PF2	I/O	O	I	CP_SEL2			NJM2584 2/3
80	PF3/~ADTRG/ ~IRQ3	I/O,I,I	INT	I	REQ1	L	-	DSP INTER Q
81	PF4	I/O	O	I	CP_SEL3			NJM2584 3/3
82	PF5	I/O	O	I	V_CONV_SEL			NJM2586
83	PF6	I/O	O	I	COMP_MUTE			NJM2586
84	P1Vcc	I	YES	I	VCC	-	-	+5V'
85	PF7/	I/O,O	NO	I	NC	-	-	open
86	Vss	I	-	I	VSS	-	-	GND
87	TEST	I	NO	I	TEST	-	-	GND
88	VCL	I	-	I	VCL	-	-	GND (0.47uF)
89	OSC2	I	NO	I	NC	-	-	open
90	OSC1	I	NO	I	VSS	-	-	GND
91	NMI	I	NO	I	NMI	-	-	Fix H
92	MD2	I	YES	I	MD2	-	-	Nomal:H, Bool:L
93	XTAL	I	YES	I	XTAL	-	-	Xtal(20MHz)
94	Vss	I	NO	I	VSS	-	-	GND
95	EXTAL	I	YES	I	EXTAL	-	-	Xtal(20MHz)
96	Vcc	I	YES	I	VCC	-	-	+5V'
97	MD0	I	YES	I	MD0	-	-	Fix H
98	MD1	I	YES	I	MD1	-	-	Fix H
99	~STBY	I	NO	I	_STBY	L	H	Fix H
100	~RES	I	YES	I	_RES	L	-	RESET
101	P20/TIOCA3	I/O,O	O	I	PUREDIRECT_ LED	L	H	PURE DIRECT LED On
102	P21/TIOCB3	I/O,I/O	O	I	MIC_ENABLE			MIC Enable
103	P22/TIOCC3	I/O,I/O	I	I	MIC_DETECT	-	-	MIC Input Detection
104	P23/TIOCD3	I/O,I/O	I	I	SPKC_SW	-	-	Speaker C Switch
105	P24/TIOCA4	I/O,I/O	O	I	SPKC_CONT			C-Relay Control
106	P25/TIOCB4	I/O,I/O	O	I	KILLFLASH			Kill Flasher OUT
107	P26/TIOCA5	I/O,I/O	T_OUT	O	RC_OUT		L	RC BUS OUT
108	P27/TIOCB5	I/O,I/O	T_OUT	O	M_RC_OUT		L	RC BUS MULT OUT
109	P17/TIOCB2/ TCLKD	I/O,I/ O,I/O	I	I	M_RC_IN	L	H	Multi RC5 IN Detect Signal
110	P16/TIOCA2/ ~IRQ1	I/O,I/O,I	INT	INT	WAKEUP		-	Standby Mode Release
111	P15/TIOCB1/ TCLKC	I/O,I/ O,I/O	T_IN	I	VSYNC		-	V-sync Det. & Change OSD
112	P14/TIOCA1/ ~IRQ0	I/O,I/O,I	INT	I	_P_DPWN	L	-	Power Down Detect
113	P13/TIOCD0/ TCLKB	I/O,I/ O,I/O	O	O	KILLIR	H	L	Kill to IR Input Signal
114	P12/TIOCC0/ TCLKA	I/O,I/ O,I/O	O	I	DC_OUT1	L	H	DC Triger1
115	P11/TIOCB0	I/O,I/O	O	I	DC_OUT2	L	H	DC Triger2
116	P10/TIOCA0	I/O,I/O	T_IN	I	RC_IN		-	IR In for RC-5
117	Vss	I	YES	I	VSS	-	-	GND
118	P2Vcc	I	YES	I	VCC	-	-	+5V'
119	P37/TxD4	I/O,O	SO	O	USB_CSDAO	-	-	Serial Data IN from USB Module (USB_CSDAI) This is not used.

**IC36 (DSP PCB): H8S/2505(HD64F2505)**

Pin	Port mode = 7	I/O	Use	STBY	Name	Port Setting		Note
						Act.	init	
120	P36/RxD4	I/O,I	SI	I	USB_CSDAI			Serial Data OUT from USB Module (USB CSDAO) This is not used.
121	P35/SCK1/ SCK4/SCL0/ ~IRQ5	I/O,I/O,I/ O,I/O,I	SC	I	USB_CSCL			Serial Clock from USB Module. This is not used.
122	P34/RxD1/SDA0	I/O,I,I/O	O	I	NC			open
123	P33/TxD1/SCL1	I/O,O,I/O	O	I	NC			open
124	P32/SCK0/SDA1/ ~IRQ4	I/O,I/O,I/ O,I	INT	I	REQ2	L	-	DSP FINTR EQ
125	P31/RxD0	I/O,I	SI	I	RXD			UART for RS232C, Flash WRNeed Pull UPRESET=H
126	P30/TxD0	I/O,O	SC	I	TXD			UART for RS232C, Flash WRNeed Pull UP
127	P77/TxD3	I/O,O	SO	O	OSDDATA	-	-	FrontFL,Video(OSD),Y/C&Sepa,4094,SAA,AK
128	P76/RxD3	I/O,I	I	I		-	-	PULL DOWN
129	P75/TMO3/SCK3	I/O,I/ O,I/O	SC	I	OSDCLK	-	-	FrontFL,Video(OSD),Y/C&Sepa,4094,SAA,AK
130	P74/TMO2/ ~MRES	I/O,O	O	I	_RSTFL	L	L	Reset FL Driver
131	P73/TMO1	I/O,O	O	I	_CEFL	L	L	FL Driver Chip Select
132	P72/TMO0	I/O,O	I	I	USB_MUTE			for Audio Mute Control. This is not used.
133	P71/TMRI23/ TMC123	I/O,O,O	I	I	USB_PLL_ UNLOCK			for Clock Control. This is not used.
134	P70/TMRI01/ TMC101	I/O,O,O	O	I	CLK_SW			TC74VHC157 SEL
135	PG4	I/O	O	I	_SCS	L	H	DSP CHIP ENABLE
136	PG3	I/O	O	I	_RSTDSP	L	L	DSP
137	PG2	I/O	O	I	_FCS	L	H	DSP CHIP ENABLE
138	PG1/~IRQ7	I/O,I	INT	I	IRQ7	-	-	RDS Clock
139	PG0/~IRQ6	I/O,I	INT	I	USB_CCE	L	-	Chip Enable for SPI. This is not used.
140	PE0	I/O	O	I	NC	-	-	open
141	PE1	I/O	O	I	_CEEX	L	H	P-Exp(Video)Sel A
142	PE2	I/O	O	I	Y_OSD	H	L	Y/C_OSD_IC_BYPASS
143	PE3	I/O	O	I	CVBS_OSD	H	L	CVBS_OSD_IC_BYPASS
144	PE4	I/O	O	I	_CEOSD	L	H	Video Circuit

IC23 (DSP PCB) : CS4382



Pin Name	I/O #	Description
<b>VD</b>	4	<b>Digital Power (Input)</b> - Positive power supply for the digital section. Refer to the Recommended Operating Conditions for appropriate voltages.
<b>GND</b>	5   31	<b>Ground (Input)</b> - Ground reference. Should be connected to analog ground.
<b>MCLK</b>	6	<b>Master Clock (Input)</b> - Clock source for the delta-sigma modulator and digital filters. Table 5 illustrates several standard audio sample rates and the required master clock frequency.
<b>LRCK1</b>	7	<b>Left Right Clock (Input)</b> - Determines which channel, Left or Right, is currently active on the serial audio data line. The frequency of the left/right clock must be at the audio sample rate, Fs.
<b>LRCK2</b>	10	
<b>SDIN1</b>	8	<b>Serial Audio Data Input (Input)</b> - Input for two's complement serial audio data.
<b>SDIN2</b>	11	
<b>SDIN3</b>	13	
<b>SDIN4</b>	14	
<b>SCLK1</b>	9	<b>Serial Clock (Input)</b> - Serial clock for the serial audio interface.
<b>SCLK2</b>	12	
<b>VLC</b>	18	<b>Control Port Power (Input)</b> - Determines the required signal level for the control port. Refer to the Recommended Operating Conditions for appropriate voltages.
<b>RST</b>	19	<b>Reset (Input)</b> - The device enters a low power mode and all internal registers are reset to their default settings when low.
<b>FILT+</b>	20	<b>Positive Voltage Reference (Output)</b> - Positive reference voltage for the internal sampling circuits. Requires the capacitive decoupling to analog ground, as shown in the Typical Connection Diagram.
<b>VQ</b>	21	<b>Quiescent Voltage (Output)</b> - Filter connection for internal quiescent voltage. VQ must be capacitively coupled to analog ground, as shown in the Typical Connection Diagram. The nominal voltage level is specified in the Analog Characteristics and Specifications section. VQ presents an appreciable source impedance and any current drawn from this pin will alter device performance. However, VQ can be used to bias the analog circuitry assuming there is no AC signal component and the DC current is less than the maximum specified in the Analog Characteristics and Specifications section.

## IC23 (DSP PCB) : CS4382

Pin Name	I/O	#	
MUTEC1	O	41	<b>Mute Control (Output)</b> - The Mute Control pins go high during power-up initialization, reset, muting, power-down or if the master clock to left/right clock frequency ratio is incorrect. These pins are intended to be used as a control for external mute circuits to prevent the clicks and pops that can occur in any single supply system. The use of external mute circuits are not mandatory but may be desired for designs requiring the absolute minimum in extraneous clicks and pops.
MUTEC234	O	22	
AOUTA1 +,-	O	39, 40	<b>Differential Analog Output (Output)</b> - The full scale differential analog output level is specified in the Analog Characteristics specification table.
AOUTB1 +,-	O	38, 37	
AOUTA2 +,-	O	35, 36	
AOUTB2 +,-	O	34, 33	
AOUTA3 +,-	O	29, 30	
AOUTB3 +,-	O	28, 27	
AOUTA4 +,-	O	25, 26	
AOUTB4 +,-	O	24, 23	
VA	I	32	<b>Analog Power (Input)</b> - Positive power supply for the analog section. Refer to the Recommended Operating Conditions for appropriate voltages.
VLS	I	43	<b>Serial Audio Interface Power (Input)</b> - Determines the required signal level for the serial audio interface. Refer to the Recommended Operating Conditions for appropriate voltages.

### Stand-Alone Definitions

M0	17	<b>Mode Selection (Input)</b> - Determines the operational mode of the device as detailed in Tables 6 and 7.
M1	16	<b>FIXED GND</b>
M2	15	<b>FIXED GND</b>
M3	42	

### DSD Definitions

DSDA1	3	<b>FIXED GND</b>
DSDB1	2	<b>FIXED GND</b>
DSDA2	1	<b>FIXED GND</b>
DSDB2	48	<b>FIXED GND</b>
DSDA3	47	<b>FIXED GND</b>
DSDB3	46	<b>FIXED GND</b>
DSDA4	45	<b>FIXED GND</b>
DSDB4	44	<b>FIXED GND</b>

## IC23 (DSP PCB) : CS4382

CMOS level output that outputs a biphasic-mark encoded (S/PDIF) IEC60958 signal or digital audio data which is capable of carrying two channels of PCM digital audio. *OUTPUT*

### AUDATA4, GPIO28 — Digital Audio Output 4, General Purpose I/O

PCM digital-audio data output. This pin can act as a general-purpose input or output that can be individually configured and controlled by DSPC. *BIDIRECTIONAL - Default: OUTPUT*

### AUDATA5, GPIO29 — Digital Audio Output 5, General Purpose I/O

PCM digital-audio data output. This pin can act as a general-purpose input or output that can be individually configured and controlled by DSPC. *BIDIRECTIONAL - Default: OUTPUT*

### AUDATA6, GPIO30 — Digital Audio Output 6, General Purpose I/O

PCM digital-audio data output. This pin can act as a general-purpose input or output that can be individually configured and controlled by DSPC. *BIDIRECTIONAL - Default: OUTPUT*

### AUDATA7, XMT958B, GPIO31 — Digital Audio Output 7, S/PDIF Transmitter, General Purpose I/O

CMOS level output that contains a biphasic-mark encoded (S/PDIF) IEC60958 signal or digital audio data which is capable of carrying two channels of PCM digital audio. This pin can also act as a general-purpose input or output that can be individually configured and controlled by DSPC. *BIDIRECTIONAL - Default: OUTPUT*

### DBCK — Debug Clock

Must be tied high to 3.3k ohm resistor. *INPUT*

### DBDA — Debug Data

Must be tied high to 3.3k ohm resistor. *BIDIRECTIONAL - Default: INPUT*

### SLCKN, GPIO22 — PCM Audio Input Bit Clock, General Purpose I/O

Digital-audio bit clock that is an input. SCLKN operates asynchronously from all other DSPAB clocks. The active edge of SCLKN can be programmed by the DSP. This pin can act as a general-purpose input or output that can be individually configured and controlled by DSPC. *BIDIRECTIONAL - Default: INPUT*

### LRCLKN, GPIO23 — PCM Audio Input Sample Rate Clock, General Purpose I/O

Digital-audio frame clock input. LRCLKN operates asynchronously from all other DSPAB clocks. The polarity of LRCLKN for a particular subframe can be programmed by the DSP. This pin can act as a general-purpose input or output that can be individually configured and controlled by DSPC. *BIDIRECTIONAL - Default: INPUT*

### SDATAN0, GPIO24 — PCM Audio Input Data, General Purpose I/O

Digital-audio PCM data input. This pin can act as a general-purpose input or output that can be individually configured and controlled by DSPC. *BIDIRECTIONAL - Default: INPUT*

### SDATAN1, GPIO25 — PCM Audio Input Data, General Purpose I/O

Digital-audio PCM data input. This pin can act as a general-purpose input or output that can be individually configured and controlled by DSPC. *BIDIRECTIONAL - Default: INPUT*

### SDATAN2, GPIO26 — PCM Audio Input Data, General Purpose I/O

Digital-audio PCM data input. This pin can act as a general-purpose input or output that can be individually configured and controlled by DSPC. *BIDIRECTIONAL - Default: INPUT*

### SDATAN3, GPIO27 — PCM Audio Input Data, General Purpose I/O

Digital-audio PCM data input. This pin can act as a general-purpose input or output that can be individually configured and controlled by DSPC. *BIDIRECTIONAL - Default: INPUT*

### SCS — Host Serial SPI Chip Select

SPI mode active-low chip-select input signal. *INPUT*

### SCCLK — Serial Control Port Clock

This pin serves as the serial SPI clock input. *INPUT*

### SCDIN — SPI Serial Control Data Input

In SPI mode this pin serves as the data input pin. *INPUT*

### SCDOUT, SCDIO — Serial Control Port Data Input and Output

In SPI mode this pin serves as the data output pin. *BIDIRECTIONAL - Default: OUTPUT in SPI mode*

### INTREQ — Control Port Interrupt Request

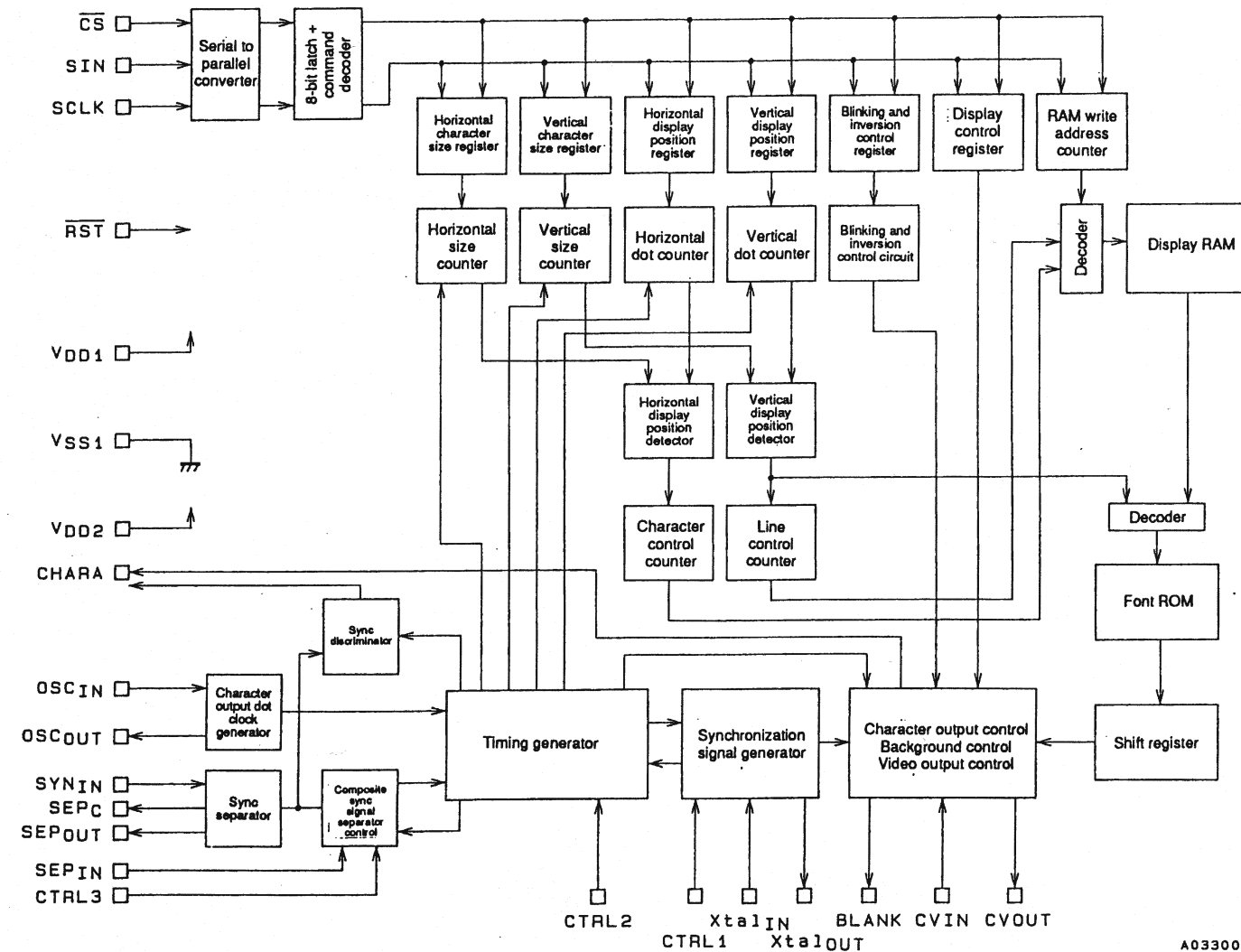
Open-drain interrupt-request output. This pin is driven low to indicate that DSPC has outgoing control data and should be serviced by the host. *OPEN DRAIN I/O - Requires 3.3K Ohm Pull-Up*

## IC78 (VIDEO PCB) : LC74781

### Pin Functions

Pin No.	Symbol	Function	Description
1	V <sub>SS1</sub>	Ground	Ground connection (digital system ground)
2	Xtal <sub>IN</sub>	Crystal oscillator connection	Used to connect the crystal oscillator and capacitor used to generate the internal synchronization signal, or to input an external clock (2fsc or 4fsc).
3	Xtal <sub>OUT</sub>		
4	CTRL1	Crystal oscillator input switching	Switches between external clock input mode and crystal oscillator mode. Low = crystal oscillator mode, high = external clock mode
5	BLANK	Blanking output	Outputs the blank signal (the OR of the character and border signals). (Outputs a composite sync signal when MOD0 is high.) Outputs the crystal oscillator clock during reset (when the RST pin is low), but can be set up to not output this signal by microprocessor command.
6	OSC <sub>IN</sub>	LC oscillator connection	Connections for the coil and capacitor that form the oscillator that generates the character output dot clock.
7	OSC <sub>OUT</sub>		
8	CHARA	Character output	Outputs the character signal. (Functions as the external synchronization signal discrimination signal output pin when MOD0 is high, and outputs the state of the judgment as to whether the external synchronization signal is present or not. Outputs a high level when the synchronization signal is present.) Outputs the dot clock (LC oscillator) during reset, but can be set up to not output this signal by microprocessor command.
9	$\overline{\text{CS}}$	Enable input	Serial data input enable input. Serial data input is enabled when low. A pull-up resistor is built in (hysteresis input).
10	SCLK	Clock input	Serial data input clock input. A pull-up resistor is built in (hysteresis input).
11	SIN	Data input	Serial data input. A pull-up resistor is built in (hysteresis input).
12	V <sub>DD2</sub>	Power supply	Composite video signal level adjustment power supply pin (analog system power supply).
13	CV <sub>OUT</sub>	Video signal output	Composite video signal output
14	NC		Must be either connected to ground or left open.
15	CV <sub>IN</sub>	Video signal input	Composite video signal input
16	V <sub>DD1</sub>	Power supply	Power supply (+5 V: digital system power supply)
17	SYN <sub>IN</sub>	Sync separator circuit input	Video signal input for the built-in sync separator circuit (Used for either horizontal synchronization signal or composite sync signal input when the built-in sync separator circuit is not used.)
18	SEP <sub>C</sub>	Sync separator circuit bias voltage	Built-in sync separator circuit bias voltage monitor pin
19	SEP <sub>OUT</sub>	Composite sync signal output	Built-in sync separator circuit composite sync signal output. (When MOD1 is high, outputs a high level during internal synchronization and a low level during external synchronization.) (Outputs the SYN <sub>IN</sub> input signal when the internal sync separator circuit is not used.)
20	SEP <sub>IN</sub>	Vertical synchronization signal input	Inputs a vertical synchronization signal created by integrating the SEP <sub>OUT</sub> pin output signal. An integrator must be attached at the SEP <sub>OUT</sub> pin. This pin must be tied to V <sub>DD1</sub> if unused.
21	CTRL2	NTSC/PAL-M switching input	The setting indicated by this pin takes priority in switching between the NTSC, PAL, PAL-M and PAL-N formats. A low level selects NTSC after a reset. The microprocessor command NTSC, PAL, PAL-M, or PAL-N setting is valid. High = PAL-M format.
22	CTRL3	SEP <sub>IN</sub> input control	Controls whether or not the VSYNC signal is input to the SEP <sub>IN</sub> input. Low = VSYNC input, high = VSYNC not input.
23	RST	Reset input	System reset input. A pull-up resistor is built in (hysteresis input).
24	V <sub>DD1</sub>	Power supply (+5 V)	Power supply (+5 V: digital system power supply)

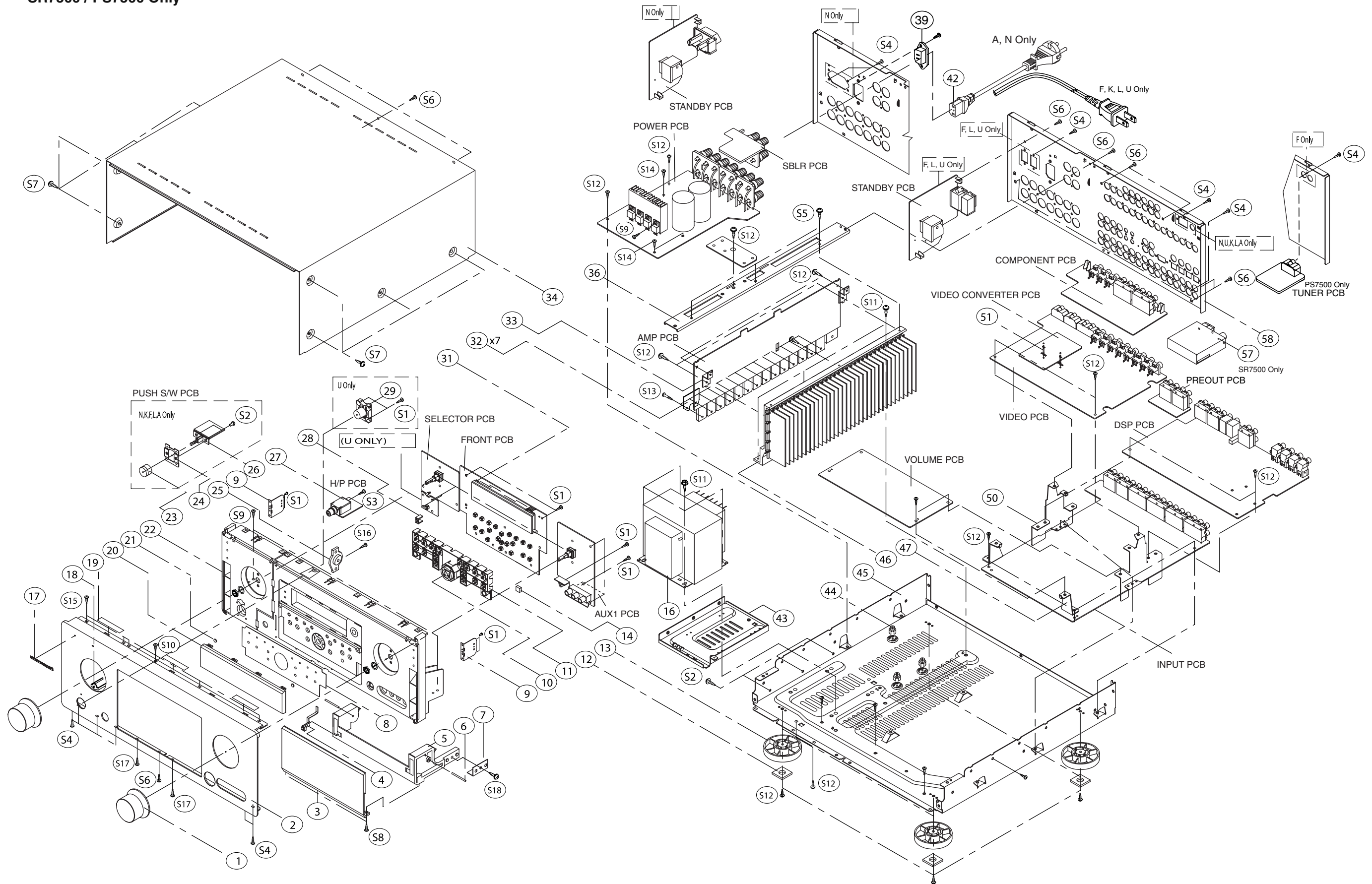
## IC78 (VIDEO PCB) : LC74781



A03300

## 12. EXPLODED VIEW AND PARTS LIST

SR7500 / PS7500 Only





P.C.B. NAME	POS. NO.	VERS. COLOR	PART NO. (FOR EUR)	PART NO. (MJJ)	PART NAME	DESCRIPTION
	1	/A1B	nsp	00M28AW154010	KNOB	MASTER (BLACK) HGK1A090YA
	1	/A1S	nsp	00M28AW154030	KNOB	MASTER (SILVER) HGK1A090XA
	1	/F1N	nsp	00M28AW154020	KNOB	MASTER (GOLD) HGK1A090ZA
	1	/K1G	nsp	00M28AW154020	KNOB	MASTER (GOLD) HGK1A090ZA
	1	/L1G	nsp	00M28AW154020	KNOB	MASTER (GOLD) HGK1A090ZA
	1	/N1B	00M28AW154010	00M28AW154010	KNOB	MASTER (BLACK) HGK1A090YA
	1	/N1G	00M28AW154020	00M28AW154020	KNOB	MASTER (GOLD) HGK1A090ZA
	1	/N1S	00M28AW154030	00M28AW154030	KNOB	MASTER (SILVER) HGK1A090XA
	1	/U1B	nsp	00M28AW154010	KNOB	MASTER (BLACK) HGK1A090YA
	2	/A1B	nsp	00M10BW248010	PANEL	FRONT AL (BLACK) CKM1A159ZC23
	2	/A1S	nsp	00M10BW248210	PANEL	FRONT AL (SILVER) CKM1A159ZC40
	2	/F1N	nsp	00M10BW248130	PANEL	FRONT AL (GOLD) CKM1A159XC24
	2	/K1G	nsp	00M10BW248110	PANEL	FRONT AL (GOLD) CKM1A159ZC24
	2	/L1G	nsp	00M10BW248110	PANEL	FRONT AL (GOLD) CKM1A159ZC24
	2	/N1B	00M10BW248010	00M10BW248010	PANEL	FRONT AL (BLACK) CKM1A159ZC23
	2	/N1G	00M10BW248110	00M10BW248110	PANEL	FRONT AL (GOLD) CKM1A159ZC24
	2	/N1S	00M10BW248210	00M10BW248210	PANEL	FRONT AL (SILVER) CKM1A159ZC40
	2	/U1B	nsp	00M10BW248020	PANEL	FRONT AL (U BLACK) CKM1A159YC23
	3	/A1B	nsp	00M10BW162010	DOOR	DOOR PANEL BLACK CKM1A160C23
	3	/A1S	nsp	00M10BW162210	DOOR	DOOR PANEL SILVER CKM1A160C40
	3	/F1N	nsp	00M10BW162110	DOOR	DOOR PANEL GOLD CKM1A160C24
	3	/K1G	nsp	00M10BW162110	DOOR	DOOR PANEL GOLD CKM1A160C24
	3	/L1G	nsp	00M10BW162110	DOOR	DOOR PANEL GOLD CKM1A160C24
	3	/N1B	00M10BW162010	00M10BW162010	DOOR	DOOR PANEL BLACK CKM1A160C23
	3	/N1G	00M10BW162110	00M10BW162110	DOOR	DOOR PANEL GOLD CKM1A160C24
	3	/N1S	00M10BW162210	00M10BW162210	DOOR	DOOR PANEL SILVER CKM1A160C40
	3	/U1B	nsp	00M10BW162010	DOOR	DOOR PANEL BLACK CKM1A160C23
	4		nsp	nsp	CONTACTOR	ESDCONTACTOR CMC1A251
	5	/A1B	nsp	00M10BW002010	ARM	DOOR ARM BLACK CKG1A046R4K92
	5	/A1S	nsp	00M10BW002210	ARM	DOOR ARM SILVER CKG1A046R6G13
	5	/F1N	nsp	00M10BW002110	ARM	DOOR ARM GOLD CKG1A046RFD4
	5	/K1G	nsp	00M10BW002110	ARM	DOOR ARM GOLD CKG1A046RFD4
	5	/L1G	nsp	00M10BW002110	ARM	DOOR ARM GOLD CKG1A046RFD4
	5	/N1B	00M10BW002010	00M10BW002010	ARM	DOOR ARM BLACK CKG1A046R4K92
	5	/N1G	00M10BW002110	00M10BW002110	ARM	DOOR ARM GOLD CKG1A046RFD4
	5	/N1S	00M10BW002210	00M10BW002210	ARM	DOOR ARM SILVER CKG1A046R6G13
	5	/U1B	nsp	00M10BW002010	ARM	DOOR ARM BLACK CKG1A046R4K92
	6		00M10BW112010	00M10BW112010	SHAFT	SHAFT FOR DOOR CDF1A018
	7		nsp	nsp	RETAINER	FOR MAGNET CMD1A542
	8	/A1B	nsp	00M10BW063010	ESCUTCHEON	PLATE BLACK CGX1A358Z
	8	/A1S	nsp	00M10BW063210	ESCUTCHEON	PLATE SILVER CGX1A358Y
	8	/F1N	nsp	00M10BW063110	ESCUTCHEON	PLATE GOLD CGX1A358W
	8	/K1G	nsp	00M10BW063110	ESCUTCHEON	PLATE GOLD CGX1A358X
	8	/L1G	nsp	00M10BW063110	ESCUTCHEON	PLATE GOLD CGX1A358X
	8	/N1B	00M10BW063010	00M10BW063010	ESCUTCHEON	PLATE BLACK CGX1A358Z
	8	/N1G	00M10BW063110	00M10BW063110	ESCUTCHEON	PLATE GOLD CGX1A358X
	8	/N1S	00M10BW063210	00M10BW063210	ESCUTCHEON	PLATE SILVER CGX1A358Y
	8	/U1B	nsp	00M10BW063010	ESCUTCHEON	PLATE BLACK CGX1A358Z
	9		nsp	nsp	BRACKET	CMD2A443
	10	/A1B	nsp	00M10BW270010	BUTTON	CURSOR (BLACK) CBT1A957ZK92
	10	/A1S	nsp	00M10BW270210	BUTTON	CURSOR (SILVER) CBT1A957R6ZG13
	10	/F1N	nsp	00M10BW270110	BUTTON	CURSOR (GOLD) CBT1A957RFZD4
	10	/K1G	nsp	00M10BW270110	BUTTON	CURSOR (GOLD) CBT1A957RFZD4
	10	/L1G	nsp	00M10BW270110	BUTTON	CURSOR (GOLD) CBT1A957RFZD4
	10	/N1B	00M10BW270010	00M10BW270010	BUTTON	CURSOR (BLACK) CBT1A957ZK92
	10	/N1G	00M10BW270110	00M10BW270110	BUTTON	CURSOR (GOLD) CBT1A957RFZD4
	10	/N1S	00M10BW270210	00M10BW270210	BUTTON	CURSOR (SILVER) CBT1A957R6ZG13
	10	/U1B	nsp	00M10BW270010	BUTTON	CURSOR (BLACK) CBT1A957ZK92
	11	/A1B	nsp	00M10BW270020	BUTTON	BUTTON (BLACK) CBT1A958K92
	11	/A1S	nsp	00M10BW270220	BUTTON	BUTTON (SILVER) CBT1A958R6G13
	11	/F1N	nsp	00M10BW270120	BUTTON	BUTTON (GOLD) CBT1A958RFD4
	11	/K1G	nsp	00M10BW270120	BUTTON	BUTTON (GOLD) CBT1A958RFD4
	11	/L1G	nsp	00M10BW270120	BUTTON	BUTTON (GOLD) CBT1A958RFD4
	11	/N1B	00M10BW270020	00M10BW270020	BUTTON	BUTTON (BLACK) CBT1A958K92
	11	/N1G	00M10BW270120	00M10BW270120	BUTTON	BUTTON (GOLD) CBT1A958RFD4
	11	/N1S	00M10BW270220	00M10BW270220	BUTTON	BUTTON (SILVER) CBT1A958R6G13

NOTE : "nsp" PART IS LISTED FOR REFERENCE ONLY, MARANTZ WILL NOT SUPPLY THESE PARTS.

P.C.B. NAME	POS. NO.	VERS. COLOR	PART NO. (FOR EUR)	PART NO. (MJI)	PART NAME	DESCRIPTION
	11	/U1B	nsp	00M10BW270020	BUTTON	BUTTON (BLACK) CBT1A958K92
	12		nsp	nsp	BUFFER	RUBBER, CUSHION KHG1A050
	13	/A1B	nsp	00M243W057010	LEG	FOOT , FRONT CKL2A042H11
	13	/A1S	nsp	00M243W057210	LEG	FOOT , FRONT CKL2A042H46
	13	/F1N	nsp	00M243W057010	LEG	FOOT , FRONT CKL2A042H11
	13	/K1G	nsp	00M243W057010	LEG	FOOT , FRONT CKL2A042H11
	13	/L1G	nsp	00M243W057010	LEG	FOOT , FRONT CKL2A042H11
	13	/N1B	00M243W057010	00M243W057010	LEG	FOOT , FRONT CKL2A042H11
	13	/N1G	00M243W057010	00M243W057010	LEG	FOOT , FRONT CKL2A042H11
	13	/N1S	00M243W057210	00M243W057210	LEG	FOOT , FRONT CKL2A042H46
	13	/U1B	nsp	00M243W057010	LEG	FOOT , FRONT CKL2A042H11
	14		00M10BW305010	00M10BW305010	MAGNET	MAGNET FOR DOOR CJC1A008
	▲ 16	/A1B	nsp	90M-TS002350R	TRANSF.	SR7500/A1 CLT5W016ZW
	▲ 16	/A1S	nsp	90M-TS002350R	TRANSF.	SR7500/A1 CLT5W016ZW
	▲ 16	/F1N	nsp	90M-TS002410R	TRANSF.	SR7500/F1 CLT5W016ZJ
	▲ 16	/K1G	nsp	90M-TS002360R	TRANSF.	SR7500/K1 CLT5W016ZH
	▲ 16	/L1G	nsp	90M-TS002370R	TRANSF.	SR7500/L1 CLT5W016ZS
	▲ 16	/N1B	90M-TS002380R	90M-TS002380R	TRANSF.	SR7500/N1 CLT5W016ZE
	▲ 16	/N1G	90M-TS002380R	90M-TS002380R	TRANSF.	SR7500/N1 CLT5W016ZE
	▲ 16	/N1S	90M-TS002380R	90M-TS002380R	TRANSF.	SR7500/N1 CLT5W016ZE
	▲ 16	/U1B	nsp	90M-TS002390R	TRANSF.	SR7500/U1 CLT5W016ZU
	17	/A1B	nsp	00M24AW251010	BADGE	NEW MZ BADGE CGB1A117
	17	/A1S	nsp	00M24AW251020	BADGE	NEW MZ BADGE SIL. CGB1A117G
	17	/F1N	nsp	00M24AW251010	BADGE	NEW MZ BADGE CGB1A117
	17	/K1G	nsp	00M24AW251010	BADGE	NEW MZ BADGE CGB1A117
	17	/L1G	nsp	00M24AW251010	BADGE	NEW MZ BADGE CGB1A117
	17	/N1B	00M24AW251010	00M24AW251010	BADGE	NEW MZ BADGE CGB1A117
	17	/N1G	00M24AW251010	00M24AW251010	BADGE	NEW MZ BADGE CGB1A117
	17	/N1S	00M24AW251020	00M24AW251020	BADGE	NEW MZ BADGE SIL. CGB1A117G
	17	/U1B	nsp	00M24AW251010	BADGE	NEW MZ BADGE CGB1A117
	18		00M10BW355010	00M10BW355010	LENS	STANDBY LENS CGL1A231
	19		nsp	nsp	TAPE	TAPE, HEMELON KHS1A032
	20		00M10BW158010	00M10BW158010	WINDOW	WINDOW , FIP CGU1A359Z
	21		00M446T056010	00M446T056010	BUFFER	CUSHION , DOOR CHG1A296Y
	22	/A1B	nsp	00M10BW105020	CHASSIS	FRONT MOLD BLACK CGW1A390R4K92
	22	/A1S	nsp	00M10BW105220	CHASSIS	FRONT MOLD SILVER CGW1A390R6G13
	22	/F1N	nsp	00M10BW105120	CHASSIS	FRONT MOLD GOLD CGW1A390RFD4
	22	/K1G	nsp	00M10BW105120	CHASSIS	FRONT MOLD GOLD CGW1A390RFD4
	22	/L1G	nsp	00M10BW105120	CHASSIS	FRONT MOLD GOLD CGW1A390RFD4
	22	/N1B	00M10BW105020	00M10BW105020	CHASSIS	FRONT MOLD BLACK CGW1A390R4K92
	22	/N1G	00M10BW105120	00M10BW105120	CHASSIS	FRONT MOLD GOLD CGW1A390RFD4
	22	/N1S	00M10BW105220	00M10BW105220	CHASSIS	FRONT MOLD SILVER CGW1A390R6G13
	22	/U1B	nsp	00M10BW105020	CHASSIS	FRONT MOLD BLACK CGW1A390R4K92
	23	/A1B	nsp	00M27AW270040	BUTTON	POWER SW BLACK CBC1A146K92
	23	/A1S	nsp	00M27AW270240	BUTTON	POWER SW SILVER CBC1A146R6G13
	23	/F1N	nsp	00M27AW270140	BUTTON	POWER SW GOLD CBC1A146RFD4
	23	/K1G	nsp	00M27AW270140	BUTTON	POWER SW GOLD CBC1A146RFD4
	23	/L1G	nsp	00M27AW270140	BUTTON	POWER SW GOLD CBC1A146RFD4
	23	/N1B	00M27AW270040	00M27AW270040	BUTTON	POWER SW BLACK CBC1A146K92
	23	/N1G	00M27AW270140	00M27AW270140	BUTTON	POWER SW GOLD CBC1A146RFD4
	23	/N1S	00M27AW270240	00M27AW270240	BUTTON	POWER SW SILVER CBC1A146R6G13
	24	/A1B	nsp	nsp	BRACKET	POWER SW CMD1A493
	24	/A1S	nsp	nsp	BRACKET	POWER SW CMD1A493
	24	/F1N	nsp	nsp	BRACKET	POWER SW CMD1A493
	24	/K1G	nsp	nsp	BRACKET	POWER SW CMD1A493
	24	/L1G	nsp	nsp	BRACKET	POWER SW CMD1A493
	24	/N1B	nsp	nsp	BRACKET	POWER SW CMD1A493
	24	/N1G	nsp	nsp	BRACKET	POWER SW CMD1A493
	24	/N1S	nsp	nsp	BRACKET	POWER SW CMD1A493
	25		00M391H130030	00M391H130030	DAMPER	KDG1A006Z
	28		00M10BW355020	00M10BW355020	LENS	FOR THX / DIRECT CGL1A232
	29	/U1B	nsp	00M27AW270030	BUTTON	POWER SW BLACK CBT1A877K92
	32		00M10BW109010	00M10BW109010	SHIELD	FOR TRANSISTOR CMC1A252Z
	33		nsp	nsp	BRACKET	POWER AMP PCB CMD1A490
	36		nsp	nsp	BRACKET	FOR HEATSINK TOP CMD1A491K92
	39		90M-YJ002690R	90M-YJ002690R	TERMINAL	10A/250V AC HJJ8A001Z

NOTE : "nsp" PART IS LISTED FOR REFERENCE ONLY, MARANTZ WILL NOT SUPPLY THESE PARTS.

P.C.B. NAME	POS. NO.	VERS. COLOR	PART NO. (FOR EUR)	PART NO. (MJJ)	PART NAME	DESCRIPTION	
	43		nsp	nsp	BRACKET	BRACKET , TRANS	CMD1A523
	44		nsp	nsp	HOLDER	HOLDER , PCB	CHE1A030
	45		nsp	nsp	CHASSIS	MAIN CHASSIS	CUA1A230
	46		nsp	nsp	HEATSINK	MAIN HEAT SINK	CMY1A246ZA
	47		nsp	nsp	BRACKET	FOR PCB SMALL	CMD1A547
	50		nsp	nsp	BRACKET	FOR PCB LARGE	CMD1A546
	51		nsp	nsp	SUPPORT	SUPPORT,PCB	KRE1A068
	57	/A1B	nsp	90M-AV000340R	TUNER	MODULE (EUR)	CNVKSTMB114LA18
	57	/A1S	nsp	90M-AV000340R	TUNER	MODULE (EUR)	CNVKSTMB114LA18
	57	/K1G	nsp	90M-AV000330R	TUNER	MODULE (CHINA)	CNVKSTMB014MA1A
	57	/L1G	nsp	90M-AV000350R	TUNER	MODULE (USA)	CNVKSTMB014MA08
	57	/N1B	90M-AV000340R	90M-AV000340R	TUNER	MODULE (EUR)	CNVKSTMB114LA18
	57	/N1G	90M-AV000340R	90M-AV000340R	TUNER	MODULE (EUR)	CNVKSTMB114LA18
	57	/N1S	90M-AV000340R	90M-AV000340R	TUNER	MODULE (EUR)	CNVKSTMB114LA18
	57	/U1B	nsp	90M-AV000350R	TUNER	MODULE (USA)	CNVKSTMB014MA08
	58	/A1B	nsp	nsp	PANEL	REAR PANEL A	CKF3A291Y
	58	/A1S	nsp	nsp	PANEL	REAR PANEL A	CKF3A291Y
	58	/F1N	nsp	nsp	PANEL	REAR PANEL F	CKF4A291Z
	58	/K1G	nsp	nsp	PANEL	REAR PANEL K	CKF3A291Z
	58	/L1G	nsp	nsp	PANEL	REAR PANEL L	CKF2A291Y
	58	/N1B	nsp	nsp	PANEL	REAR PANEL N	CKF1A291Z
	58	/N1G	nsp	nsp	PANEL	REAR PANEL N	CKF1A291Z
	58	/N1S	nsp	nsp	PANEL	REAR PANEL N	CKF1A291Z
	58	/U1B	nsp	nsp	PANEL	REAR PANEL U	CKF2A291Z
			90M-FC500030R	90M-FC500030R	FERRITE CORE		CLZ9W003Z
	▲	/A1B	nsp	90M-FS001090R	FUSE		KBA2C5000TLEY
	▲	/A1S	nsp	90M-FS001090R	FUSE		KBA2C5000TLEY
	▲	/F1N	nsp	90M-FS001080R	FUSE		KBA2C1002TLEY
	▲	/K1G	nsp	90M-FS001090R	FUSE		KBA2C5000TLEY
	▲	/L1G	nsp	90M-FS001080R	FUSE		KBA2C1002TLEY
	▲	/N1B	90M-FS001090R	90M-FS001090R	FUSE		KBA2C5000TLEY
	▲	/N1G	90M-FS001090R	90M-FS001090R	FUSE		KBA2C5000TLEY
	▲	/N1S	90M-FS001090R	90M-FS001090R	FUSE		KBA2C5000TLEY
	▲	/U1B	nsp	90M-FS001080R	FUSE		KBA2C1002TLEY
<b>WIRE</b>							
	BN19	/A1B	nsp	nsp	CORD	WIRE ASSY	CWB4F232420UU
	BN19	/A1S	nsp	nsp	CORD	WIRE ASSY	CWB4F232420UU
	BN19	/F1N	nsp	nsp	CORD	WIRE ASSY	CWB4F232420UU
	BN19	/K1G	nsp	nsp	CORD	WIRE ASSY	CWB4F232420UU
	BN19	/L1G	nsp	nsp	CORD	WIRE ASSY	CWB4F232420UU
	BN19	/N1B	nsp	nsp	CORD	WIRE ASSY	CWB4F232420UU
	BN19	/N1G	nsp	nsp	CORD	WIRE ASSY	CWB4F232420UU
	BN19	/N1S	nsp	nsp	CORD	WIRE ASSY	CWB4F232420UU
	BN92		nsp	nsp	CORD	WIRE ASSY	CWZSR7400BN92
	JW15		nsp	90M-YU001860R	FPC		CWC1B4A19A350A
	JW25		nsp	90M-YU001870R	FPC		CWC1B4A15A050B
	JW27		nsp	90M-YU001570R	FPC	PITCH 1.25	CWC1C4A17B080B
	JW34	/K1G	nsp	90M-YU001880R	FPC		CWC1C4A15B200B
	JW34	/L1G	nsp	90M-YU001880R	FPC		CWC1C4A15B200B
	JW34	/U1B	nsp	90M-YU001880R	FPC		CWC1C4A15B200B
	JW35	/A1B	nsp	90M-YU001890R	FPC		CWC1C4A17B200B
	JW35	/A1S	nsp	90M-YU001890R	FPC		CWC1C4A17B200B
	JW35	/N1B	nsp	90M-YU001890R	FPC		CWC1C4A17B200B
	JW35	/N1G	nsp	90M-YU001890R	FPC		CWC1C4A17B200B
	JW35	/N1S	nsp	90M-YU001890R	FPC		CWC1C4A17B200B
	JW36		nsp	90M-YU001900R	FPC		CWC1B4A11A100A
	JW38		nsp	90M-YU001910R	FPC		CWC1B4A15A500A
	JW42		nsp	90M-YU001500R	FPC	PITCH 1.0	CWC1B4A07A050A
	JW48		nsp	90M-YU001920R	FPC	HTS-3000	CWC1B4A23A100B
	JW50		nsp	90M-YU001510R	FPC	PITCH 1.0	CWC1B4A11A050B
<b>PACKING</b>							
		/A1B	nsp	00M10BW851270	USER GUIDE	USER MANUAL A	CQX1A967Z
		/A1S	nsp	00M10BW851270	USER GUIDE	USER MANUAL A	CQX1A967Z
		/F1N	nsp	00M10BW851110	USER GUIDE	USER MANUAL F	CQX1A968Z
		/K1G	nsp	00M10BW851350	USER GUIDE	USER MANUAL K	CQX1A966Z
		/L1G	nsp	00M10BW851350	USER GUIDE	USER MANUAL K	CQX1A966Z

NOTE : "nsp" PART IS LISTED FOR REFERENCE ONLY, MARANTZ WILL NOT SUPPLY THESE PARTS.

P.C.B. NAME	POS. NO.	VERS. COLOR	PART NO. (FOR EUR)	PART NO. (MJ)	PART NAME	DESCRIPTION
		/N1B	00M10BW851310	00M10BW851310	USER GUIDE	USER MANUAL N CQX1A964Z
		/N1G	00M10BW851310	00M10BW851310	USER GUIDE	USER MANUAL N CQX1A964Z
		/N1S	00M10BW851310	00M10BW851310	USER GUIDE	USER MANUAL N CQX1A964Z
		/U1B	nsp	00M10BW851250	USER GUIDE	USER MANUAL U CQX1A965Z
			00MZK11BW0010	00MZK11BW0010	UNIT KIT	REMOTE CONTROLLER HARTSR8500 RC8500SR
	▲ 42	/A1B	nsp	90M-ZC000250R	MAINS CORD	CORD POWER CJA2H001Z
	▲ 42	/A1S	nsp	90M-ZC000250R	MAINS CORD	CORD POWER CJA2H001Z
	▲ 42	/F1N	nsp	90M-ZC000350R	MAINS CORD	CORD POWER CJA2J076Z
	▲ 42	/K1G	nsp	90M-ZC000330R	MAINS CORD	CORD POWER CJA2N075Z
	▲ 42	/L1G	nsp	90M-ZC000370R	MAINS CORD	CORD POWER CJA2L080Z
	▲ 42	/N1B	90M-ZC000320R	90M-ZC000320R	MAINS CORD	DETACHABLE/EUR CJA2B054Z
	▲ 42	/N1G	90M-ZC000320R	90M-ZC000320R	MAINS CORD	DETACHABLE/EUR CJA2B054Z
	▲ 42	/N1S	90M-ZC000320R	90M-ZC000320R	MAINS CORD	DETACHABLE/EUR CJA2B054Z
	▲ 42	/U1B	nsp	90M-ZC000310R	MAINS CORD	PLUG+SOCKET UL CJA2A070Z
			00M11BW009010	00M11BW009010	MICROPHONE	MIC MC-10 HMICROSR7500
			00M10BW067010	00M10BW067010	CAP	FOR FRONT JACK CGR1A344
<b>NOT STANDARD SPARE PARTS</b>						
		/A1B	nsp	00M10BW801010	PACKING CASE	SR7500 CPG1A778Z
		/A1S	nsp	00M10BW801010	PACKING CASE	SR7500 CPG1A778Z
		/F1N	nsp	00M10BW801030	PACKING CASE	PS7500 CPG1A778Y
		/K1G	nsp	00M10BW801020	PACKING CASE	SR7500 WO CO CPG1A778X
		/L1G	nsp	00M10BW801020	PACKING CASE	SR7500 WO CO CPG1A778X
		/N1B	nsp	00M10BW801010	PACKING CASE	SR7500 CPG1A778Z
		/N1G	nsp	00M10BW801010	PACKING CASE	SR7500 CPG1A778Z
		/N1S	nsp	00M10BW801010	PACKING CASE	SR7500 CPG1A778Z
		/U1B	nsp	00M10BW801010	PACKING CASE	SR7500 CPG1A778Z
			nsp	00M10BW809020	CUSHION	CUSHION R CPS1A692
			nsp	00M10BW809010	CUSHION	CUSHION L CPS1A691
		/N1B	nsp	00M10BW805010	MASS CARTON	SR7500N CPG1A779Z
		/N1G	nsp	00M10BW805010	MASS CARTON	SR7500N CPG1A779Z
		/N1S	nsp	00M10BW805010	MASS CARTON	SR7500N CPG1A779Z
	34	/A1B	nsp	00M10BW257010	LID	TOP COVER BLACK CKC1A161K117
	34	/A1S	nsp	00M10BW257210	LID	TOP COVER SILVER CKC1A161G14
	34	/F1N	nsp	00M10BW257110	LID	TOP COVER GOLD CKC1A161K118
	34	/K1G	nsp	00M10BW257110	LID	TOP COVER GOLD CKC1A161K118
	34	/L1G	nsp	00M10BW257110	LID	TOP COVER GOLD CKC1A161K118
	34	/N1B	nsp	00M10BW257010	LID	TOP COVER BLACK CKC1A161K117
	34	/N1G	nsp	00M10BW257110	LID	TOP COVER GOLD CKC1A161K118
	34	/N1S	nsp	00M10BW257210	LID	TOP COVER SILVER CKC1A161G14
	34	/U1B	nsp	00M10BW257010	LID	TOP COVER BLACK CKC1A161K117

NOTE : "nsp" PART IS LISTED FOR REFERENCE ONLY, MARANTZ WILL NOT SUPPLY THESE PARTS.

P.C.B. NAME	POS. NO.	VERS. COLOR	PART NO. (FOR EUR)	PART NO. (MJI)	PART NAME	DESCRIPTION	
	1	/A1B	nsp	00M28AW154010	KNOB	MASTER (BLACK)	HGK1A090YA
	1	/A1S	nsp	00M28AW154030	KNOB	MASTER (SILVER)	HGK1A090XA
	1	/F1N	nsp	00M28AW154020	KNOB	MASTER (GOLD)	HGK1A090ZA
	1	/L1G	nsp	00M28AW154020	KNOB	MASTER (GOLD)	HGK1A090ZA
	1	/N1B	00M28AW154010	00M28AW154010	KNOB	MASTER (BLACK)	HGK1A090YA
	1	/N1G	00M28AW154020	00M28AW154020	KNOB	MASTER (GOLD)	HGK1A090ZA
	1	/N1S	00M28AW154030	00M28AW154030	KNOB	MASTER (SILVER)	HGK1A090XA
	1	/U1B	nsp	00M28AW154010	KNOB	MASTER (BLACK)	HGK1A090YA
	2	/A1B	nsp	00M11BW248010	PANEL	FRONT AL (BLACK)	CKM1A159WC23
	2	/A1S	nsp	00M11BW248210	PANEL	FRONT AL (SILVER)	CKM1A159WC40
	2	/F1N	nsp	00M11BW248130	PANEL	FRONT AL (GOLD)	CKM1A159UC24
	2	/L1G	nsp	00M11BW248110	PANEL	FRONT AL (GOLD)	CKM1A159WC24
	2	/N1B	00M11BW248010	00M11BW248010	PANEL	FRONT AL (BLACK)	CKM1A159WC23
	2	/N1G	00M11BW248110	00M11BW248110	PANEL	FRONT AL (GOLD)	CKM1A159WC24
	2	/N1S	00M11BW248210	00M11BW248210	PANEL	FRONT AL (SILVER)	CKM1A159WC40
	2	/U1B	nsp	00M11BW248020	PANEL	FRONT AL (U BLACK)	CKM1A159VC23
	3	/A1B	nsp	00M10BW162010	DOOR	DOOR PANEL BLACK	CKM1A160C23
	3	/A1S	nsp	00M10BW162210	DOOR	DOOR PANEL SILVER	CKM1A160C40
	3	/F1N	nsp	00M10BW162110	DOOR	DOOR PANEL GOLD	CKM1A160C24
	3	/L1G	nsp	00M10BW162110	DOOR	DOOR PANEL GOLD	CKM1A160C24
	3	/N1B	00M10BW162010	00M10BW162010	DOOR	DOOR PANEL BLACK	CKM1A160C23
	3	/N1G	00M10BW162110	00M10BW162110	DOOR	DOOR PANEL GOLD	CKM1A160C24
	3	/N1S	00M10BW162210	00M10BW162210	DOOR	DOOR PANEL SILVER	CKM1A160C40
	3	/U1B	nsp	00M10BW162010	DOOR	DOOR PANEL BLACK	CKM1A160C23
	4		nsp	nsp	CONTACTOR	ESDCONTACTOR	CMC1A251
	5	/A1B	nsp	00M10BW002010	ARM	DOOR ARM BLACK	CKG1A046R4K92
	5	/A1S	nsp	00M10BW002210	ARM	DOOR ARM SILVER	CKG1A046R6G13
	5	/F1N	nsp	00M10BW002110	ARM	DOOR ARM GOLD	CKG1A046RFD4
	5	/L1G	nsp	00M10BW002110	ARM	DOOR ARM GOLD	CKG1A046RFD4
	5	/N1B	00M10BW002010	00M10BW002010	ARM	DOOR ARM BLACK	CKG1A046R4K92
	5	/N1G	00M10BW002110	00M10BW002110	ARM	DOOR ARM GOLD	CKG1A046RFD4
	5	/N1S	00M10BW002210	00M10BW002210	ARM	DOOR ARM SILVER	CKG1A046R6G13
	5	/U1B	nsp	00M10BW002010	ARM	DOOR ARM BLACK	CKG1A046R4K92
	6		00M10BW112010	00M10BW112010	SHAFT	SHAFT FOR DOOR	CDF1A018
	7		00M10BW104010	00M10BW104010	RETAINER	FOR MAGNET	CMD1A542
	8	/A1B	nsp	00M10BW063010	ESCUTCHEON	PLATE BLACK	CGX1A358Z
	8	/A1S	nsp	00M10BW063210	ESCUTCHEON	PLATE SILVER	CGX1A358Y
	8	/F1N	nsp	00M10BW063110	ESCUTCHEON	PLATE GOLD	CGX1A358W
	8	/L1G	nsp	00M10BW063110	ESCUTCHEON	PLATE GOLD	CGX1A358X
	8	/N1B	00M10BW063010	00M10BW063010	ESCUTCHEON	PLATE BLACK	CGX1A358Z
	8	/N1G	00M10BW063110	00M10BW063110	ESCUTCHEON	PLATE GOLD	CGX1A358X
	8	/N1S	00M10BW063210	00M10BW063210	ESCUTCHEON	PLATE SILVER	CGX1A358Y
	8	/U1B	nsp	00M10BW063010	ESCUTCHEON	PLATE BLACK	CGX1A358Z
	9		nsp	nsp	BRACKET		CMD2A443
	10	/A1B	nsp	00M10BW270010	BUTTON	CURSOR (BLACK)	CBT1A957ZK92
	10	/A1S	nsp	00M10BW270210	BUTTON	CURSOR (SILVER)	CBT1A957R6ZG13
	10	/F1N	nsp	00M10BW270110	BUTTON	CURSOR (GOLD)	CBT1A957RFZD4
	10	/L1G	nsp	00M10BW270110	BUTTON	CURSOR (GOLD)	CBT1A957RFZD4
	10	/N1B	00M10BW270010	00M10BW270010	BUTTON	CURSOR (BLACK)	CBT1A957ZK92
	10	/N1G	00M10BW270110	00M10BW270110	BUTTON	CURSOR (GOLD)	CBT1A957RFZD4
	10	/N1S	00M10BW270210	00M10BW270210	BUTTON	CURSOR (SILVER)	CBT1A957R6ZG13
	10	/U1B	nsp	00M10BW270010	BUTTON	CURSOR (BLACK)	CBT1A957ZK92
	11	/A1B	nsp	00M10BW270020	BUTTON	BUTTON (BLACK)	CBT1A958K92
	11	/A1S	nsp	00M10BW270220	BUTTON	BUTTON (SILVER)	CBT1A958R6G13
	11	/F1N	nsp	00M10BW270120	BUTTON	BUTTON (GOLD)	CBT1A958RFD4
	11	/L1G	nsp	00M10BW270120	BUTTON	BUTTON (GOLD)	CBT1A958RFD4
	11	/N1B	00M10BW270020	00M10BW270020	BUTTON	BUTTON (BLACK)	CBT1A958K92
	11	/N1G	00M10BW270120	00M10BW270120	BUTTON	BUTTON (GOLD)	CBT1A958RFD4
	11	/N1S	00M10BW270220	00M10BW270220	BUTTON	BUTTON (SILVER)	CBT1A958R6G13
	11	/U1B	nsp	00M10BW270020	BUTTON	BUTTON (BLACK)	CBT1A958K92
	12		nsp	nsp	BUFFER	RUBBER, CUSHION	KHG1A050
	13	/A1B	nsp	00M243W057010	LEG	FOOT , FRONT	CKL2A042H11
	13	/A1S	nsp	00M243W057210	LEG	FOOT , FRONT	CKL2A042H46
	13	/F1N	nsp	00M243W057010	LEG	FOOT , FRONT	CKL2A042H11
	13	/L1G	nsp	00M243W057010	LEG	FOOT , FRONT	CKL2A042H11
	13	/N1B	00M243W057010	00M243W057010	LEG	FOOT , FRONT	CKL2A042H11

NOTE : "nsp" PART IS LISTED FOR REFERENCE ONLY, MARANTZ WILL NOT SUPPLY THESE PARTS.

P.C.B. NAME	POS. NO.	VERS. COLOR	PART NO. (FOR EUR)	PART NO. (MJI)	PART NAME	DESCRIPTION
	13	/N1G	00M243W057010	00M243W057010	LEG	FOOT , FRONT CKL2A042H11
	13	/N1S	00M243W057210	00M243W057210	LEG	FOOT , FRONT CKL2A042H46
	13	/U1B	nsp	00M243W057010	LEG	FOOT , FRONT CKL2A042H11
	14		00M10BW305010	00M10BW305010	MAGNET	MAGNET FOR DOOR CJC1A008
	▲16	/A1B	nsp	90M-TS002420R	TRANSF.	SR8500/A1 HLT5Z014ZW
	▲16	/A1S	nsp	90M-TS002420R	TRANSF.	SR8500/A1 HLT5Z014ZW
	▲16	/F1N	nsp	90M-TS002430R	TRANSF.	PS8500/F1 HLT5Z014ZJ
	▲16	/L1G	nsp	90M-TS002440R	TRANSF.	SR8500/L1 HLT5Z014ZS
	▲16	/N1B	90M-TS002450R	90M-TS002450R	TRANSF.	SR8500/N1 HLT5Z014ZE
	▲16	/N1G	90M-TS002450R	90M-TS002450R	TRANSF.	SR8500/N1 HLT5Z014ZE
	▲16	/N1S	90M-TS002450R	90M-TS002450R	TRANSF.	SR8500/N1 HLT5Z014ZE
	▲16	/U1B	nsp	90M-TS002460R	TRANSF.	SR8500/U1 HLT5Z014ZU
	17	/A1B	nsp	00M24AW251010	BADGE	NEW MZ BADGE CGB1A117
	17	/A1S	nsp	00M24AW251020	BADGE	NEW MZ BADGE SIL. CGB1A117G
	17	/F1N	nsp	00M24AW251010	BADGE	NEW MZ BADGE CGB1A117
	17	/L1G	nsp	00M24AW251010	BADGE	NEW MZ BADGE CGB1A117
	17	/N1B	00M24AW251010	00M24AW251010	BADGE	NEW MZ BADGE CGB1A117
	17	/N1G	00M24AW251010	00M24AW251010	BADGE	NEW MZ BADGE CGB1A117
	17	/N1S	00M24AW251020	00M24AW251020	BADGE	NEW MZ BADGE SIL. CGB1A117G
	17	/U1B	nsp	00M24AW251010	BADGE	NEW MZ BADGE CGB1A117
	18		00M10BW355010	00M10BW355010	LENS	STANDBY LENS CGL1A231
	19		nsp	nsp	TAPE	TAPE, HEMELON KHS1A032
	20		00M10BW158010	00M10BW158010	WINDOW	WINDOW , FIP CGU1A359Z
	21		00M446T056010	00M446T056010	BUFFER	CUSHION , DOOR CHG1A296Y
	22	/A1B	nsp	00M10BW105020	CHASSIS	FRONT MOLD BLACK CGW1A390R4K92
	22	/A1S	nsp	00M10BW105220	CHASSIS	FRONT MOLD SILVER CGW1A390R6G13
	22	/F1N	nsp	00M10BW105120	CHASSIS	FRONT MOLD GOLD CGW1A390RFD4
	22	/L1G	nsp	00M10BW105120	CHASSIS	FRONT MOLD GOLD CGW1A390RFD4
	22	/N1B	00M10BW105020	00M10BW105020	CHASSIS	FRONT MOLD BLACK CGW1A390R4K92
	22	/N1G	00M10BW105120	00M10BW105120	CHASSIS	FRONT MOLD GOLD CGW1A390RFD4
	22	/N1S	00M10BW105220	00M10BW105220	CHASSIS	FRONT MOLD SILVER CGW1A390R6G13
	22	/U1B	nsp	00M10BW105020	CHASSIS	FRONT MOLD BLACK CGW1A390R4K92
	23	/A1B	nsp	00M27AW270040	BUTTON	POWER SW BLACK CBC1A146K92
	23	/A1S	nsp	00M27AW270240	BUTTON	POWER SW SILVER CBC1A146R6G13
	23	/F1N	nsp	00M27AW270140	BUTTON	POWER SW GOLD CBC1A146RFD4
	23	/L1G	nsp	00M27AW270140	BUTTON	POWER SW GOLD CBC1A146RFD4
	23	/N1B	00M27AW270040	00M27AW270040	BUTTON	POWER SW BLACK CBC1A146K92
	23	/N1G	00M27AW270140	00M27AW270140	BUTTON	POWER SW GOLD CBC1A146RFD4
	23	/N1S	00M27AW270240	00M27AW270240	BUTTON	POWER SW SILVER CBC1A146R6G13
	24	/A1B	nsp	nsp	BRACKET	POWER SW CMD1A493
	24	/A1S	nsp	nsp	BRACKET	POWER SW CMD1A493
	24	/F1N	nsp	nsp	BRACKET	POWER SW CMD1A493
	24	/L1G	nsp	nsp	BRACKET	POWER SW CMD1A493
	24	/N1B	nsp	nsp	BRACKET	POWER SW CMD1A493
	24	/N1G	nsp	nsp	BRACKET	POWER SW CMD1A493
	24	/N1S	nsp	nsp	BRACKET	POWER SW CMD1A493
	25		00M391H130030	00M391H130030	DAMPER	KDG1A006Z
	28		00M10BW355020	00M10BW355020	LENS	FOR THX / DIRECT CGL1A232
	29	/U1B	nsp	00M27AW270030	BUTTON	POWER SW BLACK CBT1A877K92
	32		00M10BW109010	00M10BW109010	SHIELD	FOR TRANSISTOR CMC1A252Z
	33		nsp	nsp	BRACKET	POWER AMP PCB CMD1A490
	36		nsp	nsp	BRACKET	FOR HEATSINK TOP CMD1A491K92
	39		90M-YJ002690R	90M-YJ002690R	TERMINAL	10A/250V AC HJJ8A001Z
	43		nsp	nsp	BRACKET	BRACKET , TRANS CMD1A523
	44		nsp	nsp	HOLDER	HOLDER , PCB CHE1A030
	45		nsp	nsp	CHASSIS	MAIN CHASSIS CUA1A230CC
	46		nsp	nsp	HEATSINK	MAIN HEAT SINK CMY1A246ZA
	47		nsp	nsp	BRACKET	FOR PCB SMALL CMD1A547
	50		nsp	nsp	BRACKET	FOR PCB LARGE CMD1A546
	55		nsp	nsp	SUPPORT	SUPPORT,PCB KRE1A064
	58	/A1B	nsp	90M-AV000340R	TUNER	MODULE (EUR) CNVKSTMB114LA18
	58	/A1S	nsp	90M-AV000340R	TUNER	MODULE (EUR) CNVKSTMB114LA18
	58	/L1G	nsp	90M-AV000350R	TUNER	MODULE (USA) CNVKSTMB014MA08
	58	/N1B	90M-AV000340R	90M-AV000340R	TUNER	MODULE (EUR) CNVKSTMB114LA18
	58	/N1G	90M-AV000340R	90M-AV000340R	TUNER	MODULE (EUR) CNVKSTMB114LA18
	58	/N1S	90M-AV000340R	90M-AV000340R	TUNER	MODULE (EUR) CNVKSTMB114LA18

NOTE : "nsp" PART IS LISTED FOR REFERENCE ONLY, MARANTZ WILL NOT SUPPLY THESE PARTS.

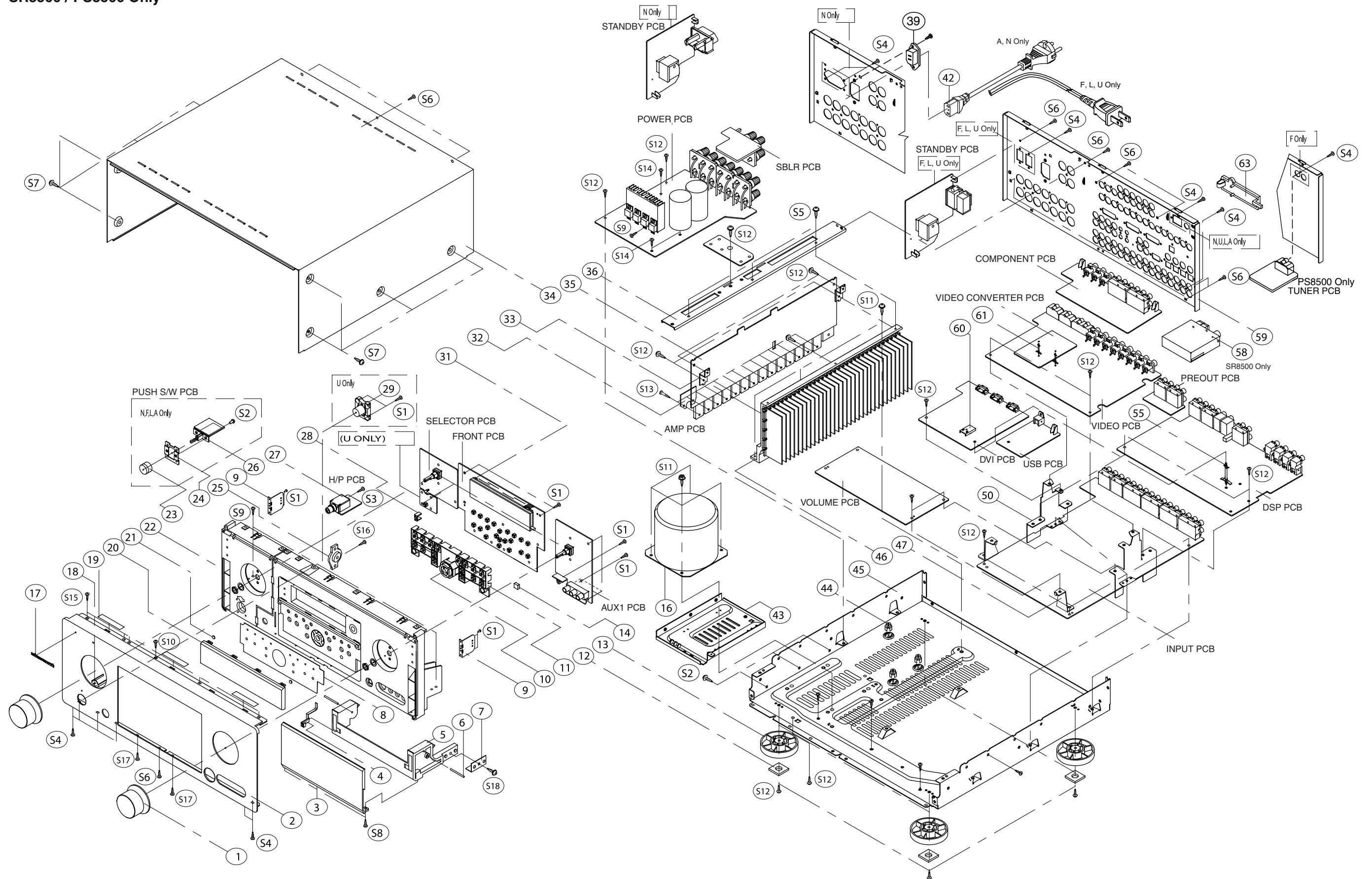
P.C.B. NAME	POS. NO.	VERS. COLOR	PART NO. (FOR EUR)	PART NO. (MJI)	PART NAME	DESCRIPTION	
	58	/U1B	nsp	90M-AV000350R	TUNER	MODULE (USA)	CNVKSTMB014MA08
	59	/A1B	nsp	nsp	PANEL	REAR PANEL A	CKF8A291Z
	59	/A1S	nsp	nsp	PANEL	REAR PANEL A	CKF8A291Z
	59	/F1N	nsp	nsp	PANEL	REAR PANEL F	CKF9A291Z
	59	/L1G	nsp	nsp	PANEL	REAR PANEL L	CKF7A291Y
	59	/N1B	nsp	nsp	PANEL	REAR PANEL N	CKF6A291Z
	59	/N1G	nsp	nsp	PANEL	REAR PANEL N	CKF6A291Z
	59	/N1S	nsp	nsp	PANEL	REAR PANEL N	CKF6A291Z
	59	/U1B	nsp	nsp	PANEL	REAR PANEL U	CKF7A291Z
	61		nsp	nsp	SUPPORT	SUPPORT,PCB	KRE1A068
	63		nsp	nsp	COVER	COVER, USB BACK	CGR1A374K92
			90M-FC500030R	90M-FC500030R	FERRITE CORE		CLZ9W003Z
	▲	/A1B	nsp	90M-FS001090R	FUSE		KBA2C5000TLEY
	▲	/A1S	nsp	90M-FS001090R	FUSE		KBA2C5000TLEY
	▲	/F1N	nsp	90M-FS001080R	FUSE		KBA2C1002TLEY
	▲	/L1G	nsp	90M-FS001080R	FUSE		KBA2C1002TLEY
	▲	/N1B	90M-FS001090R	90M-FS001090R	FUSE		KBA2C5000TLEY
	▲	/N1G	90M-FS001090R	90M-FS001090R	FUSE		KBA2C5000TLEY
	▲	/N1S	90M-FS001090R	90M-FS001090R	FUSE		KBA2C5000TLEY
	▲	/U1B	nsp	90M-FS001080R	FUSE		KBA2C1002TLEY
<b>WIRE</b>							
	BN19	/A1B	nsp	nsp	CORD	WIRE ASSY	CWB4F232420UU
	BN19	/A1S	nsp	nsp	CORD	WIRE ASSY	CWB4F232420UU
	BN19	/F1N	nsp	nsp	CORD	WIRE ASSY	CWB4F232420UU
	BN19	/L1G	nsp	nsp	CORD	WIRE ASSY	CWB4F232420UU
	BN19	/N1B	nsp	nsp	CORD	WIRE ASSY	CWB4F232420UU
	BN19	/N1G	nsp	nsp	CORD	WIRE ASSY	CWB4F232420UU
	BN19	/N1S	nsp	nsp	CORD	WIRE ASSY	CWB4F232420UU
	BN92		nsp	nsp	CORD	WIRE ASSY	CWZSR7400BN92
	JW13		nsp	90M-YU001900R	FPC		CWC1B4A11A100A
	JW15		nsp	90M-YU001860R	FPC		CWC1B4A19A350A
	JW25		nsp	90M-YU001870R	FPC		CWC1B4A15A050B
	JW27		nsp	90M-YU001570R	FPC	PITCH 1.25	CWC1C4A17B080B
	JW34	/L1G	nsp	90M-YU001880R	FPC		CWC1C4A15B200B
	JW34	/U1B	nsp	90M-YU001880R	FPC		CWC1C4A15B200B
	JW35	/A1B	nsp	90M-YU001890R	FPC		CWC1C4A17B200B
	JW35	/A1S	nsp	90M-YU001890R	FPC		CWC1C4A17B200B
	JW35	/N1B	nsp	90M-YU001890R	FPC		CWC1C4A17B200B
	JW35	/N1G	nsp	90M-YU001890R	FPC		CWC1C4A17B200B
	JW35	/N1S	nsp	90M-YU001890R	FPC		CWC1C4A17B200B
	JW36		nsp	90M-YU001900R	FPC		CWC1B4A11A100A
	JW38		nsp	90M-YU001910R	FPC		CWC1B4A15A500A
	JW42		nsp	90M-YU001500R	FPC	PITCH 1.0	CWC1B4A07A050A
	JW48		nsp	90M-YU001920R	FPC	HTS-3000	CWC1B4A23A100B
	JW50		nsp	90M-YU001510R	FPC	PITCH 1.0	CWC1B4A11A050B
<b>PACKING</b>							
		/A1B	nsp	00M10BW851270	USER GUIDE	USER MANUAL A	CQX1A967Z
		/A1S	nsp	00M10BW851270	USER GUIDE	USER MANUAL A	CQX1A967Z
		/F1N	nsp	00M10BW851110	USER GUIDE	USER MANUAL F	CQX1A968Z
		/L1G	nsp	00M10BW851350	USER GUIDE	USER MANUAL L	CQX1A966Z
		/N1B	00M10BW851310	00M10BW851310	USER GUIDE	USER MANUAL N	CQX1A964Z
		/N1G	00M10BW851310	00M10BW851310	USER GUIDE	USER MANUAL N	CQX1A964Z
		/N1S	00M10BW851310	00M10BW851310	USER GUIDE	USER MANUAL N	CQX1A964Z
		/U1B	nsp	00M10BW851250	USER GUIDE	USER MANUAL U	CQX1A965Z
			00MZK11BW0010	00MZK11BW0010	UNIT KIT	REMOTE	HARTSR8500
	▲ 42	/A1B	nsp	90M-ZC000250R	MAINS CORD	CORD POWER	CJA2H001Z
	▲ 42	/A1S	nsp	90M-ZC000250R	MAINS CORD	CORD POWER	CJA2H001Z
	▲ 42	/F1N	nsp	90M-ZC000350R	MAINS CORD	CORD POWER	CJA2J076Z
	▲ 42	/L1G	nsp	90M-ZC000370R	MAINS CORD	CORD POWER	CJA2L080Z
	▲ 42	/N1B	90M-ZC000320R	90M-ZC000320R	MAINS CORD	DETACHABLE/EUR	CJA2B054Z
	▲ 42	/N1G	90M-ZC000320R	90M-ZC000320R	MAINS CORD	DETACHABLE/EUR	CJA2B054Z
	▲ 42	/N1S	90M-ZC000320R	90M-ZC000320R	MAINS CORD	DETACHABLE/EUR	CJA2B054Z
	▲ 42	/U1B	nsp	90M-ZC000310R	MAINS CORD	PLUG+SOCKET UL	CJA2A070Z
			00M11BW009010	00M11BW009010	MICROPHONE	MIC MC-10	HMICROSR7500
			00M10BW067010	00M10BW067010	CAP	FOR FRONT JACK	CGR1A344

NOTE : "nsp" PART IS LISTED FOR REFERENCE ONLY, MARANTZ WILL NOT SUPPLY THESE PARTS.





SR8500 / PS8500 Only



### 13. ELECTRICAL PARTS LIST

#### PARTS INFORMATION

##### RESISTORS

- 1) 00MGD05xxx140, Carbon film fixed resistor, ±5% 1/4W
- 2) 00MGD05xxx160, Carbon film fixed resistor, ±5% 1/6W

① Resistance value

Examples ;

① Resistance value  
 0.1 Ω .... 001    10 Ω .... 100    1 kΩ .... 102    100 kΩ .... 104  
 0.5 Ω .... 005    18 Ω .... 180    2.7 kΩ .... 272    680 kΩ .... 684  
 1 Ω .... 010    100 Ω .... 101    10 kΩ .... 103    1 MΩ .... 105  
 6.8 Ω .... 068    390 Ω .... 391    22 kΩ .... 223    4.7 MΩ .... 475

Note : Please distinguish 1/4W from 1/6W by the shape of parts used actually.

##### CAPACITORS

###### CERAMIC CAP.

- 3) 00MDD1xxx370 Ceramic capacitor  
 Disc type  
 Temp.coeff.P350 ~ N1000, 50V

② Capacity value  
 ③ Tolerance

Examples ;

② Tolerance (Capacity deviation)  
 ±0.25 pF .... 0  
 ±0.5 pF .... 1  
 ±5% .... 5

\* Tolerance of COMMON PARTS handled here are as follows :

0.5 pF ~ 5 pF .... ±0.25 pF  
 6 pF ~ 10 pF .... ±0.5 pF  
 12 pF ~ 560 pF .... ±5%

③ Capacity value

0.5 pF .... 005    3 pF .... 030    100 pF .... 101  
 1 pF .... 010    10 pF .... 100    220 pF .... 221  
 1.5 pF .... 015    47 pF .... 470    560 pF .... 561

###### CERAMIC CAP.

- 4) 00MDK16xxx300, High dielectric constant ceramic capacitor  
 Disc type  
 Temp.chara. 2B4, 50V

④ Capacity value

Examples ;

④ Capacity value  
 100 pF .... 101    1000 pF .... 102    10000 pF .... 103  
 470 pF .... 471    2200 pF .... 222

###### ELECTROLY CAP. ( $\text{⏏}$ )

- 5) 00MEAxxx10, Electrolytic capacitor  
 One-way lead type, Tolerance ±20%

⑤ Capacity value  
 ⑥ Working voltage

Examples ;

⑤ Capacity value  
 0.1 μF .... 104    4.7 μF .... 475    100 μF .... 107  
 0.33 μF .... 334    10 μF .... 106    330 μF .... 337  
 1 μF .... 105    22 μF .... 226    1100 μF .... 118  
 2200 μF .... 228

⑥ Working voltage

6.3V .... 006    25V .... 025  
 10V .... 010    35V .... 035  
 16V .... 016    50V .... 050

###### FILM CAP. ( $\text{⏏}$ )

- 6) 00MDF15xxx350 Plastic film capacitor  
 00MDF15xxx310 One-way type, Mylar ±5% 50V  
 00MDF16xxx310 Plastic film capacitor  
 One-way type, Mylar ±10% 50V

⑦ Capacity value

Examples ;

⑦ Capacity value  
 0.001 μF (1000 pF) ..... 102    0.1 μF .... 104  
 0.0018 μF ..... 182    0.56 μF .... 564  
 0.01 μF ..... 103    1 μF .... 105  
 0.015 μF ..... 153

#### NOTE ON SAFETY FOR FUSIBLE RESISTOR :

The suppliers and their type numbers of fusible resistors are as follows;

##### 1. KOA Corporation

Part No. (MJI)	Type No. (KOA)	Description
00MNH05 xxx 140	RF25S xxx ΩJ	(±5% 1/4W)
00MNH05 xxx 120	RF50S xxx ΩJ	(±5% 1/2W)
00MNH85 xxx 110	RF73B2A xxx ΩJ	(±5% 1/10W)
00MNH95 xxx 140	RF73B2E xxx ΩJ	(±5% 1/4W)

\* Resistance value    Resistance value (0.1 Ω - 10 kΩ)

##### 2. Matsushita Electronic Components Co., Ltd

Part No. (MJI)	Type No. (MEC)	Description
00MNF05 xxx 140	ERD-2FCJ xxx	(±5% 1/4W)
00MRF05 xxx 140		
00MNF02 xxx 140	ERD-2FCG xxx	(±2% 1/4W)
00MRF02 xxx 140		

\* Resistance value    \* Resistance value

Examples ;

\* Resistance value  
 0.1 Ω .... 001    10 Ω .... 100    1 kΩ .... 102    100 kΩ .... 104  
 0.5 Ω .... 005    18 Ω .... 180    2.7 kΩ .... 272    680 kΩ .... 684  
 1 Ω .... 010    100 Ω .... 101    10 kΩ .... 103    1 MΩ .... 105  
 6.8 Ω .... 068    390 Ω .... 391    22 kΩ .... 223    4.7 MΩ .... 475



#### ABBREVIATION AND MARKS

ANT. : ANTENNA	BATT. : BATTERY
CAP. : CAPACITOR	CER. : CERAMIC
CONN. : CONNECTING	DIG. : DIGITAL
HP : HEADPHONE	MIC. : MICROPHONE
μ-PRO : MICROPROCESSOR	REC. : RECORDING
RES. : RESISTOR	SPK : SPEAKER
SW : SWITCH	TRANSF. : TRANSFORMER
TRIM. : TRIMMING	TRS. : TRANSISTOR
VAR. : VARIABLE	X'TAL : CRYSTAL


#### NOTE ON FUSE :

Regarding to all parts of parts code 00MFS20xxx2xx, replace only with Wickmann-Werke GmbH, Type 372 non glass type fuse.

#### NOTE ON SAFETY :

Symbol  Fire or electrical shock hazard. Only original parts should be used to replaced any part marked with symbol . Any other component substitution (other than original type), may increase risk of fire or electrical shock hazard.

#### 安全上の注意 :

 がついている部品は、安全上重要な部品です。必ず指定されている部品番号の部品を使用して下さい。

P.C.B. NAME	POS. NO.	VERS. COLOR	PART NO. (FOR EUR)	PART NO. (MJI)	PART NAME	DESCRIPTION
					<b>AMP PCB (CUP11760)</b>	
AMP	BN23		nsp	nsp	CORD	CWZSR7500BN23
AMP	BN24		nsp	nsp	CORD	CWZSR7500BN24
AMP	BN25		nsp	nsp	JACK	CJP05GA19ZY
AMP	BN68		nsp	nsp	CORD	CWZSR7400BN68
AMP	BN83		nsp	nsp	CORD	CWZSR7400BN83
AMP	C401		nsp	00MOA10605020	ELECT CAP.	10UF 50V HCEA1HH100T
AMP	C402		nsp	00MOA10605020	ELECT CAP.	10UF 50V HCEA1HH100T
AMP	C403		nsp	nsp	CER. CAP.	330PF 50V KB CCKT1H331KB
AMP	C404		nsp	nsp	CER. CAP.	330PF 50V KB CCKT1H331KB
AMP	C405		nsp	nsp	CER. CAP.	10PF 50V DC CCCT1H100DC
AMP	C406		nsp	nsp	CER. CAP.	10PF 50V DC CCCT1H100DC
AMP	C407		90M-OF100350R	90M-OF100350R	FILM CAP	2200PF 50V J HCQ11H222JZT
AMP	C408		90M-OF100350R	90M-OF100350R	FILM CAP	2200PF 50V J HCQ11H222JZT
AMP	C409		nsp	00MOA22605020	ELECT CAP.	22UF 50V HCEA1HH220T
AMP	C410		nsp	00MOA22605020	ELECT CAP.	22UF 50V HCEA1HH220T
AMP	C411		nsp	00MOA10710020	ELECT CAP.	100UF 100V HCEA2AH101E
AMP	C412		nsp	00MOA10710020	ELECT CAP.	100UF 100V HCEA2AH101E
AMP	C413		nsp	00MOA10710020	ELECT CAP.	100UF 100V HCEA2AH101E
AMP	C414		nsp	00MOA10710020	ELECT CAP.	100UF 100V HCEA2AH101E
AMP	C419		nsp	00MOA10705020	ELECT CAP.	100UF 50V HCEA1HH101T
AMP	C420		nsp	00MOA10705020	ELECT CAP.	100UF 50V HCEA1HH101T
AMP	C421		nsp	00MOA10702520	ELECT CAP.	100UF 25V HCEA1EH101T
AMP	C422		nsp	00MOA10702520	ELECT CAP.	100UF 25V HCEA1EH101T
AMP	C501		nsp	00MOA10605020	ELECT CAP.	10UF 50V HCEA1HH100T
AMP	C502		nsp	00MOA10605020	ELECT CAP.	10UF 50V HCEA1HH100T
AMP	C503		nsp	nsp	CER. CAP.	330PF 50V KB CCKT1H331KB
AMP	C504		nsp	nsp	CER. CAP.	330PF 50V KB CCKT1H331KB
AMP	C505		nsp	nsp	CER. CAP.	10PF 50V DC CCCT1H100DC
AMP	C506		nsp	nsp	CER. CAP.	10PF 50V DC CCCT1H100DC
AMP	C507		90M-OF100350R	90M-OF100350R	FILM CAP	2200PF 50V J HCQ11H222JZT
AMP	C508		90M-OF100350R	90M-OF100350R	FILM CAP	2200PF 50V J HCQ11H222JZT
AMP	C509		nsp	00MOA22605020	ELECT CAP.	22UF 50V HCEA1HH220T
AMP	C510		nsp	00MOA22605020	ELECT CAP.	22UF 50V HCEA1HH220T
AMP	C511		nsp	00MOA10710020	ELECT CAP.	100UF 100V HCEA2AH101E
AMP	C512		nsp	00MOA10710020	ELECT CAP.	100UF 100V HCEA2AH101E
AMP	C513		nsp	00MOA10710020	ELECT CAP.	100UF 100V HCEA2AH101E
AMP	C514		nsp	00MOA10710020	ELECT CAP.	100UF 100V HCEA2AH101E
AMP	C519		nsp	00MOA10705020	ELECT CAP.	100UF 50V HCEA1HH101T
AMP	C520		nsp	00MOA10705020	ELECT CAP.	100UF 50V HCEA1HH101T
AMP	C521		nsp	00MOA10702520	ELECT CAP.	100UF 25V HCEA1EH101T
AMP	C522		nsp	00MOA10702520	ELECT CAP.	100UF 25V HCEA1EH101T
AMP	C601		nsp	00MOA10605020	ELECT CAP.	10UF 50V HCEA1HH100T
AMP	C602		nsp	00MOA10605020	ELECT CAP.	10UF 50V HCEA1HH100T
AMP	C603		nsp	nsp	CER. CAP.	330PF 50V KB CCKT1H331KB
AMP	C604		nsp	nsp	CER. CAP.	330PF 50V KB CCKT1H331KB
AMP	C605		nsp	nsp	CER. CAP.	10PF 50V DC CCCT1H100DC
AMP	C606		nsp	nsp	CER. CAP.	10PF 50V DC CCCT1H100DC
AMP	C607		90M-OF100350R	90M-OF100350R	FILM CAP	2200PF 50V J HCQ11H222JZT
AMP	C608		90M-OF100350R	90M-OF100350R	FILM CAP	2200PF 50V J HCQ11H222JZT
AMP	C609		nsp	00MOA22605020	ELECT CAP.	22UF 50V HCEA1HH220T
AMP	C610		nsp	00MOA22605020	ELECT CAP.	22UF 50V HCEA1HH220T
AMP	C611		nsp	00MOA10710020	ELECT CAP.	100UF 100V HCEA2AH101E
AMP	C612		nsp	00MOA10710020	ELECT CAP.	100UF 100V HCEA2AH101E
AMP	C613		nsp	00MOA10710020	ELECT CAP.	100UF 100V HCEA2AH101E
AMP	C614		nsp	00MOA10710020	ELECT CAP.	100UF 100V HCEA2AH101E
AMP	C619		nsp	00MOA10705020	ELECT CAP.	100UF 50V HCEA1HH101T
AMP	C620		nsp	00MOA10705020	ELECT CAP.	100UF 50V HCEA1HH101T
AMP	C621		nsp	00MOA10702520	ELECT CAP.	100UF 25V HCEA1EH101T
AMP	C622		nsp	00MOA10702520	ELECT CAP.	100UF 25V HCEA1EH101T
AMP	C701		nsp	00MOA10605020	ELECT CAP.	10UF 50V HCEA1HH100T
AMP	C703		nsp	nsp	CER. CAP.	330PF 50V KB CCKT1H331KB
AMP	C706		nsp	nsp	CER. CAP.	10PF 50V DC CCCT1H100DC
AMP	C707		90M-OF100350R	90M-OF100350R	FILM CAP	2200PF 50V J HCQ11H222JZT
AMP	C709		nsp	00MOA22605020	ELECT CAP.	22UF 50V HCEA1HH220T
AMP	C711		nsp	00MOA10710020	ELECT CAP.	100UF 100V HCEA2AH101E

NOTE : "nsp" PART IS LISTED FOR REFERENCE ONLY, MARANTZ WILL NOT SUPPLY THESE PARTS.

P.C.B. NAME	POS. NO.	VERS. COLOR	PART NO. (FOR EUR)	PART NO. (MJI)	PART NAME	DESCRIPTION
AMP	C713		nsp	00MOA10710020	ELECT CAP.	100UF 100V HCEA2AH101E
AMP	C719		nsp	00MOA10705020	ELECT CAP.	100UF 50V HCEA1HH101T
AMP	C721		nsp	00MOA10702520	ELECT CAP.	100UF 25V HCEA1EH101T
AMP	C722		nsp	00MOA10702520	ELECT CAP.	100UF 25V HCEA1EH101T
AMP	C801		nsp	00MOA47505020	ELECT CAP.	4.7UF 50V HCEA1HH4R7T
AMP	C802		nsp	nsp	CER. CAP.	0.01UF 50V ZF CCKT1H103ZF
AMP	C803		nsp	nsp	CER. CAP.	0.01UF 50V ZF CCKT1H103ZF
AMP	C804		nsp	00MOA47605020	ELECT CAP.	47UF 50V HCEA1HH470T
AMP	C805		nsp	00MOA47405020	ELECT CAP.	HCEA1HHR47T
AMP	C807		nsp	nsp	CER. CAP.	0.01UF 50V ZF CCKT1H103ZF
AMP	C808		nsp	nsp	CER. CAP.	0.01UF 50V ZF CCKT1H103ZF
AMP	C809		nsp	nsp	CER. CAP.	4700PF 50V KB CCKT1H472KB
AMP	C810		90M-OF100490R	90M-OF100490R	FILM CAP	0.1UF 250V KCME2E104JP04T
AMP	C811		90M-OF100490R	90M-OF100490R	FILM CAP	0.1UF 250V KCME2E104JP04T
AMP	CN41		nsp	nsp	JACK	CJP02GA01ZY
AMP	CN42		nsp	nsp	JACK	CJP02GA01ZY
AMP	CN51		nsp	nsp	JACK	CJP02GA01ZY
AMP	CN52		nsp	nsp	JACK	CJP02GA01ZY
AMP	CN61		nsp	nsp	JACK	CJP02GA01ZY
AMP	CN62		nsp	nsp	JACK	CJP02GA01ZY
AMP	CN71		nsp	nsp	JACK	CJP02GA01ZY
AMP	CN73		nsp	nsp	JACK	A3963WV2-6P CJP06GA148ZW
AMP	CN81		nsp	nsp	JACK	CJP02GA19ZY CJP02GA19ZY
AMP	CN82		nsp	nsp	JACK	CJP02GA19ZY CJP02GA19ZY
AMP	D401		nsp	00MHD20015210	DIODE	1SS133T-77 HVD1SS133MT
AMP	D402		nsp	00MHD20015210	DIODE	1SS133T-77 HVD1SS133MT
AMP	D403		nsp	00MHD20015210	DIODE	1SS133T-77 HVD1SS133MT
AMP	D404		nsp	00MHD20015210	DIODE	1SS133T-77 HVD1SS133MT
AMP	D405		nsp	00MHD20015210	DIODE	1SS133T-77 HVD1SS133MT
AMP	D406		nsp	00MHD20015210	DIODE	1SS133T-77 HVD1SS133MT
AMP	D407		nsp	00MHD20015210	DIODE	1SS133T-77 HVD1SS133MT
AMP	D408		nsp	00MHD20015210	DIODE	1SS133T-77 HVD1SS133MT
AMP	D409		90M-HD302240R	90M-HD302240R	ZENER DIODE	HVDMTZJ3.6BT
AMP	D410		90M-HD302240R	90M-HD302240R	ZENER DIODE	HVDMTZJ3.6BT
AMP	D411		90M-HD302240R	90M-HD302240R	ZENER DIODE	HVDMTZJ3.6BT
AMP	D412		90M-HD302240R	90M-HD302240R	ZENER DIODE	HVDMTZJ3.6BT
AMP	D413		nsp	00MHD20015210	DIODE	1SS133T-77 HVD1SS133MT
AMP	D414		nsp	00MHD20015210	DIODE	1SS133T-77 HVD1SS133MT
AMP	D415		nsp	00MHD20015210	DIODE	1SS133T-77 HVD1SS133MT
AMP	D416		nsp	00MHD20015210	DIODE	1SS133T-77 HVD1SS133MT
AMP	D501		nsp	00MHD20015210	DIODE	1SS133T-77 HVD1SS133MT
AMP	D502		nsp	00MHD20015210	DIODE	1SS133T-77 HVD1SS133MT
AMP	D503		nsp	00MHD20015210	DIODE	1SS133T-77 HVD1SS133MT
AMP	D504		nsp	00MHD20015210	DIODE	1SS133T-77 HVD1SS133MT
AMP	D505		nsp	00MHD20015210	DIODE	1SS133T-77 HVD1SS133MT
AMP	D506		nsp	00MHD20015210	DIODE	1SS133T-77 HVD1SS133MT
AMP	D507		nsp	00MHD20015210	DIODE	1SS133T-77 HVD1SS133MT
AMP	D508		nsp	00MHD20015210	DIODE	1SS133T-77 HVD1SS133MT
AMP	D509		90M-HD302240R	90M-HD302240R	ZENER DIODE	HVDMTZJ3.6BT
AMP	D510		90M-HD302240R	90M-HD302240R	ZENER DIODE	HVDMTZJ3.6BT
AMP	D511		90M-HD302240R	90M-HD302240R	ZENER DIODE	HVDMTZJ3.6BT
AMP	D512		90M-HD302240R	90M-HD302240R	ZENER DIODE	HVDMTZJ3.6BT
AMP	D513		nsp	00MHD20015210	DIODE	1SS133T-77 HVD1SS133MT
AMP	D514		nsp	00MHD20015210	DIODE	1SS133T-77 HVD1SS133MT
AMP	D515		nsp	00MHD20015210	DIODE	1SS133T-77 HVD1SS133MT
AMP	D516		nsp	00MHD20015210	DIODE	1SS133T-77 HVD1SS133MT
AMP	D601		nsp	00MHD20015210	DIODE	1SS133T-77 HVD1SS133MT
AMP	D602		nsp	00MHD20015210	DIODE	1SS133T-77 HVD1SS133MT
AMP	D603		nsp	00MHD20015210	DIODE	1SS133T-77 HVD1SS133MT
AMP	D604		nsp	00MHD20015210	DIODE	1SS133T-77 HVD1SS133MT
AMP	D605		nsp	00MHD20015210	DIODE	1SS133T-77 HVD1SS133MT
AMP	D606		nsp	00MHD20015210	DIODE	1SS133T-77 HVD1SS133MT
AMP	D607		nsp	00MHD20015210	DIODE	1SS133T-77 HVD1SS133MT
AMP	D608		nsp	00MHD20015210	DIODE	1SS133T-77 HVD1SS133MT
AMP	D609		90M-HD302240R	90M-HD302240R	ZENER DIODE	HVDMTZJ3.6BT
AMP	D610		90M-HD302240R	90M-HD302240R	ZENER DIODE	HVDMTZJ3.6BT

NOTE : "nsp" PART IS LISTED FOR REFERENCE ONLY, MARANTZ WILL NOT SUPPLY THESE PARTS.

P.C.B. NAME	POS. NO.	VERS. COLOR	PART NO. (FOR EUR)	PART NO. (MJI)	PART NAME	DESCRIPTION
AMP	D611		90M-HD302240R	90M-HD302240R	ZENER DIODE	HVDMTZJ3.6BT
AMP	D612		90M-HD302240R	90M-HD302240R	ZENER DIODE	HVDMTZJ3.6BT
AMP	D613		nsp	00MHD20015210	DIODE	1SS133T-77 HVD1SS133MT
AMP	D614		nsp	00MHD20015210	DIODE	1SS133T-77 HVD1SS133MT
AMP	D615		nsp	00MHD20015210	DIODE	1SS133T-77 HVD1SS133MT
AMP	D616		nsp	00MHD20015210	DIODE	1SS133T-77 HVD1SS133MT
AMP	D701		nsp	00MHD20015210	DIODE	1SS133T-77 HVD1SS133MT
AMP	D703		nsp	00MHD20015210	DIODE	1SS133T-77 HVD1SS133MT
AMP	D705		nsp	00MHD20015210	DIODE	1SS133T-77 HVD1SS133MT
AMP	D707		nsp	00MHD20015210	DIODE	1SS133T-77 HVD1SS133MT
AMP	D709		90M-HD302240R	90M-HD302240R	ZENER DIODE	HVDMTZJ3.6BT
AMP	D710		90M-HD302240R	90M-HD302240R	ZENER DIODE	HVDMTZJ3.6BT
AMP	D713		nsp	00MHD20015210	DIODE	1SS133T-77 HVD1SS133MT
AMP	D715		nsp	00MHD20015210	DIODE	1SS133T-77 HVD1SS133MT
AMP	D801		nsp	90M-HE200250R	DIODE	GBJ1504 HVDGBJ1504
AMP	D802		90M-HD301940R	90M-HD301940R	ZENER DIODE	3.3V 1/2W HVDMTZJ3.3BT
AMP	D803		90M-HD301940R	90M-HD301940R	ZENER DIODE	3.3V 1/2W HVDMTZJ3.3BT
AMP	IC41		00MHC10053090	00MHC10053090	IC	NJM2068DD HVINJM2068DD
AMP	IC51		00MHC10053090	00MHC10053090	IC	NJM2068DD HVINJM2068DD
AMP	IC61		00MHC10053090	00MHC10053090	IC	NJM2068DD HVINJM2068DD
AMP	IC61		90M-HC300690R	90M-HC300690R	IC REG	KIA278R05PI HVIKIA278R05PI
AMP	IC62		90M-HC300690R	90M-HC300690R	IC REG	KIA278R05PI HVIKIA278R05PI
AMP	IC63		90M-HC300480R	90M-HC300480R	IC REG	KA7815-ABTU HVIMC7815C
AMP	IC64		00MHC3991509F	00MHC3991509F	IC REG	NJM7915FA HVINJM7915FA
AMP	IC71		00MHC10053090	00MHC10053090	IC	NJM2068DD HVINJM2068DD
AMP	IC81		00MHC10042050	00MHC10042050	IC	HVITA7317P
AMP	J201		nsp	nsp	CONN. CORD	SN95/PB5 , 0.6 C3A206
AMP	J202		nsp	nsp	CONN. CORD	SN95/PB5 , 0.6 C3A206
AMP	J203		nsp	nsp	CONN. CORD	SN95/PB5 , 0.6 C3A206
AMP	J204		nsp	nsp	CONN. CORD	SN95/PB5 , 0.6 C3A206
AMP	J205		nsp	nsp	CONN. CORD	SN95/PB5 , 0.6 C3A206
AMP	J206		nsp	nsp	CONN. CORD	SN95/PB5 , 0.6 C3A206
AMP	J207		nsp	nsp	CONN. CORD	SN95/PB5 , 0.6 C3A206
AMP	J208		nsp	nsp	CONN. CORD	SN95/PB5 , 0.6 C3A206
AMP	J209		nsp	nsp	CONN. CORD	SN95/PB5 , 0.6 C3A206
AMP	J210		nsp	nsp	CONN. CORD	SN95/PB5 , 0.6 C3A206
AMP	J211		nsp	nsp	CONN. CORD	SN95/PB5 , 0.6 C3A206
AMP	J212		nsp	nsp	CONN. CORD	SN95/PB5 , 0.6 C3A206
AMP	J213		nsp	nsp	CONN. CORD	SN95/PB5 , 0.6 C3A206
AMP	J214		nsp	nsp	CONN. CORD	SN95/PB5 , 0.6 C3A206
AMP	J215		nsp	nsp	CONN. CORD	SN95/PB5 , 0.6 C3A206
AMP	J216		nsp	nsp	CONN. CORD	SN95/PB5 , 0.6 C3A206
AMP	J217		nsp	nsp	CONN. CORD	SN95/PB5 , 0.6 C3A206
AMP	J218		nsp	nsp	CONN. CORD	SN95/PB5 , 0.6 C3A206
AMP	J219		nsp	nsp	CONN. CORD	SN95/PB5 , 0.6 C3A206
AMP	J220		nsp	nsp	CONN. CORD	SN95/PB5 , 0.6 C3A206
AMP	J221		nsp	nsp	CONN. CORD	SN95/PB5 , 0.6 C3A206
AMP	J222		nsp	nsp	CONN. CORD	SN95/PB5 , 0.6 C3A206
AMP	J223		nsp	nsp	CONN. CORD	SN95/PB5 , 0.6 C3A206
AMP	J224		nsp	nsp	CONN. CORD	SN95/PB5 , 0.6 C3A206
AMP	J225		nsp	nsp	CONN. CORD	SN95/PB5 , 0.6 C3A206
AMP	J226		nsp	nsp	CONN. CORD	SN95/PB5 , 0.6 C3A206
AMP	J227		nsp	nsp	CONN. CORD	SN95/PB5 , 0.6 C3A206
AMP	J228		nsp	nsp	CONN. CORD	SN95/PB5 , 0.6 C3A206
AMP	J229		nsp	nsp	CONN. CORD	SN95/PB5 , 0.6 C3A206
AMP	J230		nsp	nsp	CONN. CORD	SN95/PB5 , 0.6 C3A206
AMP	J231		nsp	nsp	CONN. CORD	SN95/PB5 , 0.6 C3A206
AMP	J232		nsp	nsp	CONN. CORD	SN95/PB5 , 0.6 C3A206
AMP	J233		nsp	nsp	CONN. CORD	SN95/PB5 , 0.6 C3A206
AMP	J234		nsp	nsp	CONN. CORD	SN95/PB5 , 0.6 C3A206
AMP	J235		nsp	nsp	CONN. CORD	SN95/PB5 , 0.6 C3A206
AMP	J236		nsp	nsp	CONN. CORD	SN95/PB5 , 0.6 C3A206
AMP	J237		nsp	nsp	CONN. CORD	SN95/PB5 , 0.6 C3A206
AMP	J238		nsp	nsp	CONN. CORD	SN95/PB5 , 0.6 C3A206
AMP	J239		nsp	nsp	CONN. CORD	SN95/PB5 , 0.6 C3A206
AMP	J240		nsp	nsp	CONN. CORD	SN95/PB5 , 0.6 C3A206

NOTE : "nsp" PART IS LISTED FOR REFERENCE ONLY, MARANTZ WILL NOT SUPPLY THESE PARTS.

P.C.B. NAME	POS. NO.	VERS. COLOR	PART NO. (FOR EUR)	PART NO. (MJI)	PART NAME	DESCRIPTION
AMP	J241		nsp	nsp	CONN. CORD	SN95/PB5 , 0.6 C3A206
AMP	J242		nsp	nsp	CONN. CORD	SN95/PB5 , 0.6 C3A206
AMP	J243		nsp	nsp	CONN. CORD	SN95/PB5 , 0.6 C3A206
AMP	J244		nsp	nsp	CONN. CORD	SN95/PB5 , 0.6 C3A206
AMP	J245		nsp	nsp	CONN. CORD	SN95/PB5 , 0.6 C3A206
AMP	J246		nsp	nsp	CONN. CORD	SN95/PB5 , 0.6 C3A206
AMP	J247		nsp	nsp	CONN. CORD	SN95/PB5 , 0.6 C3A206
AMP	J248		nsp	nsp	CONN. CORD	SN95/PB5 , 0.6 C3A206
AMP	J249		nsp	nsp	CONN. CORD	SN95/PB5 , 0.6 C3A206
AMP	J250		nsp	nsp	CONN. CORD	SN95/PB5 , 0.6 C3A206
AMP	J251		nsp	nsp	CONN. CORD	SN95/PB5 , 0.6 C3A206
AMP	J252		nsp	nsp	CONN. CORD	SN95/PB5 , 0.6 C3A206
AMP	J253		nsp	nsp	CONN. CORD	SN95/PB5 , 0.6 C3A206
AMP	J254		nsp	nsp	CONN. CORD	SN95/PB5 , 0.6 C3A206
AMP	J255		nsp	nsp	CONN. CORD	SN95/PB5 , 0.6 C3A206
AMP	J256		nsp	nsp	CONN. CORD	SN95/PB5 , 0.6 C3A206
AMP	J257		nsp	nsp	CONN. CORD	SN95/PB5 , 0.6 C3A206
AMP	J258		nsp	nsp	CONN. CORD	SN95/PB5 , 0.6 C3A206
AMP	J259		nsp	nsp	CONN. CORD	SN95/PB5 , 0.6 C3A206
AMP	J260		nsp	nsp	CONN. CORD	SN95/PB5 , 0.6 C3A206
AMP	J261		nsp	nsp	CONN. CORD	SN95/PB5 , 0.6 C3A206
AMP	J262		nsp	nsp	CONN. CORD	SN95/PB5 , 0.6 C3A206
AMP	J263		nsp	nsp	CONN. CORD	SN95/PB5 , 0.6 C3A206
AMP	J264		nsp	nsp	CONN. CORD	SN95/PB5 , 0.6 C3A206
AMP	J265		nsp	nsp	CONN. CORD	SN95/PB5 , 0.6 C3A206
AMP	J266		nsp	nsp	CONN. CORD	SN95/PB5 , 0.6 C3A206
AMP	J267		nsp	nsp	CONN. CORD	SN95/PB5 , 0.6 C3A206
AMP	J268		nsp	nsp	CONN. CORD	SN95/PB5 , 0.6 C3A206
AMP	J269		nsp	nsp	CONN. CORD	SN95/PB5 , 0.6 C3A206
AMP	J270		nsp	nsp	CONN. CORD	SN95/PB5 , 0.6 C3A206
AMP	J271		nsp	nsp	CONN. CORD	SN95/PB5 , 0.6 C3A206
AMP	J272		nsp	nsp	CONN. CORD	SN95/PB5 , 0.6 C3A206
AMP	J273		nsp	nsp	CONN. CORD	SN95/PB5 , 0.6 C3A206
AMP	J274		nsp	nsp	CONN. CORD	SN95/PB5 , 0.6 C3A206
AMP	J275		nsp	nsp	CONN. CORD	SN95/PB5 , 0.6 C3A206
AMP	J276		nsp	nsp	CONN. CORD	SN95/PB5 , 0.6 C3A206
AMP	J277		nsp	nsp	CONN. CORD	SN95/PB5 , 0.6 C3A206
AMP	J278		nsp	nsp	CONN. CORD	SN95/PB5 , 0.6 C3A206
AMP	J279		nsp	nsp	CONN. CORD	SN95/PB5 , 0.6 C3A206
AMP	J280		nsp	nsp	CONN. CORD	SN95/PB5 , 0.6 C3A206
AMP	J281		nsp	nsp	CONN. CORD	SN95/PB5 , 0.6 C3A206
AMP	J283		nsp	nsp	CONN. CORD	SN95/PB5 , 0.6 C3A206
AMP	J285		nsp	nsp	CONN. CORD	SN95/PB5 , 0.6 C3A206
AMP	J286		nsp	nsp	CONN. CORD	SN95/PB5 , 0.6 C3A206
AMP	J287		nsp	nsp	CONN. CORD	SN95/PB5 , 0.6 C3A206
AMP	J294		nsp	nsp	CONN. CORD	SN95/PB5 , 0.6 C3A206
AMP	J295		nsp	nsp	CONN. CORD	SN95/PB5 , 0.6 C3A206
AMP	J297		nsp	nsp	CONN. CORD	SN95/PB5 , 0.6 C3A206
AMP	J302		nsp	nsp	CONN. CORD	SN95/PB5 , 0.6 C3A206
AMP	J305		nsp	nsp	CONN. CORD	SN95/PB5 , 0.6 C3A206
AMP	J308		nsp	nsp	CONN. CORD	SN95/PB5 , 0.6 C3A206
AMP	J309		nsp	nsp	CONN. CORD	SN95/PB5 , 0.6 C3A206
AMP	J310		nsp	nsp	CONN. CORD	SN95/PB5 , 0.6 C3A206
AMP	J311		nsp	nsp	CONN. CORD	SN95/PB5 , 0.6 C3A206
AMP	J312		nsp	nsp	CONN. CORD	SN95/PB5 , 0.6 C3A206
AMP	J313		nsp	nsp	CONN. CORD	SN95/PB5 , 0.6 C3A206
AMP	J315		nsp	nsp	CONN. CORD	SN95/PB5 , 0.6 C3A206
AMP	J316		nsp	nsp	CONN. CORD	SN95/PB5 , 0.6 C3A206
AMP	J317		nsp	nsp	CONN. CORD	SN95/PB5 , 0.6 C3A206
AMP	J318		nsp	nsp	CONN. CORD	SN95/PB5 , 0.6 C3A206
AMP	J319		nsp	nsp	CONN. CORD	SN95/PB5 , 0.6 C3A206
AMP	J320		nsp	nsp	CONN. CORD	SN95/PB5 , 0.6 C3A206
AMP	J321		nsp	nsp	CONN. CORD	SN95/PB5 , 0.6 C3A206
AMP	J323		nsp	nsp	CONN. CORD	SN95/PB5 , 0.6 C3A206
AMP	J324		nsp	nsp	CONN. CORD	SN95/PB5 , 0.6 C3A206
AMP	J325		nsp	nsp	CONN. CORD	SN95/PB5 , 0.6 C3A206

NOTE : "nsp" PART IS LISTED FOR REFERENCE ONLY, MARANTZ WILL NOT SUPPLY THESE PARTS.

P.C.B. NAME	POS. NO.	VERS. COLOR	PART NO. (FOR EUR)	PART NO. (MJI)	PART NAME	DESCRIPTION
AMP	J326		nsp	nsp	CONN. CORD	SN95/PB5 , 0.6 C3A206
AMP	J327		nsp	nsp	CONN. CORD	SN95/PB5 , 0.6 C3A206
AMP	J328		nsp	nsp	CONN. CORD	SN95/PB5 , 0.6 C3A206
AMP	J329		nsp	nsp	CONN. CORD	SN95/PB5 , 0.6 C3A206
AMP	J330		nsp	nsp	CONN. CORD	SN95/PB5 , 0.6 C3A206
AMP	J331		nsp	nsp	CONN. CORD	SN95/PB5 , 0.6 C3A206
AMP	J332		nsp	nsp	CONN. CORD	SN95/PB5 , 0.6 C3A206
AMP	J333		nsp	nsp	CONN. CORD	SN95/PB5 , 0.6 C3A206
AMP	J334		nsp	nsp	CONN. CORD	SN95/PB5 , 0.6 C3A206
AMP	J335		nsp	nsp	CONN. CORD	SN95/PB5 , 0.6 C3A206
AMP	J336		nsp	nsp	CONN. CORD	SN95/PB5 , 0.6 C3A206
AMP	J337		nsp	nsp	CONN. CORD	SN95/PB5 , 0.6 C3A206
AMP	J338		nsp	nsp	CONN. CORD	SN95/PB5 , 0.6 C3A206
AMP	J339		nsp	nsp	CONN. CORD	SN95/PB5 , 0.6 C3A206
AMP	J340		nsp	nsp	CONN. CORD	SN95/PB5 , 0.6 C3A206
AMP	J341		nsp	nsp	CONN. CORD	SN95/PB5 , 0.6 C3A206
AMP	J342		nsp	nsp	CONN. CORD	SN95/PB5 , 0.6 C3A206
AMP	J343		nsp	nsp	CONN. CORD	SN95/PB5 , 0.6 C3A206
AMP	J344		nsp	nsp	CONN. CORD	SN95/PB5 , 0.6 C3A206
AMP	J345		nsp	nsp	CONN. CORD	SN95/PB5 , 0.6 C3A206
AMP	Q403		90M-HT600020R	90M-HT600020R	TRS.	KTA1268GR HVTKTA1268GRT
AMP	Q404		90M-HT600020R	90M-HT600020R	TRS.	KTA1268GR HVTKTA1268GRT
AMP	Q405		90M-HT800060R	90M-HT800060R	TRS.	KTC3200GR HVTKTC3200GRT
AMP	Q406		90M-HT800060R	90M-HT800060R	TRS.	KTC3200GR HVTKTC3200GRT
AMP	Q407		90M-HT600020R	90M-HT600020R	TRS.	KTA1268GR HVTKTA1268GRT
AMP	Q408		90M-HT600020R	90M-HT600020R	TRS.	KTA1268GR HVTKTA1268GRT
AMP	Q409		90M-HT600020R	90M-HT600020R	TRS.	KTA1268GR HVTKTA1268GRT
AMP	Q410		90M-HT600020R	90M-HT600020R	TRS.	KTA1268GR HVTKTA1268GRT
AMP	Q411		90M-HT800060R	90M-HT800060R	TRS.	KTC3200GR HVTKTC3200GRT
AMP	Q412		90M-HT800060R	90M-HT800060R	TRS.	KTC3200GR HVTKTC3200GRT
AMP	Q413		90M-HT800060R	90M-HT800060R	TRS.	KTC3200GR HVTKTC3200GRT
AMP	Q414		90M-HT800060R	90M-HT800060R	TRS.	KTC3200GR HVTKTC3200GRT
AMP	Q415		90M-HT600030R	90M-HT600030R	TRS.	HVTKTA1024YT
AMP	Q416		90M-HT600030R	90M-HT600030R	TRS.	HVTKTA1024YT
AMP	Q417		90M-HT800090R	90M-HT800090R	TRS.	HVTKTC3206YAT
AMP	Q418		90M-HT800090R	90M-HT800090R	TRS.	HVTKTC3206YAT
AMP	▲ Q419		00MHC20002080	00MHC20002080	IC	SAP17NLFNO.552 BVISAP17N
AMP	▲ Q420		00MHC20002080	00MHC20002080	IC	SAP17NLFNO.552 BVISAP17N
AMP	▲ Q421		00MHC20001080	00MHC20001080	IC	SAP17PLFNO.552 BVISAP17P
AMP	▲ Q422		00MHC20001080	00MHC20001080	IC	SAP17PLFNO.552 BVISAP17P
AMP	Q423		90M-HT800060R	90M-HT800060R	TRS.	KTC3200GR HVTKTC3200GRT
AMP	Q424		90M-HT800060R	90M-HT800060R	TRS.	KTC3200GR HVTKTC3200GRT
AMP	Q503		90M-HT600020R	90M-HT600020R	TRS.	KTA1268GR HVTKTA1268GRT
AMP	Q504		90M-HT600020R	90M-HT600020R	TRS.	KTA1268GR HVTKTA1268GRT
AMP	Q505		90M-HT800060R	90M-HT800060R	TRS.	KTC3200GR HVTKTC3200GRT
AMP	Q506		90M-HT800060R	90M-HT800060R	TRS.	KTC3200GR HVTKTC3200GRT
AMP	Q507		90M-HT600020R	90M-HT600020R	TRS.	KTA1268GR HVTKTA1268GRT
AMP	Q508		90M-HT600020R	90M-HT600020R	TRS.	KTA1268GR HVTKTA1268GRT
AMP	Q509		90M-HT600020R	90M-HT600020R	TRS.	KTA1268GR HVTKTA1268GRT
AMP	Q510		90M-HT600020R	90M-HT600020R	TRS.	KTA1268GR HVTKTA1268GRT
AMP	Q511		90M-HT800060R	90M-HT800060R	TRS.	KTC3200GR HVTKTC3200GRT
AMP	Q512		90M-HT800060R	90M-HT800060R	TRS.	KTC3200GR HVTKTC3200GRT
AMP	Q513		90M-HT800060R	90M-HT800060R	TRS.	KTC3200GR HVTKTC3200GRT
AMP	Q514		90M-HT800060R	90M-HT800060R	TRS.	KTC3200GR HVTKTC3200GRT
AMP	Q515		90M-HT600030R	90M-HT600030R	TRS.	HVTKTA1024YT
AMP	Q516		90M-HT600030R	90M-HT600030R	TRS.	HVTKTA1024YT
AMP	Q517		90M-HT800090R	90M-HT800090R	TRS.	HVTKTC3206YAT
AMP	Q518		90M-HT800090R	90M-HT800090R	TRS.	HVTKTC3206YAT
AMP	▲ Q519		00MHC20002080	00MHC20002080	IC	SAP17NLFNO.552 BVISAP17N
AMP	▲ Q520		00MHC20002080	00MHC20002080	IC	SAP17NLFNO.552 BVISAP17N
AMP	▲ Q521		00MHC20001080	00MHC20001080	IC	SAP17PLFNO.552 BVISAP17P
AMP	▲ Q522		00MHC20001080	00MHC20001080	IC	SAP17PLFNO.552 BVISAP17P
AMP	Q523		90M-HT800060R	90M-HT800060R	TRS.	KTC3200GR HVTKTC3200GRT
AMP	Q524		90M-HT800060R	90M-HT800060R	TRS.	KTC3200GR HVTKTC3200GRT
AMP	Q603		90M-HT600020R	90M-HT600020R	TRS.	KTA1268GR HVTKTA1268GRT
AMP	Q604		90M-HT600020R	90M-HT600020R	TRS.	KTA1268GR HVTKTA1268GRT

NOTE : "nsp" PART IS LISTED FOR REFERENCE ONLY, MARANTZ WILL NOT SUPPLY THESE PARTS.

P.C.B. NAME	POS. NO.	VERS. COLOR	PART NO. (FOR EUR)	PART NO. (MJI)	PART NAME	DESCRIPTION
AMP	Q605		90M-HT800060R	90M-HT800060R	TRS.	KTC3200GR HVTKTC3200GRT
AMP	Q606		90M-HT800060R	90M-HT800060R	TRS.	KTC3200GR HVTKTC3200GRT
AMP	Q607		90M-HT600020R	90M-HT600020R	TRS.	KTA1268GR HVTKTA1268GRT
AMP	Q608		90M-HT600020R	90M-HT600020R	TRS.	KTA1268GR HVTKTA1268GRT
AMP	Q609		90M-HT600020R	90M-HT600020R	TRS.	KTA1268GR HVTKTA1268GRT
AMP	Q610		90M-HT600020R	90M-HT600020R	TRS.	KTA1268GR HVTKTA1268GRT
AMP	Q611		90M-HT800060R	90M-HT800060R	TRS.	KTC3200GR HVTKTC3200GRT
AMP	Q612		90M-HT800060R	90M-HT800060R	TRS.	KTC3200GR HVTKTC3200GRT
AMP	Q613		90M-HT800060R	90M-HT800060R	TRS.	KTC3200GR HVTKTC3200GRT
AMP	Q614		90M-HT800060R	90M-HT800060R	TRS.	KTC3200GR HVTKTC3200GRT
AMP	Q615		90M-HT600030R	90M-HT600030R	TRS.	HVTKTA1024YT
AMP	Q616		90M-HT600030R	90M-HT600030R	TRS.	HVTKTA1024YT
AMP	Q617		90M-HT800090R	90M-HT800090R	TRS.	HVTKTC3206YAT
AMP	Q618		90M-HT800090R	90M-HT800090R	TRS.	HVTKTC3206YAT
AMP	▲ Q619		00MHC20002080	00MHC20002080	IC	SAP17NLFNO.552 BVISAP17N
AMP	▲ Q620		00MHC20002080	00MHC20002080	IC	SAP17NLFNO.552 BVISAP17N
AMP	▲ Q621		00MHC20001080	00MHC20001080	IC	SAP17PLFNO.552 BVISAP17P
AMP	▲ Q622		00MHC20001080	00MHC20001080	IC	SAP17PLFNO.552 BVISAP17P
AMP	Q623		90M-HT800060R	90M-HT800060R	TRS.	KTC3200GR HVTKTC3200GRT
AMP	Q624		90M-HT800060R	90M-HT800060R	TRS.	KTC3200GR HVTKTC3200GRT
AMP	Q703		90M-HT600020R	90M-HT600020R	TRS.	KTA1268GR HVTKTA1268GRT
AMP	Q705		90M-HT800060R	90M-HT800060R	TRS.	KTC3200GR HVTKTC3200GRT
AMP	Q707		90M-HT600020R	90M-HT600020R	TRS.	KTA1268GR HVTKTA1268GRT
AMP	Q709		90M-HT600020R	90M-HT600020R	TRS.	KTA1268GR HVTKTA1268GRT
AMP	Q711		90M-HT800060R	90M-HT800060R	TRS.	KTC3200GR HVTKTC3200GRT
AMP	Q713		90M-HT800060R	90M-HT800060R	TRS.	KTC3200GR HVTKTC3200GRT
AMP	Q715		90M-HT600030R	90M-HT600030R	TRS.	HVTKTA1024YT
AMP	Q717		90M-HT800090R	90M-HT800090R	TRS.	HVTKTC3206YAT
AMP	▲ Q719		00MHC20002080	00MHC20002080	IC	SAP17NLFNO.552 BVISAP17N
AMP	▲ Q721		00MHC20001080	00MHC20001080	IC	SAP17PLFNO.552 BVISAP17P
AMP	Q723		90M-HT800060R	90M-HT800060R	TRS.	KTC3200GR HVTKTC3200GRT
AMP	Q801		90M-HT600020R	90M-HT600020R	TRS.	KTA1268GR HVTKTA1268GRT
AMP	Q803		90M-HT800050R	90M-HT800050R	TRS.	HVTKTC3198YT
AMP	Q804		00MBA20001000	00MBA20001000	TRS.	KRC102M HVTKRC102MT
AMP	R401		nsp	nsp	RES.	33K OHM 1/5W J CRD20TJ333T
AMP	R402		nsp	nsp	RES.	33K OHM 1/5W J CRD20TJ333T
AMP	R403		nsp	nsp	RES.	1K OHM 1/5W J CRD20TJ102T
AMP	R404		nsp	nsp	RES.	1K OHM 1/5W J CRD20TJ102T
AMP	R405		nsp	nsp	RES.	100 OHM 1/5W J CRD20TJ101T
AMP	R406		nsp	nsp	RES.	100 OHM 1/5W J CRD20TJ101T
AMP	R407		nsp	nsp	RES.	12K OHM 1/5W J CRD20TJ123T
AMP	R408		nsp	nsp	RES.	12K OHM 1/5W J CRD20TJ123T
AMP	R409		nsp	nsp	RES.	12K OHM 1/5W J CRD20TJ123T
AMP	R410		nsp	nsp	RES.	12K OHM 1/5W J CRD20TJ123T
AMP	R411		nsp	nsp	RES.	470 OHM 1/5W J CRD20TJ471T
AMP	R412		nsp	nsp	RES.	470 OHM 1/5W J CRD20TJ471T
AMP	R413		nsp	nsp	RES.	470 OHM 1/5W J CRD20TJ471T
AMP	R414		nsp	nsp	RES.	470 OHM 1/5W J CRD20TJ471T
AMP	R415		nsp	nsp	RES.	68 OHM 1/5W J CRD20TJ680T
AMP	R416		nsp	nsp	RES.	68 OHM 1/5W J CRD20TJ680T
AMP	R417		nsp	nsp	RES.	68 OHM 1/5W J CRD20TJ680T
AMP	R418		nsp	nsp	RES.	68 OHM 1/5W J CRD20TJ680T
AMP	R419		90M-NB000010R	90M-NB000010R	RES.	LT20001/6S J HRT16C1512000JT
AMP	R420		90M-NB000010R	90M-NB000010R	RES.	LT20001/6S J HRT16C1512000JT
AMP	R421		90M-NB000010R	90M-NB000010R	RES.	LT20001/6S J HRT16C1512000JT
AMP	R422		90M-NB000010R	90M-NB000010R	RES.	LT20001/6S J HRT16C1512000JT
AMP	R423		nsp	nsp	RES.	330K OHM 1/5W CRD20TJ334T
AMP	R424		nsp	nsp	RES.	330K OHM 1/5W CRD20TJ334T
AMP	R425		nsp	nsp	RES.	330K OHM 1/5W CRD20TJ334T
AMP	R426		nsp	nsp	RES.	330K OHM 1/5W CRD20TJ334T
AMP	R427		nsp	nsp	RES.	100 OHM 1/5W J CRD20TJ101T
AMP	R428		nsp	nsp	RES.	100 OHM 1/5W J CRD20TJ101T
AMP	R429		nsp	nsp	RES.	100 OHM 1/5W J CRD20TJ101T
AMP	R430		nsp	nsp	RES.	100 OHM 1/5W J CRD20TJ101T
AMP	R431		nsp	nsp	RES.	CRD25TJ100T
AMP	R432		nsp	nsp	RES.	CRD25TJ100T

NOTE : "nsp" PART IS LISTED FOR REFERENCE ONLY, MARANTZ WILL NOT SUPPLY THESE PARTS.



P.C.B. NAME	POS. NO.	VERS. COLOR	PART NO. (FOR EUR)	PART NO. (MJI)	PART NAME	DESCRIPTION
AMP	R433		nsp	nsp	RES.	CRD25TJ100T
AMP	R434		nsp	nsp	RES.	CRD25TJ100T
AMP	R435		nsp	nsp	RES.	27 OHM 1/5W J CRD20TJ270T
AMP	R436		nsp	nsp	RES.	27 OHM 1/5W J CRD20TJ270T
AMP	R439		nsp	nsp	RES.	120 OHM 1W J KRG1SANJ121RT
AMP	R440		nsp	nsp	RES.	120 OHM 1W J KRG1SANJ121RT
AMP	R441		nsp	nsp	RES.	120 OHM 1W J KRG1SANJ121RT
AMP	R442		nsp	nsp	RES.	120 OHM 1W J KRG1SANJ121RT
AMP	R443		nsp	nsp	RES.	120 OHM 1W J KRG1SANJ121RT
AMP	R444		nsp	nsp	RES.	120 OHM 1W J KRG1SANJ121RT
AMP	R445		nsp	nsp	RES.	47 OHM 1W J KRG1SANJ470RT
AMP	R446		nsp	nsp	RES.	47 OHM 1W J KRG1SANJ470RT
AMP	R449		nsp	nsp	RES.	15 OHM 1/5W J CRD20TJ150T
AMP	R450		nsp	nsp	RES.	15 OHM 1/5W J CRD20TJ150T
AMP	R451		nsp	nsp	RES.	10 OHM 1/5W J CRD20TJ100T
AMP	R452		nsp	nsp	RES.	10 OHM 1/5W J CRD20TJ100T
AMP	R453		nsp	nsp	RES.	1K OHM 1/5W J CRD20TJ102T
AMP	R454		nsp	nsp	RES.	1K OHM 1/5W J CRD20TJ102T
AMP	R455		nsp	nsp	RES.	1K OHM 1/5W J CRD20TJ102T
AMP	R456		nsp	nsp	RES.	1K OHM 1/5W J CRD20TJ102T
AMP	R457		nsp	nsp	RES.	680 OHM 1/5W J CRD20TJ681T
AMP	R458		nsp	nsp	RES.	680 OHM 1/5W J CRD20TJ681T
AMP	R459		nsp	nsp	RES.	39K OHM 1/5W CRD20TJ393T
AMP	R460		nsp	nsp	RES.	39K OHM 1/5W CRD20TJ393T
AMP	R461		nsp	nsp	RES.	39K OHM 1/5W CRD20TJ393T
AMP	R462		nsp	nsp	RES.	39K OHM 1/5W CRD20TJ393T
AMP	R463		nsp	nsp	RES.	22K OHM 1/5W J CRD20TJ223T
AMP	R464		nsp	nsp	RES.	22K OHM 1/5W J CRD20TJ223T
AMP	R465		nsp	nsp	RES.	680 OHM 1/5W J CRD20TJ681T
AMP	R466		nsp	nsp	RES.	680 OHM 1/5W J CRD20TJ681T
AMP	R467		nsp	nsp	RES.	33K OHM 1/5W J CRD20TJ333T
AMP	R468		nsp	nsp	RES.	33K OHM 1/5W J CRD20TJ333T
AMP	R469		nsp	nsp	RES.	22K OHM 1/5W J CRD20TJ223T
AMP	R470		nsp	nsp	RES.	22K OHM 1/5W J CRD20TJ223T
AMP	R471		nsp	nsp	RES.	120 OHM 1/5W J CRD20TJ121T
AMP	R472		nsp	nsp	RES.	120 OHM 1/5W J CRD20TJ121T
AMP	R473		nsp	nsp	RES.	120 OHM 1/5W J CRD20TJ121T
AMP	R474		nsp	nsp	RES.	120 OHM 1/5W J CRD20TJ121T
AMP	R501		nsp	nsp	RES.	33K OHM 1/5W J CRD20TJ333T
AMP	R502		nsp	nsp	RES.	33K OHM 1/5W J CRD20TJ333T
AMP	R503		nsp	nsp	RES.	1K OHM 1/5W J CRD20TJ102T
AMP	R504		nsp	nsp	RES.	1K OHM 1/5W J CRD20TJ102T
AMP	R505		nsp	nsp	RES.	100 OHM 1/5W J CRD20TJ101T
AMP	R506		nsp	nsp	RES.	100 OHM 1/5W J CRD20TJ101T
AMP	R507		nsp	nsp	RES.	12K OHM 1/5W J CRD20TJ123T
AMP	R508		nsp	nsp	RES.	12K OHM 1/5W J CRD20TJ123T
AMP	R509		nsp	nsp	RES.	12K OHM 1/5W J CRD20TJ123T
AMP	R510		nsp	nsp	RES.	12K OHM 1/5W J CRD20TJ123T
AMP	R511		nsp	nsp	RES.	470 OHM 1/5W J CRD20TJ471T
AMP	R512		nsp	nsp	RES.	470 OHM 1/5W J CRD20TJ471T
AMP	R513		nsp	nsp	RES.	470 OHM 1/5W J CRD20TJ471T
AMP	R514		nsp	nsp	RES.	470 OHM 1/5W J CRD20TJ471T
AMP	R515		nsp	nsp	RES.	68 OHM 1/5W J CRD20TJ680T
AMP	R516		nsp	nsp	RES.	68 OHM 1/5W J CRD20TJ680T
AMP	R517		nsp	nsp	RES.	68 OHM 1/5W J CRD20TJ680T
AMP	R518		nsp	nsp	RES.	68 OHM 1/5W J CRD20TJ680T
AMP	R519		90M-NB000010R	90M-NB000010R	RES.	LT20001/6S J HRT16C1512000JT
AMP	R520		90M-NB000010R	90M-NB000010R	RES.	LT20001/6S J HRT16C1512000JT
AMP	R521		90M-NB000010R	90M-NB000010R	RES.	LT20001/6S J HRT16C1512000JT
AMP	R522		90M-NB000010R	90M-NB000010R	RES.	LT20001/6S J HRT16C1512000JT
AMP	R523		nsp	nsp	RES.	330K OHM 1/5W CRD20TJ334T
AMP	R524		nsp	nsp	RES.	330K OHM 1/5W CRD20TJ334T
AMP	R525		nsp	nsp	RES.	330K OHM 1/5W CRD20TJ334T
AMP	R526		nsp	nsp	RES.	330K OHM 1/5W CRD20TJ334T
AMP	R527		nsp	nsp	RES.	100 OHM 1/5W J CRD20TJ101T
AMP	R528		nsp	nsp	RES.	100 OHM 1/5W J CRD20TJ101T

NOTE : "nsp" PART IS LISTED FOR REFERENCE ONLY, MARANTZ WILL NOT SUPPLY THESE PARTS.

P.C.B. NAME	POS. NO.	VERS. COLOR	PART NO. (FOR EUR)	PART NO. (MJI)	PART NAME	DESCRIPTION
AMP	R529		nsp	nsp	RES.	100 OHM 1/5W J CRD20TJ101T
AMP	R530		nsp	nsp	RES.	100 OHM 1/5W J CRD20TJ101T
AMP	R531		nsp	nsp	RES.	CRD25TJ100T
AMP	R532		nsp	nsp	RES.	CRD25TJ100T
AMP	R533		nsp	nsp	RES.	CRD25TJ100T
AMP	R534		nsp	nsp	RES.	CRD25TJ100T
AMP	R535		nsp	nsp	RES.	27 OHM 1/5W J CRD20TJ270T
AMP	R536		nsp	nsp	RES.	27 OHM 1/5W J CRD20TJ270T
AMP	R539		nsp	nsp	RES.	120 OHM 1W J KRG1SANJ121RT
AMP	R540		nsp	nsp	RES.	120 OHM 1W J KRG1SANJ121RT
AMP	R541		nsp	nsp	RES.	120 OHM 1W J KRG1SANJ121RT
AMP	R542		nsp	nsp	RES.	120 OHM 1W J KRG1SANJ121RT
AMP	R543		nsp	nsp	RES.	120 OHM 1W J KRG1SANJ121RT
AMP	R544		nsp	nsp	RES.	120 OHM 1W J KRG1SANJ121RT
AMP	R545		nsp	nsp	RES.	47 OHM 1W J KRG1SANJ470RT
AMP	R546		nsp	nsp	RES.	47 OHM 1W J KRG1SANJ470RT
AMP	R549		nsp	nsp	RES.	15 OHM 1/5W J CRD20TJ150T
AMP	R550		nsp	nsp	RES.	15 OHM 1/5W J CRD20TJ150T
AMP	R551		nsp	nsp	RES.	10 OHM 1/5W J CRD20TJ100T
AMP	R552		nsp	nsp	RES.	10 OHM 1/5W J CRD20TJ100T
AMP	R553		nsp	nsp	RES.	1K OHM 1/5W J CRD20TJ102T
AMP	R554		nsp	nsp	RES.	1K OHM 1/5W J CRD20TJ102T
AMP	R555		nsp	nsp	RES.	1K OHM 1/5W J CRD20TJ102T
AMP	R556		nsp	nsp	RES.	1K OHM 1/5W J CRD20TJ102T
AMP	R557		nsp	nsp	RES.	680 OHM 1/5W J CRD20TJ681T
AMP	R558		nsp	nsp	RES.	680 OHM 1/5W J CRD20TJ681T
AMP	R559		nsp	nsp	RES.	39K OHM 1/5W CRD20TJ393T
AMP	R560		nsp	nsp	RES.	39K OHM 1/5W CRD20TJ393T
AMP	R561		nsp	nsp	RES.	39K OHM 1/5W CRD20TJ393T
AMP	R562		nsp	nsp	RES.	39K OHM 1/5W CRD20TJ393T
AMP	R563		nsp	nsp	RES.	22K OHM 1/5W J CRD20TJ223T
AMP	R564		nsp	nsp	RES.	22K OHM 1/5W J CRD20TJ223T
AMP	R565		nsp	nsp	RES.	680 OHM 1/5W J CRD20TJ681T
AMP	R566		nsp	nsp	RES.	680 OHM 1/5W J CRD20TJ681T
AMP	R567		nsp	nsp	RES.	33K OHM 1/5W J CRD20TJ333T
AMP	R568		nsp	nsp	RES.	33K OHM 1/5W J CRD20TJ333T
AMP	R569		nsp	nsp	RES.	22K OHM 1/5W J CRD20TJ223T
AMP	R570		nsp	nsp	RES.	22K OHM 1/5W J CRD20TJ223T
AMP	R571		nsp	nsp	RES.	120 OHM 1/5W J CRD20TJ121T
AMP	R572		nsp	nsp	RES.	120 OHM 1/5W J CRD20TJ121T
AMP	R573		nsp	nsp	RES.	120 OHM 1/5W J CRD20TJ121T
AMP	R574		nsp	nsp	RES.	120 OHM 1/5W J CRD20TJ121T
AMP	R601		nsp	nsp	RES.	33K OHM 1/5W J CRD20TJ333T
AMP	R602		nsp	nsp	RES.	33K OHM 1/5W J CRD20TJ333T
AMP	R603		nsp	nsp	RES.	1K OHM 1/5W J CRD20TJ102T
AMP	R604		nsp	nsp	RES.	1K OHM 1/5W J CRD20TJ102T
AMP	R605		nsp	nsp	RES.	100 OHM 1/5W J CRD20TJ101T
AMP	R606		nsp	nsp	RES.	100 OHM 1/5W J CRD20TJ101T
AMP	R607		nsp	nsp	RES.	12K OHM 1/5W J CRD20TJ123T
AMP	R608		nsp	nsp	RES.	12K OHM 1/5W J CRD20TJ123T
AMP	R609		nsp	nsp	RES.	12K OHM 1/5W J CRD20TJ123T
AMP	R610		nsp	nsp	RES.	12K OHM 1/5W J CRD20TJ123T
AMP	R611		nsp	nsp	RES.	470 OHM 1/5W J CRD20TJ471T
AMP	R612		nsp	nsp	RES.	470 OHM 1/5W J CRD20TJ471T
AMP	R613		nsp	nsp	RES.	470 OHM 1/5W J CRD20TJ471T
AMP	R614		nsp	nsp	RES.	470 OHM 1/5W J CRD20TJ471T
AMP	R615		nsp	nsp	RES.	68 OHM 1/5W J CRD20TJ680T
AMP	R616		nsp	nsp	RES.	68 OHM 1/5W J CRD20TJ680T
AMP	R617		nsp	nsp	RES.	68 OHM 1/5W J CRD20TJ680T
AMP	R618		nsp	nsp	RES.	68 OHM 1/5W J CRD20TJ680T
AMP	R619		90M-NB000010R	90M-NB000010R	RES.	LT20001/6S J HRT16C1512000JT
AMP	R620		90M-NB000010R	90M-NB000010R	RES.	LT20001/6S J HRT16C1512000JT
AMP	R621		90M-NB000010R	90M-NB000010R	RES.	LT20001/6S J HRT16C1512000JT
AMP	R622		90M-NB000010R	90M-NB000010R	RES.	LT20001/6S J HRT16C1512000JT
AMP	R623		nsp	nsp	RES.	330K OHM 1/5W CRD20TJ334T
AMP	R624		nsp	nsp	RES.	330K OHM 1/5W CRD20TJ334T

NOTE : "nsp" PART IS LISTED FOR REFERENCE ONLY, MARANTZ WILL NOT SUPPLY THESE PARTS.

P.C.B. NAME	POS. NO.	VERS. COLOR	PART NO. (FOR EUR)	PART NO. (MJI)	PART NAME	DESCRIPTION
AMP	R625		nsp	nsp	RES.	330K OHM 1/5W CRD20TJ334T
AMP	R626		nsp	nsp	RES.	330K OHM 1/5W CRD20TJ334T
AMP	R627		nsp	nsp	RES.	100 OHM 1/5W J CRD20TJ101T
AMP	R628		nsp	nsp	RES.	100 OHM 1/5W J CRD20TJ101T
AMP	R629		nsp	nsp	RES.	100 OHM 1/5W J CRD20TJ101T
AMP	R630		nsp	nsp	RES.	100 OHM 1/5W J CRD20TJ101T
AMP	R631		nsp	nsp	RES.	CRD25TJ100T
AMP	R632		nsp	nsp	RES.	CRD25TJ100T
AMP	R633		nsp	nsp	RES.	CRD25TJ100T
AMP	R634		nsp	nsp	RES.	CRD25TJ100T
AMP	R635		nsp	nsp	RES.	27 OHM 1/5W J CRD20TJ270T
AMP	R636		nsp	nsp	RES.	27 OHM 1/5W J CRD20TJ270T
AMP	R639		nsp	nsp	RES.	120 OHM 1W J KRG1SANJ121RT
AMP	R640		nsp	nsp	RES.	120 OHM 1W J KRG1SANJ121RT
AMP	R641		nsp	nsp	RES.	120 OHM 1W J KRG1SANJ121RT
AMP	R642		nsp	nsp	RES.	120 OHM 1W J KRG1SANJ121RT
AMP	R643		nsp	nsp	RES.	120 OHM 1W J KRG1SANJ121RT
AMP	R644		nsp	nsp	RES.	120 OHM 1W J KRG1SANJ121RT
AMP	R645		nsp	nsp	RES.	47 OHM 1W J KRG1SANJ470RT
AMP	R646		nsp	nsp	RES.	47 OHM 1W J KRG1SANJ470RT
AMP	R649		nsp	nsp	RES.	15 OHM 1/5W J CRD20TJ150T
AMP	R650		nsp	nsp	RES.	15 OHM 1/5W J CRD20TJ150T
AMP	R651		nsp	nsp	RES.	10 OHM 1/5W J CRD20TJ100T
AMP	R652		nsp	nsp	RES.	10 OHM 1/5W J CRD20TJ100T
AMP	R653		nsp	nsp	RES.	1K OHM 1/5W J CRD20TJ102T
AMP	R654		nsp	nsp	RES.	1K OHM 1/5W J CRD20TJ102T
AMP	R655		nsp	nsp	RES.	1K OHM 1/5W J CRD20TJ102T
AMP	R656		nsp	nsp	RES.	1K OHM 1/5W J CRD20TJ102T
AMP	R657		nsp	nsp	RES.	680 OHM 1/5W J CRD20TJ681T
AMP	R658		nsp	nsp	RES.	680 OHM 1/5W J CRD20TJ681T
AMP	R659		nsp	nsp	RES.	39K OHM 1/5W CRD20TJ393T
AMP	R660		nsp	nsp	RES.	39K OHM 1/5W CRD20TJ393T
AMP	R661		nsp	nsp	RES.	39K OHM 1/5W CRD20TJ393T
AMP	R662		nsp	nsp	RES.	39K OHM 1/5W CRD20TJ393T
AMP	R663		nsp	nsp	RES.	22K OHM 1/5W J CRD20TJ223T
AMP	R664		nsp	nsp	RES.	22K OHM 1/5W J CRD20TJ223T
AMP	R665		nsp	nsp	RES.	680 OHM 1/5W J CRD20TJ681T
AMP	R666		nsp	nsp	RES.	680 OHM 1/5W J CRD20TJ681T
AMP	R667		nsp	nsp	RES.	33K OHM 1/5W J CRD20TJ333T
AMP	R668		nsp	nsp	RES.	33K OHM 1/5W J CRD20TJ333T
AMP	R669		nsp	nsp	RES.	22K OHM 1/5W J CRD20TJ223T
AMP	R670		nsp	nsp	RES.	22K OHM 1/5W J CRD20TJ223T
AMP	R671		nsp	nsp	RES.	120 OHM 1/5W J CRD20TJ121T
AMP	R672		nsp	nsp	RES.	120 OHM 1/5W J CRD20TJ121T
AMP	R673		nsp	nsp	RES.	120 OHM 1/5W J CRD20TJ121T
AMP	R674		nsp	nsp	RES.	120 OHM 1/5W J CRD20TJ121T
AMP	R701		nsp	nsp	RES.	33K OHM 1/5W J CRD20TJ333T
AMP	R703		nsp	nsp	RES.	1K OHM 1/5W J CRD20TJ102T
AMP	R706		nsp	nsp	RES.	100 OHM 1/5W J CRD20TJ101T
AMP	R707		nsp	nsp	RES.	12K OHM 1/5W J CRD20TJ123T
AMP	R709		nsp	nsp	RES.	12K OHM 1/5W J CRD20TJ123T
AMP	R711		nsp	nsp	RES.	470 OHM 1/5W J CRD20TJ471T
AMP	R713		nsp	nsp	RES.	470 OHM 1/5W J CRD20TJ471T
AMP	R715		nsp	nsp	RES.	68 OHM 1/5W J CRD20TJ680T
AMP	R717		nsp	nsp	RES.	68 OHM 1/5W J CRD20TJ680T
AMP	R719		90M-NB000010R	90M-NB000010R	RES.	LT20001/6S J HRT16C1512000JT
AMP	R721		90M-NB000010R	90M-NB000010R	RES.	LT20001/6S J HRT16C1512000JT
AMP	R723		nsp	nsp	RES.	330K OHM 1/5W CRD20TJ334T
AMP	R725		nsp	nsp	RES.	330K OHM 1/5W CRD20TJ334T
AMP	R727		nsp	nsp	RES.	100 OHM 1/5W J CRD20TJ101T
AMP	R729		nsp	nsp	RES.	100 OHM 1/5W J CRD20TJ101T
AMP	R731		nsp	nsp	RES.	CRD25TJ100T
AMP	R733		nsp	nsp	RES.	CRD25TJ100T
AMP	R735		nsp	nsp	RES.	27 OHM 1/5W J CRD20TJ270T
AMP	R739		nsp	nsp	RES.	120 OHM 1W J KRG1SANJ121RT
AMP	R741		nsp	nsp	RES.	120 OHM 1W J KRG1SANJ121RT

NOTE : "nsp" PART IS LISTED FOR REFERENCE ONLY, MARANTZ WILL NOT SUPPLY THESE PARTS.

P.C.B. NAME	POS. NO.	VERS. COLOR	PART NO. (FOR EUR)	PART NO. (MJI)	PART NAME	DESCRIPTION
AMP	R743		nsp	nsp	RES.	120 OHM 1W J KRG1SANJ121RT
AMP	R745		nsp	nsp	RES.	47 OHM 1W J KRG1SANJ470RT
AMP	R749		nsp	nsp	RES.	15 OHM 1/5W J CRD20TJ150T
AMP	R751		nsp	nsp	RES.	10 OHM 1/5W J CRD20TJ100T
AMP	R752		nsp	nsp	RES.	10 OHM 1/5W J CRD20TJ100T
AMP	R753		nsp	nsp	RES.	1K OHM 1/5W J CRD20TJ102T
AMP	R755		nsp	nsp	RES.	1K OHM 1/5W J CRD20TJ102T
AMP	R757		nsp	nsp	RES.	680 OHM 1/5W J CRD20TJ681T
AMP	R759		nsp	nsp	RES.	39K OHM 1/5W CRD20TJ393T
AMP	R761		nsp	nsp	RES.	39K OHM 1/5W CRD20TJ393T
AMP	R763		nsp	nsp	RES.	22K OHM 1/5W J CRD20TJ223T
AMP	R767		nsp	nsp	RES.	33K OHM 1/5W J CRD20TJ333T
AMP	R770		nsp	nsp	RES.	22K OHM 1/5W J CRD20TJ223T
AMP	R771		nsp	nsp	RES.	120 OHM 1/5W J CRD20TJ121T
AMP	R773		nsp	nsp	RES.	120 OHM 1/5W J CRD20TJ121T
AMP	R785		nsp	nsp	RES.	680 OHM 1/5W J CRD20TJ681T
AMP	R801		nsp	nsp	RES.	68K OHM 1/5W J CRD20TJ683T
AMP	R802		nsp	nsp	RES.	68K OHM 1/5W J CRD20TJ683T
AMP	R803		nsp	nsp	RES.	68K OHM 1/5W J CRD20TJ683T
AMP	R804		nsp	nsp	RES.	68K OHM 1/5W J CRD20TJ683T
AMP	R805		nsp	nsp	RES.	68K OHM 1/5W J CRD20TJ683T
AMP	R806		nsp	nsp	RES.	68K OHM 1/5W J CRD20TJ683T
AMP	R807		nsp	nsp	RES.	68K OHM 1/5W J CRD20TJ683T
AMP	R808		nsp	nsp	RES.	100K OHM 1/5W J CRD20TJ104T
AMP	R809		nsp	nsp	RES.	22K OHM 1/5W J CRD20TJ223T
AMP	R810		nsp	nsp	RES.	100K OHM 1/5W J CRD20TJ104T
AMP	R811		nsp	nsp	RES.	3.3K OHM 1/5W J CRD20TJ332T
AMP	R812		nsp	nsp	RES.	1K OHM 1/5W J CRD20TJ102T
AMP	R813		nsp	nsp	RES.	33K OHM 1/5W J CRD20TJ333T
AMP	R814		nsp	nsp	RES.	1K OHM 1/5W J CRD20TJ102T
AMP	R815		nsp	nsp	RES.	3.3K OHM 1/5W J CRD20TJ332T
AMP	R816		nsp	nsp	RES.	6.8K OHM 1/5W J CRD20TJ682T
AMP	R817		nsp	nsp	RES.	22K OHM 1/5W J CRD20TJ223T
AMP	R818		nsp	nsp	RES.	15K OHM 1/5W J CRD20TJ153T
AMP	R819		nsp	nsp	RES.	33K OHM 1/5W J CRD20TJ333T
AMP	R820		nsp	nsp	RES.	10K OHM 1/5W J CRD20TJ103T
AMP	R821		nsp	nsp	RES.	4.7K OHM 1/5W J CRD20TJ472T
AMP	R822		nsp	nsp	RES.	10K OHM 1/5W J CRD20TJ103T
AMP	R823		nsp	nsp	RES.	10K OHM 1/5W J CRD20TJ103T
AMP	TH81		90M-HP000080R	90M-HP000080R	VARIATOR	SR5400/SR6400 BRTPTFM04BD222Q
AMP	VR41		90M-RA001090R	90M-RA001090R	TRIM. RES.	HVN1RE221B01T
AMP	VR42		90M-RA001090R	90M-RA001090R	TRIM. RES.	HVN1RE221B01T
AMP	VR51		90M-RA001090R	90M-RA001090R	TRIM. RES.	HVN1RE221B01T
AMP	VR52		90M-RA001090R	90M-RA001090R	TRIM. RES.	HVN1RE221B01T
AMP	VR61		90M-RA001090R	90M-RA001090R	TRIM. RES.	HVN1RE221B01T
AMP	VR62		90M-RA001090R	90M-RA001090R	TRIM. RES.	HVN1RE221B01T
AMP	VR71		90M-RA001090R	90M-RA001090R	TRIM. RES.	HVN1RE221B01T
<b>AUX 1 PCB (CUP11759-3)</b>						
AUX1	BN12		nsp	nsp	CORD	CWB1B905340EN
AUX1	BN85		nsp	nsp	CORD	CWB1B002300EN
AUX1	C814		nsp	nsp	CER. CAP.	100PF 50V K HCBS1H101KBT
AUX1	C815		nsp	nsp	CER. CAP.	100PF 50V K HCBS1H101KBT
AUX1	C829		nsp	00MOA10605020	ELECT CAP.	10UF 50V HCEA1HH100T
AUX1	C830		nsp	00MOA10605020	ELECT CAP.	10UF 50V HCEA1HH100T
AUX1	C831		nsp	00MOA10601620	ELECT CAP.	10UF 16V HCEA1CH100T
AUX1	C832		nsp	00MOA10601620	ELECT CAP.	10UF 16V HCEA1CH100T
AUX1	C833		nsp	nsp	CER. CAP.	0.1UF 50V Z HCBS1H104ZFT
AUX1	C834		nsp	nsp	CER. CAP.	47PF 50V J HCBS1H470JT
AUX1	C835		nsp	nsp	CER. CAP.	47PF 50V J HCBS1H470JT
AUX1	C836		nsp	nsp	CER. CAP.	0.1UF 50V Z HCBS1H104ZFT
AUX1	C837		nsp	nsp	CER. CAP.	1000PF 50V B HCBS1H102KBT
AUX1	C838		nsp	nsp	CER. CAP.	1000PF 50V B HCBS1H102KBT
AUX1	C840		nsp	nsp	CER. CAP.	0.1UF 50V Z HCBS1H104ZFT
AUX1	C846		nsp	nsp	CER. CAP.	0.01UF 50V Z HCBS1H103ZFT
AUX1	C847		nsp	00MOA47601640	ELECT CAP.	47UF 16V HCEA1CH470T
AUX1	C848		nsp	nsp	CER. CAP.	0.1UF 50V Z HCBS1H104ZFT

NOTE : "nsp" PART IS LISTED FOR REFERENCE ONLY, MARANTZ WILL NOT SUPPLY THESE PARTS.

P.C.B. NAME	POS. NO.	VERS. COLOR	PART NO. (FOR EUR)	PART NO. (MJI)	PART NAME	DESCRIPTION
AUX1	C890		nsp	nsp	CER. CAP.	0.01UF 50V Z HCBS1H103ZFT
AUX1	CN11		nsp	nsp	JACK	CJP07GB46ZY
AUX1	CN52		nsp	nsp	JACK	CJP07GA19ZY
AUX1	D820		90M-HD301940R	90M-HD301940R	ZENER DIODE	3.3V 1/2W HVDMTZJ3.3BT
AUX1	EN81		90M-SR000240R	90M-SR000240R	ROTARY SW	EC16B243040HB HSR2A004Z
AUX1	IC83		00MHC10053090	00MHC10053090	IC	NJM2068DD HVINJM2068DD
AUX1	IC84		90M-HC108910R	90M-HC108910R	IC	74VHC08 HVI74VHC08TTR
AUX1	J871		nsp	nsp	CONN. CORD	SN95/PB5 , 0.6 C3A206
AUX1	J872		nsp	nsp	CONN. CORD	SN95/PB5 , 0.6 C3A206
AUX1	J875		nsp	nsp	CONN. CORD	SN95/PB5 , 0.6 C3A206
AUX1	J894		nsp	nsp	CONN. CORD	SN95/PB5 , 0.6 C3A206
AUX1	J895		nsp	nsp	CONN. CORD	SN95/PB5 , 0.6 C3A206
AUX1	J896		nsp	nsp	CONN. CORD	SN95/PB5 , 0.6 C3A206
AUX1	JK83		90M-YT003240R	90M-YT003240R	TERMINAL	CJJ9M004Z
AUX1	JK84		90M-YT004310R	90M-YT004310R	TERMINAL	3P BLACK GOLD CJJ4S041Z
AUX1	JK87		90M-YJ002680R	90M-YJ002680R	OPT. CONN.	TORX179L HJSTORX179L
AUX1	R806		nsp	nsp	RES.	10K OHM 1/5W J CRD20TJ103T
AUX1	R807		nsp	nsp	RES.	10K OHM 1/5W J CRD20TJ103T
AUX1	R808		nsp	nsp	RES.	10K OHM 1/5W J CRD20TJ103T
AUX1	R809		nsp	nsp	RES.	10K OHM 1/5W J CRD20TJ103T
AUX1	R834		nsp	nsp	RES.	47K OHM 1/5W J CRD20TJ473T
AUX1	R835		nsp	nsp	RES.	47K OHM 1/5W J CRD20TJ473T
AUX1	R836		nsp	nsp	RES.	47K OHM 1/5W J CRD20TJ473T
AUX1	R837		nsp	nsp	RES.	47K OHM 1/5W J CRD20TJ473T
AUX1	R838		nsp	nsp	RES.	100 OHM 1/5W J CRD20TJ101T
AUX1	R839		nsp	nsp	RES.	100 OHM 1/5W J CRD20TJ101T
AUX1	R841		nsp	nsp	RES.	75 OHM 1/5W J CRD20TJ750T
AUX1	R843		nsp	nsp	RES.	75 OHM 1/5W J CRD20TJ750T
AUX1	R844		nsp	nsp	RES.	75 OHM 1/5W J CRD20TJ750T
AUX1	R851		nsp	nsp	RES.	10 OHM 1/5W J CRD20TJ100T
AUX1	R859		nsp	nsp	RES.	330 OHM 1/5W J CRD20TJ331T
					<b>COMPONENT PCB (CUP11764)</b>	
COMP.	BK11		nsp	nsp	BRACKET	CMD1A387
COMP.	BK12		nsp	nsp	BRACKET	CMD1A387
COMP.	BN41		nsp	nsp	CORD	CWB1B006150EN
COMP.	BN98		nsp	nsp	CORD	CWB1B906150EN
COMP.	C901		nsp	00MOA47602520	ELECT CAP.	47UF 25V HCEA1EH470T
COMP.	C902		nsp	00MOA47602520	ELECT CAP.	47UF 25V HCEA1EH470T
COMP.	C903		nsp	00MOA47602520	ELECT CAP.	47UF 25V HCEA1EH470T
COMP.	C904		nsp	00MOA47602520	ELECT CAP.	47UF 25V HCEA1EH470T
COMP.	C905		nsp	00MOA47602520	ELECT CAP.	47UF 25V HCEA1EH470T
COMP.	C906		nsp	00MOA47602520	ELECT CAP.	47UF 25V HCEA1EH470T
COMP.	C907		nsp	nsp	CER. CAP.	0.01UF 50V Z HCBS1H103ZFT
COMP.	C908		nsp	00MOA47602520	ELECT CAP.	47UF 25V HCEA1EH470T
COMP.	C909		nsp	00MOA47602520	ELECT CAP.	47UF 25V HCEA1EH470T
COMP.	C910		nsp	nsp	CER. CAP.	0.01UF 50V Z HCBS1H103ZFT
COMP.	C911		nsp	00MOA47602520	ELECT CAP.	47UF 25V HCEA1EH470T
COMP.	C912		nsp	nsp	CER. CAP.	0.01UF 50V Z HCBS1H103ZFT
COMP.	C913		nsp	00MOA47602520	ELECT CAP.	47UF 25V HCEA1EH470T
COMP.	C914		nsp	nsp	CER. CAP.	0.01UF 50V Z HCBS1H103ZFT
COMP.	C915		nsp	00MOA47602520	ELECT CAP.	47UF 25V HCEA1EH470T
COMP.	C916		nsp	00MOA47602520	ELECT CAP.	47UF 25V HCEA1EH470T
COMP.	C917		nsp	00MOA47602520	ELECT CAP.	47UF 25V HCEA1EH470T
COMP.	C918		nsp	nsp	CER. CAP.	0.01UF 50V Z HCBS1H103ZFT
COMP.	C919		nsp	00MOA47602520	ELECT CAP.	47UF 25V HCEA1EH470T
COMP.	C920		nsp	00MOA47602520	ELECT CAP.	47UF 25V HCEA1EH470T
COMP.	C921		nsp	nsp	CER. CAP.	0.01UF 50V Z HCBS1H103ZFT
COMP.	C922		nsp	00MOA47602520	ELECT CAP.	47UF 25V HCEA1EH470T
COMP.	C923		nsp	nsp	CER. CAP.	0.01UF 50V Z HCBS1H103ZFT
COMP.	C924		nsp	00MOA47602520	ELECT CAP.	47UF 25V HCEA1EH470T
COMP.	C925		nsp	nsp	CER. CAP.	0.01UF 50V Z HCBS1H103ZFT
COMP.	C926		nsp	00MOA47602520	ELECT CAP.	47UF 25V HCEA1EH470T
COMP.	C927		nsp	00MOA47602520	ELECT CAP.	47UF 25V HCEA1EH470T
COMP.	C928		nsp	00MOA47602520	ELECT CAP.	47UF 25V HCEA1EH470T
COMP.	C929		nsp	nsp	CER. CAP.	0.01UF 50V Z HCBS1H103ZFT
COMP.	C930		nsp	00MOA47602520	ELECT CAP.	47UF 25V HCEA1EH470T

NOTE : "nsp" PART IS LISTED FOR REFERENCE ONLY, MARANTZ WILL NOT SUPPLY THESE PARTS.

P.C.B. NAME	POS. NO.	VERS. COLOR	PART NO. (FOR EUR)	PART NO. (MJI)	PART NAME	DESCRIPTION
COMP.	C931		nsp	00MOA47602520	ELECT CAP.	47UF 25V HCEA1EH470T
COMP.	C932		nsp	nsp	CER. CAP.	0.01UF 50V Z HCBS1H103ZFT
COMP.	C933		nsp	00MOA47602520	ELECT CAP.	47UF 25V HCEA1EH470T
COMP.	C934		nsp	nsp	CER. CAP.	0.01UF 50V Z HCBS1H103ZFT
COMP.	C935		nsp	00MOA47602520	ELECT CAP.	47UF 25V HCEA1EH470T
COMP.	C936		nsp	nsp	CER. CAP.	0.01UF 50V Z HCBS1H103ZFT
COMP.	C937		nsp	00MOA47701020	ELECT CAP.	470UF 10V HCEA1AH471T
COMP.	C938		nsp	nsp	CER. CAP.	0.01UF 50V Z HCBS1H103ZFT
COMP.	C939		nsp	00MOA47701020	ELECT CAP.	470UF 10V HCEA1AH471T
COMP.	C940		nsp	nsp	CER. CAP.	0.01UF 50V Z HCBS1H103ZFT
COMP.	C941		nsp	00MOA47701020	ELECT CAP.	470UF 10V HCEA1AH471T
COMP.	C942		nsp	nsp	CER. CAP.	0.01UF 50V Z HCBS1H103ZFT
COMP.	C943		nsp	nsp	CER. CAP.	0.01UF 50V Z HCBS1H103ZFT
COMP.	C945		nsp	nsp	CER. CAP.	0.01UF 50V Z HCBS1H103ZFT
COMP.	C946		nsp	nsp	CER. CAP.	0.01UF 50V Z HCBS1H103ZFT
COMP.	C947		nsp	00MOA10701620	ELECT CAP.	100UF 16V HCEA1CH101T
COMP.	C948		nsp	nsp	CER. CAP.	0.01UF 50V Z HCBS1H103ZFT
COMP.	C949		nsp	00MOA10701620	ELECT CAP.	100UF 16V HCEA1CH101T
COMP.	C950		nsp	nsp	CER. CAP.	0.01UF 50V Z HCBS1H103ZFT
COMP.	C951		nsp	00MOA10605020	ELECT CAP.	10UF 50V HCEA1HH100T
COMP.	C952		nsp	00MOA10605020	ELECT CAP.	10UF 50V HCEA1HH100T
COMP.	C953		nsp	00MOA10605020	ELECT CAP.	10UF 50V HCEA1HH100T
COMP.	C954		nsp	nsp	CER. CAP.	0.01UF 50V Z HCBS1H103ZFT
COMP.	C955		nsp	00MOA47602520	ELECT CAP.	47UF 25V HCEA1EH470T
COMP.	C956		nsp	00MOA47602520	ELECT CAP.	47UF 25V HCEA1EH470T
COMP.	C957		nsp	00MOA47602520	ELECT CAP.	47UF 25V HCEA1EH470T
COMP.	C958		nsp	nsp	CER. CAP.	27PF 50V JT HCBS1H270JT
COMP.	C959		nsp	nsp	CER. CAP.	27PF 50V JT HCBS1H270JT
COMP.	C960		nsp	nsp	CER. CAP.	27PF 50V JT HCBS1H270JT
COMP.	CN42		nsp	nsp	JACK	CJP07GA117ZY
COMP.	IC91		00MHC10229090	00MHC10229090	IC	NJM2584D HVINJM2584D
COMP.	IC92		00MHC10229090	00MHC10229090	IC	NJM2584D HVINJM2584D
COMP.	IC93		00MHC10229090	00MHC10229090	IC	NJM2584D HVINJM2584D
COMP.	IC94		90M-HC108960R	90M-HC108960R	IC	NJM2586L HVINJM2586L
COMP.	J901		nsp	nsp	CONN. CORD	SN95/PB5 , 0.6 C3A206
COMP.	J902		nsp	nsp	CONN. CORD	SN95/PB5 , 0.6 C3A206
COMP.	J903		nsp	nsp	CONN. CORD	SN95/PB5 , 0.6 C3A206
COMP.	J904		nsp	nsp	CONN. CORD	SN95/PB5 , 0.6 C3A206
COMP.	J905		nsp	nsp	CONN. CORD	SN95/PB5 , 0.6 C3A206
COMP.	J906		nsp	nsp	CONN. CORD	SN95/PB5 , 0.6 C3A206
COMP.	J907		nsp	nsp	CONN. CORD	SN95/PB5 , 0.6 C3A206
COMP.	J908		nsp	nsp	CONN. CORD	SN95/PB5 , 0.6 C3A206
COMP.	J909		nsp	nsp	CONN. CORD	SN95/PB5 , 0.6 C3A206
COMP.	J910		nsp	nsp	CONN. CORD	SN95/PB5 , 0.6 C3A206
COMP.	J911		nsp	nsp	CONN. CORD	SN95/PB5 , 0.6 C3A206
COMP.	J912		nsp	nsp	CONN. CORD	SN95/PB5 , 0.6 C3A206
COMP.	J913		nsp	nsp	CONN. CORD	SN95/PB5 , 0.6 C3A206
COMP.	J914		nsp	nsp	CONN. CORD	SN95/PB5 , 0.6 C3A206
COMP.	J915		nsp	nsp	CONN. CORD	SN95/PB5 , 0.6 C3A206
COMP.	J916		nsp	nsp	CONN. CORD	SN95/PB5 , 0.6 C3A206
COMP.	J917		nsp	nsp	CONN. CORD	SN95/PB5 , 0.6 C3A206
COMP.	J918		nsp	nsp	CONN. CORD	SN95/PB5 , 0.6 C3A206
COMP.	J919		nsp	nsp	CONN. CORD	SN95/PB5 , 0.6 C3A206
COMP.	J920		nsp	nsp	CONN. CORD	SN95/PB5 , 0.6 C3A206
COMP.	J921		nsp	nsp	CONN. CORD	SN95/PB5 , 0.6 C3A206
COMP.	J922		nsp	nsp	CONN. CORD	SN95/PB5 , 0.6 C3A206
COMP.	J923		nsp	nsp	CONN. CORD	SN95/PB5 , 0.6 C3A206
COMP.	J924		nsp	nsp	CONN. CORD	SN95/PB5 , 0.6 C3A206
COMP.	J925		nsp	nsp	CONN. CORD	SN95/PB5 , 0.6 C3A206
COMP.	J926		nsp	nsp	CONN. CORD	SN95/PB5 , 0.6 C3A206
COMP.	J927		nsp	nsp	CONN. CORD	SN95/PB5 , 0.6 C3A206
COMP.	J928		nsp	nsp	CONN. CORD	SN95/PB5 , 0.6 C3A206
COMP.	J929		nsp	nsp	CONN. CORD	SN95/PB5 , 0.6 C3A206
COMP.	J930		nsp	nsp	CONN. CORD	SN95/PB5 , 0.6 C3A206
COMP.	J931		nsp	nsp	CONN. CORD	SN95/PB5 , 0.6 C3A206
COMP.	J932		nsp	nsp	CONN. CORD	SN95/PB5 , 0.6 C3A206

NOTE : "nsp" PART IS LISTED FOR REFERENCE ONLY, MARANTZ WILL NOT SUPPLY THESE PARTS.

P.C.B. NAME	POS. NO.	VERS. COLOR	PART NO. (FOR EUR)	PART NO. (MJI)	PART NAME	DESCRIPTION
COMP.	J933		nsp	nsp	CONN. CORD	SN95/PB5 , 0.6 C3A206
COMP.	J934		nsp	nsp	CONN. CORD	SN95/PB5 , 0.6 C3A206
COMP.	J935		nsp	nsp	CONN. CORD	SN95/PB5 , 0.6 C3A206
COMP.	J936		nsp	nsp	CONN. CORD	SN95/PB5 , 0.6 C3A206
COMP.	J937		nsp	nsp	CONN. CORD	SN95/PB5 , 0.6 C3A206
COMP.	J938		nsp	nsp	CONN. CORD	SN95/PB5 , 0.6 C3A206
COMP.	J939		nsp	nsp	CONN. CORD	SN95/PB5 , 0.6 C3A206
COMP.	JK91		90M-YT004300R	90M-YT004300R	TERMINAL	6P G/B/R SILVER CJJ4R045Z
COMP.	JK94		90M-YT004300R	90M-YT004300R	TERMINAL	6P G/B/R SILVER CJJ4R045Z
COMP.	JK95		90M-YT003210R	90M-YT003210R	TERMINAL	3P,G/B/R,SILVER CJJ4S030Z
COMP.	Q901		00MHT30001000	00MHT30001000	TRS.	HVTKTC3199YT
COMP.	Q902		90M-HT600040R	90M-HT600040R	TRS.	HVTKTA1267YT
COMP.	R901		nsp	nsp	RES.	75 OHM 1/5W J CRD20TJ750T
COMP.	R902		nsp	nsp	RES.	75 OHM 1/5W J CRD20TJ750T
COMP.	R903		nsp	nsp	RES.	75 OHM 1/5W J CRD20TJ750T
COMP.	R904		nsp	nsp	RES.	1M OHM 1/5W J CRD20TJ105T
COMP.	R905		nsp	nsp	RES.	1M OHM 1/5W J CRD20TJ105T
COMP.	R906		nsp	nsp	RES.	75 OHM 1/5W J CRD20TJ750T
COMP.	R907		nsp	nsp	RES.	75 OHM 1/5W J CRD20TJ750T
COMP.	R908		nsp	nsp	RES.	75 OHM 1/5W J CRD20TJ750T
COMP.	R911		nsp	nsp	RES.	75 OHM 1/5W J CRD20TJ750T
COMP.	R912		nsp	nsp	RES.	75 OHM 1/5W J CRD20TJ750T
COMP.	R913		nsp	nsp	RES.	75 OHM 1/5W J CRD20TJ750T
COMP.	R914		nsp	nsp	RES.	1M OHM 1/5W J CRD20TJ105T
COMP.	R915		nsp	nsp	RES.	1M OHM 1/5W J CRD20TJ105T
COMP.	R921		nsp	nsp	RES.	75 OHM 1/5W J CRD20TJ750T
COMP.	R922		nsp	nsp	RES.	75 OHM 1/5W J CRD20TJ750T
COMP.	R923		nsp	nsp	RES.	75 OHM 1/5W J CRD20TJ750T
COMP.	R924		nsp	nsp	RES.	1M OHM 1/5W J CRD20TJ105T
COMP.	R925		nsp	nsp	RES.	1M OHM 1/5W J CRD20TJ105T
COMP.	R931		nsp	nsp	RES.	75 OHM 1/5W J CRD20TJ750T
COMP.	R932		nsp	nsp	RES.	75 OHM 1/5W J CRD20TJ750T
COMP.	R933		nsp	nsp	RES.	75 OHM 1/5W J CRD20TJ750T
COMP.	R934		nsp	nsp	RES.	1M OHM 1/5W J CRD20TJ105T
COMP.	R935		nsp	nsp	RES.	1M OHM 1/5W J CRD20TJ105T
COMP.	R936		nsp	nsp	RES.	1M OHM 1/5W J CRD20TJ105T
COMP.	R941		nsp	nsp	RES.	12K OHM 1/5W J CRD20TJ123T
COMP.	R942		nsp	nsp	RES.	10K OHM 1/5W J CRD20TJ103T
COMP.	R943		nsp	nsp	RES.	470 OHM 1/5W J CRD20TJ471T
COMP.	R945		nsp	nsp	RES.	470 OHM 1/5W J CRD20TJ471T
COMP.	R946		nsp	nsp	RES.	470 OHM 1/5W J CRD20TJ471T
COMP.	R947		nsp	nsp	RES.	10K OHM 1/5W J CRD20TJ103T
<b>VIDEO CONVERTER PCB (CUP11765)</b>						
CONV.	BN71		nsp	nsp	JACK	MOLEX42140-2206 KJP06HA37ZM
CONV.	BN72		nsp	nsp	JACK	MOLEX42140-2206 KJP06HA37ZM
CONV.	BN73		nsp	nsp	JACK	MOLEX42140-2206 KJP06HA37ZM
CONV.	BN74		nsp	nsp	JACK	CJP11GA117ZY
CONV.	C100		nsp	00MOA10605020	ELECT CAP.	10UF 50V HCEA1HH100T
CONV.	C101		nsp	00MDK96103300	CER. CAP.	HCUS1H103KC
CONV.	C102		nsp	00MOA10605020	ELECT CAP.	10UF 50V HCEA1HH100T
CONV.	C103		nsp	00MDK96103300	CER. CAP.	HCUS1H103KC
CONV.	C104		nsp	00MOA10605020	ELECT CAP.	10UF 50V HCEA1HH100T
CONV.	C105		nsp	00MOA10605020	ELECT CAP.	10UF 50V HCEA1HH100T
CONV.	C106		nsp	00MOA10605020	ELECT CAP.	10UF 50V HCEA1HH100T
CONV.	C107		nsp	00MOA10605020	ELECT CAP.	10UF 50V HCEA1HH100T
CONV.	C108		nsp	00MDK96103300	CER. CAP.	HCUS1H103KC
CONV.	C109		nsp	00MOA10701620	ELECT CAP.	100UF 16V HCEA1CH101T
CONV.	C110		nsp	00MDK96104300	CER. CAP.	1608 SIZE 0.1UF ZF HCUS1E104ZF
CONV.	C111		nsp	00MDK96104300	CER. CAP.	1608 SIZE 0.1UF ZF HCUS1E104ZF
CONV.	C112		nsp	00MOA10605020	ELECT CAP.	10UF 50V HCEA1HH100T
CONV.	C113		nsp	00MDD95220300	CER. CAP.	HCUS1H220JA
CONV.	C114		nsp	00MDD91090300	CER. CAP.	CCUS1H9R0JA
CONV.	C115		nsp	00MDD95220300	CER. CAP.	HCUS1H220JA
CONV.	C116		nsp	00MOA10605020	ELECT CAP.	10UF 50V HCEA1HH100T
CONV.	C117		nsp	00MDK96103300	CER. CAP.	HCUS1H103KC
CONV.	C118		nsp	00MOA10701620	ELECT CAP.	100UF 16V HCEA1CH101T

NOTE : "nsp" PART IS LISTED FOR REFERENCE ONLY, MARANTZ WILL NOT SUPPLY THESE PARTS.

P.C.B. NAME	POS. NO.	VERS. COLOR	PART NO. (FOR EUR)	PART NO. (MJI)	PART NAME	DESCRIPTION
CONV.	C119		nsp	00MDK96103300	CER. CAP.	HCUS1H103KC
CONV.	C120		nsp	00MDK96103300	CER. CAP.	HCUS1H103KC
CONV.	C121		nsp	00MDK96103300	CER. CAP.	HCUS1H103KC
CONV.	C122		nsp	00MDK96104300	CER. CAP.	1608 SIZE 0.1UF ZF HCUS1E104ZF
CONV.	C123		nsp	00MDK96103300	CER. CAP.	HCUS1H103KC
CONV.	C124		nsp	00MOA10701620	ELECT CAP.	100UF 16V HCEA1CH101T
CONV.	C125		nsp	00MDK96103300	CER. CAP.	HCUS1H103KC
CONV.	C126		nsp	00MOA10701620	ELECT CAP.	100UF 16V HCEA1CH101T
CONV.	C127		nsp	00MDK96103300	CER. CAP.	HCUS1H103KC
CONV.	C128		nsp	00MDK96103300	CER. CAP.	HCUS1H103KC
CONV.	C129		nsp	00MDK96103300	CER. CAP.	HCUS1H103KC
CONV.	C130		nsp	00MDD91100300	CER. CAP.	HCUS1H100JA
CONV.	C131		nsp	00MDK96102300	CER. CAP.	HCUS1H102KB
CONV.	C132		nsp	00MDK96103300	CER. CAP.	HCUS1H103KC
CONV.	C133		nsp	00MDD95181300	CER. CAP.	HCUS1H181JA
CONV.	C134		nsp	00MDK96103300	CER. CAP.	HCUS1H103KC
CONV.	C135		nsp	00MOA10701620	ELECT CAP.	100UF 16V HCEA1CH101T
CONV.	C136		nsp	00MOA47602520	ELECT CAP.	47UF 25V HCEA1EH470T
CONV.	C137		nsp	00MOA10605020	ELECT CAP.	10UF 50V HCEA1HH100T
CONV.	C138		nsp	00MDD95220300	CER. CAP.	HCUS1H220JA
CONV.	C139		nsp	00MDK96103300	CER. CAP.	HCUS1H103KC
CONV.	C140		nsp	00MDD91090300	CER. CAP.	CCUS1H9R0JA
CONV.	C141		nsp	00MDD95220300	CER. CAP.	HCUS1H220JA
CONV.	C142		nsp	00MDK96104300	CER. CAP.	1608 SIZE 0.1UF ZF HCUS1E104ZF
CONV.	C143		nsp	00MDK96103300	CER. CAP.	HCUS1H103KC
CONV.	C144		nsp	00MDD95220300	CER. CAP.	HCUS1H220JA
CONV.	C145		nsp	00MDD91090300	CER. CAP.	CCUS1H9R0JA
CONV.	C146		nsp	00MDD95220300	CER. CAP.	HCUS1H220JA
CONV.	C147		nsp	00MDK96104300	CER. CAP.	1608 SIZE 0.1UF ZF HCUS1E104ZF
CONV.	C148		nsp	00MOA10605020	ELECT CAP.	10UF 50V HCEA1HH100T
CONV.	C149		nsp	00MOA10701620	ELECT CAP.	100UF 16V HCEA1CH101T
CONV.	C150		nsp	00MDK96103300	CER. CAP.	HCUS1H103KC
CONV.	C151		nsp	00MDK96104300	CER. CAP.	1608 SIZE 0.1UF ZF HCUS1E104ZF
CONV.	C152		nsp	00MOA10605020	ELECT CAP.	10UF 50V HCEA1HH100T
CONV.	C153	/A1B	nsp	00MDD91100300	CER. CAP.	HCUS1H100JA
CONV.	C153	/A1S	nsp	00MDD91100300	CER. CAP.	HCUS1H100JA
CONV.	C153	/K1G	nsp	00MDD91100300	CER. CAP.	HCUS1H100JA
CONV.	C153	/N1B	nsp	00MDD91100300	CER. CAP.	HCUS1H100JA
CONV.	C153	/N1G	nsp	00MDD91100300	CER. CAP.	HCUS1H100JA
CONV.	C153	/N1S	nsp	00MDD91100300	CER. CAP.	HCUS1H100JA
CONV.	C154		nsp	00MDD91100300	CER. CAP.	HCUS1H100JA
CONV.	C155		nsp	00MDK96224200	CER. CAP.	HCUS1C224ZF
CONV.	C156		nsp	00MDK96222300	CER. CAP.	HCUS1H222KC
CONV.	C157		nsp	00MDK96103300	CER. CAP.	HCUS1H103KC
CONV.	C158		nsp	00MOA22505020	ELECT CAP.	2.2UF 50V HCEA1HH2R2T
CONV.	C159		nsp	00MDK96104300	CER. CAP.	1608 SIZE 0.1UF ZF HCUS1E104ZF
CONV.	C160		nsp	00MDK98223300	CER. CAP.	HCUS1H223KC
CONV.	C161		nsp	00MOA22505020	ELECT CAP.	2.2UF 50V HCEA1HH2R2T
CONV.	C162		nsp	00MOA47602520	ELECT CAP.	47UF 25V HCEA1EH470T
CONV.	C163		nsp	00MDK96103300	CER. CAP.	HCUS1H103KC
CONV.	C164		nsp	00MOA47602520	ELECT CAP.	47UF 25V HCEA1EH470T
CONV.	C165		nsp	00MDK96103300	CER. CAP.	HCUS1H103KC
CONV.	C166		nsp	00MDK96104300	CER. CAP.	1608 SIZE 0.1UF ZF HCUS1E104ZF
CONV.	C167		nsp	00MDK96104300	CER. CAP.	1608 SIZE 0.1UF ZF HCUS1E104ZF
CONV.	C168		nsp	00MDK96104300	CER. CAP.	1608 SIZE 0.1UF ZF HCUS1E104ZF
CONV.	C169		nsp	00MDK96104300	CER. CAP.	1608 SIZE 0.1UF ZF HCUS1E104ZF
CONV.	C170		nsp	00MDK96104300	CER. CAP.	1608 SIZE 0.1UF ZF HCUS1E104ZF
CONV.	C171		nsp	00MDK96104300	CER. CAP.	1608 SIZE 0.1UF ZF HCUS1E104ZF
CONV.	C172		nsp	00MDK96104300	CER. CAP.	1608 SIZE 0.1UF ZF HCUS1E104ZF
CONV.	C173		nsp	00MDK96103300	CER. CAP.	HCUS1H103KC
CONV.	C174		nsp	00MOA10701620	ELECT CAP.	100UF 16V HCEA1CH101T
CONV.	C175		nsp	00MDK96102300	CER. CAP.	HCUS1H102KB
CONV.	C176		nsp	00MDK96104300	CER. CAP.	1608 SIZE 0.1UF ZF HCUS1E104ZF
CONV.	C177		nsp	00MOA47602520	ELECT CAP.	47UF 25V HCEA1EH470T
CONV.	C178		nsp	00MDK96103300	CER. CAP.	HCUS1H103KC
CONV.	C179		nsp	00MDD95220300	CER. CAP.	HCUS1H220JA

NOTE : "nsp" PART IS LISTED FOR REFERENCE ONLY, MARANTZ WILL NOT SUPPLY THESE PARTS.



P.C.B. NAME	POS. NO.	VERS. COLOR	PART NO. (FOR EUR)	PART NO. (MJI)	PART NAME	DESCRIPTION
CONV.	C180		nsp	00MDD95220300	CER. CAP.	HCUS1H220JA
CONV.	C181		nsp	00MOA47602520	ELECT CAP.	47UF 25V HCEA1EH470T
CONV.	C182		nsp	00MDK96103300	CER. CAP.	HCUS1H103KC
CONV.	C183		nsp	00MDK98473300	CER. CAP.	HCUS1H473ZF
CONV.	C184		nsp	00MDK98473300	CER. CAP.	HCUS1H473ZF
CONV.	C185		nsp	00MDK96103300	CER. CAP.	HCUS1H103KC
CONV.	C186		nsp	00MDK96103300	CER. CAP.	HCUS1H103KC
CONV.	C187		nsp	00MDK96103300	CER. CAP.	HCUS1H103KC
CONV.	C188		nsp	00MDK96103300	CER. CAP.	HCUS1H103KC
CONV.	C189		nsp	00MDK96103300	CER. CAP.	HCUS1H103KC
CONV.	C190		nsp	00MDK96103300	CER. CAP.	HCUS1H103KC
CONV.	C191		nsp	00MDK96103300	CER. CAP.	HCUS1H103KC
CONV.	C192		nsp	00MDK96103300	CER. CAP.	HCUS1H103KC
CONV.	C193		nsp	00MOA47602520	ELECT CAP.	47UF 25V HCEA1EH470T
CONV.	C194		nsp	00MDK96103300	CER. CAP.	HCUS1H103KC
CONV.	C195		nsp	00MDK96103300	CER. CAP.	HCUS1H103KC
CONV.	C196		nsp	00MOA47602520	ELECT CAP.	47UF 25V HCEA1EH470T
CONV.	C197		nsp	00MDK96104300	CER. CAP.	1608 SIZE 0.1UF ZF HCUS1E104ZF
CONV.	C198		nsp	00MOA10605020	ELECT CAP.	10UF 50V HCEA1HH100T
CONV.	C199		nsp	00MDK96103300	CER. CAP.	HCUS1H103KC
CONV.	C200		nsp	00MOA47602520	ELECT CAP.	47UF 25V HCEA1EH470T
CONV.	C201		nsp	00MDK96103300	CER. CAP.	HCUS1H103KC
CONV.	C202		nsp	00MDD95220300	CER. CAP.	HCUS1H220JA
CONV.	C203		nsp	00MDD91090300	CER. CAP.	CCUS1H9R0JA
CONV.	C204		nsp	00MDD95220300	CER. CAP.	HCUS1H220JA
CONV.	C205		nsp	00MOA47602520	ELECT CAP.	47UF 25V HCEA1EH470T
CONV.	C206		nsp	00MDK96103300	CER. CAP.	HCUS1H103KC
CONV.	C207		nsp	00MDD95220300	CER. CAP.	HCUS1H220JA
CONV.	C208		nsp	00MDD91090300	CER. CAP.	CCUS1H9R0JA
CONV.	C209		nsp	00MDD95220300	CER. CAP.	HCUS1H220JA
CONV.	C210		nsp	00MOA47602520	ELECT CAP.	47UF 25V HCEA1EH470T
CONV.	C211		nsp	00MDK96103300	CER. CAP.	HCUS1H103KC
CONV.	C212		nsp	00MDD95220300	CER. CAP.	HCUS1H220JA
CONV.	C213		nsp	00MDD91090300	CER. CAP.	CCUS1H9R0JA
CONV.	C214		nsp	00MDD95220300	CER. CAP.	HCUS1H220JA
CONV.	C215		nsp	00MDK98473300	CER. CAP.	HCUS1H473ZF
CONV.	C216		nsp	00MDK98473300	CER. CAP.	HCUS1H473ZF
CONV.	C217		nsp	00MDK96104300	CER. CAP.	1608 SIZE 0.1UF ZF HCUS1E104ZF
CONV.	C218		nsp	00MOA47602520	ELECT CAP.	47UF 25V HCEA1EH470T
CONV.	C219		nsp	00MDK96104300	CER. CAP.	1608 SIZE 0.1UF ZF HCUS1E104ZF
CONV.	C220		nsp	00MOA47602520	ELECT CAP.	47UF 25V HCEA1EH470T
CONV.	C221		nsp	00MDK96103300	CER. CAP.	HCUS1H103KC
CONV.	CN71		nsp	nsp	JACK	CJP07GA117ZY
CONV.	IC11		90M-HC108830R	90M-HC108830R	IC	NJM2285M(Te1) HVINJM2285MTE1
CONV.	IC12		90M-HC108840R	90M-HC108840R	IC	SR7400 HVITC90A49F
CONV.	IC13		90M-HC108850R	90M-HC108850R	IC	R59-4174 HVIMM1511XNRE
CONV.	IC14		90M-HC108810R	90M-HC108810R	IC	SR7400 HVITA1270BF
CONV.	IC15		90M-HC900040R	90M-HC900040R	IC REG	KIA7809AF HVIKIA7809AF
CONV.	IC16		90M-HC400060R	90M-HC400060R	IC	TC74HC4094AFN HVITC74HC4094FN
CONV.	IC17		90M-HC109260R	90M-HC109260R	IC	SR7400 BVISAA7115HLV1
CONV.	IC18		90M-HC108820R	90M-HC108820R	IC	AK8812-T HVIAK8812
CONV.	IC19		90M-HC900050R	90M-HC900050R	IC REG	KIA78D33F HVIKIA78D33F
CONV.	L100		nsp	nsp	COIL	22UH,K HLQ02C220KT
CONV.	L101		nsp	nsp	COIL	10UH,K HLQ02C100KT
CONV.	L102		nsp	nsp	COIL	10UH,K HLQ02C100KT
CONV.	L103		nsp	nsp	COIL	10UH,K HLQ02C100KT
CONV.	L104		nsp	nsp	COIL	10UH,K HLQ02C100KT
CONV.	L105		nsp	nsp	COIL	22UH,K HLQ02C220KT
CONV.	L106		nsp	nsp	COIL	22UH,K HLQ02C220KT
CONV.	L107		nsp	nsp	COIL	10UH,K HLQ02C100KT
CONV.	L108		nsp	nsp	COIL	10UH,K HLQ02C100KT
CONV.	L109		nsp	nsp	COIL	22UH,K HLQ02C220KT
CONV.	L110		nsp	nsp	COIL	22UH,K HLQ02C220KT
CONV.	L111		nsp	nsp	COIL	22UH,K HLQ02C220KT
CONV.	Q100		90M-HT600050R	90M-HT600050R	TRS.	TRPNPB-R2 HVTKTA2014GR
CONV.	Q101		90M-HT600050R	90M-HT600050R	TRS.	TRPNPB-R2 HVTKTA2014GR

NOTE : "nsp" PART IS LISTED FOR REFERENCE ONLY, MARANTZ WILL NOT SUPPLY THESE PARTS.

P.C.B. NAME	POS. NO.	VERS. COLOR	PART NO. (FOR EUR)	PART NO. (MJI)	PART NAME	DESCRIPTION
CONV.	Q102		90M-HT800110R	90M-HT800110R	TRS.	TRNPNB HVTKTC4075GR
CONV.	Q103		90M-HT600050R	90M-HT600050R	TRS.	TRPNPB-R2 HVTKTA2014GR
CONV.	Q104		90M-HT800110R	90M-HT800110R	TRS.	TRNPNB HVTKTC4075GR
CONV.	Q105		90M-HT600050R	90M-HT600050R	TRS.	TRPNPB-R2 HVTKTA2014GR
CONV.	Q106		90M-HT800110R	90M-HT800110R	TRS.	TRNPNB HVTKTC4075GR
CONV.	Q107		90M-HT600050R	90M-HT600050R	TRS.	TRPNPB-R2 HVTKTA2014GR
CONV.	Q108		90M-HT800110R	90M-HT800110R	TRS.	TRNPNB HVTKTC4075GR
CONV.	Q109		90M-HT600050R	90M-HT600050R	TRS.	TRPNPB-R2 HVTKTA2014GR
CONV.	Q110		90M-HT800110R	90M-HT800110R	TRS.	TRNPNB HVTKTC4075GR
CONV.	Q111		90M-HT600050R	90M-HT600050R	TRS.	TRPNPB-R2 HVTKTA2014GR
CONV.	Q112		90M-HT800110R	90M-HT800110R	TRS.	TRNPNB HVTKTC4075GR
CONV.	Q113		90M-HT600050R	90M-HT600050R	TRS.	TRPNPB-R2 HVTKTA2014GR
CONV.	Q114		90M-HT800110R	90M-HT800110R	TRS.	TRNPNB HVTKTC4075GR
CONV.	Q115		90M-HT600050R	90M-HT600050R	TRS.	TRPNPB-R2 HVTKTA2014GR
CONV.	Q116		90M-HT800110R	90M-HT800110R	TRS.	TRNPNB HVTKTC4075GR
CONV.	Q117		90M-HT600050R	90M-HT600050R	TRS.	TRPNPB-R2 HVTKTA2014GR
CONV.	Q118		90M-HX800010R	90M-HX800010R	CHIP TRS.	KRC102S HVTKRC102S
CONV.	Q119		90M-HX800010R	90M-HX800010R	CHIP TRS.	KRC102S HVTKRC102S
CONV.	Q120		90M-HT800110R	90M-HT800110R	TRS.	TRNPNB HVTKTC4075GR
CONV.	Q121		90M-HY200040R	90M-HY200040R	CHIP FET	HN1K05FU HVTHN1K05FU
CONV.	R100		nsp	00MNN05102610	CHIP RES.	1K OHM/1608/5% CRJ10DJ102T
CONV.	R101		nsp	00MNN05820610	CHIP RES.	820 OHM/1608/5% CRJ10DJ821T
CONV.	R102		nsp	00MNN05102610	CHIP RES.	1K OHM/1608/5% CRJ10DJ102T
CONV.	R103		nsp	00MNN05152610	CHIP RES.	1.5K OHM/1608/5% CRJ10DJ152T
CONV.	R104		nsp	00MNN05102610	CHIP RES.	1K OHM/1608/5% CRJ10DJ102T
CONV.	R105		nsp	00MNN05820610	CHIP RES.	820 OHM/1608/5% CRJ10DJ821T
CONV.	R106		nsp	00MNN05102610	CHIP RES.	1K OHM/1608/5% CRJ10DJ102T
CONV.	R107		nsp	00MNN05152610	CHIP RES.	1.5K OHM/1608/5% CRJ10DJ152T
CONV.	R108		nsp	00MNN05105610	CHIP RES.	1M OHM/1608/5% CRJ10DJ105T
CONV.	R109		nsp	00MNN05105610	CHIP RES.	1M OHM/1608/5% CRJ10DJ105T
CONV.	R110		nsp	00MNN05105610	CHIP RES.	1M OHM/1608/5% CRJ10DJ105T
CONV.	R111		nsp	00MNN05105610	CHIP RES.	1M OHM/1608/5% CRJ10DJ105T
CONV.	R112		nsp	00MNN05224610	CHIP RES.	220K OHM/1608/5% CRJ10DJ224T
CONV.	R113		nsp	00MNN05222610	CHIP RES.	2.2K OHM/1608/5% CRJ10DJ222T
CONV.	R114		nsp	00MNN05102610	CHIP RES.	1K OHM/1608/5% CRJ10DJ102T
CONV.	R115		nsp	00MNN05102610	CHIP RES.	1K OHM/1608/5% CRJ10DJ102T
CONV.	R116		nsp	00MNN05222610	CHIP RES.	2.2K OHM/1608/5% CRJ10DJ222T
CONV.	R117		nsp	00MNN05101610	CHIP RES.	100 OHM/1608/5% CRJ10DJ101T
CONV.	R118		nsp	00MNN05101610	CHIP RES.	100 OHM/1608/5% CRJ10DJ101T
CONV.	R119		nsp	00MNN05820610	CHIP RES.	820 OHM/1608/5% CRJ10DJ821T
CONV.	R120		nsp	00MNN05123610	CHIP RES.	12K OHM/1608/5% CRJ10DJ123T
CONV.	R121		nsp	00MNN05103610	CHIP RES.	10K OHM/1608/5% CRJ10DJ103T
CONV.	R122		nsp	00MNN05471610	CHIP RES.	470 OHM/1608/5% CRJ10DJ471T
CONV.	R123		nsp	00MNN05471610	CHIP RES.	470 OHM/1608/5% CRJ10DJ471T
CONV.	R124		nsp	00MNN05471610	CHIP RES.	470 OHM/1608/5% CRJ10DJ471T
CONV.	R125		nsp	00MNN05103610	CHIP RES.	10K OHM/1608/5% CRJ10DJ103T
CONV.	R126		nsp	00MNN05102610	CHIP RES.	1K OHM/1608/5% CRJ10DJ102T
CONV.	R127		nsp	00MNN05102610	CHIP RES.	1K OHM/1608/5% CRJ10DJ102T
CONV.	R128		nsp	00MNN05471610	CHIP RES.	470 OHM/1608/5% CRJ10DJ471T
CONV.	R129		nsp	00MNN05471610	CHIP RES.	470 OHM/1608/5% CRJ10DJ471T
CONV.	R130		nsp	00MNN05471610	CHIP RES.	470 OHM/1608/5% CRJ10DJ471T
CONV.	R131		nsp	00MNN05103610	CHIP RES.	10K OHM/1608/5% CRJ10DJ103T
CONV.	R132		nsp	00MNN05123610	CHIP RES.	12K OHM/1608/5% CRJ10DJ123T
CONV.	R133		nsp	00MNN05103610	CHIP RES.	10K OHM/1608/5% CRJ10DJ103T
CONV.	R134		nsp	00MNN05471610	CHIP RES.	470 OHM/1608/5% CRJ10DJ471T
CONV.	R135		nsp	00MNN05471610	CHIP RES.	470 OHM/1608/5% CRJ10DJ471T
CONV.	R136		nsp	00MNN05471610	CHIP RES.	470 OHM/1608/5% CRJ10DJ471T
CONV.	R137		nsp	00MNN05103610	CHIP RES.	10K OHM/1608/5% CRJ10DJ103T
CONV.	R138		nsp	00MNN05102610	CHIP RES.	1K OHM/1608/5% CRJ10DJ102T
CONV.	R139		nsp	00MNN05102610	CHIP RES.	1K OHM/1608/5% CRJ10DJ102T
CONV.	R140		nsp	00MNN05471610	CHIP RES.	470 OHM/1608/5% CRJ10DJ471T
CONV.	R141		nsp	00MNN05471610	CHIP RES.	470 OHM/1608/5% CRJ10DJ471T
CONV.	R142		nsp	00MNN05471610	CHIP RES.	470 OHM/1608/5% CRJ10DJ471T
CONV.	R143		nsp	00MNN05103610	CHIP RES.	10K OHM/1608/5% CRJ10DJ103T
CONV.	R144		nsp	00MNN05333610	CHIP RES.	33K OHM/1608/5% CRJ10DJ333T
CONV.	R145		nsp	00MNN05332610	CHIP RES.	3.3K OHM/1608/5% CRJ10DJ332T

NOTE : "nsp" PART IS LISTED FOR REFERENCE ONLY, MARANTZ WILL NOT SUPPLY THESE PARTS.

P.C.B. NAME	POS. NO.	VERS. COLOR	PART NO. (FOR EUR)	PART NO. (MJI)	PART NAME	DESCRIPTION
CONV.	R146		nsp	00MNN05331610	CHIP RES.	330 OHM/1608/5% CRJ10DJ331T
CONV.	R147		nsp	00MNN05101610	CHIP RES.	100 OHM/1608/5% CRJ10DJ101T
CONV.	R148		nsp	00MNN05101610	CHIP RES.	100 OHM/1608/5% CRJ10DJ101T
CONV.	R149		nsp	00MNN05101610	CHIP RES.	100 OHM/1608/5% CRJ10DJ101T
CONV.	R150		nsp	00MNN05101610	CHIP RES.	100 OHM/1608/5% CRJ10DJ101T
CONV.	R151		nsp	00MNN05101610	CHIP RES.	100 OHM/1608/5% CRJ10DJ101T
CONV.	R152		nsp	00MNN05330610	CHIP RES.	33 OHM/1608/5% CRJ10DJ330T
CONV.	R153		nsp	00MNN05330610	CHIP RES.	33 OHM/1608/5% CRJ10DJ330T
CONV.	R154		nsp	00MNN05330610	CHIP RES.	33 OHM/1608/5% CRJ10DJ330T
CONV.	R155		nsp	00MNN05330610	CHIP RES.	33 OHM/1608/5% CRJ10DJ330T
CONV.	R156		nsp	00MNN05330610	CHIP RES.	33 OHM/1608/5% CRJ10DJ330T
CONV.	R157		nsp	00MNN05330610	CHIP RES.	33 OHM/1608/5% CRJ10DJ330T
CONV.	R158		nsp	00MNN05330610	CHIP RES.	33 OHM/1608/5% CRJ10DJ330T
CONV.	R159		nsp	00MNN05330610	CHIP RES.	33 OHM/1608/5% CRJ10DJ330T
CONV.	R160		nsp	00MNN05330610	CHIP RES.	33 OHM/1608/5% CRJ10DJ330T
CONV.	R161		nsp	00MNN05101610	CHIP RES.	100 OHM/1608/5% CRJ10DJ101T
CONV.	R162		nsp	00MNN05103610	CHIP RES.	10K OHM/1608/5% CRJ10DJ103T
CONV.	R163		nsp	00MNN05101610	CHIP RES.	100 OHM/1608/5% CRJ10DJ101T
CONV.	R165		nsp	00MNN05222610	CHIP RES.	2.2K OHM/1608/5% CRJ10DJ222T
CONV.	R166		nsp	00MNN05222610	CHIP RES.	2.2K OHM/1608/5% CRJ10DJ222T
CONV.	R167		nsp	00MNN05103610	CHIP RES.	10K OHM/1608/5% CRJ10DJ103T
CONV.	R168		nsp	00MNN05123610	CHIP RES.	12K OHM/1608/5% CRJ10DJ123T
CONV.	R169		nsp	00MNN05000610	CHIP RES.	0 OHM/1608/5% CRJ10DJ0R0T
CONV.	R170		nsp	00MNN05391610	CHIP RES.	390 OHM/1608/5% CRJ10DJ391T
CONV.	R171		nsp	00MNN05183610	CHIP RES.	18K OHM/1608/5% CRJ10DJ183T
CONV.	R172		nsp	00MNN05103610	CHIP RES.	10K OHM/1608/5% CRJ10DJ103T
CONV.	R173		nsp	00MNN05471610	CHIP RES.	470 OHM/1608/5% CRJ10DJ471T
CONV.	R174		nsp	00MNN05471610	CHIP RES.	470 OHM/1608/5% CRJ10DJ471T
CONV.	R175		nsp	00MNN05471610	CHIP RES.	470 OHM/1608/5% CRJ10DJ471T
CONV.	R176		nsp	00MNN05103610	CHIP RES.	10K OHM/1608/5% CRJ10DJ103T
CONV.	R177		nsp	00MNN05102610	CHIP RES.	1K OHM/1608/5% CRJ10DJ102T
CONV.	R178		nsp	00MNN05102610	CHIP RES.	1K OHM/1608/5% CRJ10DJ102T
CONV.	R179		nsp	00MNN05391610	CHIP RES.	390 OHM/1608/5% CRJ10DJ391T
CONV.	R180		nsp	00MNN05183610	CHIP RES.	18K OHM/1608/5% CRJ10DJ183T
CONV.	R181		nsp	00MNN05103610	CHIP RES.	10K OHM/1608/5% CRJ10DJ103T
CONV.	R182		nsp	00MNN05471610	CHIP RES.	470 OHM/1608/5% CRJ10DJ471T
CONV.	R183		nsp	00MNN05471610	CHIP RES.	470 OHM/1608/5% CRJ10DJ471T
CONV.	R184		nsp	00MNN05471610	CHIP RES.	470 OHM/1608/5% CRJ10DJ471T
CONV.	R185		nsp	00MNN05103610	CHIP RES.	10K OHM/1608/5% CRJ10DJ103T
CONV.	R186		nsp	00MNN05102610	CHIP RES.	1K OHM/1608/5% CRJ10DJ102T
CONV.	R187		nsp	00MNN05102610	CHIP RES.	1K OHM/1608/5% CRJ10DJ102T
CONV.	R188		nsp	00MNN05391610	CHIP RES.	390 OHM/1608/5% CRJ10DJ391T
CONV.	R189		nsp	00MNN05183610	CHIP RES.	18K OHM/1608/5% CRJ10DJ183T
CONV.	R190		nsp	00MNN05103610	CHIP RES.	10K OHM/1608/5% CRJ10DJ103T
CONV.	R191		nsp	00MNN05471610	CHIP RES.	470 OHM/1608/5% CRJ10DJ471T
CONV.	R192		nsp	00MNN05471610	CHIP RES.	470 OHM/1608/5% CRJ10DJ471T
CONV.	R193		nsp	00MNN05471610	CHIP RES.	470 OHM/1608/5% CRJ10DJ471T
CONV.	R194		nsp	00MNN05103610	CHIP RES.	10K OHM/1608/5% CRJ10DJ103T
CONV.	R195		nsp	00MNN05102610	CHIP RES.	1K OHM/1608/5% CRJ10DJ102T
CONV.	R196		nsp	00MNN05102610	CHIP RES.	1K OHM/1608/5% CRJ10DJ102T
CONV.	R197		nsp	00MNN05103610	CHIP RES.	10K OHM/1608/5% CRJ10DJ103T
CONV.	R198		nsp	00MNN05102610	CHIP RES.	1K OHM/1608/5% CRJ10DJ102T
CONV.	R200		nsp	00MNN05222610	CHIP RES.	2.2K OHM/1608/5% CRJ10DJ222T
CONV.	R201		nsp	00MNN05222610	CHIP RES.	2.2K OHM/1608/5% CRJ10DJ222T
CONV.	VR11		90M-RA001080R	90M-RA001080R	TRIM. RES.	RH0638C-471 HVN1RA471B01T
CONV.	VR12		90M-RA001080R	90M-RA001080R	TRIM. RES.	RH0638C-471 HVN1RA471B01T
CONV.	X100	/A1B	nsp	90M-JX001160R	X'TAL	4.433MHZ HOX04433E120TF
CONV.	X100	/A1S	nsp	90M-JX001160R	X'TAL	4.433MHZ HOX04433E120TF
CONV.	X100	/K1G	nsp	90M-JX001160R	X'TAL	4.433MHZ HOX04433E120TF
CONV.	X100	/N1B	90M-JX001160R	90M-JX001160R	X'TAL	4.433MHZ HOX04433E120TF
CONV.	X100	/N1G	90M-JX001160R	90M-JX001160R	X'TAL	4.433MHZ HOX04433E120TF
CONV.	X100	/N1S	90M-JX001160R	90M-JX001160R	X'TAL	4.433MHZ HOX04433E120TF
CONV.	X101		90M-JX001150R	90M-JX001150R	X'TAL	3.579MHZ HOX03579E120TF
CONV.	X102		90M-FQ000580R	90M-FQ000580R	CER. VIB.	BVFC5BLA503KECZ
CONV.	X103		90M-JX001170R	90M-JX001170R	X'TAL	24.576MHZ HOX24576E150TF

NOTE : "nsp" PART IS LISTED FOR REFERENCE ONLY, MARANTZ WILL NOT SUPPLY THESE PARTS.

P.C.B. NAME	POS. NO.	VERS. COLOR	PART NO. (FOR EUR)	PART NO. (MJI)	PART NAME	DESCRIPTION
					<b>DSP PCB (CUP11762)</b>	
DSP	BC11		nsp	nsp	CONN. CORD	SN95/PB5 , 0.6 C3A206
DSP	BC12		nsp	nsp	CONN. CORD	SN95/PB5 , 0.6 C3A206
DSP	C100		nsp	00MDK96104300	CER. CAP.	1608 SIZE 0.1UF ZF HCUS1E104ZF
DSP	C102		nsp	00MOA10605020	ELECT CAP.	10UF 50V HCEA1HH100T
DSP	C103		nsp	00MDK96104300	CER. CAP.	1608 SIZE 0.1UF ZF HCUS1E104ZF
DSP	C104		nsp	00MDD95101300	CER. CAP.	HCUS1H101JA
DSP	C105		nsp	00MDK96103300	CER. CAP.	HCUS1H103KC
DSP	C106		nsp	00MOA47601640	ELECT CAP.	47UF 16V HCEA1CH470T
DSP	C107		nsp	00MDK96104300	CER. CAP.	1608 SIZE 0.1UF ZF HCUS1E104ZF
DSP	C108		nsp	00MDD95101300	CER. CAP.	HCUS1H101JA
DSP	C109		nsp	00MDK96103300	CER. CAP.	HCUS1H103KC
DSP	C110		nsp	00MOA47601640	ELECT CAP.	47UF 16V HCEA1CH470T
DSP	C111		nsp	00MDK96104300	CER. CAP.	1608 SIZE 0.1UF ZF HCUS1E104ZF
DSP	C112		nsp	00MDD95101300	CER. CAP.	HCUS1H101JA
DSP	C113		nsp	00MDK96103300	CER. CAP.	HCUS1H103KC
DSP	C114		nsp	00MOA47601640	ELECT CAP.	47UF 16V HCEA1CH470T
DSP	C115		nsp	00MDK96104300	CER. CAP.	1608 SIZE 0.1UF ZF HCUS1E104ZF
DSP	C116		nsp	00MDK96104300	CER. CAP.	1608 SIZE 0.1UF ZF HCUS1E104ZF
DSP	C117		nsp	00MDD95330300	CER. CAP.	HCUS1H330JA
DSP	C118		nsp	00MDD95330300	CER. CAP.	HCUS1H330JA
DSP	C119		nsp	00MDK96104300	CER. CAP.	1608 SIZE 0.1UF ZF HCUS1E104ZF
DSP	C120		nsp	00MDK96104300	CER. CAP.	1608 SIZE 0.1UF ZF HCUS1E104ZF
DSP	C121		nsp	00MDK96104300	CER. CAP.	1608 SIZE 0.1UF ZF HCUS1E104ZF
DSP	C122		nsp	00MOA22605020	ELECT CAP.	22UF 25V HCEA1EH220T
DSP	C123		nsp	00MDK96104300	CER. CAP.	1608 SIZE 0.1UF ZF HCUS1E104ZF
DSP	C124		nsp	00MDK96104300	CER. CAP.	1608 SIZE 0.1UF ZF HCUS1E104ZF
DSP	C125		nsp	00MDK98223300	CER. CAP.	HCUS1H223KC
DSP	C126		nsp	00MDK96104300	CER. CAP.	1608 SIZE 0.1UF ZF HCUS1E104ZF
DSP	C127		nsp	00MOA22605020	ELECT CAP.	22UF 25V HCEA1EH220T
DSP	C128		nsp	00MDK96104300	CER. CAP.	1608 SIZE 0.1UF ZF HCUS1E104ZF
DSP	C129		nsp	00MOA22605020	ELECT CAP.	22UF 25V HCEA1EH220T
DSP	C130		nsp	00MDK96104300	CER. CAP.	1608 SIZE 0.1UF ZF HCUS1E104ZF
DSP	C131		nsp	00MOA22605020	ELECT CAP.	22UF 25V HCEA1EH220T
DSP	C132		nsp	00MDD95330300	CER. CAP.	HCUS1H330JA
DSP	C133		nsp	00MDD95330300	CER. CAP.	HCUS1H330JA
DSP	C134		nsp	00MDK96104300	CER. CAP.	1608 SIZE 0.1UF ZF HCUS1E104ZF
DSP	C135		nsp	00MDD95101300	CER. CAP.	HCUS1H101JA
DSP	C136		nsp	00MDK96104300	CER. CAP.	1608 SIZE 0.1UF ZF HCUS1E104ZF
DSP	C137		nsp	00MOA22605020	ELECT CAP.	22UF 25V HCEA1EH220T
DSP	C138		nsp	00MOA22605020	ELECT CAP.	22UF 25V HCEA1EH220T
DSP	C139		nsp	00MOA22605020	ELECT CAP.	22UF 25V HCEA1EH220T
DSP	C141		nsp	00MDD95101300	CER. CAP.	HCUS1H101JA
DSP	C142		nsp	00MDD95151300	CER. CAP.	1608 SIZE 150PF JA HCUS1H151JA
DSP	C143		nsp	00MDK96104300	CER. CAP.	1608 SIZE 0.1UF ZF HCUS1E104ZF
DSP	C144		nsp	00MDK96272300	CER. CAP.	HCUS1H272KC
DSP	C145		nsp	00MOA22605020	ELECT CAP.	22UF 25V HCEA1EH220T
DSP	C146		nsp	00MOA22605020	ELECT CAP.	22UF 25V HCEA1EH220T
DSP	C148		nsp	00MDD95101300	CER. CAP.	HCUS1H101JA
DSP	C149		nsp	00MDD95151300	CER. CAP.	1608 SIZE 150PF JA HCUS1H151JA
DSP	C150		nsp	00MDK96104300	CER. CAP.	1608 SIZE 0.1UF ZF HCUS1E104ZF
DSP	C151		nsp	00MDK96272300	CER. CAP.	HCUS1H272KC
DSP	C152		nsp	00MOA10701620	ELECT CAP.	100UF 16V HCEA1CH101T
DSP	C153		nsp	00MDK96104300	CER. CAP.	1608 SIZE 0.1UF ZF HCUS1E104ZF
DSP	C154		nsp	00MDD95471300	CER. CAP.	HCUS1H471JA
DSP	C155		nsp	00MDK96104300	CER. CAP.	1608 SIZE 0.1UF ZF HCUS1E104ZF
DSP	C156		nsp	00MOA22605020	ELECT CAP.	22UF 25V HCEA1EH220T
DSP	C157		nsp	00MDK96104300	CER. CAP.	1608 SIZE 0.1UF ZF HCUS1E104ZF
DSP	C158		nsp	00MOA22605020	ELECT CAP.	22UF 25V HCEA1EH220T
DSP	C159		nsp	00MDK96104300	CER. CAP.	1608 SIZE 0.1UF ZF HCUS1E104ZF
DSP	C160		nsp	00MOA22605020	ELECT CAP.	22UF 25V HCEA1EH220T
DSP	C161		nsp	00MDK96104300	CER. CAP.	1608 SIZE 0.1UF ZF HCUS1E104ZF
DSP	C162		nsp	00MOA22605020	ELECT CAP.	22UF 25V HCEA1EH220T
DSP	C163		nsp	00MDK96104300	CER. CAP.	1608 SIZE 0.1UF ZF HCUS1E104ZF
DSP	C164		nsp	00MDK96104300	CER. CAP.	1608 SIZE 0.1UF ZF HCUS1E104ZF
DSP	C165		nsp	00MOA22605020	ELECT CAP.	22UF 25V HCEA1EH220T

NOTE : "nsp" PART IS LISTED FOR REFERENCE ONLY, MARANTZ WILL NOT SUPPLY THESE PARTS.

P.C.B. NAME	POS. NO.	VERS. COLOR	PART NO. (FOR EUR)	PART NO. (MJI)	PART NAME	DESCRIPTION
DSP	C166		nsp	00MDK96104300	CER. CAP.	1608 SIZE 0.1UF ZF HCUS1E104ZF
DSP	C167		nsp	00MOA22505020	ELECT CAP.	2.2UF 50V HCEA1HH2R2T
DSP	C168		nsp	00MDD95680300	CER. CAP.	HCUS1H680JA
DSP	C169		nsp	00MDK96122300	CER. CAP.	HCUS1H122KC
DSP	C170		nsp	00MDK96103300	CER. CAP.	HCUS1H103KC
DSP	C171		nsp	00MDK96105200	CER. CAP.	HCUS1C105ZF
DSP	C172		nsp	00MOA47601640	ELECT CAP.	47UF 16V HCEA1CH470T
DSP	C173		nsp	00MDK96104300	CER. CAP.	1608 SIZE 0.1UF ZF HCUS1E104ZF
DSP	C174		nsp	00MDK96104300	CER. CAP.	1608 SIZE 0.1UF ZF HCUS1E104ZF
DSP	C175		nsp	00MOA22605020	ELECT CAP.	22UF 25V HCEA1EH220T
DSP	C176		nsp	00MDK96104300	CER. CAP.	1608 SIZE 0.1UF ZF HCUS1E104ZF
DSP	C177		nsp	00MDK96104300	CER. CAP.	1608 SIZE 0.1UF ZF HCUS1E104ZF
DSP	C178		nsp	00MDK96104300	CER. CAP.	1608 SIZE 0.1UF ZF HCUS1E104ZF
DSP	C179		nsp	00MOA22605020	ELECT CAP.	22UF 25V HCEA1EH220T
DSP	C180		nsp	00MDK96104300	CER. CAP.	1608 SIZE 0.1UF ZF HCUS1E104ZF
DSP	C181		nsp	00MOA22605020	ELECT CAP.	22UF 25V HCEA1EH220T
DSP	C182		nsp	00MDK96104300	CER. CAP.	1608 SIZE 0.1UF ZF HCUS1E104ZF
DSP	C183		nsp	00MDK96104300	CER. CAP.	1608 SIZE 0.1UF ZF HCUS1E104ZF
DSP	C184		nsp	00MDK96104300	CER. CAP.	1608 SIZE 0.1UF ZF HCUS1E104ZF
DSP	C185		nsp	00MOA22605020	ELECT CAP.	22UF 25V HCEA1EH220T
DSP	C186		nsp	00MDK96104300	CER. CAP.	1608 SIZE 0.1UF ZF HCUS1E104ZF
DSP	C187		nsp	00MOA22605020	ELECT CAP.	22UF 25V HCEA1EH220T
DSP	C188		nsp	00MDK96104300	CER. CAP.	1608 SIZE 0.1UF ZF HCUS1E104ZF
DSP	C190		nsp	00MDK96104300	CER. CAP.	1608 SIZE 0.1UF ZF HCUS1E104ZF
DSP	C191		nsp	00MDK96104300	CER. CAP.	1608 SIZE 0.1UF ZF HCUS1E104ZF
DSP	C192		nsp	00MDK96104300	CER. CAP.	1608 SIZE 0.1UF ZF HCUS1E104ZF
DSP	C193		nsp	00MOA22605020	ELECT CAP.	22UF 25V HCEA1EH220T
DSP	C194		nsp	00MDK96104300	CER. CAP.	1608 SIZE 0.1UF ZF HCUS1E104ZF
DSP	C195		nsp	00MOA22605020	ELECT CAP.	22UF 25V HCEA1EH220T
DSP	C196		nsp	00MDD95101300	CER. CAP.	HCUS1H101JA
DSP	C197		nsp	00MDK96104300	CER. CAP.	1608 SIZE 0.1UF ZF HCUS1E104ZF
DSP	C198		nsp	00MOA10505020	ELECT CAP.	1UF 50V HCEA1HH1ROT
DSP	C199		nsp	00MDK96104300	CER. CAP.	1608 SIZE 0.1UF ZF HCUS1E104ZF
DSP	C200		nsp	00MOA47601640	ELECT CAP.	47UF 16V HCEA1CH470T
DSP	C201		nsp	00MDK96104300	CER. CAP.	1608 SIZE 0.1UF ZF HCUS1E104ZF
DSP	C202		nsp	00MOA10701620	ELECT CAP.	100UF 16V HCEA1CH101T
DSP	C203		nsp	00MDK96104300	CER. CAP.	1608 SIZE 0.1UF ZF HCUS1E104ZF
DSP	C204		nsp	00MOA22605020	ELECT CAP.	22UF 25V HCEA1EH220T
DSP	C205		nsp	00MDK96332300	CER. CAP.	1608 SIZE HCUS1H332KC
DSP	C206		nsp	00MDD95471300	CER. CAP.	HCUS1H471JA
DSP	C207		nsp	00MDK96332300	CER. CAP.	1608 SIZE HCUS1H332KC
DSP	C208		nsp	00MDD95471300	CER. CAP.	HCUS1H471JA
DSP	C209		nsp	00MDK96104300	CER. CAP.	1608 SIZE 0.1UF ZF HCUS1E104ZF
DSP	C210		nsp	00MOA22605020	ELECT CAP.	22UF 25V HCEA1EH220T
DSP	C211		nsp	00MDK96102300	CER. CAP.	HCUS1H102KC
DSP	C212		nsp	00MDK96332300	CER. CAP.	1608 SIZE HCUS1H332KC
DSP	C213		nsp	00MDD95471300	CER. CAP.	HCUS1H471JA
DSP	C214		nsp	00MDK96332300	CER. CAP.	1608 SIZE HCUS1H332KC
DSP	C215		nsp	00MDD95471300	CER. CAP.	HCUS1H471JA
DSP	C216		nsp	00MDK96104300	CER. CAP.	1608 SIZE 0.1UF ZF HCUS1E104ZF
DSP	C217		nsp	00MOA22605020	ELECT CAP.	22UF 25V HCEA1EH220T
DSP	C218		nsp	00MDK96102300	CER. CAP.	HCUS1H102KC
DSP	C219		nsp	00MDK96332300	CER. CAP.	1608 SIZE HCUS1H332KC
DSP	C220		nsp	00MDD95471300	CER. CAP.	HCUS1H471JA
DSP	C221		nsp	00MDK96332300	CER. CAP.	1608 SIZE HCUS1H332KC
DSP	C222		nsp	00MDD95471300	CER. CAP.	HCUS1H471JA
DSP	C223		nsp	00MDK96104300	CER. CAP.	1608 SIZE 0.1UF ZF HCUS1E104ZF
DSP	C224		nsp	00MOA22605020	ELECT CAP.	22UF 25V HCEA1EH220T
DSP	C225		nsp	00MDK96102300	CER. CAP.	HCUS1H102KC
DSP	C226		nsp	00MDK96332300	CER. CAP.	1608 SIZE HCUS1H332KC
DSP	C227		nsp	00MDD95471300	CER. CAP.	HCUS1H471JA
DSP	C228		nsp	00MDK96332300	CER. CAP.	1608 SIZE HCUS1H332KC
DSP	C229		nsp	00MDD95471300	CER. CAP.	HCUS1H471JA
DSP	C230		nsp	00MDK96104300	CER. CAP.	1608 SIZE 0.1UF ZF HCUS1E104ZF
DSP	C231		nsp	00MOA22605020	ELECT CAP.	22UF 25V HCEA1EH220T
DSP	C232		nsp	00MDK96102300	CER. CAP.	HCUS1H102KC

NOTE : "nsp" PART IS LISTED FOR REFERENCE ONLY, MARANTZ WILL NOT SUPPLY THESE PARTS.

P.C.B. NAME	POS. NO.	VERS. COLOR	PART NO. (FOR EUR)	PART NO. (MJI)	PART NAME	DESCRIPTION	
DSP	C233		nsp	00MDK96332300	CER. CAP.	1608 SIZE	HCUS1H332KC
DSP	C234		nsp	00MDD95471300	CER. CAP.		HCUS1H471JA
DSP	C235		nsp	00MDK96332300	CER. CAP.	1608 SIZE	HCUS1H332KC
DSP	C236		nsp	00MDD95471300	CER. CAP.		HCUS1H471JA
DSP	C237		nsp	00MDK96104300	CER. CAP.	1608 SIZE 0.1UF ZF	HCUS1E104ZF
DSP	C238		nsp	00MOA22605020	ELECT CAP.	22UF 25V	HCEA1EH220T
DSP	C239		nsp	00MDK96102300	CER. CAP.		HCUS1H102KC
DSP	C241		nsp	00MDK96332300	CER. CAP.	1608 SIZE	HCUS1H332KC
DSP	C242		nsp	00MDD95471300	CER. CAP.		HCUS1H471JA
DSP	C243		nsp	00MDK96332300	CER. CAP.	1608 SIZE	HCUS1H332KC
DSP	C244		nsp	00MDD95471300	CER. CAP.		HCUS1H471JA
DSP	C245		nsp	00MDK96104300	CER. CAP.	1608 SIZE 0.1UF ZF	HCUS1E104ZF
DSP	C246		nsp	00MOA22605020	ELECT CAP.	22UF 25V	HCEA1EH220T
DSP	C247		nsp	00MDK96102300	CER. CAP.		HCUS1H102KC
DSP	C248		nsp	00MDK96332300	CER. CAP.	1608 SIZE	HCUS1H332KC
DSP	C249		nsp	00MDD95471300	CER. CAP.		HCUS1H471JA
DSP	C250		nsp	00MDK96332300	CER. CAP.	1608 SIZE	HCUS1H332KC
DSP	C251		nsp	00MDD95471300	CER. CAP.		HCUS1H471JA
DSP	C252		nsp	00MDK96104300	CER. CAP.	1608 SIZE 0.1UF ZF	HCUS1E104ZF
DSP	C253		nsp	00MOA22605020	ELECT CAP.	22UF 25V	HCEA1EH220T
DSP	C254		nsp	00MDK96102300	CER. CAP.		HCUS1H102KC
DSP	C255		nsp	00MDK96103300	CER. CAP.		HCUS1H103KC
DSP	C256		nsp	00MDK96103300	CER. CAP.		HCUS1H103KC
DSP	C257		nsp	00MDD95330300	CER. CAP.		HCUS1H330JA
DSP	C258		nsp	00MDK96103300	CER. CAP.		HCUS1H103KC
DSP	C259		nsp	00MDK96103300	CER. CAP.		HCUS1H103KC
DSP	C260		nsp	00MDK96103300	CER. CAP.		HCUS1H103KC
DSP	C261		nsp	00MDK96103300	CER. CAP.		HCUS1H103KC
DSP	C262		nsp	00MDK96103300	CER. CAP.		HCUS1H103KC
DSP	C264		nsp	00MDK96104300	CER. CAP.	1608 SIZE 0.1UF ZF	HCUS1E104ZF
DSP	C265		nsp	00MOA47601640	ELECT CAP.	47UF 16V	HCEA1CH470T
DSP	C266		nsp	00MDK96104300	CER. CAP.	1608 SIZE 0.1UF ZF	HCUS1E104ZF
DSP	C267		nsp	00MOA47601640	ELECT CAP.	47UF 16V	HCEA1CH470T
DSP	C268		nsp	00MDK96332300	CER. CAP.	1608 SIZE	HCUS1H332KC
DSP	C269		nsp	00MDD95471300	CER. CAP.		HCUS1H471JA
DSP	C270		nsp	00MDK96332300	CER. CAP.	1608 SIZE	HCUS1H332KC
DSP	C271		nsp	00MDD95471300	CER. CAP.		HCUS1H471JA
DSP	C272		nsp	00MDK96104300	CER. CAP.	1608 SIZE 0.1UF ZF	HCUS1E104ZF
DSP	C273		nsp	00MOA22605020	ELECT CAP.	22UF 25V	HCEA1EH220T
DSP	C274		nsp	00MDK96102300	CER. CAP.		HCUS1H102KC
DSP	C282		nsp	00MDK96104300	CER. CAP.	1608 SIZE 0.1UF ZF	HCUS1E104ZF
DSP	C283		nsp	00MDK96104300	CER. CAP.	1608 SIZE 0.1UF ZF	HCUS1E104ZF
DSP	C284		nsp	00MDK96104300	CER. CAP.	1608 SIZE 0.1UF ZF	HCUS1E104ZF
DSP	C285		nsp	00MDK96104300	CER. CAP.	1608 SIZE 0.1UF ZF	HCUS1E104ZF
DSP	C286		nsp	00MDK96104300	CER. CAP.	1608 SIZE 0.1UF ZF	HCUS1E104ZF
DSP	C287		nsp	00MDK96104300	CER. CAP.	1608 SIZE 0.1UF ZF	HCUS1E104ZF
DSP	C289		nsp	00MDK96104300	CER. CAP.	1608 SIZE 0.1UF ZF	HCUS1E104ZF
DSP	C290		nsp	00MDK96104300	CER. CAP.	1608 SIZE 0.1UF ZF	HCUS1E104ZF
DSP	C291		nsp	00MDK96104300	CER. CAP.	1608 SIZE 0.1UF ZF	HCUS1E104ZF
DSP	C292		nsp	00MDK96104300	CER. CAP.	1608 SIZE 0.1UF ZF	HCUS1E104ZF
DSP	C293		nsp	00MDK96104300	CER. CAP.	1608 SIZE 0.1UF ZF	HCUS1E104ZF
DSP	C294		nsp	00MOA47601640	ELECT CAP.	47UF 16V	HCEA1CH470T
DSP	C295		nsp	00MDK96103300	CER. CAP.		HCUS1H103KC
DSP	C296		nsp	00MOA47601640	ELECT CAP.	47UF 16V	HCEA1CH470T
DSP	C297		nsp	00MDK96103300	CER. CAP.		HCUS1H103KC
DSP	C298		nsp	00MDK96104300	CER. CAP.	1608 SIZE 0.1UF ZF	HCUS1E104ZF
DSP	C299		nsp	00MOA47601640	ELECT CAP.	47UF 16V	HCEA1CH470T
DSP	C300		nsp	00MDK96104300	CER. CAP.	1608 SIZE 0.1UF ZF	HCUS1E104ZF
DSP	C301		nsp	00MOA47601640	ELECT CAP.	47UF 16V	HCEA1CH470T
DSP	C302		nsp	00MOA47601640	ELECT CAP.	47UF 16V	HCEA1CH470T
DSP	C303		nsp	00MOA47601640	ELECT CAP.	47UF 16V	HCEA1CH470T
DSP	C305		nsp	00MDK96104300	CER. CAP.	1608 SIZE 0.1UF ZF	HCUS1E104ZF
DSP	C306		nsp	00MDD95330300	CER. CAP.		HCUS1H330JA
DSP	C320		nsp	00MDK96104300	CER. CAP.	1608 SIZE 0.1UF ZF	HCUS1E104ZF
DSP	CC13		nsp	00MDK96104300	CER. CAP.	1608 SIZE 0.1UF ZF	HCUS1E104ZF
DSP	CC14		nsp	00MDD95180300	CER. CAP.		HCUS1H180JA

NOTE : "nsp" PART IS LISTED FOR REFERENCE ONLY, MARANTZ WILL NOT SUPPLY THESE PARTS.

P.C.B. NAME	POS. NO.	VERS. COLOR	PART NO. (FOR EUR)	PART NO. (MJI)	PART NAME	DESCRIPTION
DSP	CC15		nsp	00MDK96104300	CER. CAP.	1608 SIZE 0.1UF ZF HCUS1E104ZF
DSP	CC19		nsp	00MDK98474200	CER. CAP.	HCUS1C474ZF
DSP	CC22		nsp	00MDK96104300	CER. CAP.	1608 SIZE 0.1UF ZF HCUS1E104ZF
DSP	CC23		nsp	00MDD95220300	CER. CAP.	HCUS1H220JA
DSP	CC24		nsp	00MDD95220300	CER. CAP.	HCUS1H220JA
DSP	CC28		nsp	00MDK96104300	CER. CAP.	1608 SIZE 0.1UF ZF HCUS1E104ZF
DSP	CC29		nsp	00MDK96104300	CER. CAP.	1608 SIZE 0.1UF ZF HCUS1E104ZF
DSP	CC30		nsp	00MOA10701620	ELECT CAP.	100UF 16V HCEA1CH101T
DSP	CC31		nsp	00MDK96104300	CER. CAP.	1608 SIZE 0.1UF ZF HCUS1E104ZF
DSP	CC32		nsp	00MDK96104300	CER. CAP.	1608 SIZE 0.1UF ZF HCUS1E104ZF
DSP	CC33		nsp	00MOA10701620	ELECT CAP.	100UF 16V HCEA1CH101T
DSP	CC34		nsp	00MOA22801620	ELECT CAP.	2200UF 16V HCEA1CH222E
DSP	CC35		nsp	00MOA22801620	ELECT CAP.	2200UF 16V HCEA1CH222E
DSP	CC36		nsp	00MOA22701620	ELECT CAP.	HCEA1CH221T
DSP	CC37		nsp	00MDK96104300	CER. CAP.	1608 SIZE 0.1UF ZF HCUS1E104ZF
DSP	CC38		nsp	00MOA10701620	ELECT CAP.	100UF 16V HCEA1CH101T
DSP	CC39		nsp	00MDK96104300	CER. CAP.	1608 SIZE 0.1UF ZF HCUS1E104ZF
DSP	CC40		nsp	00MOA10702520	ELECT CAP.	100UF 25V HCEA1EH101T
DSP	CC41		nsp	00MDK96104300	CER. CAP.	1608 SIZE 0.1UF ZF HCUS1E104ZF
DSP	CC42		nsp	00MOA10702520	ELECT CAP.	100UF 25V HCEA1EH101T
DSP	CC43		nsp	00MDK96104300	CER. CAP.	1608 SIZE 0.1UF ZF HCUS1E104ZF
DSP	CC44		nsp	00MDK96104300	CER. CAP.	1608 SIZE 0.1UF ZF HCUS1E104ZF
DSP	CC45		nsp	00MDK96104300	CER. CAP.	1608 SIZE 0.1UF ZF HCUS1E104ZF
DSP	CC46		nsp	00MOA22605020	ELECT CAP.	22UF 25V HCEA1EH220T
DSP	CC47		nsp	00MOA22605020	ELECT CAP.	22UF 25V HCEA1EH220T
DSP	CC48		nsp	00MDK96104300	CER. CAP.	1608 SIZE 0.1UF ZF HCUS1E104ZF
DSP	CC49		nsp	00MOA10701620	ELECT CAP.	100UF 16V HCEA1CH101T
DSP	CC50		nsp	00MDK96104300	CER. CAP.	1608 SIZE 0.1UF ZF HCUS1E104ZF
DSP	CC52		nsp	00MDK96104300	CER. CAP.	1608 SIZE 0.1UF ZF HCUS1E104ZF
DSP	CC53		nsp	00MOA22605020	ELECT CAP.	22UF 25V HCEA1EH220T
DSP	CC54		nsp	00MDK96104300	CER. CAP.	1608 SIZE 0.1UF ZF HCUS1E104ZF
DSP	CC56		nsp	00MDK96104300	CER. CAP.	1608 SIZE 0.1UF ZF HCUS1E104ZF
DSP	CC57		nsp	00MOA22605020	ELECT CAP.	22UF 25V HCEA1EH220T
DSP	CC58		nsp	00MOA22605020	ELECT CAP.	22UF 25V HCEA1EH220T
DSP	CC59		nsp	00MDK96104300	CER. CAP.	1608 SIZE 0.1UF ZF HCUS1E104ZF
DSP	CN16		nsp	nsp	JACK	CJP19GA117ZY
DSP	CN17		nsp	nsp	JACK	CJP15GA117ZY
DSP	CN19		nsp	nsp	JACK	CJP03GA19ZY
DSP	CN28		nsp	nsp	JACK	GF120-17S-TS KJP17GA115ZG
DSP	CN30		nsp	nsp	JACK	CJP12GA19ZY
DSP	CN34	/A1B	nsp	nsp	JACK	GF120-17S-TS KJP17GA115ZG
DSP	CN34	/A1S	nsp	nsp	JACK	GF120-17S-TS KJP17GA115ZG
DSP	CN34	/F1N	nsp	nsp	JACK	GF120-15S-TS KJP15GA115ZG
DSP	CN34	/K1G	nsp	nsp	JACK	GF120-15S-TS KJP15GA115ZG
DSP	CN34	/L1G	nsp	nsp	JACK	GF120-15S-TS KJP15GA115ZG
DSP	CN34	/N1B	nsp	nsp	JACK	GF120-17S-TS KJP17GA115ZG
DSP	CN34	/N1G	nsp	nsp	JACK	GF120-17S-TS KJP17GA115ZG
DSP	CN34	/N1S	nsp	nsp	JACK	GF120-17S-TS KJP17GA115ZG
DSP	CN34	/U1B	nsp	nsp	JACK	GF120-15S-TS KJP15GA115ZG
DSP	CN36		nsp	nsp	JACK	CJP11GA117ZY
DSP	CN38		nsp	nsp	JACK	CJP15GA117ZY
DSP	CN40		nsp	nsp	JACK	CJP06GA19ZY
DSP	CN46		nsp	nsp	JACK	00906-0027 CJP04GA19ZY
DSP	CN53		nsp	nsp	JACK	CJP02GA19ZY CJP02GA19ZY
DSP	CN85		nsp	nsp	JACK	CJP02GA19ZY CJP02GA19ZY
DSP	CN98		nsp	nsp	JACK	CJP06GA19ZY
DSP	DC10	/A1B	nsp	90M-HD201800R	DIODE	HVD1SS355T
DSP	DC10	/A1S	nsp	90M-HD201800R	DIODE	HVD1SS355T
DSP	DC10	/F1N	nsp	90M-HD201800R	DIODE	HVD1SS355T
DSP	DC10	/K1G	nsp	90M-HD201800R	DIODE	HVD1SS355T
DSP	DC10	/L1G	nsp	90M-HD201800R	DIODE	HVD1SS355T
DSP	DC10	/N1B	nsp	90M-HD201800R	DIODE	HVD1SS355T
DSP	DC10	/N1G	nsp	90M-HD201800R	DIODE	HVD1SS355T
DSP	DC10	/N1S	nsp	90M-HD201800R	DIODE	HVD1SS355T
DSP	DC11		nsp	90M-HD201800R	DIODE	HVD1SS355T
DSP	DC12	/U1B	nsp	90M-HD201800R	DIODE	HVD1SS355T

NOTE : "nsp" PART IS LISTED FOR REFERENCE ONLY, MARANTZ WILL NOT SUPPLY THESE PARTS.

P.C.B. NAME	POS. NO.	VERS. COLOR	PART NO. (FOR EUR)	PART NO. (MJI)	PART NAME	DESCRIPTION
DSP	DC13		nsp	90M-HD201800R	DIODE	HVD1SS355T
DSP	DC14		nsp	90M-HD201800R	DIODE	HVD1SS355T
DSP	DC15		nsp	90M-HI200020R	L.E.D.	SIR-34ST3F BVD1SIR34ST3F
DSP	DC16		nsp	90M-HD201800R	DIODE	HVD1SS355T
DSP	DC19		nsp	90M-HD201800R	DIODE	HVD1SS355T
DSP	DC20		nsp	90M-HD201800R	DIODE	HVD1SS355T
DSP	DC22		nsp	90M-HI200020R	L.E.D.	SIR-34ST3F BVD1SIR34ST3F
DSP	DC23		nsp	90M-HD201800R	DIODE	HVD1SS355T
DSP	ET01		nsp	nsp	TERMINAL	CNE75
DSP	ET02		nsp	nsp	TERMINAL	CNE75
DSP	ET03		nsp	nsp	BRACKET	CMD1A512
DSP	ET04		nsp	nsp	BRACKET	CMD1A512
DSP	IC11		00MHC700400Z0	00MHC700400Z0	IC	TC74HCU04AFN HVITC74HCU04AFN
DSP	IC12		00MHC700400Z0	00MHC700400Z0	IC	TC74HCU04AFN HVITC74HCU04AFN
DSP	IC13		00MHC10418030	00MHC10418030	IC	LC89057W-VF4-E HVILC89057WVF4E
DSP	IC14		00MHC10172090	00MHC10172090	IC	HVINJM2115MDTE1
DSP	IC15		00MHC10172090	00MHC10172090	IC	HVINJM2115MDTE1
DSP	IC16		00MHC10015880	00MHC10015880	IC	CS5361-KS HVICS5361-KS
DSP	IC17		90M-HC108910R	90M-HC108910R	IC	74VHC08 HV174VHC08TTR
DSP	IC18		90M-HC108430R	90M-HC108430R	IC	TC74HC7007AFEL HVITC74HC7007F
DSP	IC19		00MHC10014880	00MHC10014880	IC	CS49400-CQ HVICS49400-CQ
DSP	IC20		90M-HS10BWX0R	90M-HS10BWX0R	ONE TIME PROM	M29W800DT-70N HVIM29W800DT70N
DSP	IC21		90M-HC108910R	90M-HC108910R	IC	74VHC08 HV174VHC08TTR
DSP	IC22		90M-HC108930R	90M-HC108930R	IC	74LCX32 HV174LCX32TTR
DSP	IC23		00MHC10012880	00MHC10012880	IC	CS4382-KQ HVICS4382-KQ
DSP	IC24		00MHC10102090	00MHC10102090	IC	NJM2068MD-TE1 HVINJM2068MDTE1
DSP	IC25		00MHC10102090	00MHC10102090	IC	NJM2068MD-TE1 HVINJM2068MDTE1
DSP	IC26		00MHC10102090	00MHC10102090	IC	NJM2068MD-TE1 HVINJM2068MDTE1
DSP	IC27		00MHC10102090	00MHC10102090	IC	NJM2068MD-TE1 HVINJM2068MDTE1
DSP	IC28		90M-HC108970R	90M-HC108970R	IC	HY57V161610ET-7 HV157V161610ET7
DSP	IC29		00MHC10099540	00MHC10099540	IC	S-80145ALMC HVIS-80145ALMC
DSP	IC30		90M-HC108390R	90M-HC108390R	IC	AT24C08N10SC2.7 HVIAT24C08N10SC
DSP	IC31		00MHC36J3305Y	00MHC36J3305Y	IC REG	TA48033FTE16 HVITA48033FTE16
DSP	IC32		00MHC36J25050	00MHC36J25050	IC REG	TA48025FTE16 HVITA48025FTE16
DSP	IC33		90M-HW100710R	90M-HW100710R	PHOTO UNIT	PC-17L1CB HVIPC17L1CB
DSP	IC34		90M-HW100690R	90M-HW100690R	PHOTO UNIT	RPM674CBR-S BRVRPM6936
DSP	IC35		90M-HC108440R	90M-HC108440R	IC	ST202EBW HVIST202EBW
DSP	IC36		90M-HS10BWX2R	90M-HS10BWX2R	ONE TIME PROM	FOR SR7500 HV1HD64F2505
DSP	IC37		90M-HW100690R	90M-HW100690R	PHOTO UNIT	RPM674CBR-S BRVRPM6936
DSP	IC40		90M-HC900090R	90M-HC900090R	IC REG	KAI7812AF-RTF HVIKIA7812AF
DSP	J101		nsp	nsp	CONN. CORD	SN95/PB5 , 0.6 C3A206
DSP	J102		nsp	nsp	CONN. CORD	SN95/PB5 , 0.6 C3A206
DSP	J103		nsp	nsp	CONN. CORD	SN95/PB5 , 0.6 C3A206
DSP	J104		nsp	nsp	CONN. CORD	SN95/PB5 , 0.6 C3A206
DSP	J105		nsp	nsp	CONN. CORD	SN95/PB5 , 0.6 C3A206
DSP	J106		nsp	nsp	CONN. CORD	SN95/PB5 , 0.6 C3A206
DSP	J107		nsp	nsp	CONN. CORD	SN95/PB5 , 0.6 C3A206
DSP	J108		nsp	nsp	CONN. CORD	SN95/PB5 , 0.6 C3A206
DSP	JD01		nsp	nsp	CORD	CWZSR7500JD01
DSP	JK11		90M-YT004060R	90M-YT004060R	TERMINAL	YKC22-0735N HJS9U002Z
DSP	JK12		90M-YT004060R	90M-YT004060R	TERMINAL	YKC22-0735N HJS9U002Z
DSP	JK13		90M-YT004060R	90M-YT004060R	TERMINAL	YKC22-0735N HJS9U002Z
DSP	JK14		90M-YT004070R	90M-YT004070R	TERMINAL	YKC22-0734N HJS9U001Z
DSP	JK15		90M-YT003300R	90M-YT003300R	TERMINAL	KJP09TA87WM
DSP	JK16		90M-YT003120R	90M-YT003120R	TERMINAL	CJJ4N036Z
DSP	JK17		90M-YT003650R	90M-YT003650R	TERMINAL	SILVER PLATE CJJ4N071Z
DSP	JK18		90M-YJ002760R	90M-YJ002760R	JACK	HJJ1D002Z
DSP	JK19		90M-YJ002760R	90M-YJ002760R	JACK	HJJ1D002Z
DSP	L101		00MFC90020120	00MFC90020120	FERRITE CORE	BK 1608 HM 102T HLZ92003Z
DSP	LC01		nsp	00MNN05000610	CHIP RES.	0 OHM/1608/5% CRJ10DJ0R0T
DSP	LC02		nsp	00MNN05000610	CHIP RES.	0 OHM/1608/5% CRJ10DJ0R0T
DSP	LC03		nsp	00MNN05000610	CHIP RES.	0 OHM/1608/5% CRJ10DJ0R0T
DSP	LC04		nsp	00MNN05000610	CHIP RES.	0 OHM/1608/5% CRJ10DJ0R0T
DSP	LC05		nsp	00MNN05000610	CHIP RES.	0 OHM/1608/5% CRJ10DJ0R0T
DSP	LC06		nsp	00MNN05000610	CHIP RES.	0 OHM/1608/5% CRJ10DJ0R0T
DSP	LC07		nsp	00MNN05000610	CHIP RES.	0 OHM/1608/5% CRJ10DJ0R0T

NOTE : "nsp" PART IS LISTED FOR REFERENCE ONLY, MARANTZ WILL NOT SUPPLY THESE PARTS.



P.C.B. NAME	POS. NO.	VERS. COLOR	PART NO. (FOR EUR)	PART NO. (MJI)	PART NAME	DESCRIPTION
DSP	LC08		nsp	00MNN05000610	CHIP RES.	0 OHM/1608/5% CRJ10DJ0R0T
DSP	LC09		nsp	00MNN05000610	CHIP RES.	0 OHM/1608/5% CRJ10DJ0R0T
DSP	LC10		nsp	00MNN05000610	CHIP RES.	0 OHM/1608/5% CRJ10DJ0R0T
DSP	LC11		nsp	00MNN05000610	CHIP RES.	0 OHM/1608/5% CRJ10DJ0R0T
DSP	LC71		nsp	00MNN05000610	CHIP RES.	0 OHM/1608/5% CRJ10DJ0R0T
DSP	LC72		nsp	00MNN05000610	CHIP RES.	0 OHM/1608/5% CRJ10DJ0R0T
DSP	LC73		nsp	00MNN05000610	CHIP RES.	0 OHM/1608/5% CRJ10DJ0R0T
DSP	LC74		nsp	00MNN05000610	CHIP RES.	0 OHM/1608/5% CRJ10DJ0R0T
DSP	LD01	/N1B	nsp	00MNN05000610	CHIP RES.	0 OHM/1608/5% CRJ10DJ0R0T
DSP	LD01	/N1G	nsp	00MNN05000610	CHIP RES.	0 OHM/1608/5% CRJ10DJ0R0T
DSP	LD01	/N1S	nsp	00MNN05000610	CHIP RES.	0 OHM/1608/5% CRJ10DJ0R0T
DSP	LD02	/U1B	nsp	00MNN05000610	CHIP RES.	0 OHM/1608/5% CRJ10DJ0R0T
DSP	LD03	/A1B	nsp	00MNN05000610	CHIP RES.	0 OHM/1608/5% CRJ10DJ0R0T
DSP	LD03	/A1S	nsp	00MNN05000610	CHIP RES.	0 OHM/1608/5% CRJ10DJ0R0T
DSP	LD05	/L1G	nsp	00MNN05000610	CHIP RES.	0 OHM/1608/5% CRJ10DJ0R0T
DSP	LD06	/K1G	nsp	00MNN05000610	CHIP RES.	0 OHM/1608/5% CRJ10DJ0R0T
DSP	LD07	/F1N	nsp	00MNN05000610	CHIP RES.	0 OHM/1608/5% CRJ10DJ0R0T
DSP	LD08		nsp	00MNN05000610	CHIP RES.	0 OHM/1608/5% CRJ10DJ0R0T
DSP	Q100		90M-HX800010R	90M-HX800010R	CHIP TRS.	KRC102S HVTKRC102S
DSP	Q101		90M-HX900010R	90M-HX900010R	CHIP TRS.	KTD1304 HVTKTD1304T
DSP	Q102		90M-HX900010R	90M-HX900010R	CHIP TRS.	KTD1304 HVTKTD1304T
DSP	Q103		90M-HX600010R	90M-HX600010R	CHIP TRS.	KRA102S HVTKRA102S
DSP	Q105		90M-HX600010R	90M-HX600010R	CHIP TRS.	KRA102S HVTKRA102S
DSP	Q106		00MHT30001000	00MHT30001000	TRS.	HVTKTC3199YT
DSP	Q107		90M-HX600010R	90M-HX600010R	CHIP TRS.	KRA102S HVTKRA102S
DSP	Q108		90M-HX600010R	90M-HX600010R	CHIP TRS.	KRA102S HVTKRA102S
DSP	Q109		90M-HT600020R	90M-HT600020R	TRS.	KTA1268GR HVTKTA1268GRT
DSP	Q110		90M-HX800010R	90M-HX800010R	CHIP TRS.	KRC102S HVTKRC102S
DSP	Q111		90M-HX600010R	90M-HX600010R	CHIP TRS.	KRA102S HVTKRA102S
DSP	Q112		90M-HX600010R	90M-HX600010R	CHIP TRS.	KRA102S HVTKRA102S
DSP	Q121		90M-HX600010R	90M-HX600010R	CHIP TRS.	KRA102S HVTKRA102S
DSP	Q122		90M-HT600020R	90M-HT600020R	TRS.	KTA1268GR HVTKTA1268GRT
DSP	Q123		90M-HX800010R	90M-HX800010R	CHIP TRS.	KRC102S HVTKRC102S
DSP	Q124		90M-HX600010R	90M-HX600010R	CHIP TRS.	KRA102S HVTKRA102S
DSP	Q125		90M-HX600010R	90M-HX600010R	CHIP TRS.	KRA102S HVTKRA102S
DSP	QC10		90M-HX600010R	90M-HX600010R	CHIP TRS.	KRA102S HVTKRA102S
DSP	QC11		90M-HX800010R	90M-HX800010R	CHIP TRS.	KRC102S HVTKRC102S
DSP	QC12		90M-HX600010R	90M-HX600010R	CHIP TRS.	KRA102S HVTKRA102S
DSP	R100		nsp	00MNN05100610	CHIP RES.	10 OHM/1608/5% CRJ10DJ100T
DSP	R102		nsp	00MNN05100610	CHIP RES.	10 OHM/1608/5% CRJ10DJ100T
DSP	R103		nsp	00MNN05750610	CHIP RES.	75 OHM/1608/5% CRJ10DJ750T
DSP	R104		nsp	00MNN05101610	CHIP RES.	100 OHM/1608/5% CRJ10DJ101T
DSP	R105		nsp	00MNN05750610	CHIP RES.	75 OHM/1608/5% CRJ10DJ750T
DSP	R106		nsp	00MNN05100610	CHIP RES.	10 OHM/1608/5% CRJ10DJ100T
DSP	R107		nsp	00MNN05100610	CHIP RES.	10 OHM/1608/5% CRJ10DJ100T
DSP	R108		nsp	00MNN05100610	CHIP RES.	10 OHM/1608/5% CRJ10DJ100T
DSP	R109		nsp	00MNN05104610	CHIP RES.	100K OHM/1608/5% CRJ10DJ104T
DSP	R110		nsp	00MNN05472610	CHIP RES.	4.7K OHM/1608/5% CRJ10DJ472T
DSP	R111		nsp	00MNN05750610	CHIP RES.	75 OHM/1608/5% CRJ10DJ750T
DSP	R112		nsp	00MNN05102610	CHIP RES.	1K OHM/1608/5% CRJ10DJ102T
DSP	R113		nsp	00MNN05104610	CHIP RES.	100K OHM/1608/5% CRJ10DJ104T
DSP	R114		nsp	00MNN05472610	CHIP RES.	4.7K OHM/1608/5% CRJ10DJ472T
DSP	R115		nsp	00MNN05750610	CHIP RES.	75 OHM/1608/5% CRJ10DJ750T
DSP	R116		nsp	00MNN05100610	CHIP RES.	10 OHM/1608/5% CRJ10DJ100T
DSP	R117		nsp	00MNN05104610	CHIP RES.	100K OHM/1608/5% CRJ10DJ104T
DSP	R118		nsp	00MNN05472610	CHIP RES.	4.7K OHM/1608/5% CRJ10DJ472T
DSP	R119		nsp	00MNN05102610	CHIP RES.	1K OHM/1608/5% CRJ10DJ102T
DSP	R120		nsp	00MNN05750610	CHIP RES.	75 OHM/1608/5% CRJ10DJ750T
DSP	R121		nsp	00MNN05100610	CHIP RES.	10 OHM/1608/5% CRJ10DJ100T
DSP	R122		nsp	00MNN05102610	CHIP RES.	1K OHM/1608/5% CRJ10DJ102T
DSP	R123		nsp	00MNN05104610	CHIP RES.	100K OHM/1608/5% CRJ10DJ104T
DSP	R124		nsp	00MNN05472610	CHIP RES.	4.7K OHM/1608/5% CRJ10DJ472T
DSP	R127		nsp	00MNN05104610	CHIP RES.	100K OHM/1608/5% CRJ10DJ104T
DSP	R128		nsp	00MNN05472610	CHIP RES.	4.7K OHM/1608/5% CRJ10DJ472T
DSP	R129		nsp	00MNN05330610	CHIP RES.	33 OHM/1608/5% CRJ10DJ330T
DSP	R131		nsp	00MNN05221610	CHIP RES.	220 OHM/1608/5% CRJ10DJ221T

NOTE : "nsp" PART IS LISTED FOR REFERENCE ONLY, MARANTZ WILL NOT SUPPLY THESE PARTS.

P.C.B. NAME	POS. NO.	VERS. COLOR	PART NO. (FOR EUR)	PART NO. (MJI)	PART NAME	DESCRIPTION
DSP	R132		nsp	00MNN05101610	CHIP RES.	100 OHM/1608/5% CRJ10DJ101T
DSP	R133		nsp	00MNN05101610	CHIP RES.	100 OHM/1608/5% CRJ10DJ101T
DSP	R134		nsp	00MNN05101610	CHIP RES.	100 OHM/1608/5% CRJ10DJ101T
DSP	R135		nsp	00MNN05101610	CHIP RES.	100 OHM/1608/5% CRJ10DJ101T
DSP	R136		nsp	00MNN05101610	CHIP RES.	100 OHM/1608/5% CRJ10DJ101T
DSP	R137		nsp	00MNN05101610	CHIP RES.	100 OHM/1608/5% CRJ10DJ101T
DSP	R138		nsp	00MNN05101610	CHIP RES.	100 OHM/1608/5% CRJ10DJ101T
DSP	R139		nsp	00MNN05010610	CHIP RES.	1 OHM/1608/5% CRJ10DJ1R0T
DSP	R140		nsp	00MNN05105610	CHIP RES.	1M OHM/1608/5% CRJ10DJ105T
DSP	R141		nsp	00MNN05103610	CHIP RES.	10K OHM/1608/5% CRJ10DJ103T
DSP	R142		nsp	00MNN05103610	CHIP RES.	10K OHM/1608/5% CRJ10DJ103T
DSP	R143		nsp	00MNN05103610	CHIP RES.	10K OHM/1608/5% CRJ10DJ103T
DSP	R144		nsp	00MNN05103610	CHIP RES.	10K OHM/1608/5% CRJ10DJ103T
DSP	R145		nsp	00MNN05332610	CHIP RES.	3.3K OHM/1608/5% CRJ10DJ332T
DSP	R146		nsp	00MNN05223610	CHIP RES.	22K OHM/1608/5% CRJ10DJ223T
DSP	R147		nsp	00MNN05473610	CHIP RES.	47K OHM/1608/5% CRJ10DJ473T
DSP	R148		nsp	00MNN05682610	CHIP RES.	6.8K OHM/1608/5% CRJ10DJ682T
DSP	R149		nsp	00MNN05104610	CHIP RES.	100K OHM/1608/5% CRJ10DJ104T
DSP	R150		nsp	00MNN05272610	CHIP RES.	2.7K OHM/1608/5% CRJ10DJ272T
DSP	R151		nsp	00MNN05472610	CHIP RES.	4.7K OHM/1608/5% CRJ10DJ472T
DSP	R152		nsp	00MNN05472610	CHIP RES.	4.7K OHM/1608/5% CRJ10DJ472T
DSP	R153		nsp	00MNN05562610	CHIP RES.	5.6K OHM/1608/5% CRJ10DJ562T
DSP	R154		nsp	00MNN05472610	CHIP RES.	4.7K OHM/1608/5% CRJ10DJ472T
DSP	R155		nsp	00MNN05101610	CHIP RES.	100 OHM/1608/5% CRJ10DJ101T
DSP	R156		nsp	00MNN05101610	CHIP RES.	100 OHM/1608/5% CRJ10DJ101T
DSP	R157		nsp	00MNN05682610	CHIP RES.	6.8K OHM/1608/5% CRJ10DJ682T
DSP	R158		nsp	00MNN05104610	CHIP RES.	100K OHM/1608/5% CRJ10DJ104T
DSP	R159		nsp	00MNN05272610	CHIP RES.	2.7K OHM/1608/5% CRJ10DJ272T
DSP	R160		nsp	00MNN05472610	CHIP RES.	4.7K OHM/1608/5% CRJ10DJ472T
DSP	R161		nsp	00MNN05472610	CHIP RES.	4.7K OHM/1608/5% CRJ10DJ472T
DSP	R162		nsp	00MNN05562610	CHIP RES.	5.6K OHM/1608/5% CRJ10DJ562T
DSP	R163		nsp	00MNN05472610	CHIP RES.	4.7K OHM/1608/5% CRJ10DJ472T
DSP	R164		nsp	00MNN05101610	CHIP RES.	100 OHM/1608/5% CRJ10DJ101T
DSP	R165		nsp	00MNN05101610	CHIP RES.	100 OHM/1608/5% CRJ10DJ101T
DSP	R166		nsp	00MNN05222610	CHIP RES.	2.2K OHM/1608/5% CRJ10DJ222T
DSP	R167		nsp	00MNN05222610	CHIP RES.	2.2K OHM/1608/5% CRJ10DJ222T
DSP	R168		nsp	00MNN05105610	CHIP RES.	1M OHM/1608/5% CRJ10DJ105T
DSP	R169		nsp	00MNN05101610	CHIP RES.	100 OHM/1608/5% CRJ10DJ101T
DSP	R170		nsp	00MNN05562610	CHIP RES.	5.6K OHM/1608/5% CRJ10DJ562T
DSP	R171		nsp	00MNN05103610	CHIP RES.	10K OHM/1608/5% CRJ10DJ103T
DSP	R172		nsp	00MNN05270610	CHIP RES.	27 OHM/1608/5% CRJ10DJ270T
DSP	R173		nsp	00MNN05563610	CHIP RES.	56K OHM/1608/5% CRJ10DJ563T
DSP	R174		nsp	00MNN05330610	CHIP RES.	33 OHM/1608/5% CRJ10DJ330T
DSP	R175		nsp	00MNN05330610	CHIP RES.	33 OHM/1608/5% CRJ10DJ330T
DSP	R176		nsp	00MNN05330610	CHIP RES.	33 OHM/1608/5% CRJ10DJ330T
DSP	R177		nsp	00MNN05330610	CHIP RES.	33 OHM/1608/5% CRJ10DJ330T
DSP	R178		nsp	00MNN05103610	CHIP RES.	10K OHM/1608/5% CRJ10DJ103T
DSP	R179		nsp	00MNN05103610	CHIP RES.	10K OHM/1608/5% CRJ10DJ103T
DSP	R180		nsp	00MNN05103610	CHIP RES.	10K OHM/1608/5% CRJ10DJ103T
DSP	R181		nsp	00MNN05103610	CHIP RES.	10K OHM/1608/5% CRJ10DJ103T
DSP	R182		nsp	00MNN05103610	CHIP RES.	10K OHM/1608/5% CRJ10DJ103T
DSP	R183		nsp	00MNN05103610	CHIP RES.	10K OHM/1608/5% CRJ10DJ103T
DSP	R184		nsp	00MNN05152610	CHIP RES.	1.5K OHM/1608/5% CRJ10DJ152T
DSP	R185		nsp	00MNN05103610	CHIP RES.	10K OHM/1608/5% CRJ10DJ103T
DSP	R186		nsp	00MNN05103610	CHIP RES.	10K OHM/1608/5% CRJ10DJ103T
DSP	R187		nsp	00MNN05103610	CHIP RES.	10K OHM/1608/5% CRJ10DJ103T
DSP	R188		nsp	00MNN05103610	CHIP RES.	10K OHM/1608/5% CRJ10DJ103T
DSP	R189		nsp	00MNN05562610	CHIP RES.	5.6K OHM/1608/5% CRJ10DJ562T
DSP	R190		nsp	00MNN05103610	CHIP RES.	10K OHM/1608/5% CRJ10DJ103T
DSP	R191		nsp	00MNN05103610	CHIP RES.	10K OHM/1608/5% CRJ10DJ103T
DSP	R192		nsp	00MNN05103610	CHIP RES.	10K OHM/1608/5% CRJ10DJ103T
DSP	R193		nsp	00MNN05332610	CHIP RES.	3.3K OHM/1608/5% CRJ10DJ332T
DSP	R194		nsp	00MNN05103610	CHIP RES.	10K OHM/1608/5% CRJ10DJ103T
DSP	R195		nsp	00MNN05562610	CHIP RES.	5.6K OHM/1608/5% CRJ10DJ562T
DSP	R196		nsp	00MNN05332610	CHIP RES.	3.3K OHM/1608/5% CRJ10DJ332T
DSP	R197		nsp	00MNN05332610	CHIP RES.	3.3K OHM/1608/5% CRJ10DJ332T

NOTE : "nsp" PART IS LISTED FOR REFERENCE ONLY, MARANTZ WILL NOT SUPPLY THESE PARTS.

P.C.B. NAME	POS. NO.	VERS. COLOR	PART NO. (FOR EUR)	PART NO. (MJI)	PART NAME	DESCRIPTION
DSP	R198		nsp	00MNN05332610	CHIP RES.	3.3K OHM/1608/5% CRJ10DJ332T
DSP	R199		nsp	00MNN05103610	CHIP RES.	10K OHM/1608/5% CRJ10DJ103T
DSP	R200		nsp	00MNN05103610	CHIP RES.	10K OHM/1608/5% CRJ10DJ103T
DSP	R201		nsp	00MNN05103610	CHIP RES.	10K OHM/1608/5% CRJ10DJ103T
DSP	R202		nsp	00MNN05332610	CHIP RES.	3.3K OHM/1608/5% CRJ10DJ332T
DSP	R203		nsp	00MNN05332610	CHIP RES.	3.3K OHM/1608/5% CRJ10DJ332T
DSP	R204		nsp	00MNN05103610	CHIP RES.	10K OHM/1608/5% CRJ10DJ103T
DSP	R205		nsp	00MNN05103610	CHIP RES.	10K OHM/1608/5% CRJ10DJ103T
DSP	R206		nsp	00MNN05562610	CHIP RES.	5.6K OHM/1608/5% CRJ10DJ562T
DSP	R207		nsp	00MNN05332610	CHIP RES.	3.3K OHM/1608/5% CRJ10DJ332T
DSP	R208		nsp	00MNN05103610	CHIP RES.	10K OHM/1608/5% CRJ10DJ103T
DSP	R209		nsp	00MNN05103610	CHIP RES.	10K OHM/1608/5% CRJ10DJ103T
DSP	R210		nsp	00MNN05103610	CHIP RES.	10K OHM/1608/5% CRJ10DJ103T
DSP	R211		nsp	00MNN05103610	CHIP RES.	10K OHM/1608/5% CRJ10DJ103T
DSP	R212		nsp	00MNN05103610	CHIP RES.	10K OHM/1608/5% CRJ10DJ103T
DSP	R213		nsp	00MNN05103610	CHIP RES.	10K OHM/1608/5% CRJ10DJ103T
DSP	R214		nsp	00MNN05103610	CHIP RES.	10K OHM/1608/5% CRJ10DJ103T
DSP	R215		nsp	00MNN05103610	CHIP RES.	10K OHM/1608/5% CRJ10DJ103T
DSP	R216		nsp	00MNN05103610	CHIP RES.	10K OHM/1608/5% CRJ10DJ103T
DSP	R217		nsp	00MNN05103610	CHIP RES.	10K OHM/1608/5% CRJ10DJ103T
DSP	R218		nsp	00MNN05103610	CHIP RES.	10K OHM/1608/5% CRJ10DJ103T
DSP	R233		nsp	00MNN05103610	CHIP RES.	10K OHM/1608/5% CRJ10DJ103T
DSP	R234		nsp	00MNN05103610	CHIP RES.	10K OHM/1608/5% CRJ10DJ103T
DSP	R235		nsp	00MNN05103610	CHIP RES.	10K OHM/1608/5% CRJ10DJ103T
DSP	R236		nsp	00MNN05103610	CHIP RES.	10K OHM/1608/5% CRJ10DJ103T
DSP	R237		nsp	00MNN05103610	CHIP RES.	10K OHM/1608/5% CRJ10DJ103T
DSP	R238		nsp	00MNN05103610	CHIP RES.	10K OHM/1608/5% CRJ10DJ103T
DSP	R239		nsp	00MNN05330610	CHIP RES.	33 OHM/1608/5% CRJ10DJ330T
DSP	R240		nsp	00MNN05103610	CHIP RES.	10K OHM/1608/5% CRJ10DJ103T
DSP	R241		nsp	00MNN05330610	CHIP RES.	33 OHM/1608/5% CRJ10DJ330T
DSP	R242		nsp	00MNN05330610	CHIP RES.	33 OHM/1608/5% CRJ10DJ330T
DSP	R243		nsp	00MNN05330610	CHIP RES.	33 OHM/1608/5% CRJ10DJ330T
DSP	R244		nsp	00MNN05223610	CHIP RES.	22K OHM/1608/5% CRJ10DJ223T
DSP	R245		nsp	00MNN05223610	CHIP RES.	22K OHM/1608/5% CRJ10DJ223T
DSP	R246		nsp	00MNN05223610	CHIP RES.	22K OHM/1608/5% CRJ10DJ223T
DSP	R247		nsp	00MNN05332610	CHIP RES.	3.3K OHM/1608/5% CRJ10DJ332T
DSP	R248		nsp	00MNN05332610	CHIP RES.	3.3K OHM/1608/5% CRJ10DJ332T
DSP	R249		nsp	00MNN05682610	CHIP RES.	6.8K OHM/1608/5% CRJ10DJ682T
DSP	R250		nsp	00MNN05152610	CHIP RES.	1.5K OHM/1608/5% CRJ10DJ152T
DSP	R251		nsp	00MNN05682610	CHIP RES.	6.8K OHM/1608/5% CRJ10DJ682T
DSP	R252		nsp	00MNN05152610	CHIP RES.	1.5K OHM/1608/5% CRJ10DJ152T
DSP	R253		nsp	00MNN05101610	CHIP RES.	100 OHM/1608/5% CRJ10DJ101T
DSP	R254		nsp	00MNN05104610	CHIP RES.	100K OHM/1608/5% CRJ10DJ104T
DSP	R255		nsp	00MNN05332610	CHIP RES.	3.3K OHM/1608/5% CRJ10DJ332T
DSP	R256		nsp	00MNN05332610	CHIP RES.	3.3K OHM/1608/5% CRJ10DJ332T
DSP	R257		nsp	00MNN05682610	CHIP RES.	6.8K OHM/1608/5% CRJ10DJ682T
DSP	R258		nsp	00MNN05152610	CHIP RES.	1.5K OHM/1608/5% CRJ10DJ152T
DSP	R259		nsp	00MNN05682610	CHIP RES.	6.8K OHM/1608/5% CRJ10DJ682T
DSP	R260		nsp	00MNN05152610	CHIP RES.	1.5K OHM/1608/5% CRJ10DJ152T
DSP	R261		nsp	00MNN05101610	CHIP RES.	100 OHM/1608/5% CRJ10DJ101T
DSP	R262		nsp	00MNN05104610	CHIP RES.	100K OHM/1608/5% CRJ10DJ104T
DSP	R263		nsp	00MNN05332610	CHIP RES.	3.3K OHM/1608/5% CRJ10DJ332T
DSP	R264		nsp	00MNN05332610	CHIP RES.	3.3K OHM/1608/5% CRJ10DJ332T
DSP	R265		nsp	00MNN05682610	CHIP RES.	6.8K OHM/1608/5% CRJ10DJ682T
DSP	R266		nsp	00MNN05152610	CHIP RES.	1.5K OHM/1608/5% CRJ10DJ152T
DSP	R267		nsp	00MNN05682610	CHIP RES.	6.8K OHM/1608/5% CRJ10DJ682T
DSP	R268		nsp	00MNN05152610	CHIP RES.	1.5K OHM/1608/5% CRJ10DJ152T
DSP	R269		nsp	00MNN05101610	CHIP RES.	100 OHM/1608/5% CRJ10DJ101T
DSP	R270		nsp	00MNN05104610	CHIP RES.	100K OHM/1608/5% CRJ10DJ104T
DSP	R271		nsp	00MNN05332610	CHIP RES.	3.3K OHM/1608/5% CRJ10DJ332T
DSP	R272		nsp	00MNN05332610	CHIP RES.	3.3K OHM/1608/5% CRJ10DJ332T
DSP	R273		nsp	00MNN05682610	CHIP RES.	6.8K OHM/1608/5% CRJ10DJ682T
DSP	R274		nsp	00MNN05152610	CHIP RES.	1.5K OHM/1608/5% CRJ10DJ152T
DSP	R275		nsp	00MNN05682610	CHIP RES.	6.8K OHM/1608/5% CRJ10DJ682T
DSP	R276		nsp	00MNN05152610	CHIP RES.	1.5K OHM/1608/5% CRJ10DJ152T
DSP	R277		nsp	00MNN05101610	CHIP RES.	100 OHM/1608/5% CRJ10DJ101T

NOTE : \*nsp\* PART IS LISTED FOR REFERENCE ONLY, MARANTZ WILL NOT SUPPLY THESE PARTS.

P.C.B. NAME	POS. NO.	VERS. COLOR	PART NO. (FOR EUR)	PART NO. (MJI)	PART NAME	DESCRIPTION
DSP	R278		nsp	00MNN05104610	CHIP RES.	100K OHM/1608/5% CRJ10DJ104T
DSP	R279		nsp	00MNN05332610	CHIP RES.	3.3K OHM/1608/5% CRJ10DJ332T
DSP	R280		nsp	00MNN05332610	CHIP RES.	3.3K OHM/1608/5% CRJ10DJ332T
DSP	R281		nsp	00MNN05682610	CHIP RES.	6.8K OHM/1608/5% CRJ10DJ682T
DSP	R282		nsp	00MNN05152610	CHIP RES.	1.5K OHM/1608/5% CRJ10DJ152T
DSP	R283		nsp	00MNN05682610	CHIP RES.	6.8K OHM/1608/5% CRJ10DJ682T
DSP	R284		nsp	00MNN05152610	CHIP RES.	1.5K OHM/1608/5% CRJ10DJ152T
DSP	R285		nsp	00MNN05101610	CHIP RES.	100 OHM/1608/5% CRJ10DJ101T
DSP	R286		nsp	00MNN05104610	CHIP RES.	100K OHM/1608/5% CRJ10DJ104T
DSP	R287		nsp	00MNN05332610	CHIP RES.	3.3K OHM/1608/5% CRJ10DJ332T
DSP	R288		nsp	00MNN05332610	CHIP RES.	3.3K OHM/1608/5% CRJ10DJ332T
DSP	R289		nsp	00MNN05682610	CHIP RES.	6.8K OHM/1608/5% CRJ10DJ682T
DSP	R290		nsp	00MNN05152610	CHIP RES.	1.5K OHM/1608/5% CRJ10DJ152T
DSP	R291		nsp	00MNN05682610	CHIP RES.	6.8K OHM/1608/5% CRJ10DJ682T
DSP	R292		nsp	00MNN05152610	CHIP RES.	1.5K OHM/1608/5% CRJ10DJ152T
DSP	R293		nsp	00MNN05101610	CHIP RES.	100 OHM/1608/5% CRJ10DJ101T
DSP	R294		nsp	00MNN05104610	CHIP RES.	100K OHM/1608/5% CRJ10DJ104T
DSP	R295		nsp	00MNN05332610	CHIP RES.	3.3K OHM/1608/5% CRJ10DJ332T
DSP	R296		nsp	00MNN05332610	CHIP RES.	3.3K OHM/1608/5% CRJ10DJ332T
DSP	R297		nsp	00MNN05682610	CHIP RES.	6.8K OHM/1608/5% CRJ10DJ682T
DSP	R298		nsp	00MNN05152610	CHIP RES.	1.5K OHM/1608/5% CRJ10DJ152T
DSP	R299		nsp	00MNN05682610	CHIP RES.	6.8K OHM/1608/5% CRJ10DJ682T
DSP	R300		nsp	00MNN05152610	CHIP RES.	1.5K OHM/1608/5% CRJ10DJ152T
DSP	R301		nsp	00MNN05101610	CHIP RES.	100 OHM/1608/5% CRJ10DJ101T
DSP	R302		nsp	00MNN05104610	CHIP RES.	100K OHM/1608/5% CRJ10DJ104T
DSP	R303		nsp	00MNN05470610	CHIP RES.	47 OHM/1608/5% CRJ10DJ470T
DSP	R304		nsp	00MNN05473610	CHIP RES.	47K OHM/1608/5% CRJ10DJ473T
DSP	R305		nsp	00MNN05183610	CHIP RES.	18K OHM/1608/5% CRJ10DJ183T
DSP	R306		nsp	00MNN05473610	CHIP RES.	47K OHM/1608/5% CRJ10DJ473T
DSP	R307		nsp	00MNN05152610	CHIP RES.	1.5K OHM/1608/5% CRJ10DJ152T
DSP	R308		nsp	00MNN05221610	CHIP RES.	220 OHM/1608/5% CRJ10DJ221T
DSP	R309		nsp	00MNN05183610	CHIP RES.	18K OHM/1608/5% CRJ10DJ183T
DSP	R310		nsp	00MNN05470610	CHIP RES.	47 OHM/1608/5% CRJ10DJ470T
DSP	R311		nsp	00MNN05220610	CHIP RES.	22 OHM/1608/5% CRJ10DJ220T
DSP	R312		nsp	00MNN05103610	CHIP RES.	10K OHM/1608/5% CRJ10DJ103T
DSP	R313		nsp	00MNN05223610	CHIP RES.	22K OHM/1608/5% CRJ10DJ223T
DSP	R314		nsp	00MNN05682610	CHIP RES.	6.8K OHM/1608/5% CRJ10DJ682T
DSP	R315		nsp	00MNN05047610	CHIP RES.	4.7 OHM/1608/5% CRJ10DJ47T
DSP	R316		nsp	00MNN05102610	CHIP RES.	1K OHM/1608/5% CRJ10DJ102T
DSP	R318		nsp	00MNN05201610	CHIP RES.	200 OHM/1608/5% CRJ10DJ201T
DSP	R319		nsp	00MNN05101610	CHIP RES.	100 OHM/1608/5% CRJ10DJ101T
DSP	R320		nsp	00MNN05101610	CHIP RES.	100 OHM/1608/5% CRJ10DJ101T
DSP	R321		nsp	00MNN05332610	CHIP RES.	3.3K OHM/1608/5% CRJ10DJ332T
DSP	R322		nsp	00MNN05332610	CHIP RES.	3.3K OHM/1608/5% CRJ10DJ332T
DSP	R323		nsp	00MNN05682610	CHIP RES.	6.8K OHM/1608/5% CRJ10DJ682T
DSP	R324		nsp	00MNN05152610	CHIP RES.	1.5K OHM/1608/5% CRJ10DJ152T
DSP	R325		nsp	00MNN05152610	CHIP RES.	1.5K OHM/1608/5% CRJ10DJ152T
DSP	R326		nsp	00MNN05682610	CHIP RES.	6.8K OHM/1608/5% CRJ10DJ682T
DSP	R327		nsp	00MNN05101610	CHIP RES.	100 OHM/1608/5% CRJ10DJ101T
DSP	R328		nsp	00MNN05104610	CHIP RES.	100K OHM/1608/5% CRJ10DJ104T
DSP	R329		nsp	00MNN05201610	CHIP RES.	200 OHM/1608/5% CRJ10DJ201T
DSP	R330		nsp	00MNN05220610	CHIP RES.	22 OHM/1608/5% CRJ10DJ220T
DSP	R331		nsp	00MNN05047610	CHIP RES.	4.7 OHM/1608/5% CRJ10DJ47T
DSP	R332		nsp	00MNN05220610	CHIP RES.	22 OHM/1608/5% CRJ10DJ220T
DSP	R333		nsp	00MNN05220610	CHIP RES.	22 OHM/1608/5% CRJ10DJ220T
DSP	R334		nsp	00MNN05103610	CHIP RES.	10K OHM/1608/5% CRJ10DJ103T
DSP	R345		nsp	00MNN05223610	CHIP RES.	22K OHM/1608/5% CRJ10DJ223T
DSP	R346		nsp	00MNN05682610	CHIP RES.	6.8K OHM/1608/5% CRJ10DJ682T
DSP	R347		nsp	00MNN05047610	CHIP RES.	4.7 OHM/1608/5% CRJ10DJ47T
DSP	R348		nsp	00MNN05047610	CHIP RES.	4.7 OHM/1608/5% CRJ10DJ47T
DSP	R349		nsp	00MNN05102610	CHIP RES.	1K OHM/1608/5% CRJ10DJ102T
DSP	R350		nsp	00MNN05201610	CHIP RES.	200 OHM/1608/5% CRJ10DJ201T
DSP	R351		nsp	00MNN05201610	CHIP RES.	200 OHM/1608/5% CRJ10DJ201T
DSP	R352		nsp	00MNN05101610	CHIP RES.	100 OHM/1608/5% CRJ10DJ101T
DSP	R353		nsp	00MNN05101610	CHIP RES.	100 OHM/1608/5% CRJ10DJ101T
DSP	R354		nsp	00MNN05101610	CHIP RES.	100 OHM/1608/5% CRJ10DJ101T

NOTE : "nsp" PART IS LISTED FOR REFERENCE ONLY, MARANTZ WILL NOT SUPPLY THESE PARTS.

P.C.B. NAME	POS. NO.	VERS. COLOR	PART NO. (FOR EUR)	PART NO. (MJI)	PART NAME	DESCRIPTION
DSP	R355		nsp	00MNN05101610	CHIP RES.	100 OHM/1608/5% CRJ10DJ101T
DSP	R356		nsp	00MNN05103610	CHIP RES.	10K OHM/1608/5% CRJ10DJ103T
DSP	R357		nsp	00MNN05103610	CHIP RES.	10K OHM/1608/5% CRJ10DJ103T
DSP	R358		nsp	00MNN05103610	CHIP RES.	10K OHM/1608/5% CRJ10DJ103T
DSP	R359		nsp	00MNN05103610	CHIP RES.	10K OHM/1608/5% CRJ10DJ103T
DSP	RC11		nsp	00MNN05000610	CHIP RES.	0 OHM/1608/5% CRJ10DJ0R0T
DSP	RC12		nsp	00MNN05223610	CHIP RES.	22K OHM/1608/5% CRJ10DJ223T
DSP	RC14		nsp	00MNN05473610	CHIP RES.	47K OHM/1608/5% CRJ10DJ473T
DSP	RC15		nsp	00MNN05473610	CHIP RES.	47K OHM/1608/5% CRJ10DJ473T
DSP	RC16		nsp	00MNN05473610	CHIP RES.	47K OHM/1608/5% CRJ10DJ473T
DSP	RC17		nsp	00MNN05473610	CHIP RES.	47K OHM/1608/5% CRJ10DJ473T
DSP	RC18		nsp	00MNN05473610	CHIP RES.	47K OHM/1608/5% CRJ10DJ473T
DSP	RC20		nsp	00MNN05473610	CHIP RES.	47K OHM/1608/5% CRJ10DJ473T
DSP	RC21		nsp	00MNN05473610	CHIP RES.	47K OHM/1608/5% CRJ10DJ473T
DSP	RC22		nsp	00MNN05473610	CHIP RES.	47K OHM/1608/5% CRJ10DJ473T
DSP	RC23		nsp	00MNN05473610	CHIP RES.	47K OHM/1608/5% CRJ10DJ473T
DSP	RC24		nsp	00MNN05473610	CHIP RES.	47K OHM/1608/5% CRJ10DJ473T
DSP	RC26		nsp	00MNN05010610	CHIP RES.	1 OHM/1608/5% CRJ10DJ1R0T
DSP	RC31		nsp	00MNN05472610	CHIP RES.	4.7K OHM/1608/5% CRJ10DJ472T
DSP	RC32		nsp	00MNN05472610	CHIP RES.	4.7K OHM/1608/5% CRJ10DJ472T
DSP	RC33		nsp	00MNN05472610	CHIP RES.	4.7K OHM/1608/5% CRJ10DJ472T
DSP	RC34		nsp	00MNN05473610	CHIP RES.	47K OHM/1608/5% CRJ10DJ473T
DSP	RC35		nsp	00MNN05473610	CHIP RES.	47K OHM/1608/5% CRJ10DJ473T
DSP	RC36	/A1B	nsp	00MNN05473610	CHIP RES.	47K OHM/1608/5% CRJ10DJ473T
DSP	RC36	/A1S	nsp	00MNN05473610	CHIP RES.	47K OHM/1608/5% CRJ10DJ473T
DSP	RC36	/F1N	nsp	00MNN05393610	CHIP RES.	39K OHM/1608/5% CRJ10DJ393T
DSP	RC36	/K1G	nsp	00MNN05273610	CHIP RES.	27K OHM/1608/5% CRJ10DJ273T
DSP	RC36	/L1G	nsp	00MNN05473610	CHIP RES.	47K OHM/1608/5% CRJ10DJ473T
DSP	RC36	/N1B	nsp	00MNN05832610	CHIP RES.	82K OHM/1608/5% CRJ10DJ823T
DSP	RC36	/N1G	nsp	00MNN05832610	CHIP RES.	82K OHM/1608/5% CRJ10DJ823T
DSP	RC36	/N1S	nsp	00MNN05832610	CHIP RES.	82K OHM/1608/5% CRJ10DJ823T
DSP	RC37	/A1B	nsp	00MNN05223610	CHIP RES.	22K OHM/1608/5% CRJ10DJ223T
DSP	RC37	/A1S	nsp	00MNN05223610	CHIP RES.	22K OHM/1608/5% CRJ10DJ223T
DSP	RC37	/F1N	nsp	00MNN05563610	CHIP RES.	56K OHM/1608/5% CRJ10DJ563T
DSP	RC37	/K1G	nsp	00MNN05683610	CHIP RES.	68K OHM/1608/5% CRJ10DJ683T
DSP	RC37	/L1G	nsp	00MNN05473610	CHIP RES.	47K OHM/1608/5% CRJ10DJ473T
DSP	RC37	/N1B	nsp	00MNN05223610	CHIP RES.	22K OHM/1608/5% CRJ10DJ223T
DSP	RC37	/N1G	nsp	00MNN05223610	CHIP RES.	22K OHM/1608/5% CRJ10DJ223T
DSP	RC37	/N1S	nsp	00MNN05223610	CHIP RES.	22K OHM/1608/5% CRJ10DJ223T
DSP	RC37	/U1B	nsp	00MNN05000610	CHIP RES.	0 OHM/1608/5% CRJ10DJ0R0T
DSP	RC39		nsp	00MNN05103610	CHIP RES.	10K OHM/1608/5% CRJ10DJ103T
DSP	RC40		nsp	00MNN05473610	CHIP RES.	47K OHM/1608/5% CRJ10DJ473T
DSP	RC41		nsp	00MNN05123610	CHIP RES.	12K OHM/1608/5% CRJ10DJ123T
DSP	RC42		nsp	00MNN05473610	CHIP RES.	47K OHM/1608/5% CRJ10DJ473T
DSP	RC43		nsp	00MNN05473610	CHIP RES.	47K OHM/1608/5% CRJ10DJ473T
DSP	RC44		nsp	00MNN05102610	CHIP RES.	1K OHM/1608/5% CRJ10DJ102T
DSP	RC45		nsp	00MNN05473610	CHIP RES.	47K OHM/1608/5% CRJ10DJ473T
DSP	RC46		nsp	00MNN05473610	CHIP RES.	47K OHM/1608/5% CRJ10DJ473T
DSP	RC47		nsp	00MNN05473610	CHIP RES.	47K OHM/1608/5% CRJ10DJ473T
DSP	RC48		nsp	00MNN05473610	CHIP RES.	47K OHM/1608/5% CRJ10DJ473T
DSP	RC49		nsp	00MNN05473610	CHIP RES.	47K OHM/1608/5% CRJ10DJ473T
DSP	RC50		nsp	00MNN05473610	CHIP RES.	47K OHM/1608/5% CRJ10DJ473T
DSP	RC51		nsp	00MNN05473610	CHIP RES.	47K OHM/1608/5% CRJ10DJ473T
DSP	RC52		nsp	00MNN05473610	CHIP RES.	47K OHM/1608/5% CRJ10DJ473T
DSP	RC53		nsp	00MNN05473610	CHIP RES.	47K OHM/1608/5% CRJ10DJ473T
DSP	RC54		nsp	00MNN05000610	CHIP RES.	0 OHM/1608/5% CRJ10DJ0R0T
DSP	RC55		nsp	00MNN05223610	CHIP RES.	22K OHM/1608/5% CRJ10DJ223T
DSP	RC56		nsp	00MNN05223610	CHIP RES.	22K OHM/1608/5% CRJ10DJ223T
DSP	RC59		nsp	00MNN05473610	CHIP RES.	47K OHM/1608/5% CRJ10DJ473T
DSP	RC60		nsp	00MNN05473610	CHIP RES.	47K OHM/1608/5% CRJ10DJ473T
DSP	RC61		nsp	00MNN05473610	CHIP RES.	47K OHM/1608/5% CRJ10DJ473T
DSP	RC62		nsp	00MNN05473610	CHIP RES.	47K OHM/1608/5% CRJ10DJ473T
DSP	RC63		nsp	00MNN05683610	CHIP RES.	68K OHM/1608/5% CRJ10DJ683T
DSP	RC64		nsp	00MNN05222610	CHIP RES.	2.2K OHM/1608/5% CRJ10DJ222T
DSP	RC65		nsp	00MNN05102610	CHIP RES.	1K OHM/1608/5% CRJ10DJ102T
DSP	RC66		nsp	00MNN05473610	CHIP RES.	47K OHM/1608/5% CRJ10DJ473T

NOTE : "nsp" PART IS LISTED FOR REFERENCE ONLY, MARANTZ WILL NOT SUPPLY THESE PARTS.

P.C.B. NAME	POS. NO.	VERS. COLOR	PART NO. (FOR EUR)	PART NO. (MJI)	PART NAME	DESCRIPTION	
DSP	RC67		nsp	00MNN05473610	CHIP RES.	47K OHM/1608/5%	CRJ10DJ473T
DSP	RC76		nsp	00MNN05473610	CHIP RES.	47K OHM/1608/5%	CRJ10DJ473T
DSP	RN11		90M-BW000390R	90M-BW000390R	RES. COMPO.	100R (1608)	CRJ104DJ101T
DSP	RN12		90M-BW000390R	90M-BW000390R	RES. COMPO.	100R (1608)	CRJ104DJ101T
DSP	RN13		90M-BW000390R	90M-BW000390R	RES. COMPO.	100R (1608)	CRJ104DJ101T
DSP	RN14		90M-BW000390R	90M-BW000390R	RES. COMPO.	100R (1608)	CRJ104DJ101T
DSP	RN15		90M-BW000390R	90M-BW000390R	RES. COMPO.	100R (1608)	CRJ104DJ101T
DSP	RN16		90M-BW000390R	90M-BW000390R	RES. COMPO.	100R (1608)	CRJ104DJ101T
DSP	RN17		90M-BW000390R	90M-BW000390R	RES. COMPO.	100R (1608)	CRJ104DJ101T
DSP	RN18		90M-BW000390R	90M-BW000390R	RES. COMPO.	100R (1608)	CRJ104DJ101T
DSP	RN19		90M-BW000390R	90M-BW000390R	RES. COMPO.	100R (1608)	CRJ104DJ101T
DSP	RY10		90M-LY000380R	90M-LY000380R	RELAY	AXICOM	HSL4C008ZE
DSP	SW10		90M-SP001290R	90M-SP001290R	SW	SPUJ19XSM011	HSB2B018Z
DSP	X101		90M-JX001180R	90M-JX001180R	X'TAL	12288HZ	HOX12288E320TF
DSP	XC11		90M-JX001190R	90M-JX001190R	X'TAL	20MHZ	HOX20000E220TF
<b>FRONT PCB (CUP11759-1)</b>							
FRONT	BK11		nsp	nsp	BRACKET		CMD1A468
FRONT	BK12		nsp	nsp	BRACKET		CMD1A468
FRONT	BN14		nsp	nsp	CORD		CWB1B907370EN
FRONT	BN51		nsp	nsp	CORD		CWB1B907050EN
FRONT	BN52		nsp	nsp	CORD		CWB1B907050EN
FRONT	BN53		nsp	nsp	CORD		CWB1B902550EN
FRONT	C801		nsp	00MOA10701020	ELECT CAP.	100UF 10V	HCEA1AH101T
FRONT	C802		nsp	00MOA10601620	ELECT CAP.	10UF 16V	HCEA1CH100T
FRONT	C804		nsp	nsp	CER. CAP.	0.01UF 50V Z	HCBS1H103ZFT
FRONT	C805		nsp	nsp	CER. CAP.	100PF 50V K	HCBS1H101KBT
FRONT	C806		nsp	00MOA10703520	ELECT CAP.	100UF 35V	HCEA1VH101T
FRONT	C807		nsp	nsp	CER. CAP.	100PF 50V K	HCBS1H101KBT
FRONT	C809		nsp	nsp	CER. CAP.	100PF 50V K	HCBS1H101KBT
FRONT	C810		nsp	nsp	CER. CAP.	100PF 50V K	HCBS1H101KBT
FRONT	C811		nsp	nsp	CER. CAP.	100PF 50V K	HCBS1H101KBT
FRONT	C812		nsp	nsp	CER. CAP.	0.1UF 50V Z	HCBS1H104ZFT
FRONT	C813		nsp	00MOA10701020	ELECT CAP.	100UF 10V	HCEA1AH101T
FRONT	C816		nsp	nsp	CER. CAP.	100PF 50V K	HCBS1H101KBT
FRONT	C817		nsp	nsp	CER. CAP.	100PF 50V K	HCBS1H101KBT
FRONT	C818		nsp	nsp	CER. CAP.	100PF 50V K	HCBS1H101KBT
FRONT	C820		nsp	nsp	CER. CAP.	100PF 50V K	HCBS1H101KBT
FRONT	C821		nsp	90M-EJ000040R	ELECT CAP.	10UF 50V KS	HCEA1HKS100T
FRONT	C822		nsp	nsp	CER. CAP.	100PF 50V K	HCBS1H101KBT
FRONT	C824		nsp	nsp	CER. CAP.	0.1UF 50V Z	HCBS1H104ZFT
FRONT	C825		nsp	nsp	CER. CAP.		HCBS1H391KBT
FRONT	C826		nsp	nsp	CER. CAP.	100PF 50V K	HCBS1H101KBT
FRONT	C827		nsp	nsp	CER. CAP.	100PF 50V K	HCBS1H101KBT
FRONT	C828		nsp	90M-EJ000010R	ELECT CAP.	100UF 10V	HCEA1AKS101T
FRONT	C881		nsp	nsp	CER. CAP.		HCBS1H471KBT
FRONT	C882		nsp	90M-EJ000020R	ELECT CAP.		HCEA1CKS220T
FRONT	C883		nsp	90M-EJ000050R	ELECT CAP.	4.7UF 50V KS	HCEA1HKS4R7T
FRONT	C884		nsp	nsp	CER. CAP.		HCBS1H471KBT
FRONT	C886		nsp	nsp	CER. CAP.	100PF 50V K	HCBS1H101KBT
FRONT	C888		nsp	nsp	CER. CAP.	100PF 50V K	HCBS1H101KBT
FRONT	C891		nsp	90M-EJ000030R	ELECT CAP.	33UF 25V KS	HCEA1EKS330T
FRONT	C892		nsp	nsp	CER. CAP.	100PF 50V K	HCBS1H101KBT
FRONT	C893		nsp	nsp	CER. CAP.	0.1UF 50V Z	HCBS1H104ZFT
FRONT	C894		nsp	nsp	CER. CAP.	0.1UF 50V Z	HCBS1H104ZFT
FRONT	C895		nsp	nsp	CER. CAP.	100PF 50V K	HCBS1H101KBT
FRONT	C896		nsp	90M-EJ000050R	ELECT CAP.	4.7UF 50V KS	HCEA1HKS4R7T
FRONT	C897		nsp	90M-EJ000050R	ELECT CAP.	4.7UF 50V KS	HCEA1HKS4R7T
FRONT	CN15		nsp	nsp	JACK		CJP19GA117ZY
FRONT	D802		90M-HI101040R	90M-HI101040R	L.E.D.	SLR342VCTB7T089	HVD342VCTB7T089
FRONT	D803		90M-HI101080R	90M-HI101080R	L.E.D.		CVDLEBBL3370
FRONT	FIP1		90M-HQ300620R	90M-HQ300620R	DISPLAY	16-BT-110GNK	HFL16BT110GNK
FRONT	IC81		00MHC10220090	00MHC10220090	IC		HVINJU3430F
FRONT	IC85		00MHC10102090	00MHC10102090	IC	NJM2068MD-TE1	HVINJM2068MDTE1
FRONT	J801		nsp	nsp	CONN. CORD	SN95/PB5 , 0.6	C3A206
FRONT	J802		nsp	nsp	CONN. CORD	SN95/PB5 , 0.6	C3A206
FRONT	J804		nsp	nsp	CONN. CORD	SN95/PB5 , 0.6	C3A206

NOTE : "nsp" PART IS LISTED FOR REFERENCE ONLY, MARANTZ WILL NOT SUPPLY THESE PARTS.

P.C.B. NAME	POS. NO.	VERS. COLOR	PART NO. (FOR EUR)	PART NO. (MJI)	PART NAME	DESCRIPTION
FRONT	J805		nsp	nsp	CONN. CORD	SN95/PB5 , 0.6 C3A206
FRONT	J806		nsp	nsp	CONN. CORD	SN95/PB5 , 0.6 C3A206
FRONT	J807		nsp	nsp	CONN. CORD	SN95/PB5 , 0.6 C3A206
FRONT	J808		nsp	nsp	CONN. CORD	SN95/PB5 , 0.6 C3A206
FRONT	J809		nsp	nsp	CONN. CORD	SN95/PB5 , 0.6 C3A206
FRONT	J830		nsp	nsp	CONN. CORD	SN95/PB5 , 0.6 C3A206
FRONT	J832		nsp	nsp	CONN. CORD	SN95/PB5 , 0.6 C3A206
FRONT	J833		nsp	nsp	CONN. CORD	SN95/PB5 , 0.6 C3A206
FRONT	J834		nsp	nsp	CONN. CORD	SN95/PB5 , 0.6 C3A206
FRONT	J835		nsp	nsp	CONN. CORD	SN95/PB5 , 0.6 C3A206
FRONT	J836		nsp	nsp	CONN. CORD	SN95/PB5 , 0.6 C3A206
FRONT	J837		nsp	nsp	CONN. CORD	SN95/PB5 , 0.6 C3A206
FRONT	J838		nsp	nsp	CONN. CORD	SN95/PB5 , 0.6 C3A206
FRONT	J839		nsp	nsp	CONN. CORD	SN95/PB5 , 0.6 C3A206
FRONT	J840		nsp	nsp	CONN. CORD	SN95/PB5 , 0.6 C3A206
FRONT	J845		nsp	nsp	CONN. CORD	SN95/PB5 , 0.6 C3A206
FRONT	J846		nsp	nsp	CONN. CORD	SN95/PB5 , 0.6 C3A206
FRONT	J847		nsp	nsp	CONN. CORD	SN95/PB5 , 0.6 C3A206
FRONT	J848		nsp	nsp	CONN. CORD	SN95/PB5 , 0.6 C3A206
FRONT	J849		nsp	nsp	CONN. CORD	SN95/PB5 , 0.6 C3A206
FRONT	J861		nsp	nsp	CONN. CORD	SN95/PB5 , 0.6 C3A206
FRONT	J862		nsp	nsp	CONN. CORD	SN95/PB5 , 0.6 C3A206
FRONT	J863		nsp	nsp	CONN. CORD	SN95/PB5 , 0.6 C3A206
FRONT	J866		nsp	nsp	CONN. CORD	SN95/PB5 , 0.6 C3A206
FRONT	J867		nsp	nsp	CONN. CORD	SN95/PB5 , 0.6 C3A206
FRONT	J868		nsp	nsp	CONN. CORD	SN95/PB5 , 0.6 C3A206
FRONT	J869		nsp	nsp	CONN. CORD	SN95/PB5 , 0.6 C3A206
FRONT	J870		nsp	nsp	CONN. CORD	SN95/PB5 , 0.6 C3A206
FRONT	J876		nsp	nsp	CONN. CORD	SN95/PB5 , 0.6 C3A206
FRONT	J877		nsp	nsp	CONN. CORD	SN95/PB5 , 0.6 C3A206
FRONT	JK82		90M-YT004320R	90M-YT004320R	TERMINAL	HJJ2D003Z
FRONT	JW11		nsp	nsp	CORD	CWE8102180RV
FRONT	JW12		nsp	nsp	CORD	CWE8102050RV
FRONT	JW13		nsp	nsp	CORD	CWE8102150RV
FRONT	Q801		00MBA10001000	00MBA10001000	TRS.	KRA102M HVTKRA102MT
FRONT	Q803		00MHT30001000	00MHT30001000	TRS.	HVTKTC3199YT
FRONT	Q808		00MBA20001000	00MBA20001000	TRS.	KRC102M HVTKRC102MT
FRONT	Q809		00MBA10001000	00MBA10001000	TRS.	KRA102M HVTKRA102MT
FRONT	R805		nsp	nsp	RES.	100 OHM 1/5W J CRD20TJ101T
FRONT	R810		nsp	nsp	RES.	5.6K OHM 1/5W J CRD20TJ562T
FRONT	R811		nsp	nsp	RES.	2.7K OHM 1/5W J CRD20TJ272T
FRONT	R812		nsp	nsp	RES.	2.2K OHM 1/5W J CRD20TJ222T
FRONT	R813		nsp	nsp	RES.	1.5K OHM 1/5W J CRD20TJ152T
FRONT	R814		nsp	nsp	RES.	1K OHM 1/5W J CRD20TJ102T
FRONT	R815		nsp	nsp	RES.	820 OHM 1/5W J CRD20TJ821T
FRONT	R816		nsp	nsp	RES.	560 OHM 1/5W J CRD20TJ561T
FRONT	R817		nsp	nsp	RES.	680 OHM 1/5W J CRD20TJ681T
FRONT	R818		nsp	nsp	RES.	5.6K OHM 1/5W J CRD20TJ562T
FRONT	R819		nsp	nsp	RES.	2.7K OHM 1/5W J CRD20TJ272T
FRONT	R820		nsp	nsp	RES.	2.2K OHM 1/5W J CRD20TJ222T
FRONT	R821		nsp	nsp	RES.	1.5K OHM 1/5W J CRD20TJ152T
FRONT	R822		nsp	nsp	RES.	1K OHM 1/5W J CRD20TJ102T
FRONT	R823		nsp	nsp	RES.	820 OHM 1/5W J CRD20TJ821T
FRONT	R824		nsp	nsp	RES.	560 OHM 1/5W J CRD20TJ561T
FRONT	R825		nsp	nsp	RES.	680 OHM 1/5W J CRD20TJ681T
FRONT	R826		nsp	nsp	RES.	5.6K OHM 1/5W J CRD20TJ562T
FRONT	R827		nsp	nsp	RES.	2.7K OHM 1/5W J CRD20TJ272T
FRONT	R828		nsp	nsp	RES.	2.2K OHM 1/5W J CRD20TJ222T
FRONT	R829		nsp	nsp	RES.	1.5K OHM 1/5W J CRD20TJ152T
FRONT	R830		nsp	nsp	RES.	1K OHM 1/5W J CRD20TJ102T
FRONT	R831		nsp	nsp	RES.	10K OHM 1/5W J CRD20TJ103T
FRONT	R833		nsp	nsp	RES.	68K OHM 1/5W J CRD20TJ683T
FRONT	R845		nsp	nsp	RES.	100 OHM 1/5W J CRD20TJ101T
FRONT	R876		nsp	nsp	RES.	820 OHM 1/5W J CRD20TJ821T
FRONT	R877		nsp	nsp	RES.	560 OHM 1/5W J CRD20TJ561T
FRONT	R879		nsp	nsp	RES.	680 OHM 1/5W J CRD20TJ681T

NOTE : "nsp" PART IS LISTED FOR REFERENCE ONLY, MARANTZ WILL NOT SUPPLY THESE PARTS.

P.C.B. NAME	POS. NO.	VERS. COLOR	PART NO. (FOR EUR)	PART NO. (MJI)	PART NAME	DESCRIPTION
FRONT	R901		nsp	nsp	RES.	10K OHM 1/5W J CRD20TJ103T
FRONT	R902		nsp	nsp	RES.	10K OHM 1/5W J CRD20TJ103T
FRONT	R903		nsp	nsp	RES.	10K OHM 1/5W J CRD20TJ103T
FRONT	R904		nsp	nsp	RES.	10K OHM 1/5W J CRD20TJ103T
FRONT	R905		nsp	nsp	RES.	10K OHM 1/5W J CRD20TJ103T
FRONT	R906		nsp	nsp	RES.	10K OHM 1/5W J CRD20TJ103T
FRONT	R907		nsp	nsp	RES.	10K OHM 1/5W J CRD20TJ103T
FRONT	R908		nsp	nsp	RES.	10K OHM 1/5W J CRD20TJ103T
FRONT	R909		nsp	nsp	RES.	10K OHM 1/5W J CRD20TJ103T
FRONT	R910		nsp	nsp	RES.	10K OHM 1/5W J CRD20TJ103T
FRONT	R911		nsp	nsp	RES.	10K OHM 1/5W J CRD20TJ103T
FRONT	R912		nsp	nsp	RES.	10K OHM 1/5W J CRD20TJ103T
FRONT	R913		nsp	nsp	RES.	10K OHM 1/5W J CRD20TJ103T
FRONT	R914		nsp	nsp	RES.	10K OHM 1/5W J CRD20TJ103T
FRONT	R915		nsp	nsp	RES.	10K OHM 1/5W J CRD20TJ103T
FRONT	R916		nsp	nsp	RES.	10K OHM 1/5W J CRD20TJ103T
FRONT	R917		nsp	nsp	RES.	47K OHM 1/5W J CRD20TJ473T
FRONT	R918		nsp	nsp	RES.	47K OHM 1/5W J CRD20TJ473T
FRONT	R919		nsp	nsp	RES.	47K OHM 1/5W J CRD20TJ473T
FRONT	R920		nsp	nsp	RES.	47K OHM 1/5W J CRD20TJ473T
FRONT	R921		nsp	nsp	RES.	47K OHM 1/5W J CRD20TJ473T
FRONT	R922		nsp	nsp	RES.	47K OHM 1/5W J CRD20TJ473T
FRONT	R923		nsp	nsp	RES.	47K OHM 1/5W J CRD20TJ473T
FRONT	R924		nsp	nsp	RES.	47K OHM 1/5W J CRD20TJ473T
FRONT	R925		nsp	nsp	RES.	47K OHM 1/5W J CRD20TJ473T
FRONT	R926		nsp	nsp	RES.	47K OHM 1/5W J CRD20TJ473T
FRONT	R927		nsp	nsp	RES.	47K OHM 1/5W J CRD20TJ473T
FRONT	R928		nsp	nsp	RES.	47K OHM 1/5W J CRD20TJ473T
FRONT	R929		nsp	nsp	RES.	47K OHM 1/5W J CRD20TJ473T
FRONT	R930		nsp	nsp	RES.	47K OHM 1/5W J CRD20TJ473T
FRONT	R931		nsp	nsp	RES.	47K OHM 1/5W J CRD20TJ473T
FRONT	R932		nsp	nsp	RES.	47K OHM 1/5W J CRD20TJ473T
FRONT	R933		nsp	nsp	RES.	47K OHM 1/5W J CRD20TJ473T
FRONT	R934		nsp	nsp	RES.	47K OHM 1/5W J CRD20TJ473T
FRONT	R935		nsp	nsp	RES.	47K OHM 1/5W J CRD20TJ473T
FRONT	R936		nsp	nsp	RES.	47K OHM 1/5W J CRD20TJ473T
FRONT	R937		nsp	nsp	RES.	47K OHM 1/5W J CRD20TJ473T
FRONT	R938		nsp	nsp	RES.	47K OHM 1/5W J CRD20TJ473T
FRONT	R939		nsp	nsp	RES.	47K OHM 1/5W J CRD20TJ473T
FRONT	R940		nsp	nsp	RES.	47K OHM 1/5W J CRD20TJ473T
FRONT	R941		nsp	nsp	RES.	47K OHM 1/5W J CRD20TJ473T
FRONT	R942		nsp	nsp	RES.	47K OHM 1/5W J CRD20TJ473T
FRONT	R943		nsp	nsp	RES.	47K OHM 1/5W J CRD20TJ473T
FRONT	R944		nsp	nsp	RES.	47K OHM 1/5W J CRD20TJ473T
FRONT	R945		nsp	nsp	RES.	47K OHM 1/5W J CRD20TJ473T
FRONT	R946		nsp	nsp	RES.	47K OHM 1/5W J CRD20TJ473T
FRONT	R947		nsp	nsp	RES.	47K OHM 1/5W J CRD20TJ473T
FRONT	R948		nsp	nsp	RES.	47K OHM 1/5W J CRD20TJ473T
FRONT	R949		nsp	nsp	RES.	47K OHM 1/5W J CRD20TJ473T
FRONT	R950		nsp	nsp	RES.	47K OHM 1/5W J CRD20TJ473T
FRONT	R951		nsp	nsp	RES.	47K OHM 1/5W J CRD20TJ473T
FRONT	R952		nsp	nsp	RES.	47K OHM 1/5W J CRD20TJ473T
FRONT	R953		nsp	nsp	RES.	47K OHM 1/5W J CRD20TJ473T
FRONT	R971		nsp	nsp	RES.	270 OHM 1/5W J CRD20TJ271T
FRONT	R972		nsp	nsp	RES.	220 OHM 1/5W J CRD20TJ221T
FRONT	R973		nsp	nsp	RES.	47K OHM 1/5W J CRD20TJ473T
FRONT	R974		nsp	nsp	RES.	220 OHM 1/5W J CRD20TJ221T
FRONT	R975		nsp	nsp	RES.	220 OHM 1/5W J CRD20TJ221T
FRONT	R976		nsp	nsp	RES.	47K OHM 1/5W J CRD20TJ473T
FRONT	R977		nsp	nsp	RES.	4.7K OHM 1/5W J CRD20TJ472T
FRONT	R978		nsp	nsp	RES.	470 OHM 1/5W J CRD20TJ471T
FRONT	R981		nsp	nsp	RES.	10K OHM 1/5W J CRD20TJ103T
FRONT	R982		nsp	nsp	RES.	2.2K OHM 1/5W J CRD20TJ222T
FRONT	R984		nsp	nsp	RES.	2.2K OHM 1/5W J CRD20TJ222T
FRONT	R985		nsp	nsp	RES.	2.2K OHM 1/5W J CRD20TJ222T
FRONT	R986		nsp	nsp	RES.	12K OHM 1/5W J CRD20TJ123T

NOTE : "nsp" PART IS LISTED FOR REFERENCE ONLY, MARANTZ WILL NOT SUPPLY THESE PARTS.



P.C.B. NAME	POS. NO.	VERS. COLOR	PART NO. (FOR EUR)	PART NO. (MJI)	PART NAME	DESCRIPTION
FRONT	R987		nsp	nsp	RES.	10K OHM 1/5W J CRD20TJ103T
FRONT	R988		nsp	nsp	RES.	10K OHM 1/5W J CRD20TJ103T
FRONT	R989		nsp	nsp	RES.	150 OHM 1/5W J CRD20TJ151T
FRONT	RC81		90M-HW100650R	90M-HW100650R	PHOTO UNIT	RPM6936-H4 HRVRPM6936H4
FRONT	SW71		90M-SP001210R	90M-SP001210R	SW	00802-0005 CST1A012ZT
FRONT	SW72		90M-SP001210R	90M-SP001210R	SW	00802-0005 CST1A012ZT
FRONT	SW73		90M-SP001210R	90M-SP001210R	SW	00802-0005 CST1A012ZT
FRONT	SW74		90M-SP001210R	90M-SP001210R	SW	00802-0005 CST1A012ZT
FRONT	SW76		90M-SP001210R	90M-SP001210R	SW	00802-0005 CST1A012ZT
FRONT	SW77		90M-SP001210R	90M-SP001210R	SW	00802-0005 CST1A012ZT
FRONT	SW79		90M-SP001210R	90M-SP001210R	SW	00802-0005 CST1A012ZT
FRONT	SW81		90M-SP001210R	90M-SP001210R	SW	00802-0005 CST1A012ZT
FRONT	SW82		90M-SP001210R	90M-SP001210R	SW	00802-0005 CST1A012ZT
FRONT	SW83		90M-SP001210R	90M-SP001210R	SW	00802-0005 CST1A012ZT
FRONT	SW84		90M-SP001210R	90M-SP001210R	SW	00802-0005 CST1A012ZT
FRONT	SW85		90M-SP001210R	90M-SP001210R	SW	00802-0005 CST1A012ZT
FRONT	SW87		90M-SP001210R	90M-SP001210R	SW	00802-0005 CST1A012ZT
FRONT	SW88		90M-SP001210R	90M-SP001210R	SW	00802-0005 CST1A012ZT
FRONT	SW89		90M-SP001210R	90M-SP001210R	SW	00802-0005 CST1A012ZT
FRONT	SW90		90M-SP001210R	90M-SP001210R	SW	00802-0005 CST1A012ZT
FRONT	SW91		90M-SP001210R	90M-SP001210R	SW	00802-0005 CST1A012ZT
FRONT	SW92		90M-SP001210R	90M-SP001210R	SW	00802-0005 CST1A012ZT
FRONT	SW94		90M-SP001210R	90M-SP001210R	SW	00802-0005 CST1A012ZT
FRONT	SW95		90M-SP001210R	90M-SP001210R	SW	00802-0005 CST1A012ZT
FRONT	SW96		90M-SP001210R	90M-SP001210R	SW	00802-0005 CST1A012ZT
					<b>H/P PCB (CUP11769-4)</b>	
H/P	BN17		nsp	nsp	CORD	CWB1C905370EN
H/P	C874		nsp	nsp	CER. CAP.	100PF 50V KB CCKT1H101KB
H/P	C875		nsp	nsp	CER. CAP.	100PF 50V KB CCKT1H101KB
H/P	C876		nsp	nsp	CER. CAP.	0.1UF 50V Z HCBS1H104ZFT
H/P	JK81		90M-YT003160R	90M-YT003160R	TERMINAL	CJJ2E020Z
H/P	JW22		nsp	nsp	CORD	CWE8102050RV
H/P	R846		nsp	nsp	RES.	4.7K OHM 1/5W J CRD20TJ472T
H/P	R847		nsp	nsp	RES.	470 OHM 1/5W J CRD20TJ471T
					<b>INPUT PCB (CUP11761)</b>	
INPUT	BN11		nsp	nsp	CORD	CWB1B907230EN
INPUT	BN19		nsp	nsp	CORD	CWB1B904150EN
INPUT	BN30		nsp	nsp	CORD	CWB1C912150EN
INPUT	BN32	/A1B	nsp	nsp	CORD	CWB1B903100EN
INPUT	BN32	/A1S	nsp	nsp	CORD	CWB1B903100EN
INPUT	BN32	/F1N	nsp	nsp	CORD	CWB1B903250EN
INPUT	BN32	/K1G	nsp	nsp	CORD	CWB1B903100EN
INPUT	BN32	/L1G	nsp	nsp	CORD	CWB1B903100EN
INPUT	BN32	/N1B	nsp	nsp	CORD	CWB1B903100EN
INPUT	BN32	/N1G	nsp	nsp	CORD	CWB1B903100EN
INPUT	BN32	/N1S	nsp	nsp	CORD	CWB1B903100EN
INPUT	BN32	/U1B	nsp	nsp	CORD	CWB1B903100EN
INPUT	BN47		nsp	nsp	CORD	CWB1C906100EN
INPUT	C201		nsp	nsp	CER. CAP.	470PF 50V KB CCKT1H471KB
INPUT	C202		nsp	nsp	CER. CAP.	470PF 50V KB CCKT1H471KB
INPUT	C203		nsp	nsp	CER. CAP.	470PF 50V KB CCKT1H471KB
INPUT	C204		nsp	nsp	CER. CAP.	470PF 50V KB CCKT1H471KB
INPUT	C205		nsp	nsp	CER. CAP.	470PF 50V KB CCKT1H471KB
INPUT	C206		nsp	nsp	CER. CAP.	470PF 50V KB CCKT1H471KB
INPUT	C207		nsp	nsp	CER. CAP.	470PF 50V KB CCKT1H471KB
INPUT	C208		nsp	nsp	CER. CAP.	470PF 50V KB CCKT1H471KB
INPUT	C209		nsp	nsp	CER. CAP.	470PF 50V KB CCKT1H471KB
INPUT	C210		nsp	nsp	CER. CAP.	470PF 50V KB CCKT1H471KB
INPUT	C211		nsp	nsp	CER. CAP.	470PF 50V KB CCKT1H471KB
INPUT	C212		nsp	nsp	CER. CAP.	470PF 50V KB CCKT1H471KB
INPUT	C213		nsp	nsp	CER. CAP.	470PF 50V KB CCKT1H471KB
INPUT	C214		nsp	nsp	CER. CAP.	470PF 50V KB CCKT1H471KB
INPUT	C215		nsp	nsp	CER. CAP.	470PF 50V KB CCKT1H471KB
INPUT	C216		nsp	nsp	CER. CAP.	470PF 50V KB CCKT1H471KB
INPUT	C217		nsp	nsp	CER. CAP.	470PF 50V KB CCKT1H471KB
INPUT	C218		nsp	nsp	CER. CAP.	470PF 50V KB CCKT1H471KB

NOTE : "nsp" PART IS LISTED FOR REFERENCE ONLY, MARANTZ WILL NOT SUPPLY THESE PARTS.

P.C.B. NAME	POS. NO.	VERS. COLOR	PART NO. (FOR EUR)	PART NO. (MJI)	PART NAME	DESCRIPTION
INPUT	C219		nsp	nsp	CER. CAP.	470PF 50V KB CCKT1H471KB
INPUT	C220		nsp	nsp	CER. CAP.	470PF 50V KB CCKT1H471KB
INPUT	C221		nsp	nsp	CER. CAP.	470PF 50V KB CCKT1H471KB
INPUT	C222		nsp	nsp	CER. CAP.	470PF 50V KB CCKT1H471KB
INPUT	C223		nsp	00MOA10605020	ELECT CAP.	10UF 50V HCEA1HH100T
INPUT	C224		nsp	00MOA10605020	ELECT CAP.	10UF 50V HCEA1HH100T
INPUT	C225		nsp	00MOA10605020	ELECT CAP.	10UF 50V HCEA1HH100T
INPUT	C226		nsp	00MOA10605020	ELECT CAP.	10UF 50V HCEA1HH100T
INPUT	C227		nsp	00MOA10605020	ELECT CAP.	10UF 50V HCEA1HH100T
INPUT	C228		nsp	00MOA10605020	ELECT CAP.	10UF 50V HCEA1HH100T
INPUT	C229		nsp	00MOA10605020	ELECT CAP.	10UF 50V HCEA1HH100T
INPUT	C230		nsp	00MOA10605020	ELECT CAP.	10UF 50V HCEA1HH100T
INPUT	C231		nsp	nsp	CER. CAP.	470PF 50V KB CCKT1H471KB
INPUT	C232		nsp	nsp	CER. CAP.	470PF 50V KB CCKT1H471KB
INPUT	C233		nsp	nsp	CER. CAP.	470PF 50V KB CCKT1H471KB
INPUT	C234		nsp	nsp	CER. CAP.	470PF 50V KB CCKT1H471KB
INPUT	C235		nsp	nsp	CER. CAP.	470PF 50V KB CCKT1H471KB
INPUT	C236		nsp	nsp	CER. CAP.	470PF 50V KB CCKT1H471KB
INPUT	C237		nsp	nsp	CER. CAP.	470PF 50V KB CCKT1H471KB
INPUT	C238		nsp	00MOA10605020	ELECT CAP.	10UF 50V HCEA1HH100T
INPUT	C239		nsp	00MOA10605020	ELECT CAP.	10UF 50V HCEA1HH100T
INPUT	C240		nsp	00MOA10605020	ELECT CAP.	10UF 50V HCEA1HH100T
INPUT	C241		nsp	00MOA10605020	ELECT CAP.	10UF 50V HCEA1HH100T
INPUT	C242		nsp	00MOA10605020	ELECT CAP.	10UF 50V HCEA1HH100T
INPUT	C243		nsp	00MOA10605020	ELECT CAP.	10UF 50V HCEA1HH100T
INPUT	C244		nsp	00MOA10605020	ELECT CAP.	10UF 50V HCEA1HH100T
INPUT	C245		nsp	nsp	CER. CAP.	50V 0.1UF CCKT1H104ZF
INPUT	C246		nsp	nsp	CER. CAP.	50V 0.1UF CCKT1H104ZF
INPUT	C247		nsp	nsp	CER. CAP.	50V 0.1UF CCKT1H104ZF
INPUT	C248		nsp	nsp	CER. CAP.	50V 0.1UF CCKT1H104ZF
INPUT	C249		nsp	nsp	CER. CAP.	50V 0.1UF CCKT1H104ZF
INPUT	C250		nsp	nsp	CER. CAP.	50V 0.1UF CCKT1H104ZF
INPUT	C251		nsp	nsp	CER. CAP.	50V 0.1UF CCKT1H104ZF
INPUT	C252		nsp	nsp	CER. CAP.	50V 0.1UF CCKT1H104ZF
INPUT	C254		nsp	00MOA10605020	ELECT CAP.	10UF 50V HCEA1HH100T
INPUT	C256		nsp	00MOA10605020	ELECT CAP.	10UF 50V HCEA1HH100T
INPUT	C258		nsp	00MOA10605020	ELECT CAP.	10UF 50V HCEA1HH100T
INPUT	C260		nsp	00MOA10605020	ELECT CAP.	10UF 50V HCEA1HH100T
INPUT	C262		nsp	00MOA10605020	ELECT CAP.	10UF 50V HCEA1HH100T
INPUT	C264		nsp	00MOA10605020	ELECT CAP.	10UF 50V HCEA1HH100T
INPUT	C266		nsp	00MOA10605020	ELECT CAP.	10UF 50V HCEA1HH100T
INPUT	C267		nsp	nsp	CER. CAP.	50V 0.1UF CCKT1H104ZF
INPUT	C268		nsp	nsp	CER. CAP.	50V 0.1UF CCKT1H104ZF
INPUT	C269		nsp	nsp	CER. CAP.	100PF 50V KB CCKT1H101KB
INPUT	C270		nsp	nsp	CER. CAP.	50V 0.1UF CCKT1H104ZF
INPUT	C271		nsp	nsp	CER. CAP.	50V 0.1UF CCKT1H104ZF
INPUT	C272		nsp	nsp	CER. CAP.	100PF 50V KB CCKT1H101KB
INPUT	C273		nsp	nsp	CER. CAP.	50V 0.1UF CCKT1H104ZF
INPUT	C274		nsp	nsp	CER. CAP.	50V 0.1UF CCKT1H104ZF
INPUT	C275		nsp	nsp	CER. CAP.	50V 0.1UF CCKT1H104ZF
INPUT	C276		nsp	nsp	CER. CAP.	50V 0.1UF CCKT1H104ZF
INPUT	C281		nsp	00MOA10605020	ELECT CAP.	10UF 50V HCEA1HH100T
INPUT	C282		nsp	00MOA10605020	ELECT CAP.	10UF 50V HCEA1HH100T
INPUT	C283		nsp	00MOA10605020	ELECT CAP.	10UF 50V HCEA1HH100T
INPUT	C284		nsp	00MOA10605020	ELECT CAP.	10UF 50V HCEA1HH100T
INPUT	C285		nsp	00MOA10605020	ELECT CAP.	10UF 50V HCEA1HH100T
INPUT	C286		nsp	00MOA10605020	ELECT CAP.	10UF 50V HCEA1HH100T
INPUT	C287		nsp	00MOA10605020	ELECT CAP.	10UF 50V HCEA1HH100T
INPUT	C288		nsp	00MOA10605020	ELECT CAP.	10UF 50V HCEA1HH100T
INPUT	C289		nsp	nsp	CER. CAP.	50V 0.1UF CCKT1H104ZF
INPUT	C290		nsp	nsp	CER. CAP.	50V 0.1UF CCKT1H104ZF
INPUT	C291		nsp	nsp	CER. CAP.	100PF 50V KB CCKT1H101KB
INPUT	C311		nsp	00MOA10605020	ELECT CAP.	10UF 50V HCEA1HH100T
INPUT	C312		nsp	nsp	CER. CAP.	10PF 50V DC CCCT1H100DC
INPUT	C324		nsp	nsp	CER. CAP.	50V 0.1UF CCKT1H104ZF
INPUT	C325		nsp	nsp	CER. CAP.	50V 0.1UF CCKT1H104ZF

NOTE : "nsp" PART IS LISTED FOR REFERENCE ONLY, MARANTZ WILL NOT SUPPLY THESE PARTS.

P.C.B. NAME	POS. NO.	VERS. COLOR	PART NO. (FOR EUR)	PART NO. (MJI)	PART NAME	DESCRIPTION
INPUT	C326		nsp	00MOA10605020	ELECT CAP.	10UF 50V HCEA1HH100T
INPUT	C337		nsp	00MOA22605020	ELECT CAP.	22UF 50V HCEA1HH220T
INPUT	C338		nsp	00MOA22605020	ELECT CAP.	22UF 50V HCEA1HH220T
INPUT	C339		nsp	nsp	CER. CAP.	33PF 50V JC CCCT1H330JC
INPUT	C340		nsp	nsp	CER. CAP.	50V 0.1UF CCKT1H104ZF
INPUT	C341		nsp	nsp	CER. CAP.	50V 0.1UF CCKT1H104ZF
INPUT	C343		nsp	nsp	CER. CAP.	22PF 50V JC CCCT1H220JC
INPUT	C344		nsp	nsp	CER. CAP.	33PF 50V JC CCCT1H330JC
INPUT	C345		nsp	00MOA22605020	ELECT CAP.	22UF 50V HCEA1HH220T
INPUT	C346		nsp	nsp	CER. CAP.	50V 0.1UF CCKT1H104ZF
INPUT	C347		nsp	nsp	CER. CAP.	50V 0.1UF CCKT1H104ZF
INPUT	C348		nsp	nsp	CER. CAP.	22PF 50V JC CCCT1H220JC
INPUT	C349		nsp	00MOA22605020	ELECT CAP.	22UF 50V HCEA1HH220T
INPUT	C354		nsp	nsp	CER. CAP.	100PF 50V KB CCKT1H101KB
INPUT	C355		nsp	nsp	CER. CAP.	100PF 50V KB CCKT1H101KB
INPUT	C356		nsp	nsp	CER. CAP.	100PF 50V KB CCKT1H101KB
INPUT	C357		nsp	nsp	CER. CAP.	100PF 50V KB CCKT1H101KB
INPUT	C364		nsp	nsp	CER. CAP.	50V 0.1UF CCKT1H104ZF
INPUT	C365		nsp	nsp	CER. CAP.	50V 0.1UF CCKT1H104ZF
INPUT	C366		nsp	nsp	CER. CAP.	50V 0.1UF CCKT1H104ZF
INPUT	C368		nsp	nsp	CER. CAP.	50V 0.1UF CCKT1H104ZF
INPUT	C369		nsp	00MOA10702520	ELECT CAP.	100UF 25V HCEA1EH101T
INPUT	C370		nsp	00MOA10702520	ELECT CAP.	100UF 25V HCEA1EH101T
INPUT	C371		nsp	00MOA10701620	ELECT CAP.	100UF 16V HCEA1CH101T
INPUT	C373		nsp	00MOA10701620	ELECT CAP.	100UF 16V HCEA1CH101T
INPUT	C377		nsp	nsp	CER. CAP.	470PF 50V KB CCKT1H471KB
INPUT	C378		nsp	nsp	CER. CAP.	470PF 50V KB CCKT1H471KB
INPUT	C379		nsp	00MOA10605020	ELECT CAP.	10UF 50V HCEA1HH100T
INPUT	C380		nsp	00MOA10605020	ELECT CAP.	10UF 50V HCEA1HH100T
INPUT	C381		nsp	nsp	CER. CAP.	50V 0.1UF CCKT1H104ZF
INPUT	C382		nsp	nsp	CER. CAP.	50V 0.1UF CCKT1H104ZF
INPUT	C386		nsp	nsp	CER. CAP.	0.01UF 50V ZF CCKT1H103ZF
INPUT	C387		nsp	nsp	CER. CAP.	0.01UF 50V ZF CCKT1H103ZF
INPUT	C389		nsp	nsp	CER. CAP.	0.01UF 50V ZF CCKT1H103ZF
INPUT	C390		nsp	nsp	CER. CAP.	0.01UF 50V ZF CCKT1H103ZF
INPUT	C403		nsp	nsp	CER. CAP.	470PF 50V KB CCKT1H471KB
INPUT	C404		nsp	00MOA10605020	ELECT CAP.	10UF 50V HCEA1HH100T
INPUT	C406		nsp	00MOA10605020	ELECT CAP.	10UF 50V HCEA1HH100T
INPUT	C407		nsp	nsp	CER. CAP.	50V 0.1UF CCKT1H104ZF
INPUT	C408		nsp	00MOA10605020	ELECT CAP.	10UF 50V HCEA1HH100T
INPUT	C409		nsp	00MOA10605020	ELECT CAP.	10UF 50V HCEA1HH100T
INPUT	C412		nsp	00MOA10605020	ELECT CAP.	10UF 50V HCEA1HH100T
INPUT	C413		nsp	00MOA10605020	ELECT CAP.	10UF 50V HCEA1HH100T
INPUT	C414		nsp	nsp	CER. CAP.	50V 0.1UF CCKT1H104ZF
INPUT	C434		nsp	nsp	CER. CAP.	100PF 50V KB CCKT1H101KB
INPUT	C435		nsp	nsp	CER. CAP.	50V 0.1UF CCKT1H104ZF
INPUT	C436		nsp	nsp	CER. CAP.	50V 0.1UF CCKT1H104ZF
INPUT	C437		nsp	00MOA22605020	ELECT CAP.	22UF 50V HCEA1HH220T
INPUT	C438		nsp	00MOA22605020	ELECT CAP.	22UF 50V HCEA1HH220T
INPUT	C441		nsp	00MOA47602520	ELECT CAP.	47UF 25V HCEA1EH470T
INPUT	C442		nsp	00MOA47602520	ELECT CAP.	47UF 25V HCEA1EH470T
INPUT	C443		nsp	nsp	CER. CAP.	50V 0.1UF CCKT1H104ZF
INPUT	C444		nsp	nsp	CER. CAP.	50V 0.1UF CCKT1H104ZF
INPUT	C445		nsp	00MOA22605020	ELECT CAP.	22UF 50V HCEA1HH220T
INPUT	C446		nsp	00MOA22605020	ELECT CAP.	22UF 50V HCEA1HH220T
INPUT	C449		nsp	00MOA47602520	ELECT CAP.	47UF 25V HCEA1EH470T
INPUT	C450		nsp	00MOA47602520	ELECT CAP.	47UF 25V HCEA1EH470T
INPUT	C451		nsp	nsp	CER. CAP.	50V 0.1UF CCKT1H104ZF
INPUT	C452		nsp	nsp	CER. CAP.	50V 0.1UF CCKT1H104ZF
INPUT	C453		nsp	00MOA22605020	ELECT CAP.	22UF 50V HCEA1HH220T
INPUT	C454		nsp	00MOA22605020	ELECT CAP.	22UF 50V HCEA1HH220T
INPUT	C457		nsp	00MOA47602520	ELECT CAP.	47UF 25V HCEA1EH470T
INPUT	C458		nsp	00MOA47602520	ELECT CAP.	47UF 25V HCEA1EH470T
INPUT	C459		nsp	nsp	CER. CAP.	50V 0.1UF CCKT1H104ZF
INPUT	C460		nsp	nsp	CER. CAP.	50V 0.1UF CCKT1H104ZF
INPUT	C461		nsp	00MOA22605020	ELECT CAP.	22UF 50V HCEA1HH220T

NOTE : "nsp" PART IS LISTED FOR REFERENCE ONLY, MARANTZ WILL NOT SUPPLY THESE PARTS.

P.C.B. NAME	POS. NO.	VERS. COLOR	PART NO. (FOR EUR)	PART NO. (MJI)	PART NAME	DESCRIPTION
INPUT	C462		nsp	00MOA22605020	ELECT CAP.	22UF 50V HCEA1HH220T
INPUT	C465		nsp	00MOA47602520	ELECT CAP.	47UF 25V HCEA1EH470T
INPUT	C466		nsp	00MOA47602520	ELECT CAP.	47UF 25V HCEA1EH470T
INPUT	C467		nsp	nsp	CER. CAP.	50V 0.1UF CCKT1H104ZF
INPUT	C468		nsp	nsp	CER. CAP.	50V 0.1UF CCKT1H104ZF
INPUT	C469		nsp	00MOA22605020	ELECT CAP.	22UF 50V HCEA1HH220T
INPUT	C470		nsp	00MOA22605020	ELECT CAP.	22UF 50V HCEA1HH220T
INPUT	C473		nsp	00MOA47602520	ELECT CAP.	47UF 25V HCEA1EH470T
INPUT	C474		nsp	00MOA47602520	ELECT CAP.	47UF 25V HCEA1EH470T
INPUT	CN27		nsp	nsp	JACK	GF120-17S-TS KJP17GA115ZG
INPUT	CN48		nsp	nsp	JACK	CJP23GA117ZY
INPUT	ET21		nsp	nsp	TERMINAL	CNE75
INPUT	IC21		00MHC10470050	00MHC10470050	IC	TC9164AN HVITC9164AN
INPUT	IC22		00MHC10468050	00MHC10468050	IC	TC9273N HVITC9273N
INPUT	IC23		00MHC10469050	00MHC10469050	IC	TC9162AN HVITC9162AN
INPUT	IC28		00MHC10053090	00MHC10053090	IC	NJM2068DD HVINJM2068DD
INPUT	IC29		00MHC10053090	00MHC10053090	IC	NJM2068DD HVINJM2068DD
INPUT	IC30		00MHC10053090	00MHC10053090	IC	NJM2068DD HVINJM2068DD
INPUT	IC31		00MHC10053090	00MHC10053090	IC	NJM2068DD HVINJM2068DD
INPUT	IC32		00MHC10053090	00MHC10053090	IC	NJM2068DD HVINJM2068DD
INPUT	IC33		00MHC10053090	00MHC10053090	IC	NJM2068DD HVINJM2068DD
INPUT	IC35		00MHC10053090	00MHC10053090	IC	NJM2068DD HVINJM2068DD
INPUT	IC37		00MHC10053090	00MHC10053090	IC	NJM2068DD HVINJM2068DD
INPUT	IC38		00MHC10468050	00MHC10468050	IC	TC9273N HVITC9273N
INPUT	IC39		00MHC10053090	00MHC10053090	IC	NJM2068DD HVINJM2068DD
INPUT	IC40		00MHC10053090	00MHC10053090	IC	NJM2068DD HVINJM2068DD
INPUT	IC41		00MHC10053090	00MHC10053090	IC	NJM2068DD HVINJM2068DD
INPUT	IC42		00MHC10053090	00MHC10053090	IC	NJM2068DD HVINJM2068DD
INPUT	IC43		00MHC10053090	00MHC10053090	IC	NJM2068DD HVINJM2068DD
INPUT	IC44		00MHC10053090	00MHC10053090	IC	NJM2068DD HVINJM2068DD
INPUT	IC45		00MHC10053090	00MHC10053090	IC	NJM2068DD HVINJM2068DD
INPUT	J201		nsp	nsp	CONN. CORD	SN95/PB5 , 0.6 C3A206
INPUT	J202		nsp	nsp	CONN. CORD	SN95/PB5 , 0.6 C3A206
INPUT	J203		nsp	nsp	CONN. CORD	SN95/PB5 , 0.6 C3A206
INPUT	J204		nsp	nsp	CONN. CORD	SN95/PB5 , 0.6 C3A206
INPUT	J205		nsp	nsp	CONN. CORD	SN95/PB5 , 0.6 C3A206
INPUT	J206		nsp	nsp	CONN. CORD	SN95/PB5 , 0.6 C3A206
INPUT	J207		nsp	nsp	CONN. CORD	SN95/PB5 , 0.6 C3A206
INPUT	J208		nsp	nsp	CONN. CORD	SN95/PB5 , 0.6 C3A206
INPUT	J209		nsp	nsp	CONN. CORD	SN95/PB5 , 0.6 C3A206
INPUT	J210		nsp	nsp	CONN. CORD	SN95/PB5 , 0.6 C3A206
INPUT	J211		nsp	nsp	CONN. CORD	SN95/PB5 , 0.6 C3A206
INPUT	J212		nsp	nsp	CONN. CORD	SN95/PB5 , 0.6 C3A206
INPUT	J213		nsp	nsp	CONN. CORD	SN95/PB5 , 0.6 C3A206
INPUT	J214		nsp	nsp	CONN. CORD	SN95/PB5 , 0.6 C3A206
INPUT	J215		nsp	nsp	CONN. CORD	SN95/PB5 , 0.6 C3A206
INPUT	J216		nsp	nsp	CONN. CORD	SN95/PB5 , 0.6 C3A206
INPUT	J217		nsp	nsp	CONN. CORD	SN95/PB5 , 0.6 C3A206
INPUT	J218		nsp	nsp	CONN. CORD	SN95/PB5 , 0.6 C3A206
INPUT	J219		nsp	nsp	CONN. CORD	SN95/PB5 , 0.6 C3A206
INPUT	J220		nsp	nsp	CONN. CORD	SN95/PB5 , 0.6 C3A206
INPUT	J221		nsp	nsp	CONN. CORD	SN95/PB5 , 0.6 C3A206
INPUT	J222		nsp	nsp	CONN. CORD	SN95/PB5 , 0.6 C3A206
INPUT	J223		nsp	nsp	CONN. CORD	SN95/PB5 , 0.6 C3A206
INPUT	J224		nsp	nsp	CONN. CORD	SN95/PB5 , 0.6 C3A206
INPUT	J225		nsp	nsp	CONN. CORD	SN95/PB5 , 0.6 C3A206
INPUT	J226		nsp	nsp	CONN. CORD	SN95/PB5 , 0.6 C3A206
INPUT	J227		nsp	nsp	CONN. CORD	SN95/PB5 , 0.6 C3A206
INPUT	J228		nsp	nsp	CONN. CORD	SN95/PB5 , 0.6 C3A206
INPUT	J229		nsp	nsp	CONN. CORD	SN95/PB5 , 0.6 C3A206
INPUT	J230		nsp	nsp	CONN. CORD	SN95/PB5 , 0.6 C3A206
INPUT	J231		nsp	nsp	CONN. CORD	SN95/PB5 , 0.6 C3A206
INPUT	J232		nsp	nsp	CONN. CORD	SN95/PB5 , 0.6 C3A206
INPUT	J233		nsp	nsp	CONN. CORD	SN95/PB5 , 0.6 C3A206
INPUT	J234		nsp	nsp	CONN. CORD	SN95/PB5 , 0.6 C3A206
INPUT	J235		nsp	nsp	CONN. CORD	SN95/PB5 , 0.6 C3A206

NOTE : "nsp" PART IS LISTED FOR REFERENCE ONLY, MARANTZ WILL NOT SUPPLY THESE PARTS.





P.C.B. NAME	POS. NO.	VERS. COLOR	PART NO. (FOR EUR)	PART NO. (MJI)	PART NAME	DESCRIPTION
INPUT	J372		nsp	nsp	CONN. CORD	SN95/PB5 , 0.6 C3A206
INPUT	J373		nsp	nsp	CONN. CORD	SN95/PB5 , 0.6 C3A206
INPUT	J374		nsp	nsp	CONN. CORD	SN95/PB5 , 0.6 C3A206
INPUT	J379		nsp	nsp	CONN. CORD	SN95/PB5 , 0.6 C3A206
INPUT	J381		nsp	nsp	CONN. CORD	SN95/PB5 , 0.6 C3A206
INPUT	J382		nsp	nsp	CONN. CORD	SN95/PB5 , 0.6 C3A206
INPUT	J383		nsp	nsp	CONN. CORD	SN95/PB5 , 0.6 C3A206
INPUT	J385		nsp	nsp	CONN. CORD	SN95/PB5 , 0.6 C3A206
INPUT	J387		nsp	nsp	CONN. CORD	SN95/PB5 , 0.6 C3A206
INPUT	J388		nsp	nsp	CONN. CORD	SN95/PB5 , 0.6 C3A206
INPUT	J393		nsp	nsp	CONN. CORD	SN95/PB5 , 0.6 C3A206
INPUT	J399		nsp	nsp	CONN. CORD	SN95/PB5 , 0.6 C3A206
INPUT	J400		nsp	nsp	CONN. CORD	SN95/PB5 , 0.6 C3A206
INPUT	J401		nsp	nsp	CONN. CORD	SN95/PB5 , 0.6 C3A206
INPUT	J402		nsp	nsp	CONN. CORD	SN95/PB5 , 0.6 C3A206
INPUT	J403		nsp	nsp	CONN. CORD	SN95/PB5 , 0.6 C3A206
INPUT	J404		nsp	nsp	CONN. CORD	SN95/PB5 , 0.6 C3A206
INPUT	J405		nsp	nsp	CONN. CORD	SN95/PB5 , 0.6 C3A206
INPUT	J406		nsp	nsp	CONN. CORD	SN95/PB5 , 0.6 C3A206
INPUT	J407		nsp	nsp	CONN. CORD	SN95/PB5 , 0.6 C3A206
INPUT	J408		nsp	nsp	CONN. CORD	SN95/PB5 , 0.6 C3A206
INPUT	J409		nsp	nsp	CONN. CORD	SN95/PB5 , 0.6 C3A206
INPUT	J410		nsp	nsp	CONN. CORD	SN95/PB5 , 0.6 C3A206
INPUT	J411		nsp	nsp	CONN. CORD	SN95/PB5 , 0.6 C3A206
INPUT	J412		nsp	nsp	CONN. CORD	SN95/PB5 , 0.6 C3A206
INPUT	J413		nsp	nsp	CONN. CORD	SN95/PB5 , 0.6 C3A206
INPUT	J414		nsp	nsp	CONN. CORD	SN95/PB5 , 0.6 C3A206
INPUT	J415		nsp	nsp	CONN. CORD	SN95/PB5 , 0.6 C3A206
INPUT	J416		nsp	nsp	CONN. CORD	SN95/PB5 , 0.6 C3A206
INPUT	J417		nsp	nsp	CONN. CORD	SN95/PB5 , 0.6 C3A206
INPUT	J418		nsp	nsp	CONN. CORD	SN95/PB5 , 0.6 C3A206
INPUT	J419		nsp	nsp	CONN. CORD	SN95/PB5 , 0.6 C3A206
INPUT	J420		nsp	nsp	CONN. CORD	SN95/PB5 , 0.6 C3A206
INPUT	J421		nsp	nsp	CONN. CORD	SN95/PB5 , 0.6 C3A206
INPUT	J422		nsp	nsp	CONN. CORD	SN95/PB5 , 0.6 C3A206
INPUT	J423		nsp	nsp	CONN. CORD	SN95/PB5 , 0.6 C3A206
INPUT	J424		nsp	nsp	CONN. CORD	SN95/PB5 , 0.6 C3A206
INPUT	J425		nsp	nsp	CONN. CORD	SN95/PB5 , 0.6 C3A206
INPUT	J426		nsp	nsp	CONN. CORD	SN95/PB5 , 0.6 C3A206
INPUT	J427		nsp	nsp	CONN. CORD	SN95/PB5 , 0.6 C3A206
INPUT	J428		nsp	nsp	CONN. CORD	SN95/PB5 , 0.6 C3A206
INPUT	J429		nsp	nsp	CONN. CORD	SN95/PB5 , 0.6 C3A206
INPUT	J430		nsp	nsp	CONN. CORD	SN95/PB5 , 0.6 C3A206
INPUT	J431		nsp	nsp	CONN. CORD	SN95/PB5 , 0.6 C3A206
INPUT	J432		nsp	nsp	CONN. CORD	SN95/PB5 , 0.6 C3A206
INPUT	J433		nsp	nsp	CONN. CORD	SN95/PB5 , 0.6 C3A206
INPUT	J434		nsp	nsp	CONN. CORD	SN95/PB5 , 0.6 C3A206
INPUT	J435		nsp	nsp	CONN. CORD	SN95/PB5 , 0.6 C3A206
INPUT	J436		nsp	nsp	CONN. CORD	SN95/PB5 , 0.6 C3A206
INPUT	J437		nsp	nsp	CONN. CORD	SN95/PB5 , 0.6 C3A206
INPUT	J438		nsp	nsp	CONN. CORD	SN95/PB5 , 0.6 C3A206
INPUT	J439		nsp	nsp	CONN. CORD	SN95/PB5 , 0.6 C3A206
INPUT	J440		nsp	nsp	CONN. CORD	SN95/PB5 , 0.6 C3A206
INPUT	J441		nsp	nsp	CONN. CORD	SN95/PB5 , 0.6 C3A206
INPUT	J442		nsp	nsp	CONN. CORD	SN95/PB5 , 0.6 C3A206
INPUT	J443		nsp	nsp	CONN. CORD	SN95/PB5 , 0.6 C3A206
INPUT	J444		nsp	nsp	CONN. CORD	SN95/PB5 , 0.6 C3A206
INPUT	J445		nsp	nsp	CONN. CORD	SN95/PB5 , 0.6 C3A206
INPUT	J446		nsp	nsp	CONN. CORD	SN95/PB5 , 0.6 C3A206
INPUT	J447		nsp	nsp	CONN. CORD	SN95/PB5 , 0.6 C3A206
INPUT	J448		nsp	nsp	CONN. CORD	SN95/PB5 , 0.6 C3A206
INPUT	JK21		90M-YT002960R	90M-YT002960R	TERMINAL	CJJ4R019Z
INPUT	JK22		90M-YT002960R	90M-YT002960R	TERMINAL	CJJ4R019Z
INPUT	JK23		90M-YT002960R	90M-YT002960R	TERMINAL	CJJ4R019Z
INPUT	JK24		90M-YT002960R	90M-YT002960R	TERMINAL	CJJ4R019Z
INPUT	JK25		90M-YT004050R	90M-YT004050R	TERMINAL	RCA-401DA-16 CJJ4P052Z

NOTE : "nsp" PART IS LISTED FOR REFERENCE ONLY, MARANTZ WILL NOT SUPPLY THESE PARTS.

P.C.B. NAME	POS. NO.	VERS. COLOR	PART NO. (FOR EUR)	PART NO. (MJI)	PART NAME	DESCRIPTION
INPUT	JK26		90M-YT004040R	90M-YT004040R	TERMINAL	RCA-401DA-28 CJJ4P051Z
INPUT	R201		nsp	nsp	RES.	100 OHM 1/5W J CRD20TJ101T
INPUT	R202		nsp	nsp	RES.	100 OHM 1/5W J CRD20TJ101T
INPUT	R203		nsp	nsp	RES.	100 OHM 1/5W J CRD20TJ101T
INPUT	R204		nsp	nsp	RES.	100 OHM 1/5W J CRD20TJ101T
INPUT	R205		nsp	nsp	RES.	100 OHM 1/5W J CRD20TJ101T
INPUT	R206		nsp	nsp	RES.	100 OHM 1/5W J CRD20TJ101T
INPUT	R207		nsp	nsp	RES.	1K OHM 1/5W J CRD20TJ102T
INPUT	R208		nsp	nsp	RES.	1K OHM 1/5W J CRD20TJ102T
INPUT	R209		nsp	nsp	RES.	100 OHM 1/5W J CRD20TJ101T
INPUT	R210		nsp	nsp	RES.	100 OHM 1/5W J CRD20TJ101T
INPUT	R211		nsp	nsp	RES.	1K OHM 1/5W J CRD20TJ102T
INPUT	R212		nsp	nsp	RES.	1K OHM 1/5W J CRD20TJ102T
INPUT	R213		nsp	nsp	RES.	100 OHM 1/5W J CRD20TJ101T
INPUT	R214		nsp	nsp	RES.	100 OHM 1/5W J CRD20TJ101T
INPUT	R215		nsp	nsp	RES.	100 OHM 1/5W J CRD20TJ101T
INPUT	R216		nsp	nsp	RES.	100 OHM 1/5W J CRD20TJ101T
INPUT	R217		nsp	nsp	RES.	1K OHM 1/5W J CRD20TJ102T
INPUT	R218		nsp	nsp	RES.	1K OHM 1/5W J CRD20TJ102T
INPUT	R219		nsp	nsp	RES.	100 OHM 1/5W J CRD20TJ101T
INPUT	R220		nsp	nsp	RES.	100 OHM 1/5W J CRD20TJ101T
INPUT	R221		nsp	nsp	RES.	1K OHM 1/5W J CRD20TJ102T
INPUT	R222		nsp	nsp	RES.	1K OHM 1/5W J CRD20TJ102T
INPUT	R223		nsp	nsp	RES.	82K OHM 1/5W J CRD20TJ823T
INPUT	R224		nsp	nsp	RES.	82K OHM 1/5W J CRD20TJ823T
INPUT	R225		nsp	nsp	RES.	82K OHM 1/5W J CRD20TJ823T
INPUT	R226		nsp	nsp	RES.	82K OHM 1/5W J CRD20TJ823T
INPUT	R227		nsp	nsp	RES.	82K OHM 1/5W J CRD20TJ823T
INPUT	R228		nsp	nsp	RES.	82K OHM 1/5W J CRD20TJ823T
INPUT	R229		nsp	nsp	RES.	47K OHM 1/5W J CRD20TJ473T
INPUT	R230		nsp	nsp	RES.	47K OHM 1/5W J CRD20TJ473T
INPUT	R231		nsp	nsp	RES.	82K OHM 1/5W J CRD20TJ823T
INPUT	R232		nsp	nsp	RES.	82K OHM 1/5W J CRD20TJ823T
INPUT	R233		nsp	nsp	RES.	47K OHM 1/5W J CRD20TJ473T
INPUT	R234		nsp	nsp	RES.	47K OHM 1/5W J CRD20TJ473T
INPUT	R235		nsp	nsp	RES.	82K OHM 1/5W J CRD20TJ823T
INPUT	R236		nsp	nsp	RES.	82K OHM 1/5W J CRD20TJ823T
INPUT	R237		nsp	nsp	RES.	82K OHM 1/5W J CRD20TJ823T
INPUT	R238		nsp	nsp	RES.	82K OHM 1/5W J CRD20TJ823T
INPUT	R239		nsp	nsp	RES.	47K OHM 1/5W J CRD20TJ473T
INPUT	R240		nsp	nsp	RES.	47K OHM 1/5W J CRD20TJ473T
INPUT	R241		nsp	nsp	RES.	82K OHM 1/5W J CRD20TJ823T
INPUT	R242		nsp	nsp	RES.	82K OHM 1/5W J CRD20TJ823T
INPUT	R243		nsp	nsp	RES.	47K OHM 1/5W J CRD20TJ473T
INPUT	R244		nsp	nsp	RES.	47K OHM 1/5W J CRD20TJ473T
INPUT	R245		nsp	nsp	RES.	100 OHM 1/5W J CRD20TJ101T
INPUT	R246		nsp	nsp	RES.	100 OHM 1/5W J CRD20TJ101T
INPUT	R247		nsp	nsp	RES.	100 OHM 1/5W J CRD20TJ101T
INPUT	R248		nsp	nsp	RES.	100 OHM 1/5W J CRD20TJ101T
INPUT	R249		nsp	nsp	RES.	100 OHM 1/5W J CRD20TJ101T
INPUT	R250		nsp	nsp	RES.	100 OHM 1/5W J CRD20TJ101T
INPUT	R251		nsp	nsp	RES.	100 OHM 1/5W J CRD20TJ101T
INPUT	R252		nsp	nsp	RES.	47K OHM 1/5W J CRD20TJ473T
INPUT	R253		nsp	nsp	RES.	47K OHM 1/5W J CRD20TJ473T
INPUT	R254		nsp	nsp	RES.	47K OHM 1/5W J CRD20TJ473T
INPUT	R255		nsp	nsp	RES.	47K OHM 1/5W J CRD20TJ473T
INPUT	R256		nsp	nsp	RES.	47K OHM 1/5W J CRD20TJ473T
INPUT	R257		nsp	nsp	RES.	47K OHM 1/5W J CRD20TJ473T
INPUT	R258		nsp	nsp	RES.	47K OHM 1/5W J CRD20TJ473T
INPUT	R266		nsp	nsp	RES.	47K OHM 1/5W J CRD20TJ473T
INPUT	R267		nsp	nsp	RES.	47K OHM 1/5W J CRD20TJ473T
INPUT	R268		nsp	nsp	RES.	47K OHM 1/5W J CRD20TJ473T
INPUT	R269		nsp	nsp	RES.	47K OHM 1/5W J CRD20TJ473T
INPUT	R270		nsp	nsp	RES.	47K OHM 1/5W J CRD20TJ473T
INPUT	R271		nsp	nsp	RES.	47K OHM 1/5W J CRD20TJ473T
INPUT	R272		nsp	nsp	RES.	47K OHM 1/5W J CRD20TJ473T

NOTE : "nsp" PART IS LISTED FOR REFERENCE ONLY, MARANTZ WILL NOT SUPPLY THESE PARTS.



P.C.B. NAME	POS. NO.	VERS. COLOR	PART NO. (FOR EUR)	PART NO. (MJI)	PART NAME	DESCRIPTION
INPUT	R273		nsp	nsp	RES.	100 OHM 1/5W J CRD20TJ101T
INPUT	R274		nsp	nsp	RES.	100 OHM 1/5W J CRD20TJ101T
INPUT	R275		nsp	nsp	RES.	220 KOHM 1/5W J CRD20TJ224T
INPUT	R276		nsp	nsp	RES.	220 KOHM 1/5W J CRD20TJ224T
INPUT	R277		nsp	nsp	RES.	220 KOHM 1/5W J CRD20TJ224T
INPUT	R278		nsp	nsp	RES.	220 KOHM 1/5W J CRD20TJ224T
INPUT	R279		nsp	nsp	RES.	47K OHM 1/5W J CRD20TJ473T
INPUT	R280		nsp	nsp	RES.	47K OHM 1/5W J CRD20TJ473T
INPUT	R281		nsp	nsp	RES.	47K OHM 1/5W J CRD20TJ473T
INPUT	R282		nsp	nsp	RES.	47K OHM 1/5W J CRD20TJ473T
INPUT	R283		nsp	nsp	RES.	100 OHM 1/5W J CRD20TJ101T
INPUT	R314		nsp	nsp	RES.	47K OHM 1/5W J CRD20TJ473T
INPUT	R315		nsp	nsp	RES.	47K OHM 1/5W J CRD20TJ473T
INPUT	R316		nsp	nsp	CONN. CORD	SN95/PB5 , 0.6 C3A206
INPUT	R317		nsp	nsp	CONN. CORD	SN95/PB5 , 0.6 C3A206
INPUT	R318		nsp	nsp	RES.	47K OHM 1/5W J CRD20TJ473T
INPUT	R319		nsp	nsp	RES.	47K OHM 1/5W J CRD20TJ473T
INPUT	R320		nsp	nsp	RES.	47K OHM 1/5W J CRD20TJ473T
INPUT	R321		nsp	nsp	RES.	47K OHM 1/5W J CRD20TJ473T
INPUT	R324		nsp	nsp	CONN. CORD	SN95/PB5 , 0.6 C3A206
INPUT	R325		nsp	nsp	CONN. CORD	SN95/PB5 , 0.6 C3A206
INPUT	R326		nsp	nsp	RES.	47K OHM 1/5W J CRD20TJ473T
INPUT	R327		nsp	nsp	RES.	47K OHM 1/5W J CRD20TJ473T
INPUT	R328		nsp	nsp	RES.	47K OHM 1/5W J CRD20TJ473T
INPUT	R329		nsp	nsp	RES.	47K OHM 1/5W J CRD20TJ473T
INPUT	R330		nsp	nsp	CONN. CORD	SN95/PB5 , 0.6 C3A206
INPUT	R331		nsp	nsp	CONN. CORD	SN95/PB5 , 0.6 C3A206
INPUT	R332		nsp	nsp	RES.	47K OHM 1/5W J CRD20TJ473T
INPUT	R333		nsp	nsp	RES.	47K OHM 1/5W J CRD20TJ473T
INPUT	R334		nsp	nsp	RES.	47K OHM 1/5W J CRD20TJ473T
INPUT	R335		nsp	nsp	RES.	47K OHM 1/5W J CRD20TJ473T
INPUT	R338		nsp	nsp	CONN. CORD	SN95/PB5 , 0.6 C3A206
INPUT	R339		nsp	nsp	CONN. CORD	SN95/PB5 , 0.6 C3A206
INPUT	R340		nsp	nsp	RES.	47K OHM 1/5W J CRD20TJ473T
INPUT	R341		nsp	nsp	RES.	47K OHM 1/5W J CRD20TJ473T
INPUT	R342		nsp	nsp	RES.	47K OHM 1/5W J CRD20TJ473T
INPUT	R343		nsp	nsp	RES.	47K OHM 1/5W J CRD20TJ473T
INPUT	R344		nsp	nsp	CONN. CORD	SN95/PB5 , 0.6 C3A206
INPUT	R345		nsp	nsp	CONN. CORD	SN95/PB5 , 0.6 C3A206
INPUT	R346		nsp	nsp	RES.	47K OHM 1/5W J CRD20TJ473T
INPUT	R347		nsp	nsp	RES.	47K OHM 1/5W J CRD20TJ473T
INPUT	R372		nsp	nsp	RES.	100 OHM 1/5W J CRD20TJ101T
INPUT	R373		nsp	nsp	RES.	100 OHM 1/5W J CRD20TJ101T
INPUT	R402		nsp	nsp	RES.	100 OHM 1/5W J CRD20TJ101T
INPUT	R403		nsp	nsp	RES.	100K OHM 1/5W J CRD20TJ104T
INPUT	R404		nsp	nsp	RES.	100K OHM 1/5W J CRD20TJ104T
INPUT	R405		nsp	nsp	RES.	100K OHM 1/5W J CRD20TJ104T
INPUT	R406		nsp	nsp	RES.	100K OHM 1/5W J CRD20TJ104T
INPUT	R441		nsp	nsp	RES.	100 OHM 1/5W J CRD20TJ101T
INPUT	R442		nsp	nsp	RES.	47K OHM 1/5W J CRD20TJ473T
INPUT	R444		nsp	nsp	RES.	47K OHM 1/5W J CRD20TJ473T
INPUT	R446		nsp	nsp	RES.	100 OHM 1/5W J CRD20TJ101T
INPUT	R447		nsp	nsp	RES.	100 OHM 1/5W J CRD20TJ101T
INPUT	R448		nsp	nsp	RES.	47K OHM 1/5W J CRD20TJ473T
INPUT	R449		nsp	nsp	RES.	47K OHM 1/5W J CRD20TJ473T
INPUT	R513		nsp	nsp	CONN. CORD	SN95/PB5 , 0.6 C3A206
INPUT	R514		nsp	nsp	RES.	10K OHM 1/5W J CRD20TJ103T
INPUT	R517		nsp	nsp	RES.	1K OHM 1/5W J CRD20TJ102T
INPUT	R518		nsp	nsp	RES.	1K OHM 1/5W J CRD20TJ102T
INPUT	R520		nsp	nsp	RES.	100K OHM 1/5W J CRD20TJ104T
INPUT	R521		nsp	nsp	RES.	100K OHM 1/5W J CRD20TJ104T
INPUT	R522		nsp	nsp	RES.	1K OHM 1/5W J CRD20TJ102T
INPUT	R523		nsp	nsp	RES.	2.4K OHM 1/5W J CRD20TJ242T
INPUT	R527		nsp	nsp	RES.	100K OHM 1/5W J CRD20TJ104T
INPUT	R529		nsp	nsp	RES.	10K OHM 1/5W J CRD20TJ103T
INPUT	R530		nsp	nsp	RES.	10K OHM 1/5W J CRD20TJ103T

NOTE : "nsp" PART IS LISTED FOR REFERENCE ONLY, MARANTZ WILL NOT SUPPLY THESE PARTS.

P.C.B. NAME	POS. NO.	VERS. COLOR	PART NO. (FOR EUR)	PART NO. (MJI)	PART NAME	DESCRIPTION
INPUT	R532		nsp	nsp	RES.	1K OHM 1/5W J CRD20TJ102T
INPUT	R533		nsp	nsp	RES.	10K OHM 1/5W J CRD20TJ103T
INPUT	R534		nsp	nsp	RES.	100K OHM 1/5W J CRD20TJ104T
INPUT	R540		nsp	nsp	CONN. CORD	SN95/PB5 , 0.6 C3A206
INPUT	R541		nsp	nsp	CONN. CORD	SN95/PB5 , 0.6 C3A206
INPUT	R543		nsp	nsp	RES.	1K OHM 1/5W J CRD20TJ102T
INPUT	R544		nsp	nsp	CONN. CORD	SN95/PB5 , 0.6 C3A206
					<b>POWER PCB (CUP11763-1)</b>	
POWER	BN67		nsp	nsp	CORD	CWB1C906600EN
POWER	CN64		nsp	nsp	CORD	CWB1B905180EN
POWER	BN61		nsp	nsp	CORD	CWB1C006600EN
POWER	BN65		nsp	nsp	CORD	CWB3F006100UZ
POWER	BN81		nsp	nsp	CORD	CWB1B906150EN
POWER	BN82		nsp	nsp	CORD	CWZSR7400BN82
POWER	C602		90M-OF100370R	90M-OF100370R	FILM CAP	0.022UF 50V J HCQ1H223JZT
POWER	C603		90M-OF100370R	90M-OF100370R	FILM CAP	0.022UF 50V J HCQ1H223JZT
POWER	C604		90M-OF100370R	90M-OF100370R	FILM CAP	0.022UF 50V J HCQ1H223JZT
POWER	C605		90M-OF100370R	90M-OF100370R	FILM CAP	0.022UF 50V J HCQ1H223JZT
POWER	C606		90M-OF100370R	90M-OF100370R	FILM CAP	0.022UF 50V J HCQ1H223JZT
POWER	C611		nsp	nsp	CER. CAP.	1000PF 50V KB CCKT1H102KB
POWER	C612		nsp	nsp	CER. CAP.	1000PF 50V KB CCKT1H102KB
POWER	C613		nsp	nsp	CER. CAP.	1000PF 50V KB CCKT1H102KB
POWER	C614		nsp	nsp	CER. CAP.	1000PF 50V KB CCKT1H102KB
POWER	C615		nsp	nsp	CER. CAP.	1000PF 50V KB CCKT1H102KB
POWER	C622		90M-OF100370R	90M-OF100370R	FILM CAP	0.022UF 50V J HCQ1H223JZT
POWER	C623		90M-OF100370R	90M-OF100370R	FILM CAP	0.022UF 50V J HCQ1H223JZT
POWER	C624		90M-OF100370R	90M-OF100370R	FILM CAP	0.022UF 50V J HCQ1H223JZT
POWER	C625		90M-OF100370R	90M-OF100370R	FILM CAP	0.022UF 50V J HCQ1H223JZT
POWER	C626		90M-OF100370R	90M-OF100370R	FILM CAP	0.022UF 50V J HCQ1H223JZT
POWER	C633		90M-EX000180R	90M-EX000180R	ELECT CAP.	LA471VN18000(M) HCET71VLA4183N
POWER	C634		90M-EX000180R	90M-EX000180R	ELECT CAP.	LA471VN18000(M) HCET71VLA4183N
POWER	C638		nsp	00MOA47601640	ELECT CAP.	47UF 16V HCEA1CH470T
POWER	C639		nsp	nsp	CER. CAP.	1000PF 50V KB CCKT1H102KB
POWER	C640		nsp	90M-OA000160R	ELECT CAP.	HCEA1VH332E
POWER	C641		nsp	00MOA22803520	ELECT CAP.	2200UF 35V HCEA1VH222E
POWER	C642		nsp	nsp	CER. CAP.	0.01UF 50V ZF CCKT1H103ZF
POWER	C644		nsp	nsp	CER. CAP.	0.01UF 50V ZF CCKT1H103ZF
POWER	C645		nsp	nsp	CER. CAP.	0.01UF 50V ZF CCKT1H103ZF
POWER	C646		nsp	nsp	CER. CAP.	0.01UF 50V ZF CCKT1H103ZF
POWER	C647		nsp	nsp	CER. CAP.	0.01UF 50V ZF CCKT1H103ZF
POWER	C648		nsp	00MOA10702520	ELECT CAP.	100UF 25V HCEA1EH101T
POWER	C649		nsp	00MOA10702520	ELECT CAP.	100UF 25V HCEA1EH101T
POWER	C651		nsp	00MOA68801620	ELECT CAP.	HCEA1CH682E
POWER	C652		00MEA10901670	00MEA10901670	ELECT CAP.	10000UF , 16V HCEA1CH103E
POWER	C653		nsp	00MOA10701620	ELECT CAP.	100UF 16V HCEA1CH101T
POWER	C654		nsp	00MOA10701620	ELECT CAP.	100UF 16V HCEA1CH101T
POWER	C655		nsp	nsp	CER. CAP.	50V 0.1UF CCKT1H104ZF
POWER	C656		nsp	nsp	CER. CAP.	50V 0.1UF CCKT1H104ZF
POWER	C657		nsp	nsp	CER. CAP.	50V 0.1UF CCKT1H104ZF
POWER	C658		nsp	nsp	CER. CAP.	50V 0.1UF CCKT1H104ZF
POWER	C659		nsp	00MOA10710020	ELECT CAP.	100UF 100V HCEA2AH101E
POWER	C661		nsp	nsp	CER. CAP.	50V 0.1UF CCKT1H104ZF
POWER	C662		nsp	nsp	CER. CAP.	50V 0.1UF CCKT1H104ZF
POWER	C663		nsp	nsp	CER. CAP.	50V 0.1UF CCKT1H104ZF
POWER	C664		nsp	nsp	CER. CAP.	50V 0.1UF CCKT1H104ZF
POWER	CN62		nsp	nsp	JACK	CJP07GA19ZY
POWER	CN63		nsp	nsp	JACK	CJP05GA19ZY
POWER	CN65		nsp	nsp	JACK	CJP15GA117ZY
POWER	CN66		nsp	nsp	JACK	CJP04GA01ZY
POWER	CN67		nsp	nsp	JACK	A3963WV2-5P CJP05GA148ZW
POWER	CN68		nsp	nsp	JACK	A3963WV2-5P CJP05GA148ZW
POWER	CN69		nsp	nsp	JACK	KJP05GA98ZM
POWER	D601		nsp	90M-HD201750R	DIODE	1N4003 KVD1N4003SRT
POWER	D602		nsp	90M-HD201750R	DIODE	1N4003 KVD1N4003SRT
POWER	D603		nsp	90M-HD201750R	DIODE	1N4003 KVD1N4003SRT
POWER	D604		nsp	90M-HD201750R	DIODE	1N4003 KVD1N4003SRT

NOTE : "nsp" PART IS LISTED FOR REFERENCE ONLY, MARANTZ WILL NOT SUPPLY THESE PARTS.

P.C.B. NAME	POS. NO.	VERS. COLOR	PART NO. (FOR EUR)	PART NO. (MJI)	PART NAME	DESCRIPTION
POWER	D605		nsp	90M-HD201750R	DIODE	1N4003 KVD1N4003SRT
POWER	D606		nsp	90M-HD201750R	DIODE	1N4003 KVD1N4003SRT
POWER	D607		nsp	90M-HD201750R	DIODE	1N4003 KVD1N4003SRT
POWER	D608		nsp	90M-HD201750R	DIODE	1N4003 KVD1N4003SRT
POWER	D609		nsp	90M-HD201750R	DIODE	1N4003 KVD1N4003SRT
POWER	D610		nsp	90M-HD201750R	DIODE	1N4003 KVD1N4003SRT
POWER	D611		nsp	90M-HD201750R	DIODE	1N4003 KVD1N4003SRT
POWER	D612		nsp	90M-HD201750R	DIODE	1N4003 KVD1N4003SRT
POWER	D613		nsp	90M-HD201750R	DIODE	1N4003 KVD1N4003SRT
POWER	D614		nsp	90M-HD201750R	DIODE	1N4003 KVD1N4003SRT
POWER	D615		nsp	90M-HD302150R	ZENER DIODE	HVDMTZJ6.8BT
POWER	D616		nsp	90M-HD302190R	ZENER DIODE	HVDMTZJ30BT
POWER	D618		nsp	90M-HD201750R	DIODE	1N4003 KVD1N4003SRT
POWER	D619		nsp	90M-HD201750R	DIODE	1N4003 KVD1N4003SRT
POWER	D620		nsp	90M-HD201750R	DIODE	1N4003 KVD1N4003SRT
POWER	D621		nsp	90M-HD201750R	DIODE	1N4003 KVD1N4003SRT
POWER	D623		nsp	90M-HD201750R	DIODE	1N4003 KVD1N4003SRT
POWER	▲ D631		90M-HE200340R	90M-HE200340R	DIODE	GBJ804 HVDGBJ804
POWER	ET01		nsp	nsp	TERMINAL	CNE75
POWER	IC09		90M-HC300560R	90M-HC300560R	IC	HVIMC7905C
POWER	J596		nsp	nsp	CONN. CORD	SN95/PB5 , 0.6 C3A206
POWER	J597		nsp	nsp	CONN. CORD	SN95/PB5 , 0.6 C3A206
POWER	J598		nsp	nsp	CONN. CORD	SN95/PB5 , 0.6 C3A206
POWER	J599		nsp	nsp	CONN. CORD	SN95/PB5 , 0.6 C3A206
POWER	J600		nsp	nsp	CONN. CORD	SN95/PB5 , 0.6 C3A206
POWER	J601		nsp	nsp	CONN. CORD	SN95/PB5 , 0.6 C3A206
POWER	J603		nsp	nsp	CONN. CORD	SN95/PB5 , 0.6 C3A206
POWER	J604		nsp	nsp	CONN. CORD	SN95/PB5 , 0.6 C3A206
POWER	J605		nsp	nsp	CONN. CORD	SN95/PB5 , 0.6 C3A206
POWER	J606		nsp	nsp	CONN. CORD	SN95/PB5 , 0.6 C3A206
POWER	J607		nsp	nsp	CONN. CORD	SN95/PB5 , 0.6 C3A206
POWER	J608		nsp	nsp	CONN. CORD	SN95/PB5 , 0.6 C3A206
POWER	J609		nsp	nsp	CONN. CORD	SN95/PB5 , 0.6 C3A206
POWER	J610		nsp	nsp	CONN. CORD	SN95/PB5 , 0.6 C3A206
POWER	J611		nsp	nsp	CONN. CORD	SN95/PB5 , 0.6 C3A206
POWER	J612		nsp	nsp	CONN. CORD	SN95/PB5 , 0.6 C3A206
POWER	J613		nsp	nsp	CONN. CORD	SN95/PB5 , 0.6 C3A206
POWER	J614		nsp	nsp	CONN. CORD	SN95/PB5 , 0.6 C3A206
POWER	J615		nsp	nsp	CONN. CORD	SN95/PB5 , 0.6 C3A206
POWER	J616		nsp	nsp	CONN. CORD	SN95/PB5 , 0.6 C3A206
POWER	J617		nsp	nsp	CONN. CORD	SN95/PB5 , 0.6 C3A206
POWER	J618		nsp	nsp	CONN. CORD	SN95/PB5 , 0.6 C3A206
POWER	J619		nsp	nsp	CONN. CORD	SN95/PB5 , 0.6 C3A206
POWER	J620		nsp	nsp	CONN. CORD	SN95/PB5 , 0.6 C3A206
POWER	J621		nsp	nsp	CONN. CORD	SN95/PB5 , 0.6 C3A206
POWER	J622		nsp	nsp	CONN. CORD	SN95/PB5 , 0.6 C3A206
POWER	J623		nsp	nsp	CONN. CORD	SN95/PB5 , 0.6 C3A206
POWER	J624		nsp	nsp	CONN. CORD	SN95/PB5 , 0.6 C3A206
POWER	J625		nsp	nsp	CONN. CORD	SN95/PB5 , 0.6 C3A206
POWER	J626		nsp	nsp	CONN. CORD	SN95/PB5 , 0.6 C3A206
POWER	J627		nsp	nsp	CONN. CORD	SN95/PB5 , 0.6 C3A206
POWER	J628		nsp	nsp	CONN. CORD	SN95/PB5 , 0.6 C3A206
POWER	J629		nsp	nsp	CONN. CORD	SN95/PB5 , 0.6 C3A206
POWER	J630		nsp	nsp	CONN. CORD	SN95/PB5 , 0.6 C3A206
POWER	J631		nsp	nsp	CONN. CORD	SN95/PB5 , 0.6 C3A206
POWER	J632		nsp	nsp	CONN. CORD	SN95/PB5 , 0.6 C3A206
POWER	J633		nsp	nsp	CONN. CORD	SN95/PB5 , 0.6 C3A206
POWER	J634		nsp	nsp	CONN. CORD	SN95/PB5 , 0.6 C3A206
POWER	J635		nsp	nsp	CONN. CORD	SN95/PB5 , 0.6 C3A206
POWER	J636		nsp	nsp	CONN. CORD	SN95/PB5 , 0.6 C3A206
POWER	J637		nsp	nsp	CONN. CORD	SN95/PB5 , 0.6 C3A206
POWER	J638		nsp	nsp	CONN. CORD	SN95/PB5 , 0.6 C3A206
POWER	J639		nsp	nsp	CONN. CORD	SN95/PB5 , 0.6 C3A206
POWER	J640		nsp	nsp	CONN. CORD	SN95/PB5 , 0.6 C3A206
POWER	J641		nsp	nsp	CONN. CORD	SN95/PB5 , 0.6 C3A206
POWER	J642		nsp	nsp	CONN. CORD	SN95/PB5 , 0.6 C3A206

NOTE : "nsp" PART IS LISTED FOR REFERENCE ONLY, MARANTZ WILL NOT SUPPLY THESE PARTS.

P.C.B. NAME	POS. NO.	VERS. COLOR	PART NO. (FOR EUR)	PART NO. (MJI)	PART NAME	DESCRIPTION
POWER	J643		nsp	nsp	CONN. CORD	SN95/PB5 , 0.6 C3A206
POWER	J644		nsp	nsp	CONN. CORD	SN95/PB5 , 0.6 C3A206
POWER	J645		nsp	nsp	CONN. CORD	SN95/PB5 , 0.6 C3A206
POWER	J646		nsp	nsp	CONN. CORD	SN95/PB5 , 0.6 C3A206
POWER	J647		nsp	nsp	CONN. CORD	SN95/PB5 , 0.6 C3A206
POWER	J648		nsp	nsp	CONN. CORD	SN95/PB5 , 0.6 C3A206
POWER	J649		nsp	nsp	CONN. CORD	SN95/PB5 , 0.6 C3A206
POWER	J650		nsp	nsp	CONN. CORD	SN95/PB5 , 0.6 C3A206
POWER	J651		nsp	nsp	CONN. CORD	SN95/PB5 , 0.6 C3A206
POWER	J652		nsp	nsp	CONN. CORD	SN95/PB5 , 0.6 C3A206
POWER	J653		nsp	nsp	CONN. CORD	SN95/PB5 , 0.6 C3A206
POWER	J654		nsp	nsp	CONN. CORD	SN95/PB5 , 0.6 C3A206
POWER	J655		nsp	nsp	CONN. CORD	SN95/PB5 , 0.6 C3A206
POWER	J656		nsp	nsp	CONN. CORD	SN95/PB5 , 0.6 C3A206
POWER	J657		nsp	nsp	CONN. CORD	SN95/PB5 , 0.6 C3A206
POWER	J658		nsp	nsp	CONN. CORD	SN95/PB5 , 0.6 C3A206
POWER	J659		nsp	nsp	CONN. CORD	SN95/PB5 , 0.6 C3A206
POWER	J660		nsp	nsp	CONN. CORD	SN95/PB5 , 0.6 C3A206
POWER	J661		nsp	nsp	CONN. CORD	SN95/PB5 , 0.6 C3A206
POWER	J662		nsp	nsp	CONN. CORD	SN95/PB5 , 0.6 C3A206
POWER	J663		nsp	nsp	CONN. CORD	SN95/PB5 , 0.6 C3A206
POWER	J664		nsp	nsp	CONN. CORD	SN95/PB5 , 0.6 C3A206
POWER	J665		nsp	nsp	CONN. CORD	SN95/PB5 , 0.6 C3A206
POWER	J666		nsp	nsp	CONN. CORD	SN95/PB5 , 0.6 C3A206
POWER	J667		nsp	nsp	CONN. CORD	SN95/PB5 , 0.6 C3A206
POWER	J668		nsp	nsp	CONN. CORD	SN95/PB5 , 0.6 C3A206
POWER	J669		nsp	nsp	CONN. CORD	SN95/PB5 , 0.6 C3A206
POWER	J670		nsp	nsp	CONN. CORD	SN95/PB5 , 0.6 C3A206
POWER	J671		nsp	nsp	CONN. CORD	SN95/PB5 , 0.6 C3A206
POWER	J672		nsp	nsp	CONN. CORD	SN95/PB5 , 0.6 C3A206
POWER	J673		nsp	nsp	CONN. CORD	SN95/PB5 , 0.6 C3A206
POWER	J674		nsp	nsp	CONN. CORD	SN95/PB5 , 0.6 C3A206
POWER	J675		nsp	nsp	CONN. CORD	SN95/PB5 , 0.6 C3A206
POWER	J676		nsp	nsp	CONN. CORD	SN95/PB5 , 0.6 C3A206
POWER	J677		nsp	nsp	CONN. CORD	SN95/PB5 , 0.6 C3A206
POWER	J678		nsp	nsp	CONN. CORD	SN95/PB5 , 0.6 C3A206
POWER	J679		nsp	nsp	CONN. CORD	SN95/PB5 , 0.6 C3A206
POWER	J680		nsp	nsp	CONN. CORD	SN95/PB5 , 0.6 C3A206
POWER	J681		nsp	nsp	CONN. CORD	SN95/PB5 , 0.6 C3A206
POWER	J682		nsp	nsp	CONN. CORD	SN95/PB5 , 0.6 C3A206
POWER	J683		nsp	nsp	CONN. CORD	SN95/PB5 , 0.6 C3A206
POWER	J684		nsp	nsp	CONN. CORD	SN95/PB5 , 0.6 C3A206
POWER	J685		nsp	nsp	CONN. CORD	SN95/PB5 , 0.6 C3A206
POWER	J686		nsp	nsp	CONN. CORD	SN95/PB5 , 0.6 C3A206
POWER	J687		nsp	nsp	CONN. CORD	SN95/PB5 , 0.6 C3A206
POWER	J688		nsp	nsp	CONN. CORD	SN95/PB5 , 0.6 C3A206
POWER	J689		nsp	nsp	CONN. CORD	SN95/PB5 , 0.6 C3A206
POWER	J690		nsp	nsp	CONN. CORD	SN95/PB5 , 0.6 C3A206
POWER	J691		nsp	nsp	CONN. CORD	SN95/PB5 , 0.6 C3A206
POWER	J692		nsp	nsp	CONN. CORD	SN95/PB5 , 0.6 C3A206
POWER	J693		nsp	nsp	CONN. CORD	SN95/PB5 , 0.6 C3A206
POWER	J694		nsp	nsp	CONN. CORD	SN95/PB5 , 0.6 C3A206
POWER	J695		nsp	nsp	CONN. CORD	SN95/PB5 , 0.6 C3A206
POWER	J696		nsp	nsp	CONN. CORD	SN95/PB5 , 0.6 C3A206
POWER	JK61		90M-YT003520R	90M-YT003520R	TERMINAL	CJJ5P020Z
POWER	JK62		90M-YT003520R	90M-YT003520R	TERMINAL	CJJ5P020Z
POWER	JK63		90M-YT004090R	90M-YT004090R	TERMINAL	JB-602A-11 CJJ5R010Z
POWER	Q601		90M-HT600040R	90M-HT600040R	TRS.	HVTKTA1267YT
POWER	Q602		90M-HT600040R	90M-HT600040R	TRS.	HVTKTA1267YT
POWER	Q603		90M-HT600040R	90M-HT600040R	TRS.	HVTKTA1267YT
POWER	Q604		90M-HT600040R	90M-HT600040R	TRS.	HVTKTA1267YT
POWER	Q606		90M-HT600040R	90M-HT600040R	TRS.	HVTKTA1267YT
POWER	Q607		00MBA20001000	00MBA20001000	TRS.	KRC102M HVTKRC102MT
POWER	Q608		00MBA20001000	00MBA20001000	TRS.	KRC102M HVTKRC102MT
POWER	Q609		00MBA20001000	00MBA20001000	TRS.	KRC102M HVTKRC102MT
POWER	Q610		00MBA20001000	00MBA20001000	TRS.	KRC102M HVTKRC102MT

NOTE : "nsp" PART IS LISTED FOR REFERENCE ONLY, MARANTZ WILL NOT SUPPLY THESE PARTS.

P.C.B. NAME	POS. NO.	VERS. COLOR	PART NO. (FOR EUR)	PART NO. (MJI)	PART NAME	DESCRIPTION
POWER	Q611		00MBA20001000	00MBA20001000	TRS.	KRC102M HVTKRC102MT
POWER	Q612		90M-HT600040R	90M-HT600040R	TRS.	HVTKTA1267YT
POWER	Q613		90M-HT800050R	90M-HT800050R	TRS.	HVTKTC3198YT
POWER	Q614		90M-HT800050R	90M-HT800050R	TRS.	HVTKTC3198YT
POWER	Q615		90M-HT600040R	90M-HT600040R	TRS.	HVTKTA1267YT
POWER	Q616		00MBA20001000	00MBA20001000	TRS.	KRC102M HVTKRC102MT
POWER	R601		nsp	nsp	RES.	390 OHM 1W J KRG1SANJ391RT
POWER	R602		nsp	nsp	RES.	470 OHM 1W J KRG1SANJ471RT
POWER	R603		nsp	nsp	RES.	390 OHM 1W J KRG1SANJ391RT
POWER	R604		nsp	nsp	RES.	470 OHM 1W J KRG1SANJ471RT
POWER	R605		nsp	nsp	RES.	390 OHM 1W J KRG1SANJ391RT
POWER	R606		nsp	nsp	RES.	470 OHM 1W J KRG1SANJ471RT
POWER	R607		nsp	nsp	RES.	390 OHM 1W J KRG1SANJ391RT
POWER	R608		nsp	nsp	RES.	470 OHM 1W J KRG1SANJ471RT
POWER	R609		nsp	nsp	RES.	390 OHM 1W J KRG1SANJ391RT
POWER	R610		nsp	nsp	RES.	470 OHM 1W J KRG1SANJ471RT
POWER	R611		nsp	nsp	RES.	10K OHM 1/5W J CRD20TJ103T
POWER	R612		nsp	nsp	RES.	10K OHM 1/5W J CRD20TJ103T
POWER	R613		nsp	nsp	RES.	10K OHM 1/5W J CRD20TJ103T
POWER	R614		nsp	nsp	RES.	10K OHM 1/5W J CRD20TJ103T
POWER	R615		nsp	nsp	RES.	10K OHM 1/5W J CRD20TJ103T
POWER	R616		nsp	nsp	RES.	10K OHM 1/5W J CRD20TJ103T
POWER	R617		nsp	nsp	RES.	10K OHM 1/5W J CRD20TJ103T
POWER	R618		nsp	nsp	RES.	10K OHM 1/5W J CRD20TJ103T
POWER	R619		nsp	nsp	RES.	10K OHM 1/5W J CRD20TJ103T
POWER	R620		nsp	nsp	RES.	10K OHM 1/5W J CRD20TJ103T
POWER	R622		nsp	nsp	RES.	10 OHM 1W J KRG1SANJ100RT
POWER	R623		nsp	nsp	RES.	10 OHM 1W J KRG1SANJ100RT
POWER	R624		nsp	nsp	RES.	10 OHM 1W J KRG1SANJ100RT
POWER	R625		nsp	nsp	RES.	10 OHM 1W J KRG1SANJ100RT
POWER	R626		nsp	nsp	RES.	10 OHM 1W J KRG1SANJ100RT
POWER	R627		nsp	nsp	RES.	CRG1ANJ331H
POWER	R628		nsp	nsp	RES.	CRG1ANJ331H
POWER	R631		nsp	nsp	RES.	270 OHM 1W J KRG1SANJ271RT
POWER	R632		nsp	nsp	RES.	270 OHM 1W J KRG1SANJ271RT
POWER	R633		nsp	nsp	RES.	15K OHM 1/5W J CRD20TJ153T
POWER	R634		nsp	nsp	RES.	15K OHM 1/5W J CRD20TJ153T
POWER	R635		nsp	nsp	RES.	15K OHM 1/5W J CRD20TJ153T
POWER	R636		nsp	nsp	RES.	15K OHM 1/5W J CRD20TJ153T
POWER	R637		nsp	nsp	RES.	10K OHM 1/5W J CRD20TJ103T
POWER	R638		nsp	nsp	RES.	33K OHM 1/5W J CRD20TJ333T
POWER	R639		nsp	nsp	RES.	100K OHM 1/5W J CRD20TJ104T
POWER	R640		nsp	nsp	RES.	CRG1ANJ1R0H
POWER	R641		nsp	nsp	RES.	CRG1ANJ1R0H
POWER	R642		nsp	nsp	RES.	10K OHM 1/5W J CRD20TJ103T
POWER	R643		nsp	nsp	RES.	10K OHM 1/5W J CRD20TJ103T
POWER	R644		nsp	nsp	RES.	22K OHM 1/5W J CRD20TJ223T
POWER	R645		nsp	nsp	RES.	22K OHM 1/5W J CRD20TJ223T
POWER	R646		nsp	nsp	RES.	10K OHM 1/5W J CRD20TJ103T
POWER	R647		nsp	nsp	RES.	CRD25TJ1R0T
POWER	R648		nsp	nsp	RES.	2.2K OHM 1W J KRG1SANJ222RT
POWER	R649		nsp	nsp	RES.	1.5K OHM 1W J KRG1SANJ152RT
POWER	R650		nsp	nsp	RES.	100 OHM 1/4W CRD25TJ101T
POWER	R651		nsp	nsp	RES.	100 OHM 1/4W CRD25TJ101T
POWER	R652		nsp	nsp	CONN. CORD	SN95/PB5 , 0.6 C3A206
POWER	R653		90M-NH000150R	90M-NH000150R	FUSE RES.	0.15 OHM , 1W J KRQ1AJR15H
POWER	RY61		00MLY20240490	00MLY20240490	RELAY	5GPA-28 DC24 HSL3B013ZE
POWER	RY62		00MLY20240490	00MLY20240490	RELAY	5GPA-28 DC24 HSL3B013ZE
POWER	RY63		00MLY20240490	00MLY20240490	RELAY	5GPA-28 DC24 HSL3B013ZE
POWER	RY64		00MLY20240490	00MLY20240490	RELAY	5GPA-28 DC24 HSL3B013ZE
POWER	RY65		00MLY20240510	00MLY20240510	RELAY	OSA-SS-224DM3 HSL4B017ZU
POWER	▲ RY66		00MLY20240520	00MLY20240520	RELAY	PCLH-203D1SP HSL4B018ZU
<b>PREOUT PCB (CUP11764-4)</b>						
PREOUT	BN22		nsp	nsp	CORD	CWB1B915350EN
PREOUT	C170		nsp	nsp	CER. CAP.	470PF 50V KB CCKT1H471KB
PREOUT	C171		nsp	nsp	CER. CAP.	470PF 50V KB CCKT1H471KB

NOTE : "nsp" PART IS LISTED FOR REFERENCE ONLY, MARANTZ WILL NOT SUPPLY THESE PARTS.

P.C.B. NAME	POS. NO.	VERS. COLOR	PART NO. (FOR EUR)	PART NO. (MJI)	PART NAME	DESCRIPTION
PREOUT	C172		nsp	nsp	CER. CAP.	470PF 50V KB CCKT1H471KB
PREOUT	C173		nsp	nsp	CER. CAP.	470PF 50V KB CCKT1H471KB
PREOUT	C174		nsp	nsp	CER. CAP.	470PF 50V KB CCKT1H471KB
PREOUT	C175		nsp	nsp	CER. CAP.	470PF 50V KB CCKT1H471KB
PREOUT	C176		nsp	nsp	CER. CAP.	470PF 50V KB CCKT1H471KB
PREOUT	C177		nsp	nsp	CER. CAP.	470PF 50V KB CCKT1H471KB
PREOUT	JK15		90M-YT004040R	90M-YT004040R	TERMINAL	RCA-401DA-28 CJJ4P051Z
PREOUT	JK16		90M-YT004050R	90M-YT004050R	TERMINAL	RCA-401DA-16 CJJ4P052Z
<b>PUSH S/W PCB (CUP11759-5)</b>						
S/W	▲ C877		90M-DK100800R	90M-DK100800R	CER. CAP.	DKS471ME KCKDKS471ME
S/W	CN88		90M-YP100250R	90M-YP100250R	JACK	MOLEX35328-02 KJP02GA89ZM
S/W	▲ SW97	/A1B	nsp	90M-SP000850R	SW	JPP1197CSA64 KSH1A001ZV
S/W	▲ SW97	/A1S	nsp	90M-SP000850R	SW	JPP1197CSA64 KSH1A001ZV
S/W	▲ SW97	/F1N	nsp	90M-SP000850R	SW	JPP1197CSA64 KSH1A001ZV
S/W	▲ SW97	/K1G	nsp	90M-SP000850R	SW	JPP1197CSA64 KSH1A001ZV
S/W	▲ SW97	/L1G	nsp	90M-SP000850R	SW	JPP1197CSA64 KSH1A001ZV
S/W	▲ SW97	/N1B	90M-SP000850R	90M-SP000850R	SW	JPP1197CSA64 KSH1A001ZV
S/W	▲ SW97	/N1G	90M-SP000850R	90M-SP000850R	SW	JPP1197CSA64 KSH1A001ZV
S/W	▲ SW97	/N1S	90M-SP000850R	90M-SP000850R	SW	JPP1197CSA64 KSH1A001ZV
<b>SBLR PCB (CUP11764-3)</b>						
SBLR	BK13		nsp	nsp	BRACKET	CMD1A387
SBLR	C160		90M-OF100370R	90M-OF100370R	FILM CAP	0.022UF 50V J HCQ1H223JZT
SBLR	C161		90M-OF100370R	90M-OF100370R	FILM CAP	0.022UF 50V J HCQ1H223JZT
SBLR	C162		90M-OF100370R	90M-OF100370R	FILM CAP	0.022UF 50V J HCQ1H223JZT
SBLR	C163		90M-OF100370R	90M-OF100370R	FILM CAP	0.022UF 50V J HCQ1H223JZT
SBLR	C164		nsp	nsp	CER. CAP.	1000PF 50V KB CCKT1H102KB
SBLR	C165		nsp	nsp	CER. CAP.	0.1UF 50V ZF CCFT1H104ZF
SBLR	C166		nsp	nsp	CER. CAP.	0.1UF 50V ZF CCFT1H104ZF
SBLR	CN81		nsp	nsp	JACK	CJP06GA19ZY
SBLR	CN82		90M-YP100250R	90M-YP100250R	JACK	MOLEX35328-02 KJP02GA89ZM
SBLR	CN83		90M-YP100250R	90M-YP100250R	JACK	MOLEX35328-02 KJP02GA89ZM
SBLR	CN84		nsp	nsp	JACK	CJP06GA19ZY
SBLR	D101		nsp	90M-HD201750R	DIODE	1N4003 KVD1N4003SRT
SBLR	JK14		90M-YT004330R	90M-YT004330R	TERMINAL	JB-405E-15 CJJ5P025Z
SBLR	Q103		90M-HT600040R	90M-HT600040R	TRS.	HVTKTA1267YT
SBLR	R130		nsp	nsp	RES.	10 OHM 1W J KRG1SANJ100RT
SBLR	R131		nsp	nsp	RES.	10 OHM 1W J KRG1SANJ100RT
SBLR	R132		nsp	nsp	RES.	10K OHM 1/5W J CRD20TJ103T
SBLR	R133		nsp	nsp	RES.	10K OHM 1/5W J CRD20TJ103T
SBLR	R134		nsp	nsp	RES.	390 OHM 1W J KRG1SANJ391RT
SBLR	R135		nsp	nsp	RES.	470 OHM 1W J KRG1SANJ471RT
SBLR	R136		nsp	nsp	RES.	10K OHM 1/5W J CRD20TJ103T
SBLR	RY11		00MLY20240490	00MLY20240490	RELAY	5GPA-28 DC24 HSL3B013ZE
SBLR	SW11		90M-SS000710R	90M-SS000710R	SW	KSS2B016Z
<b>SELECTOR PCB (CUUP11759-2)</b>						
SELECT	C841		nsp	nsp	CER. CAP.	0.1UF 50V Z HCBS1H104ZFT
SELECT	C871		nsp	nsp	CER. CAP.	100PF 50V K HCBS1H101KBT
SELECT	C872		nsp	nsp	CER. CAP.	100PF 50V K HCBS1H101KBT
SELECT	C873		nsp	nsp	CER. CAP.	100PF 50V K HCBS1H101KBT
SELECT	CN51		nsp	nsp	JACK	CJP07GA19ZY
SELECT	D801		90M-HI101090R	90M-HI101090R	L.E.D.	SPR-39MVW3 HVDSPR39MVW3
SELECT	EN82		90M-SR000270R	90M-SR000270R	ROTARY SW	EC16B12S0AD4ZZZ HSR2A032Z
SELECT	J822	/U1B	nsp	nsp	CONN. CORD	SN95/PB5 , 0.6 C3A206
SELECT	J823	/U1B	nsp	nsp	CONN. CORD	SN95/PB5 , 0.6 C3A206
SELECT	J825		nsp	nsp	CONN. CORD	SN95/PB5 , 0.6 C3A206
SELECT	J865		nsp	nsp	CONN. CORD	SN95/PB5 , 0.6 C3A206
SELECT	J873		nsp	nsp	CONN. CORD	SN95/PB5 , 0.6 C3A206
SELECT	Q806		00MBA10001000	00MBA10001000	TRS.	KRA102M HVTKRA102MT
SELECT	Q807		00MBA10001000	00MBA10001000	TRS.	KRA102M HVTKRA102MT
SELECT	R865		nsp	nsp	RES.	270 OHM 1/5W J CRD20TJ271T
SELECT	R871		nsp	nsp	RES.	10K OHM 1/5W J CRD20TJ103T
SELECT	R872		nsp	nsp	RES.	10K OHM 1/5W J CRD20TJ103T
SELECT	R873		nsp	nsp	RES.	10K OHM 1/5W J CRD20TJ103T
SELECT	R874		nsp	nsp	RES.	10K OHM 1/5W J CRD20TJ103T
SELECT	R875		nsp	nsp	RES.	220 OHM 1/5W J CRD20TJ221T
SELECT	SW98	/U1B	nsp	90M-SP001210R	SW	00802-0005 CST1A012ZT

NOTE : "nsp" PART IS LISTED FOR REFERENCE ONLY, MARANTZ WILL NOT SUPPLY THESE PARTS.

P.C.B. NAME	POS. NO.	VERS. COLOR	PART NO. (FOR EUR)	PART NO. (MJI)	PART NAME	DESCRIPTION
					<b>STANDBY PCB (CUP11764-2)</b>	
ST-BY	BK81		nsp	nsp	BRACKET	CMD1A387
ST-BY	BK82		nsp	nsp	BRACKET	CMD1A387
ST-BY	C881		nsp	nsp	CER. CAP.	0.1UF 50V Z HCBS1H104ZFT
ST-BY	C882		nsp	00MOA47505020	ELECT CAP.	4.7UF 50V HCEA1HH4R7T
ST-BY	C883		nsp	00MOA10701620	ELECT CAP.	100UF 16V HCEA1CH101T
ST-BY	C884		nsp	nsp	CER. CAP.	0.1UF 50V Z HCBS1H104ZFT
ST-BY	C885		nsp	nsp	CER. CAP.	0.1UF 50V Z HCBS1H104ZFT
ST-BY	C886		nsp	00MOA33802520	ELECT CAP.	3300UF 25V HCEA1EH332E
ST-BY	C887		nsp	nsp	CER. CAP.	1000PF 50V B HCBS1H102KBT
ST-BY	C888		90M-DK100810R	90M-DK100810R	CER. CAP.	DE1610-610F103M BCKWKH103MF
ST-BY	CN90		nsp	nsp	JACK	KJP05GB99ZM
ST-BY	CN91	/A1B	nsp	90M-YP100250R	JACK	MOLEX35328-02 KJP02GA89ZM
ST-BY	CN91	/A1S	nsp	90M-YP100250R	JACK	MOLEX35328-02 KJP02GA89ZM
ST-BY	CN91	/F1N	nsp	90M-YP100250R	JACK	MOLEX35328-02 KJP02GA89ZM
ST-BY	CN91	/K1G	nsp	90M-YP100250R	JACK	MOLEX35328-02 KJP02GA89ZM
ST-BY	CN91	/N1B	90M-YP100250R	90M-YP100250R	JACK	MOLEX35328-02 KJP02GA89ZM
ST-BY	CN91	/N1G	90M-YP100250R	90M-YP100250R	JACK	MOLEX35328-02 KJP02GA89ZM
ST-BY	CN91	/N1S	90M-YP100250R	90M-YP100250R	JACK	MOLEX35328-02 KJP02GA89ZM
ST-BY	CN92		90M-YP100250R	90M-YP100250R	JACK	MOLEX35328-02 KJP02GA89ZM
ST-BY	CN93		90M-YP100250R	90M-YP100250R	JACK	MOLEX35328-02 KJP02GA89ZM
ST-BY	D802		nsp	00MHD20015210	DIODE	1SS133T-77 HVD1SS133MT
ST-BY	D803		nsp	nsp	CONN. CORD	SN95/PB5 , 0.6 C3A206
ST-BY	D804		nsp	90M-HD201750R	DIODE	1N4003 KVD1N4003SRT
ST-BY	D805		nsp	nsp	CONN. CORD	SN95/PB5 , 0.6 C3A206
ST-BY	D806		00MHD30821000	00MHD30821000	ZENER DIODE	8.2V 1/2W HVDMTZJ8.2BT
ST-BY	D807		nsp	90M-HD201750R	DIODE	1N4003 KVD1N4003SRT
ST-BY	D808		nsp	90M-HD201750R	DIODE	1N4003 KVD1N4003SRT
ST-BY	D809		nsp	90M-HD201750R	DIODE	1N4003 KVD1N4003SRT
ST-BY	D810		nsp	90M-HD201750R	DIODE	1N4003 KVD1N4003SRT
ST-BY	D811		nsp	90M-HD201750R	DIODE	1N4003 KVD1N4003SRT
ST-BY	D812		nsp	90M-HD201750R	DIODE	1N4003 KVD1N4003SRT
ST-BY	D813		nsp	90M-HD201750R	DIODE	1N4003 KVD1N4003SRT
ST-BY	F801		nsp	nsp	FUSE HOLDER	KJCF5S
ST-BY	▲ F802	/F1N	nsp	90M-FS001070R	FUSE	KBA2D2500TLET
ST-BY	▲ F802	/L1G	nsp	90M-FS001070R	FUSE	KBA2D2500TLET
ST-BY	▲ F802	/U1B	nsp	90M-FS001070R	FUSE	KBA2D2500TLET
ST-BY	▲ F803	/F1N	nsp	90M-FS001070R	FUSE	KBA2D2500TLET
ST-BY	▲ F803	/L1G	nsp	90M-FS001070R	FUSE	KBA2D2500TLET
ST-BY	▲ F803	/N1B	90M-FS001070R	90M-FS001070R	FUSE	KBA2D2500TLET
ST-BY	▲ F803	/N1G	90M-FS001070R	90M-FS001070R	FUSE	KBA2D2500TLET
ST-BY	▲ F803	/N1S	90M-FS001070R	90M-FS001070R	FUSE	KBA2D2500TLET
ST-BY	▲ F803	/U1B	nsp	90M-FS001070R	FUSE	KBA2D2500TLET
ST-BY	IC84		90M-HC108410R	90M-HC108410R	IC	S-80842CNY-X HVIS-80842CNY-X
ST-BY	IC85		90M-HC300500R	90M-HC300500R	IC REG	KA7805-ABTU HVIMC7805C
ST-BY	J828		nsp	nsp	CONN. CORD	SN95/PB5 , 0.6 C3A206
ST-BY	J829		nsp	nsp	CONN. CORD	SN95/PB5 , 0.6 C3A206
ST-BY	J830		nsp	nsp	CONN. CORD	SN95/PB5 , 0.6 C3A206
ST-BY	J831	/L1G	nsp	nsp	CONN. CORD	SN95/PB5 , 0.6 C3A206
ST-BY	J831	/U1B	nsp	nsp	CONN. CORD	SN95/PB5 , 0.6 C3A206
ST-BY	J834		nsp	nsp	CONN. CORD	SN95/PB5 , 0.6 C3A206
ST-BY	J889	/N1B	nsp	nsp	CONN. CORD	SN95/PB5 , 0.6 C3A206
ST-BY	J889	/N1G	nsp	nsp	CONN. CORD	SN95/PB5 , 0.6 C3A206
ST-BY	J889	/N1S	nsp	nsp	CONN. CORD	SN95/PB5 , 0.6 C3A206
ST-BY	JK85	/F1N	nsp	90M-YT002410R	TERMINAL	A204D0041P KJJ7A015Z
ST-BY	JK85	/L1G	nsp	90M-YT002410R	TERMINAL	A204D0041P KJJ7A015Z
ST-BY	JK85	/U1B	nsp	90M-YT002410R	TERMINAL	A204D0041P KJJ7A015Z
ST-BY	JK86	/N1B	90M-YT002430R	90M-YT002430R	TERMINAL	A302D0061P KJJ7A022Z
ST-BY	JK86	/N1G	90M-YT002430R	90M-YT002430R	TERMINAL	A302D0061P KJJ7A022Z
ST-BY	JK86	/N1S	90M-YT002430R	90M-YT002430R	TERMINAL	A302D0061P KJJ7A022Z
ST-BY	▲ L801		00MLY10090010	00MLY10090010	RELAY	SDT-S-109DMR HSL1D016ZE
ST-BY	Q804		00MBA20001000	00MBA20001000	TRS.	KRC102M HVTKRC102MT
ST-BY	Q805		90M-HT600040R	90M-HT600040R	TRS.	HVTKTA1267YT
ST-BY	R881		nsp	nsp	RES.	47K OHM 1/5W J CRD20TJ473T
ST-BY	R882		nsp	nsp	RES.	10K OHM 1/5W J CRD20TJ103T
ST-BY	R883		nsp	nsp	RES.	2.2K OHM 1/5W J CRD20TJ222T

NOTE : "nsp" PART IS LISTED FOR REFERENCE ONLY, MARANTZ WILL NOT SUPPLY THESE PARTS.

P.C.B. NAME	POS. NO.	VERS. COLOR	PART NO. (FOR EUR)	PART NO. (MJI)	PART NAME	DESCRIPTION
ST-BY	R885		nsp	nsp	RES.	1 OHM 1/5W J CRD20TJ1R0T
ST-BY	R886	/U1B	nsp	90M-GG000010R	RES.	3.3M OHM 1/2W BRDERC12UGK335T
ST-BY	R887		nsp	nsp	RES.	4.7K OHM 1/5W J CRD20TJ472T
ST-BY	R888		nsp	nsp	RES.	10K OHM 1/5W J CRD20TJ103T
ST-BY	▲ T801	/A1B	nsp	90M-TS002400R	TRANSF.	SR5500 SUBTRANS CLT5I002ZW
ST-BY	▲ T801	/A1S	nsp	90M-TS002400R	TRANSF.	SR5500 SUBTRANS CLT5I002ZW
ST-BY	▲ T801	/F1N	nsp	90M-TS001960R	TRANSF.	PS5400(6400)/F1 CLT5I002ZJ
ST-BY	▲ T801	/K1G	nsp	90M-TS001950R	TRANSF.	SR5400(6400)/K1 CLT5I002ZH
ST-BY	▲ T801	/L1G	nsp	90M-TS002090R	TRANSF.	SR5400(6400)/L1 CLT5I002ZS
ST-BY	▲ T801	/N1B	90M-TS001940R	90M-TS001940R	TRANSF.	SR5400(6400)/N1 CLT5I002ZE
ST-BY	▲ T801	/N1G	90M-TS001940R	90M-TS001940R	TRANSF.	SR5400(6400)/N1 CLT5I002ZE
ST-BY	▲ T801	/N1S	90M-TS001940R	90M-TS001940R	TRANSF.	SR5400(6400)/N1 CLT5I002ZE
ST-BY	▲ T801	/U1B	nsp	90M-TS001970R	TRANSF.	SR5400(6400)/U1 CLT5I002ZU
<b>TUNER PCB (CUP11764-5)</b>						
TUNER	C397	/F1N	nsp	nsp	CER. CAP.	0.01UF 50V ZF CCKT1H103ZF
TUNER	C398	/F1N	nsp	nsp	CER. CAP.	0.01UF 50V ZF CCKT1H103ZF
TUNER	CN32	/F1N	nsp	nsp	JACK	KJP03GA19ZM
TUNER	JK27	/F1N	nsp	90M-YT003180R	TERMINAL	JACK , BOARD CJJ4N063Z
TUNER	R394	/F1N	nsp	nsp	RES.	100 OHM 1/5W J CRD20TJ101T
TUNER	R395	/F1N	nsp	nsp	RES.	100 OHM 1/5W J CRD20TJ101T
TUNER	R396	/F1N	nsp	nsp	RES.	82K OHM 1/5W J CRD20TJ823T
TUNER	R397	/F1N	nsp	nsp	RES.	82K OHM 1/5W J CRD20TJ823T
<b>VIDEO PCB (CUP11763-2)</b>						
VIDEO	C702		nsp	00MOA10605020	ELECT CAP.	10UF 50V HCEA1HH100T
VIDEO	C704		nsp	00MOA10605020	ELECT CAP.	10UF 50V HCEA1HH100T
VIDEO	C706		nsp	00MOA10605020	ELECT CAP.	10UF 50V HCEA1HH100T
VIDEO	C707		nsp	nsp	CER. CAP.	47PF 50V JC CCCT1H470JC
VIDEO	C708		nsp	00MOA47701020	ELECT CAP.	470UF 10V HCEA1AH471T
VIDEO	C710		nsp	00MOA10605020	ELECT CAP.	10UF 50V HCEA1HH100T
VIDEO	C711		nsp	nsp	CER. CAP.	47PF 50V JC CCCT1H470JC
VIDEO	C712		nsp	00MOA47701020	ELECT CAP.	470UF 10V HCEA1AH471T
VIDEO	C713		nsp	nsp	CER. CAP.	68PF 50V JC CCCT1H680JC
VIDEO	C714		nsp	00MOA47701020	ELECT CAP.	470UF 10V HCEA1AH471T
VIDEO	C715		nsp	00MOA10605020	ELECT CAP.	10UF 50V HCEA1HH100T
VIDEO	C716		nsp	00MOA10605020	ELECT CAP.	10UF 50V HCEA1HH100T
VIDEO	C717		nsp	00MOA10605020	ELECT CAP.	10UF 50V HCEA1HH100T
VIDEO	C719		nsp	00MOA10605020	ELECT CAP.	10UF 50V HCEA1HH100T
VIDEO	C720		nsp	00MOA10605020	ELECT CAP.	10UF 50V HCEA1HH100T
VIDEO	C722		nsp	00MOA10605020	ELECT CAP.	10UF 50V HCEA1HH100T
VIDEO	C723		nsp	00MOA10605020	ELECT CAP.	10UF 50V HCEA1HH100T
VIDEO	C725		nsp	00MOA10605020	ELECT CAP.	10UF 50V HCEA1HH100T
VIDEO	C726		nsp	00MOA10605020	ELECT CAP.	10UF 50V HCEA1HH100T
VIDEO	C727		nsp	nsp	CER. CAP.	47PF 50V JC CCCT1H470JC
VIDEO	C728		nsp	00MOA47701020	ELECT CAP.	470UF 10V HCEA1AH471T
VIDEO	C729		nsp	nsp	CER. CAP.	47PF 50V JC CCCT1H470JC
VIDEO	C730		nsp	00MOA10605020	ELECT CAP.	10UF 50V HCEA1HH100T
VIDEO	C732		nsp	00MOA10605020	ELECT CAP.	10UF 50V HCEA1HH100T
VIDEO	C733		nsp	00MOA10605020	ELECT CAP.	10UF 50V HCEA1HH100T
VIDEO	C734		nsp	nsp	CER. CAP.	47PF 50V JC CCCT1H470JC
VIDEO	C735		nsp	00MOA47701020	ELECT CAP.	470UF 10V HCEA1AH471T
VIDEO	C736		nsp	nsp	CER. CAP.	47PF 50V JC CCCT1H470JC
VIDEO	C737		nsp	00MOA10605020	ELECT CAP.	10UF 50V HCEA1HH100T
VIDEO	C738		nsp	nsp	CER. CAP.	68PF 50V JC CCCT1H680JC
VIDEO	C739		nsp	00MOA47701020	ELECT CAP.	470UF 10V HCEA1AH471T
VIDEO	C740		nsp	nsp	CER. CAP.	68PF 50V JC CCCT1H680JC
VIDEO	C741		nsp	00MOA10605020	ELECT CAP.	10UF 50V HCEA1HH100T
VIDEO	C742		nsp	00MOA10605020	ELECT CAP.	10UF 50V HCEA1HH100T
VIDEO	C743		nsp	nsp	CONN. CORD	SN95/PB5 , 0.6 C3A206
VIDEO	C744		nsp	00MOA22505020	ELECT CAP.	2.2UF 50V HCEA1HH2R2T
VIDEO	C745		nsp	00MOA10605020	ELECT CAP.	10UF 50V HCEA1HH100T
VIDEO	C746		nsp	00MOA10605020	ELECT CAP.	10UF 50V HCEA1HH100T
VIDEO	C747		nsp	00MOA10605020	ELECT CAP.	10UF 50V HCEA1HH100T
VIDEO	C748		nsp	nsp	CER. CAP.	0.01UF 50V ZF CCKT1H103ZF
VIDEO	C749		nsp	00MOA10701620	ELECT CAP.	100UF 16V HCEA1CH101T
VIDEO	C751		nsp	00MOA47505020	ELECT CAP.	4.7UF 50V HCEA1HH4R7T
VIDEO	C752		nsp	00MOA10605020	ELECT CAP.	10UF 50V HCEA1HH100T

NOTE : "nsp" PART IS LISTED FOR REFERENCE ONLY, MARANTZ WILL NOT SUPPLY THESE PARTS.



P.C.B. NAME	POS. NO.	VERS. COLOR	PART NO. (FOR EUR)	PART NO. (MJI)	PART NAME	DESCRIPTION
VIDEO	C753		nsp	00MOA10701620	ELECT CAP.	100UF 16V HCEA1CH101T
VIDEO	C754		nsp	nsp	CER. CAP.	0.01UF 50V ZF CCKT1H103ZF
VIDEO	C755		nsp	nsp	CER. CAP.	47PF 50V JC CCCT1H470JC
VIDEO	C756		nsp	nsp	CER. CAP.	0.01UF 50V ZF CCKT1H103ZF
VIDEO	C757		nsp	00MOA10701620	ELECT CAP.	100UF 16V HCEA1CH101T
VIDEO	C758		nsp	00MOA10701620	ELECT CAP.	100UF 16V HCEA1CH101T
VIDEO	C759		nsp	nsp	CER. CAP.	0.01UF 50V ZF CCKT1H103ZF
VIDEO	C760		nsp	nsp	CER. CAP.	47PF 50V JC CCCT1H470JC
VIDEO	C761		nsp	nsp	CER. CAP.	0.01UF 50V ZF CCKT1H103ZF
VIDEO	C762		nsp	00MOA10701620	ELECT CAP.	100UF 16V HCEA1CH101T
VIDEO	C763		nsp	00MOA10701620	ELECT CAP.	100UF 16V HCEA1CH101T
VIDEO	C764		nsp	nsp	CER. CAP.	0.01UF 50V ZF CCKT1H103ZF
VIDEO	C765		nsp	nsp	CER. CAP.	47PF 50V JC CCCT1H470JC
VIDEO	C766		nsp	nsp	CER. CAP.	0.01UF 50V ZF CCKT1H103ZF
VIDEO	C767		nsp	00MOA10701620	ELECT CAP.	100UF 16V HCEA1CH101T
VIDEO	C768		nsp	nsp	CER. CAP.	1200PF 50V KB CCKT1H122KB
VIDEO	C769		nsp	00MOA10505020	ELECT CAP.	1UF 50V HCEA1HH1ROT
VIDEO	C770		nsp	nsp	CER. CAP.	0.01UF 50V ZF CCKT1H103ZF
VIDEO	C771		nsp	00MOA10701620	ELECT CAP.	100UF 16V HCEA1CH101T
VIDEO	C773		nsp	nsp	CER. CAP.	CCCT1H240JC
VIDEO	C774		nsp	nsp	CER. CAP.	22PF 50V JC CCCT1H220JC
VIDEO	C775		nsp	00MOA10505020	ELECT CAP.	1UF 50V HCEA1HH1ROT
VIDEO	C776		nsp	nsp	CER. CAP.	0.01UF 50V ZF CCKT1H103ZF
VIDEO	C777		nsp	nsp	CER. CAP.	CCCT1H300JC
VIDEO	C778	/A1B	nsp	nsp	CER. CAP.	22PF 50V JC CCCT1H270JC
VIDEO	C778	/A1S	nsp	nsp	CER. CAP.	22PF 50V JC CCCT1H270JC
VIDEO	C778	/F1N	nsp	nsp	CER. CAP.	CCCT1H300JC
VIDEO	C778	/K1G	nsp	nsp	CER. CAP.	22PF 50V JC CCCT1H270JC
VIDEO	C778	/L1G	nsp	nsp	CER. CAP.	CCCT1H300JC
VIDEO	C778	/N1B	nsp	nsp	CER. CAP.	22PF 50V JC CCCT1H270JC
VIDEO	C778	/N1G	nsp	nsp	CER. CAP.	22PF 50V JC CCCT1H270JC
VIDEO	C778	/N1S	nsp	nsp	CER. CAP.	22PF 50V JC CCCT1H270JC
VIDEO	C778	/U1B	nsp	nsp	CER. CAP.	CCCT1H300JC
VIDEO	C779		nsp	00MOA10605020	ELECT CAP.	10UF 50V HCEA1HH100T
VIDEO	C780		nsp	nsp	CER. CAP.	47PF 50V JC CCCT1H470JC
VIDEO	C781		nsp	nsp	CER. CAP.	1000PF 50V KB CCKT1H102KB
VIDEO	C782		nsp	nsp	CER. CAP.	220PF 50V KB CCKT1H221KB
VIDEO	C783		nsp	00MOA10605020	ELECT CAP.	10UF 50V HCEA1HH100T
VIDEO	C785		nsp	nsp	CER. CAP.	0.01UF 50V ZF CCKT1H103ZF
VIDEO	C786		nsp	nsp	CER. CAP.	0.01UF 50V ZF CCKT1H103ZF
VIDEO	C787		nsp	00MOA10701620	ELECT CAP.	100UF 16V HCEA1CH101T
VIDEO	C788		nsp	00MOA10605020	ELECT CAP.	10UF 50V HCEA1HH100T
VIDEO	C789		nsp	00MOA10605020	ELECT CAP.	10UF 50V HCEA1HH100T
VIDEO	C790		nsp	nsp	CER. CAP.	0.01UF 50V ZF CCKT1H103ZF
VIDEO	C791		nsp	nsp	CER. CAP.	0.01UF 50V ZF CCKT1H103ZF
VIDEO	C792		nsp	00MOA10701620	ELECT CAP.	100UF 16V HCEA1CH101T
VIDEO	C793		nsp	nsp	CER. CAP.	0.022UF 50V ZF CCKT1H223ZF
VIDEO	C794		nsp	nsp	CER. CAP.	47PF 50V JC CCCT1H470JC
VIDEO	C795		nsp	00MOA10701620	ELECT CAP.	100UF 16V HCEA1CH101T
VIDEO	C796		nsp	nsp	CER. CAP.	0.01UF 50V ZF CCKT1H103ZF
VIDEO	C797		nsp	00MOA10605020	ELECT CAP.	10UF 50V HCEA1HH100T
VIDEO	C798		nsp	nsp	CER. CAP.	0.01UF 50V ZF CCKT1H103ZF
VIDEO	C799		nsp	nsp	CER. CAP.	0.01UF 50V ZF CCKT1H103ZF
VIDEO	C800		nsp	00MOA10605020	ELECT CAP.	10UF 50V HCEA1HH100T
VIDEO	C802		nsp	00MOA10605020	ELECT CAP.	10UF 50V HCEA1HH100T
VIDEO	C803		nsp	nsp	CER. CAP.	0.01UF 50V ZF CCKT1H103ZF
VIDEO	C804		nsp	nsp	CER. CAP.	0.01UF 50V ZF CCKT1H103ZF
VIDEO	C805		nsp	00MOA10701620	ELECT CAP.	100UF 16V HCEA1CH101T
VIDEO	C806		nsp	nsp	CER. CAP.	0.01UF 50V ZF CCKT1H103ZF
VIDEO	C807		nsp	nsp	CER. CAP.	1000PF 50V KB CCKT1H102KB
VIDEO	C808		nsp	nsp	CER. CAP.	50V 0.1UF CCKT1H104ZF
VIDEO	C811		nsp	00MOA10701620	ELECT CAP.	100UF 16V HCEA1CH101T
VIDEO	C812		nsp	nsp	CER. CAP.	0.01UF 50V ZF CCKT1H103ZF
VIDEO	C813		nsp	nsp	CER. CAP.	0.01UF 50V ZF CCKT1H103ZF
VIDEO	C814		nsp	00MOA10605020	ELECT CAP.	10UF 50V HCEA1HH100T
VIDEO	C815		nsp	nsp	CER. CAP.	47PF 50V JC CCCT1H470JC

NOTE : "nsp" PART IS LISTED FOR REFERENCE ONLY, MARANTZ WILL NOT SUPPLY THESE PARTS.

P.C.B. NAME	POS. NO.	VERS. COLOR	PART NO. (FOR EUR)	PART NO. (MJI)	PART NAME	DESCRIPTION
VIDEO	C817		nsp	00MOA10701620	ELECT CAP.	100UF 16V HCEA1CH101T
VIDEO	C818		nsp	nsp	CER. CAP.	0.01UF 50V ZF CCKT1H103ZF
VIDEO	C819		nsp	nsp	CER. CAP.	0.01UF 50V ZF CCKT1H103ZF
VIDEO	C820		nsp	00MOA10701620	ELECT CAP.	100UF 16V HCEA1CH101T
VIDEO	C821		nsp	nsp	CER. CAP.	68PF 50V JC CCCT1H680JC
VIDEO	C822		nsp	00MOA47701020	ELECT CAP.	470UF 10V HCEA1AH471T
VIDEO	C823		nsp	00MOA10605020	ELECT CAP.	10UF 50V HCEA1HH100T
VIDEO	C824		nsp	00MOA10605020	ELECT CAP.	10UF 50V HCEA1HH100T
VIDEO	C825		nsp	00MOA10605020	ELECT CAP.	10UF 50V HCEA1HH100T
VIDEO	C827		nsp	nsp	CER. CAP.	1000PF 50V KB CCKT1H102KB
VIDEO	C828		nsp	nsp	CER. CAP.	0.01UF 50V ZF CCKT1H103ZF
VIDEO	C829		nsp	nsp	CER. CAP.	47PF 50V JC CCCT1H470JC
VIDEO	C830		nsp	nsp	CER. CAP.	47PF 50V JC CCCT1H470JC
VIDEO	C831		nsp	00MOA10605020	ELECT CAP.	10UF 50V HCEA1HH100T
VIDEO	C833		nsp	00MOA10605020	ELECT CAP.	10UF 50V HCEA1HH100T
VIDEO	C834		nsp	00MOA10605020	ELECT CAP.	10UF 50V HCEA1HH100T
VIDEO	CN12		nsp	nsp	JACK	CJP05GA19ZY
VIDEO	CN21		nsp	nsp	JACK	CJP06GA19ZY
VIDEO	CN37		nsp	nsp	JACK	CJP11GA117ZY
VIDEO	CN41		nsp	nsp	JACK	CJP06GA19ZY
VIDEO	D701		nsp	00MHD20015210	DIODE	1SS133T-77 HVD1SS133MT
VIDEO	D702		nsp	00MHD20015210	DIODE	1SS133T-77 HVD1SS133MT
VIDEO	D704		nsp	00MHD20015210	DIODE	1SS133T-77 HVD1SS133MT
VIDEO	D705		nsp	90M-HD201750R	DIODE	1N4003 KVD1N4003SRT
VIDEO	D706		nsp	00MHD20015210	DIODE	1SS133T-77 HVD1SS133MT
VIDEO	D707		nsp	00MHD20015210	DIODE	1SS133T-77 HVD1SS133MT
VIDEO	IC71		00MHC10227090	00MHC10227090	IC	NJM2595D HVINJM2595D
VIDEO	IC72		00MHC10227090	00MHC10227090	IC	NJM2595D HVINJM2595D
VIDEO	IC73		00MHC10227090	00MHC10227090	IC	NJM2595D HVINJM2595D
VIDEO	IC74		90M-HC108400R	90M-HC108400R	IC	NJM2535D HVINJM2535D
VIDEO	IC75		00MHC10185090	00MHC10185090	IC	NJM2264D HVINJM2264D
VIDEO	IC76		00MHC10119090	00MHC10119090	IC	NJM2244D HVINJM2244D
VIDEO	IC77		00MHC10119090	00MHC10119090	IC	NJM2244D HVINJM2244D
VIDEO	IC78		00MHC10377030	00MHC10377030	IC	LC74781-9013 HVILC74781-9013
VIDEO	IC79		90M-HC108420R	90M-HC108420R	IC	TC74HC4094AP HVITC74HC4094AP
VIDEO	IC80		90M-HC108420R	90M-HC108420R	IC	TC74HC4094AP HVITC74HC4094AP
VIDEO	IC81		00MHC10227090	00MHC10227090	IC	NJM2595D HVINJM2595D
VIDEO	IC82		00MHC10119090	00MHC10119090	IC	NJM2244D HVINJM2244D
VIDEO	J700		nsp	nsp	CONN. CORD	SN95/PB5 , 0.6 C3A206
VIDEO	J701		nsp	nsp	CONN. CORD	SN95/PB5 , 0.6 C3A206
VIDEO	J702		nsp	nsp	CONN. CORD	SN95/PB5 , 0.6 C3A206
VIDEO	J703		nsp	nsp	CONN. CORD	SN95/PB5 , 0.6 C3A206
VIDEO	J704		nsp	nsp	CONN. CORD	SN95/PB5 , 0.6 C3A206
VIDEO	J705		nsp	nsp	CONN. CORD	SN95/PB5 , 0.6 C3A206
VIDEO	J706		nsp	nsp	CONN. CORD	SN95/PB5 , 0.6 C3A206
VIDEO	J707		nsp	nsp	CONN. CORD	SN95/PB5 , 0.6 C3A206
VIDEO	J708		nsp	nsp	CONN. CORD	SN95/PB5 , 0.6 C3A206
VIDEO	J709		nsp	nsp	CONN. CORD	SN95/PB5 , 0.6 C3A206
VIDEO	J710		nsp	nsp	CONN. CORD	SN95/PB5 , 0.6 C3A206
VIDEO	J711		nsp	nsp	CONN. CORD	SN95/PB5 , 0.6 C3A206
VIDEO	J712		nsp	nsp	CONN. CORD	SN95/PB5 , 0.6 C3A206
VIDEO	J713		nsp	nsp	CONN. CORD	SN95/PB5 , 0.6 C3A206
VIDEO	J714		nsp	nsp	CONN. CORD	SN95/PB5 , 0.6 C3A206
VIDEO	J715		nsp	nsp	CONN. CORD	SN95/PB5 , 0.6 C3A206
VIDEO	J716		nsp	nsp	CONN. CORD	SN95/PB5 , 0.6 C3A206
VIDEO	J717		nsp	nsp	CONN. CORD	SN95/PB5 , 0.6 C3A206
VIDEO	J718		nsp	nsp	CONN. CORD	SN95/PB5 , 0.6 C3A206
VIDEO	J719		nsp	nsp	CONN. CORD	SN95/PB5 , 0.6 C3A206
VIDEO	J720		nsp	nsp	CONN. CORD	SN95/PB5 , 0.6 C3A206
VIDEO	J721		nsp	nsp	CONN. CORD	SN95/PB5 , 0.6 C3A206
VIDEO	J722		nsp	nsp	CONN. CORD	SN95/PB5 , 0.6 C3A206
VIDEO	J723		nsp	nsp	CONN. CORD	SN95/PB5 , 0.6 C3A206
VIDEO	J724		nsp	nsp	CONN. CORD	SN95/PB5 , 0.6 C3A206
VIDEO	J725		nsp	nsp	CONN. CORD	SN95/PB5 , 0.6 C3A206
VIDEO	J726		nsp	nsp	CONN. CORD	SN95/PB5 , 0.6 C3A206
VIDEO	J727		nsp	nsp	CONN. CORD	SN95/PB5 , 0.6 C3A206

NOTE : "nsp" PART IS LISTED FOR REFERENCE ONLY, MARANTZ WILL NOT SUPPLY THESE PARTS.

P.C.B. NAME	POS. NO.	VERS. COLOR	PART NO. (FOR EUR)	PART NO. (MJI)	PART NAME	DESCRIPTION
VIDEO	J728		nsp	nsp	CONN. CORD	SN95/PB5 , 0.6 C3A206
VIDEO	J729		nsp	nsp	CONN. CORD	SN95/PB5 , 0.6 C3A206
VIDEO	J730		nsp	nsp	CONN. CORD	SN95/PB5 , 0.6 C3A206
VIDEO	J731		nsp	nsp	CONN. CORD	SN95/PB5 , 0.6 C3A206
VIDEO	J732		nsp	nsp	CONN. CORD	SN95/PB5 , 0.6 C3A206
VIDEO	J733		nsp	nsp	CONN. CORD	SN95/PB5 , 0.6 C3A206
VIDEO	J734		nsp	nsp	CONN. CORD	SN95/PB5 , 0.6 C3A206
VIDEO	J735		nsp	nsp	CONN. CORD	SN95/PB5 , 0.6 C3A206
VIDEO	J736		nsp	nsp	CONN. CORD	SN95/PB5 , 0.6 C3A206
VIDEO	J737		nsp	nsp	CONN. CORD	SN95/PB5 , 0.6 C3A206
VIDEO	J738		nsp	nsp	CONN. CORD	SN95/PB5 , 0.6 C3A206
VIDEO	J739		nsp	nsp	CONN. CORD	SN95/PB5 , 0.6 C3A206
VIDEO	J740		nsp	nsp	CONN. CORD	SN95/PB5 , 0.6 C3A206
VIDEO	J741		nsp	nsp	CONN. CORD	SN95/PB5 , 0.6 C3A206
VIDEO	J742		nsp	nsp	CONN. CORD	SN95/PB5 , 0.6 C3A206
VIDEO	J743		nsp	nsp	CONN. CORD	SN95/PB5 , 0.6 C3A206
VIDEO	J744		nsp	nsp	CONN. CORD	SN95/PB5 , 0.6 C3A206
VIDEO	J745		nsp	nsp	CONN. CORD	SN95/PB5 , 0.6 C3A206
VIDEO	J746		nsp	nsp	CONN. CORD	SN95/PB5 , 0.6 C3A206
VIDEO	J747		nsp	nsp	CONN. CORD	SN95/PB5 , 0.6 C3A206
VIDEO	J748		nsp	nsp	CONN. CORD	SN95/PB5 , 0.6 C3A206
VIDEO	J749		nsp	nsp	CONN. CORD	SN95/PB5 , 0.6 C3A206
VIDEO	J750		nsp	nsp	CONN. CORD	SN95/PB5 , 0.6 C3A206
VIDEO	J751		nsp	nsp	CONN. CORD	SN95/PB5 , 0.6 C3A206
VIDEO	J752		nsp	nsp	CONN. CORD	SN95/PB5 , 0.6 C3A206
VIDEO	J753		nsp	nsp	CONN. CORD	SN95/PB5 , 0.6 C3A206
VIDEO	J754		nsp	nsp	CONN. CORD	SN95/PB5 , 0.6 C3A206
VIDEO	J755		nsp	nsp	CONN. CORD	SN95/PB5 , 0.6 C3A206
VIDEO	J756		nsp	nsp	CONN. CORD	SN95/PB5 , 0.6 C3A206
VIDEO	J757		nsp	nsp	CONN. CORD	SN95/PB5 , 0.6 C3A206
VIDEO	J758		nsp	nsp	CONN. CORD	SN95/PB5 , 0.6 C3A206
VIDEO	J759		nsp	nsp	CONN. CORD	SN95/PB5 , 0.6 C3A206
VIDEO	J760		nsp	nsp	CONN. CORD	SN95/PB5 , 0.6 C3A206
VIDEO	J761		nsp	nsp	CONN. CORD	SN95/PB5 , 0.6 C3A206
VIDEO	J762		nsp	nsp	CONN. CORD	SN95/PB5 , 0.6 C3A206
VIDEO	J763		nsp	nsp	CONN. CORD	SN95/PB5 , 0.6 C3A206
VIDEO	J764		nsp	nsp	CONN. CORD	SN95/PB5 , 0.6 C3A206
VIDEO	J765		nsp	nsp	CONN. CORD	SN95/PB5 , 0.6 C3A206
VIDEO	J766		nsp	nsp	CONN. CORD	SN95/PB5 , 0.6 C3A206
VIDEO	J767		nsp	nsp	CONN. CORD	SN95/PB5 , 0.6 C3A206
VIDEO	J768		nsp	nsp	CONN. CORD	SN95/PB5 , 0.6 C3A206
VIDEO	J769		nsp	nsp	CONN. CORD	SN95/PB5 , 0.6 C3A206
VIDEO	J770		nsp	nsp	CONN. CORD	SN95/PB5 , 0.6 C3A206
VIDEO	J771		nsp	nsp	CONN. CORD	SN95/PB5 , 0.6 C3A206
VIDEO	J772		nsp	nsp	CONN. CORD	SN95/PB5 , 0.6 C3A206
VIDEO	J773		nsp	nsp	CONN. CORD	SN95/PB5 , 0.6 C3A206
VIDEO	J774		nsp	nsp	CONN. CORD	SN95/PB5 , 0.6 C3A206
VIDEO	J775		nsp	nsp	CONN. CORD	SN95/PB5 , 0.6 C3A206
VIDEO	J776		nsp	nsp	CONN. CORD	SN95/PB5 , 0.6 C3A206
VIDEO	J777		nsp	nsp	CONN. CORD	SN95/PB5 , 0.6 C3A206
VIDEO	J778		nsp	nsp	CONN. CORD	SN95/PB5 , 0.6 C3A206
VIDEO	J779		nsp	nsp	CONN. CORD	SN95/PB5 , 0.6 C3A206
VIDEO	J780		nsp	nsp	CONN. CORD	SN95/PB5 , 0.6 C3A206
VIDEO	J781		nsp	nsp	CONN. CORD	SN95/PB5 , 0.6 C3A206
VIDEO	J782		nsp	nsp	CONN. CORD	SN95/PB5 , 0.6 C3A206
VIDEO	J783		nsp	nsp	CONN. CORD	SN95/PB5 , 0.6 C3A206
VIDEO	J784		nsp	nsp	CONN. CORD	SN95/PB5 , 0.6 C3A206
VIDEO	J785		nsp	nsp	CONN. CORD	SN95/PB5 , 0.6 C3A206
VIDEO	J786		nsp	nsp	CONN. CORD	SN95/PB5 , 0.6 C3A206
VIDEO	J787		nsp	nsp	CONN. CORD	SN95/PB5 , 0.6 C3A206
VIDEO	J788		nsp	nsp	CONN. CORD	SN95/PB5 , 0.6 C3A206
VIDEO	J789		nsp	nsp	CONN. CORD	SN95/PB5 , 0.6 C3A206
VIDEO	J790		nsp	nsp	CONN. CORD	SN95/PB5 , 0.6 C3A206
VIDEO	J791		nsp	nsp	CONN. CORD	SN95/PB5 , 0.6 C3A206
VIDEO	J792		nsp	nsp	CONN. CORD	SN95/PB5 , 0.6 C3A206
VIDEO	J793		nsp	nsp	CONN. CORD	SN95/PB5 , 0.6 C3A206

NOTE : "nsp" PART IS LISTED FOR REFERENCE ONLY, MARANTZ WILL NOT SUPPLY THESE PARTS.

P.C.B. NAME	POS. NO.	VERS. COLOR	PART NO. (FOR EUR)	PART NO. (MJI)	PART NAME	DESCRIPTION	
VIDEO	J794		nsp	nsp	CONN. CORD	SN95/PB5 , 0.6	C3A206
VIDEO	J795		nsp	nsp	CONN. CORD	SN95/PB5 , 0.6	C3A206
VIDEO	J796		nsp	nsp	CONN. CORD	SN95/PB5 , 0.6	C3A206
VIDEO	J797		nsp	nsp	CONN. CORD	SN95/PB5 , 0.6	C3A206
VIDEO	J798		nsp	nsp	CONN. CORD	SN95/PB5 , 0.6	C3A206
VIDEO	J799		nsp	nsp	CONN. CORD	SN95/PB5 , 0.6	C3A206
VIDEO	J800		nsp	nsp	CONN. CORD	SN95/PB5 , 0.6	C3A206
VIDEO	J801		nsp	nsp	CONN. CORD	SN95/PB5 , 0.6	C3A206
VIDEO	J802		nsp	nsp	CONN. CORD	SN95/PB5 , 0.6	C3A206
VIDEO	J803		nsp	nsp	CONN. CORD	SN95/PB5 , 0.6	C3A206
VIDEO	J804		nsp	nsp	CONN. CORD	SN95/PB5 , 0.6	C3A206
VIDEO	J805		nsp	nsp	CONN. CORD	SN95/PB5 , 0.6	C3A206
VIDEO	J806		nsp	nsp	CONN. CORD	SN95/PB5 , 0.6	C3A206
VIDEO	J807		nsp	nsp	CONN. CORD	SN95/PB5 , 0.6	C3A206
VIDEO	J808		nsp	nsp	CONN. CORD	SN95/PB5 , 0.6	C3A206
VIDEO	J809		nsp	nsp	CONN. CORD	SN95/PB5 , 0.6	C3A206
VIDEO	J810		nsp	nsp	CONN. CORD	SN95/PB5 , 0.6	C3A206
VIDEO	J811		nsp	nsp	CONN. CORD	SN95/PB5 , 0.6	C3A206
VIDEO	J812		nsp	nsp	CONN. CORD	SN95/PB5 , 0.6	C3A206
VIDEO	J813		nsp	nsp	CONN. CORD	SN95/PB5 , 0.6	C3A206
VIDEO	J814		nsp	nsp	CONN. CORD	SN95/PB5 , 0.6	C3A206
VIDEO	J815		nsp	nsp	CONN. CORD	SN95/PB5 , 0.6	C3A206
VIDEO	J816		nsp	nsp	CONN. CORD	SN95/PB5 , 0.6	C3A206
VIDEO	J817		nsp	nsp	CONN. CORD	SN95/PB5 , 0.6	C3A206
VIDEO	J818		nsp	nsp	CONN. CORD	SN95/PB5 , 0.6	C3A206
VIDEO	J819		nsp	nsp	CONN. CORD	SN95/PB5 , 0.6	C3A206
VIDEO	J820		nsp	nsp	CONN. CORD	SN95/PB5 , 0.6	C3A206
VIDEO	J821		nsp	nsp	CONN. CORD	SN95/PB5 , 0.6	C3A206
VIDEO	J822		nsp	nsp	CONN. CORD	SN95/PB5 , 0.6	C3A206
VIDEO	J823		nsp	nsp	CONN. CORD	SN95/PB5 , 0.6	C3A206
VIDEO	J824		nsp	nsp	CONN. CORD	SN95/PB5 , 0.6	C3A206
VIDEO	J825		nsp	nsp	CONN. CORD	SN95/PB5 , 0.6	C3A206
VIDEO	J827		nsp	nsp	CONN. CORD	SN95/PB5 , 0.6	C3A206
VIDEO	J828		nsp	nsp	CONN. CORD	SN95/PB5 , 0.6	C3A206
VIDEO	J829		nsp	nsp	CONN. CORD	SN95/PB5 , 0.6	C3A206
VIDEO	J830		nsp	nsp	CONN. CORD	SN95/PB5 , 0.6	C3A206
VIDEO	J831		nsp	nsp	CONN. CORD	SN95/PB5 , 0.6	C3A206
VIDEO	J832		nsp	nsp	CONN. CORD	SN95/PB5 , 0.6	C3A206
VIDEO	J833		nsp	nsp	CONN. CORD	SN95/PB5 , 0.6	C3A206
VIDEO	J834		nsp	nsp	CONN. CORD	SN95/PB5 , 0.6	C3A206
VIDEO	J835		nsp	nsp	CONN. CORD	SN95/PB5 , 0.6	C3A206
VIDEO	J836		nsp	nsp	CONN. CORD	SN95/PB5 , 0.6	C3A206
VIDEO	J837		nsp	nsp	CONN. CORD	SN95/PB5 , 0.6	C3A206
VIDEO	JC71		90M-YP100260R	90M-YP100260R	JACK		CJP06TT196ZP
VIDEO	JC72		90M-YP100260R	90M-YP100260R	JACK		CJP06TT196ZP
VIDEO	JC73		90M-YP100260R	90M-YP100260R	JACK		CJP06TT196ZP
VIDEO	JC74		nsp	nsp	JACK		CJP11GA117ZY
VIDEO	JK71		90M-YT002940R	90M-YT002940R	TERMINAL		CJJ4S010Z
VIDEO	JK72		90M-YT002940R	90M-YT002940R	TERMINAL		CJJ4S010Z
VIDEO	JK73		90M-YT002950R	90M-YT002950R	TERMINAL		CJJ4N043Z
VIDEO	JK74		90M-YT003260R	90M-YT003260R	TERMINAL		CJJ9S001Z
VIDEO	JK75		90M-YT003250R	90M-YT003250R	TERMINAL		CJJ9N001Z
VIDEO	JK76		90M-YT003250R	90M-YT003250R	TERMINAL		CJJ9N001Z
VIDEO	L701		nsp	nsp	COIL	33UH	HLQ02C330JT
VIDEO	L702		nsp	nsp	COIL	33UH	HLQ02C330JT
VIDEO	Q701		90M-HT600040R	90M-HT600040R	TRS.		HVTKTA1267YT
VIDEO	Q702		00MBA10001000	00MBA10001000	TRS.	KRA102M	HVTKRA102MT
VIDEO	Q703		00MHT30001000	00MHT30001000	TRS.		HVTKTC3199YT
VIDEO	Q704		00MHT30001000	00MHT30001000	TRS.		HVTKTC3199YT
VIDEO	Q705	/A1B	nsp	00MBA20004000	TRS.	KRC111M	HVTKRC111MT
VIDEO	Q705	/A1S	nsp	00MBA20004000	TRS.	KRC111M	HVTKRC111MT
VIDEO	Q705	/K1G	nsp	00MBA20004000	TRS.	KRC111M	HVTKRC111MT
VIDEO	Q705	/N1B	00MBA20004000	00MBA20004000	TRS.	KRC111M	HVTKRC111MT
VIDEO	Q705	/N1G	00MBA20004000	00MBA20004000	TRS.	KRC111M	HVTKRC111MT
VIDEO	Q705	/N1S	00MBA20004000	00MBA20004000	TRS.	KRC111M	HVTKRC111MT
VIDEO	Q706	/A1B	nsp	00MHT805501B0	TRS.	KTC2874B	HVTKTC2874BT

NOTE : "nsp" PART IS LISTED FOR REFERENCE ONLY, MARANTZ WILL NOT SUPPLY THESE PARTS.

P.C.B. NAME	POS. NO.	VERS. COLOR	PART NO. (FOR EUR)	PART NO. (MJI)	PART NAME	DESCRIPTION
VIDEO	Q706	/A1S	nsp	00MHT805501B0	TRS.	KTC2874B HVTKTC2874BT
VIDEO	Q706	/K1G	nsp	00MHT805501B0	TRS.	KTC2874B HVTKTC2874BT
VIDEO	Q706	/N1B	00MHT805501B0	00MHT805501B0	TRS.	KTC2874B HVTKTC2874BT
VIDEO	Q706	/N1G	00MHT805501B0	00MHT805501B0	TRS.	KTC2874B HVTKTC2874BT
VIDEO	Q706	/N1S	00MHT805501B0	00MHT805501B0	TRS.	KTC2874B HVTKTC2874BT
VIDEO	Q707	/A1B	nsp	00MBA10001000	TRS.	KRA102M HVTKRA102MT
VIDEO	Q707	/A1S	nsp	00MBA10001000	TRS.	KRA102M HVTKRA102MT
VIDEO	Q707	/K1G	nsp	00MBA10001000	TRS.	KRA102M HVTKRA102MT
VIDEO	Q707	/N1B	00MBA10001000	00MBA10001000	TRS.	KRA102M HVTKRA102MT
VIDEO	Q707	/N1G	00MBA10001000	00MBA10001000	TRS.	KRA102M HVTKRA102MT
VIDEO	Q707	/N1S	00MBA10001000	00MBA10001000	TRS.	KRA102M HVTKRA102MT
VIDEO	Q708		00MHT30001000	00MHT30001000	TRS.	HVTKTC3199YT
VIDEO	Q710		00MBA20001000	00MBA20001000	TRS.	KRC102M HVTKRC102MT
VIDEO	Q711		00MHT30001000	00MHT30001000	TRS.	HVTKTC3199YT
VIDEO	Q712		00MHT30001000	00MHT30001000	TRS.	HVTKTC3199YT
VIDEO	Q713		00MBA10001000	00MBA10001000	TRS.	KRA102M HVTKRA102MT
VIDEO	R701		nsp	nsp	RES.	75 OHM 1/5W J CRD20TJ750T
VIDEO	R702		nsp	nsp	CONN. CORD	SN95/PB5 , 0.6 C3A206
VIDEO	R703		nsp	nsp	RES.	75 OHM 1/5W J CRD20TJ750T
VIDEO	R704		nsp	nsp	CONN. CORD	SN95/PB5 , 0.6 C3A206
VIDEO	R705		nsp	nsp	RES.	75 OHM 1/5W J CRD20TJ750T
VIDEO	R706		nsp	nsp	CONN. CORD	SN95/PB5 , 0.6 C3A206
VIDEO	R707		nsp	nsp	RES.	75 OHM 1/5W J CRD20TJ750T
VIDEO	R708		nsp	nsp	RES.	75 OHM 1/5W J CRD20TJ750T
VIDEO	R709		nsp	nsp	CONN. CORD	SN95/PB5 , 0.6 C3A206
VIDEO	R710		nsp	nsp	RES.	75 OHM 1/5W J CRD20TJ750T
VIDEO	R711		nsp	nsp	RES.	75 OHM 1/5W J CRD20TJ750T
VIDEO	R712		nsp	nsp	RES.	75 OHM 1/5W J CRD20TJ750T
VIDEO	R713		nsp	nsp	RES.	75 OHM 1/5W J CRD20TJ750T
VIDEO	R714		nsp	nsp	CONN. CORD	SN95/PB5 , 0.6 C3A206
VIDEO	R715		nsp	nsp	RES.	75 OHM 1/5W J CRD20TJ750T
VIDEO	R716		nsp	nsp	RES.	75 OHM 1/5W J CRD20TJ750T
VIDEO	R717		nsp	nsp	CONN. CORD	SN95/PB5 , 0.6 C3A206
VIDEO	R718		nsp	nsp	RES.	75 OHM 1/5W J CRD20TJ750T
VIDEO	R719		nsp	nsp	RES.	75 OHM 1/5W J CRD20TJ750T
VIDEO	R720		nsp	nsp	CONN. CORD	SN95/PB5 , 0.6 C3A206
VIDEO	R721		nsp	nsp	RES.	75 OHM 1/5W J CRD20TJ750T
VIDEO	R722		nsp	nsp	RES.	75 OHM 1/5W J CRD20TJ750T
VIDEO	R723		nsp	nsp	RES.	75 OHM 1/5W J CRD20TJ750T
VIDEO	R724		nsp	nsp	RES.	75 OHM 1/5W J CRD20TJ750T
VIDEO	R725		nsp	nsp	CONN. CORD	SN95/PB5 , 0.6 C3A206
VIDEO	R726		nsp	nsp	RES.	75 OHM 1/5W J CRD20TJ750T
VIDEO	R727		nsp	nsp	RES.	75 OHM 1/5W J CRD20TJ750T
VIDEO	R728		nsp	nsp	RES.	75 OHM 1/5W J CRD20TJ750T
VIDEO	R729		nsp	nsp	RES.	75 OHM 1/5W J CRD20TJ750T
VIDEO	R730		nsp	nsp	RES.	220 KOHM 1/5W J CRD20TJ224T
VIDEO	R731		nsp	nsp	RES.	10 OHM 1/5W J CRD20TJ100T
VIDEO	R732		nsp	nsp	RES.	220 OHM 1/5W J CRD20TJ221T
VIDEO	R733		nsp	nsp	RES.	10K OHM 1/5W J CRD20TJ103T
VIDEO	R734		nsp	nsp	RES.	1M OHM 1/5W J CRD20TJ105T
VIDEO	R735		nsp	nsp	RES.	1M OHM 1/5W J CRD20TJ105T
VIDEO	R736		nsp	nsp	RES.	100K OHM 1/5W J CRD20TJ104T
VIDEO	R737		nsp	nsp	RES.	1M OHM 1/5W J CRD20TJ105T
VIDEO	R738		nsp	nsp	RES.	10K OHM 1/5W J CRD20TJ103T
VIDEO	R739		nsp	nsp	RES.	12K OHM 1/5W J CRD20TJ123T
VIDEO	R740		nsp	nsp	RES.	470 OHM 1/5W J CRD20TJ471T
VIDEO	R741		nsp	nsp	RES.	75 OHM 1/5W J CRD20TJ750T
VIDEO	R742		nsp	nsp	RES.	75 OHM 1/5W J CRD20TJ750T
VIDEO	R743		nsp	nsp	RES.	75 OHM 1/5W J CRD20TJ750T
VIDEO	R744		nsp	nsp	RES.	220 OHM 1/5W J CRD20TJ221T
VIDEO	R745		nsp	nsp	CONN. CORD	SN95/PB5 , 0.6 C3A206
VIDEO	R746		nsp	nsp	RES.	1M OHM 1/5W J CRD20TJ105T
VIDEO	R747	/F1N	nsp	nsp	CONN. CORD	SN95/PB5 , 0.6 C3A206
VIDEO	R747	/L1G	nsp	nsp	CONN. CORD	SN95/PB5 , 0.6 C3A206
VIDEO	R747	/U1B	nsp	nsp	CONN. CORD	SN95/PB5 , 0.6 C3A206
VIDEO	R750		nsp	nsp	RES.	10K OHM 1/5W J CRD20TJ103T

NOTE : "nsp" PART IS LISTED FOR REFERENCE ONLY, MARANTZ WILL NOT SUPPLY THESE PARTS.

P.C.B. NAME	POS. NO.	VERS. COLOR	PART NO. (FOR EUR)	PART NO. (MJI)	PART NAME	DESCRIPTION
VIDEO	R752		nsp	nsp	RES.	75 OHM 1/5W J CRD20TJ750T
VIDEO	R753		nsp	nsp	RES.	220 OHM 1/5W J CRD20TJ221T
VIDEO	R756		nsp	nsp	CONN. CORD	SN95/PB5 , 0.6 C3A206
VIDEO	R758		nsp	nsp	RES.	4.7K OHM 1/5W J CRD20TJ472T
VIDEO	R759		nsp	nsp	RES.	3.3K OHM 1/5W J CRD20TJ332T
VIDEO	R761		nsp	nsp	RES.	100K OHM 1/5W J CRD20TJ104T
VIDEO	R762		nsp	nsp	RES.	1M OHM 1/5W J CRD20TJ105T
VIDEO	R763		nsp	nsp	RES.	3.3K OHM 1/5W J CRD20TJ332T
VIDEO	R764		nsp	nsp	RES.	1M OHM 1/5W J CRD20TJ105T
VIDEO	R765		nsp	nsp	RES.	1M OHM 1/5W J CRD20TJ105T
VIDEO	R766		nsp	nsp	RES.	1M OHM 1/5W J CRD20TJ105T
VIDEO	R767		nsp	nsp	RES.	1M OHM 1/5W J CRD20TJ105T
VIDEO	R768		nsp	nsp	RES.	4.7K OHM 1/5W J CRD20TJ472T
VIDEO	R769		nsp	nsp	RES.	1K OHM 1/5W J CRD20TJ102T
VIDEO	R770		nsp	nsp	RES.	10K OHM 1/5W J CRD20TJ103T
VIDEO	R771		nsp	nsp	RES.	56 OHM 1/5W J CRD20TJ560T
VIDEO	R772		nsp	nsp	RES.	1K OHM 1/5W J CRD20TJ102T
VIDEO	R773		nsp	nsp	RES.	10K OHM 1/5W J CRD20TJ103T
VIDEO	R774		nsp	nsp	RES.	1K OHM 1/5W J CRD20TJ102T
VIDEO	R775		nsp	nsp	CONN. CORD	SN95/PB5 , 0.6 C3A206
VIDEO	R776		nsp	nsp	RES.	1M OHM 1/5W J CRD20TJ105T
VIDEO	R777		nsp	nsp	RES.	1M OHM 1/5W J CRD20TJ105T
VIDEO	R778		nsp	nsp	RES.	1M OHM 1/5W J CRD20TJ105T
VIDEO	R781		nsp	nsp	RES.	10K OHM 1/5W J CRD20TJ103T
VIDEO	R782		nsp	nsp	RES.	100 OHM 1/5W J CRD20TJ101T
VIDEO	R783		nsp	nsp	RES.	10K OHM 1/5W J CRD20TJ103T
VIDEO	R786		nsp	nsp	RES.	1M OHM 1/5W J CRD20TJ105T
VIDEO	R787		nsp	nsp	RES.	1M OHM 1/5W J CRD20TJ105T
VIDEO	R788		nsp	nsp	RES.	1M OHM 1/5W J CRD20TJ105T
VIDEO	R789		nsp	nsp	RES.	75 OHM 1/5W J CRD20TJ750T
VIDEO	R790		nsp	nsp	RES.	75 OHM 1/5W J CRD20TJ750T
VIDEO	R791		nsp	nsp	RES.	100 OHM 1/5W J CRD20TJ101T
VIDEO	R792		nsp	nsp	RES.	10K OHM 1/5W J CRD20TJ103T
VIDEO	R793		nsp	nsp	RES.	75 OHM 1/5W J CRD20TJ750T
VIDEO	R794		nsp	nsp	RES.	75 OHM 1/5W J CRD20TJ750T
VIDEO	R795		nsp	nsp	RES.	3.3K OHM 1/5W J CRD20TJ332T
VIDEO	R799	/A1B	nsp	nsp	RES.	10K OHM 1/5W J CRD20TJ103T
VIDEO	R799	/A1S	nsp	nsp	RES.	10K OHM 1/5W J CRD20TJ103T
VIDEO	R799	/K1G	nsp	nsp	RES.	10K OHM 1/5W J CRD20TJ103T
VIDEO	R799	/N1B	nsp	nsp	RES.	10K OHM 1/5W J CRD20TJ103T
VIDEO	R799	/N1G	nsp	nsp	RES.	10K OHM 1/5W J CRD20TJ103T
VIDEO	R799	/N1S	nsp	nsp	RES.	10K OHM 1/5W J CRD20TJ103T
VIDEO	RJ10		nsp	nsp	CONN. CORD	SN95/PB5 , 0.6 C3A206
VIDEO	RJ21		nsp	nsp	RES.	10K OHM 1/5W J CRD20TJ103T
VIDEO	X701		90M-JX001080R	90M-JX001080R	X'TAL	HOX14318D220F
VIDEO	X702	/A1B	nsp	90M-JX001090R	X'TAL	HOX17744D220F
VIDEO	X702	/A1S	nsp	90M-JX001090R	X'TAL	HOX17744D220F
VIDEO	X702	/K1G	nsp	90M-JX001090R	X'TAL	HOX17744D220F
VIDEO	X702	/N1B	90M-JX001090R	90M-JX001090R	X'TAL	HOX17744D220F
VIDEO	X702	/N1G	90M-JX001090R	90M-JX001090R	X'TAL	HOX17744D220F
VIDEO	X702	/N1S	90M-JX001090R	90M-JX001090R	X'TAL	HOX17744D220F
<b>VOLUME PCB (CUP11759-1)</b>						
VOLUME	BK21		nsp	nsp	TERMINAL	CNE75
VOLUME	BK22		nsp	nsp	TERMINAL	CNE75
VOLUME	C251		nsp	00MOA10601620	ELECT CAP.	10UF 16V HCEA1CH100T
VOLUME	C292		nsp	00MOA10605020	ELECT CAP.	10UF 50V HCEA1HH100T
VOLUME	C293		nsp	00MOA10605020	ELECT CAP.	10UF 50V HCEA1HH100T
VOLUME	C294		nsp	00MOA10605020	ELECT CAP.	10UF 50V HCEA1HH100T
VOLUME	C295		nsp	00MOA10605020	ELECT CAP.	10UF 50V HCEA1HH100T
VOLUME	C296		nsp	00MOA10605020	ELECT CAP.	10UF 50V HCEA1HH100T
VOLUME	C297		nsp	00MOA10605020	ELECT CAP.	10UF 50V HCEA1HH100T
VOLUME	C298		nsp	00MOA10605020	ELECT CAP.	10UF 50V HCEA1HH100T
VOLUME	C299		nsp	00MOA47602520	ELECT CAP.	47UF 25V HCEA1EH470T
VOLUME	C300		nsp	00MOA47602520	ELECT CAP.	47UF 25V HCEA1EH470T
VOLUME	C301		nsp	00MOA47602520	ELECT CAP.	47UF 25V HCEA1EH470T
VOLUME	C302		nsp	00MOA47602520	ELECT CAP.	47UF 25V HCEA1EH470T

NOTE : "nsp" PART IS LISTED FOR REFERENCE ONLY, MARANTZ WILL NOT SUPPLY THESE PARTS.

P.C.B. NAME	POS. NO.	VERS. COLOR	PART NO. (FOR EUR)	PART NO. (MJI)	PART NAME	DESCRIPTION
VOLUME	C303		nsp	nsp	CER. CAP.	50V 0.1UF CCKT1H104ZF
VOLUME	C304		nsp	nsp	CER. CAP.	50V 0.1UF CCKT1H104ZF
VOLUME	C305		nsp	nsp	CER. CAP.	50V 0.1UF CCKT1H104ZF
VOLUME	C306		nsp	nsp	CER. CAP.	50V 0.1UF CCKT1H104ZF
VOLUME	C307		nsp	nsp	CER. CAP.	100PF 50V KB CCKT1H101KB
VOLUME	C308		nsp	nsp	CER. CAP.	100PF 50V KB CCKT1H101KB
VOLUME	C309		nsp	nsp	CER. CAP.	50V 0.1UF CCKT1H104ZF
VOLUME	C310		nsp	nsp	CER. CAP.	50V 0.1UF CCKT1H104ZF
VOLUME	C311		nsp	nsp	CER. CAP.	50V 0.1UF CCKT1H104ZF
VOLUME	C312		nsp	nsp	CER. CAP.	50V 0.1UF CCKT1H104ZF
VOLUME	C313		nsp	nsp	CER. CAP.	50V 0.1UF CCKT1H104ZF
VOLUME	C314		nsp	nsp	CER. CAP.	50V 0.1UF CCKT1H104ZF
VOLUME	C315		nsp	nsp	CER. CAP.	50V 0.1UF CCKT1H104ZF
VOLUME	C316		nsp	nsp	CER. CAP.	50V 0.1UF CCKT1H104ZF
VOLUME	C317		nsp	nsp	CER. CAP.	100PF 50V KB CCKT1H101KB
VOLUME	C318		nsp	nsp	CER. CAP.	100PF 50V KB CCKT1H101KB
VOLUME	C319		nsp	nsp	CER. CAP.	100PF 50V KB CCKT1H101KB
VOLUME	C320		nsp	nsp	CER. CAP.	100PF 50V KB CCKT1H101KB
VOLUME	C321		nsp	nsp	CER. CAP.	100PF 50V KB CCKT1H101KB
VOLUME	C322		nsp	nsp	CER. CAP.	100PF 50V KB CCKT1H101KB
VOLUME	C323		nsp	nsp	CER. CAP.	100PF 50V KB CCKT1H101KB
VOLUME	C324		nsp	nsp	CER. CAP.	470PF 50V KB CCKT1H471KB
VOLUME	C325		nsp	nsp	CER. CAP.	470PF 50V KB CCKT1H471KB
VOLUME	C326		nsp	nsp	CER. CAP.	470PF 50V KB CCKT1H471KB
VOLUME	C327		nsp	nsp	CER. CAP.	470PF 50V KB CCKT1H471KB
VOLUME	C328		nsp	nsp	CER. CAP.	470PF 50V KB CCKT1H471KB
VOLUME	C329		nsp	00MOA10605020	ELECT CAP.	10UF 50V HCEA1HH100T
VOLUME	C330		nsp	00MOA10605020	ELECT CAP.	10UF 50V HCEA1HH100T
VOLUME	C331		nsp	00MOA10605020	ELECT CAP.	10UF 50V HCEA1HH100T
VOLUME	C332		nsp	00MOA10605020	ELECT CAP.	10UF 50V HCEA1HH100T
VOLUME	C333		nsp	00MOA10605020	ELECT CAP.	10UF 50V HCEA1HH100T
VOLUME	C334		nsp	00MOA10605020	ELECT CAP.	10UF 50V HCEA1HH100T
VOLUME	C336		nsp	00MOA22605020	ELECT CAP.	22UF 50V HCEA1HH220T
VOLUME	C337		nsp	00MOA22605020	ELECT CAP.	22UF 50V HCEA1HH220T
VOLUME	C338		nsp	00MOA22605020	ELECT CAP.	22UF 50V HCEA1HH220T
VOLUME	C339		nsp	00MOA22605020	ELECT CAP.	22UF 50V HCEA1HH220T
VOLUME	C340		nsp	00MOA22605020	ELECT CAP.	22UF 50V HCEA1HH220T
VOLUME	C341		nsp	00MOA22605020	ELECT CAP.	22UF 50V HCEA1HH220T
VOLUME	C342		nsp	00MOA22605020	ELECT CAP.	22UF 50V HCEA1HH220T
VOLUME	C343		nsp	00MOA47602520	ELECT CAP.	47UF 25V HCEA1EH470T
VOLUME	C344		nsp	00MOA47602520	ELECT CAP.	47UF 25V HCEA1EH470T
VOLUME	C345		nsp	00MOA47602520	ELECT CAP.	47UF 25V HCEA1EH470T
VOLUME	C346		nsp	00MOA47602520	ELECT CAP.	47UF 25V HCEA1EH470T
VOLUME	C347		nsp	00MOA47602520	ELECT CAP.	47UF 25V HCEA1EH470T
VOLUME	C348		nsp	00MOA47602520	ELECT CAP.	47UF 25V HCEA1EH470T
VOLUME	C349		nsp	00MOA47602520	ELECT CAP.	47UF 25V HCEA1EH470T
VOLUME	C350		nsp	nsp	CER. CAP.	100PF 50V KB CCKT1H101KB
VOLUME	C351		nsp	nsp	CER. CAP.	100PF 50V KB CCKT1H101KB
VOLUME	C374		nsp	nsp	CER. CAP.	470PF 50V KB CCKT1H471KB
VOLUME	C375		nsp	nsp	CER. CAP.	470PF 50V KB CCKT1H471KB
VOLUME	C376		nsp	00MOA10605020	ELECT CAP.	10UF 50V HCEA1HH100T
VOLUME	C395		nsp	00MOA10605020	ELECT CAP.	10UF 50V HCEA1HH100T
VOLUME	C415		nsp	00MOA10605020	ELECT CAP.	10UF 50V HCEA1HH100T
VOLUME	C416		nsp	00MOA10605020	ELECT CAP.	10UF 50V HCEA1HH100T
VOLUME	C417		nsp	00MOA10605020	ELECT CAP.	10UF 50V HCEA1HH100T
VOLUME	C418		nsp	00MOA10605020	ELECT CAP.	10UF 50V HCEA1HH100T
VOLUME	C419		nsp	00MOA22605020	ELECT CAP.	22UF 50V HCEA1HH220T
VOLUME	C420		nsp	00MOA22605020	ELECT CAP.	22UF 50V HCEA1HH220T
VOLUME	C421		nsp	nsp	CER. CAP.	100PF 50V KB CCKT1H101KB
VOLUME	C423		nsp	00MOA47602520	ELECT CAP.	47UF 25V HCEA1EH470T
VOLUME	C424		nsp	00MOA47602520	ELECT CAP.	47UF 25V HCEA1EH470T
VOLUME	C425		nsp	nsp	CER. CAP.	470PF 50V KB CCKT1H471KB
VOLUME	C426		nsp	nsp	CER. CAP.	470PF 50V KB CCKT1H471KB
VOLUME	C427		nsp	00MOA47602520	ELECT CAP.	47UF 25V HCEA1EH470T
VOLUME	C428		nsp	00MOA22605020	ELECT CAP.	22UF 50V HCEA1HH220T
VOLUME	C429		nsp	nsp	CER. CAP.	100PF 50V KB CCKT1H101KB

NOTE : "nsp" PART IS LISTED FOR REFERENCE ONLY, MARANTZ WILL NOT SUPPLY THESE PARTS.

P.C.B. NAME	POS. NO.	VERS. COLOR	PART NO. (FOR EUR)	PART NO. (MJI)	PART NAME	DESCRIPTION	
VOLUME	C430		nsp	00MOA10605020	ELECT CAP.	10UF 50V	HCEA1HH100T
VOLUME	C431		nsp	nsp	CER. CAP.	470PF 50V KB	CCKT1H471KB
VOLUME	C432		nsp	nsp	CER. CAP.	50V 0.1UF	CCKT1H104ZF
VOLUME	C433		nsp	nsp	CER. CAP.	50V 0.1UF	CCKT1H104ZF
VOLUME	C442		nsp	nsp	CER. CAP.	100PF 50V KB	CCKT1H101KB
VOLUME	C452		nsp	00MOA22701620	ELECT CAP.		HCEA1CH221T
VOLUME	C460		nsp	nsp	CER. CAP.	50V 0.1UF	CCKT1H104ZF
VOLUME	C461		nsp	nsp	CER. CAP.	50V 0.1UF	CCKT1H104ZF
VOLUME	C462		nsp	nsp	CER. CAP.	50V 0.1UF	CCKT1H104ZF
VOLUME	C463		nsp	nsp	CER. CAP.	50V 0.1UF	CCKT1H104ZF
VOLUME	C464		nsp	00MOA10701620	ELECT CAP.	100UF 16V	HCEA1CH101T
VOLUME	C465		nsp	00MOA10701620	ELECT CAP.	100UF 16V	HCEA1CH101T
VOLUME	C466		nsp	00MOA10702520	ELECT CAP.	100UF 25V	HCEA1EH101T
VOLUME	C467		nsp	00MOA10702520	ELECT CAP.	100UF 25V	HCEA1EH101T
VOLUME	C481		nsp	nsp	CER. CAP.	0.01UF 50V ZF	CCKT1H103ZF
VOLUME	C485		nsp	nsp	CER. CAP.	0.01UF 50V ZF	CCKT1H103ZF
VOLUME	C486		nsp	nsp	CER. CAP.	0.01UF 50V ZF	CCKT1H103ZF
VOLUME	C487		nsp	nsp	CER. CAP.	0.01UF 50V ZF	CCKT1H103ZF
VOLUME	CN22		nsp	nsp	JACK		CJP15GA19ZY
VOLUME	CN23		nsp	nsp	JACK		CJP08GA19ZY
VOLUME	CN24		nsp	nsp	JACK		CJP06GA19ZY
VOLUME	CN25		nsp	nsp	JACK		CJP15GA117ZY
VOLUME	CN29		nsp	nsp	JACK		CJP06GA19ZY
VOLUME	CN47		nsp	nsp	JACK		CJP06GA19ZY
VOLUME	CN49		nsp	nsp	JACK		CJP23GA117ZY
VOLUME	D203		nsp	00MHD20015210	DIODE	1SS133T-77	HVD1SS133MT
VOLUME	D205		nsp	00MHD20015210	DIODE	1SS133T-77	HVD1SS133MT
VOLUME	D206		nsp	00MHD20015210	DIODE	1SS133T-77	HVD1SS133MT
VOLUME	D207		nsp	00MHD20015210	DIODE	1SS133T-77	HVD1SS133MT
VOLUME	D208		nsp	00MHD20015210	DIODE	1SS133T-77	HVD1SS133MT
VOLUME	D209		nsp	00MHD20015210	DIODE	1SS133T-77	HVD1SS133MT
VOLUME	D216		nsp	00MHD20015210	DIODE	1SS133T-77	HVD1SS133MT
VOLUME	IC11		00MHC10456050	00MHC10456050	IC	TC9482N	HVITC9482N
VOLUME	IC12		00MHC10456050	00MHC10456050	IC	TC9482N	HVITC9482N
VOLUME	IC13		00MHC10053090	00MHC10053090	IC	NJM2068DD	HVINJM2068DD
VOLUME	IC14		00MHC10053090	00MHC10053090	IC	NJM2068DD	HVINJM2068DD
VOLUME	IC15		00MHC10053090	00MHC10053090	IC	NJM2068DD	HVINJM2068DD
VOLUME	IC16		00MHC10053090	00MHC10053090	IC	NJM2068DD	HVINJM2068DD
VOLUME	IC17		00MHC10053090	00MHC10053090	IC	NJM2068DD	HVINJM2068DD
VOLUME	J100		nsp	nsp	CONN. CORD	SN95/PB5 , 0.6	C3A206
VOLUME	J101		nsp	nsp	CONN. CORD	SN95/PB5 , 0.6	C3A206
VOLUME	J102		nsp	nsp	CONN. CORD	SN95/PB5 , 0.6	C3A206
VOLUME	J103		nsp	nsp	CONN. CORD	SN95/PB5 , 0.6	C3A206
VOLUME	J104		nsp	nsp	CONN. CORD	SN95/PB5 , 0.6	C3A206
VOLUME	J105		nsp	nsp	CONN. CORD	SN95/PB5 , 0.6	C3A206
VOLUME	J106		nsp	nsp	CONN. CORD	SN95/PB5 , 0.6	C3A206
VOLUME	J107		nsp	nsp	CONN. CORD	SN95/PB5 , 0.6	C3A206
VOLUME	J108		nsp	nsp	CONN. CORD	SN95/PB5 , 0.6	C3A206
VOLUME	J111		nsp	nsp	CONN. CORD	SN95/PB5 , 0.6	C3A206
VOLUME	J112		nsp	nsp	CONN. CORD	SN95/PB5 , 0.6	C3A206
VOLUME	J114		nsp	nsp	CONN. CORD	SN95/PB5 , 0.6	C3A206
VOLUME	J115		nsp	nsp	CONN. CORD	SN95/PB5 , 0.6	C3A206
VOLUME	J117		nsp	nsp	CONN. CORD	SN95/PB5 , 0.6	C3A206
VOLUME	J118		nsp	nsp	CONN. CORD	SN95/PB5 , 0.6	C3A206
VOLUME	J119		nsp	nsp	CONN. CORD	SN95/PB5 , 0.6	C3A206
VOLUME	J122		nsp	nsp	CONN. CORD	SN95/PB5 , 0.6	C3A206
VOLUME	J125		nsp	nsp	CONN. CORD	SN95/PB5 , 0.6	C3A206
VOLUME	J126		nsp	nsp	CONN. CORD	SN95/PB5 , 0.6	C3A206
VOLUME	J127		nsp	nsp	CONN. CORD	SN95/PB5 , 0.6	C3A206
VOLUME	J130		nsp	nsp	CONN. CORD	SN95/PB5 , 0.6	C3A206
VOLUME	J135		nsp	nsp	CONN. CORD	SN95/PB5 , 0.6	C3A206
VOLUME	J137		nsp	nsp	CONN. CORD	SN95/PB5 , 0.6	C3A206
VOLUME	J138		nsp	nsp	CONN. CORD	SN95/PB5 , 0.6	C3A206
VOLUME	J139		nsp	nsp	CONN. CORD	SN95/PB5 , 0.6	C3A206
VOLUME	J140		nsp	nsp	CONN. CORD	SN95/PB5 , 0.6	C3A206
VOLUME	J141		nsp	nsp	CONN. CORD	SN95/PB5 , 0.6	C3A206

NOTE : "nsp" PART IS LISTED FOR REFERENCE ONLY, MARANTZ WILL NOT SUPPLY THESE PARTS.





P.C.B. NAME	POS. NO.	VERS. COLOR	PART NO. (FOR EUR)	PART NO. (MJI)	PART NAME	DESCRIPTION
VOLUME	J310		nsp	nsp	CONN. CORD	SN95/PB5 , 0.6 C3A206
VOLUME	J311		nsp	nsp	CONN. CORD	SN95/PB5 , 0.6 C3A206
VOLUME	J312		nsp	nsp	CONN. CORD	SN95/PB5 , 0.6 C3A206
VOLUME	J313		nsp	nsp	CONN. CORD	SN95/PB5 , 0.6 C3A206
VOLUME	J314		nsp	nsp	CONN. CORD	SN95/PB5 , 0.6 C3A206
VOLUME	J315		nsp	nsp	CONN. CORD	SN95/PB5 , 0.6 C3A206
VOLUME	J316		nsp	nsp	CONN. CORD	SN95/PB5 , 0.6 C3A206
VOLUME	J317		nsp	nsp	CONN. CORD	SN95/PB5 , 0.6 C3A206
VOLUME	J318		nsp	nsp	CONN. CORD	SN95/PB5 , 0.6 C3A206
VOLUME	J319		nsp	nsp	CONN. CORD	SN95/PB5 , 0.6 C3A206
VOLUME	J320		nsp	nsp	CONN. CORD	SN95/PB5 , 0.6 C3A206
VOLUME	J321		nsp	nsp	CONN. CORD	SN95/PB5 , 0.6 C3A206
VOLUME	J322		nsp	nsp	CONN. CORD	SN95/PB5 , 0.6 C3A206
VOLUME	J323		nsp	nsp	CONN. CORD	SN95/PB5 , 0.6 C3A206
VOLUME	J324		nsp	nsp	CONN. CORD	SN95/PB5 , 0.6 C3A206
VOLUME	J325		nsp	nsp	CONN. CORD	SN95/PB5 , 0.6 C3A206
VOLUME	J326		nsp	nsp	CONN. CORD	SN95/PB5 , 0.6 C3A206
VOLUME	J327		nsp	nsp	CONN. CORD	SN95/PB5 , 0.6 C3A206
VOLUME	J328		nsp	nsp	CONN. CORD	SN95/PB5 , 0.6 C3A206
VOLUME	J329		nsp	nsp	CONN. CORD	SN95/PB5 , 0.6 C3A206
VOLUME	J330		nsp	nsp	CONN. CORD	SN95/PB5 , 0.6 C3A206
VOLUME	J331		nsp	nsp	CONN. CORD	SN95/PB5 , 0.6 C3A206
VOLUME	J332		nsp	nsp	CONN. CORD	SN95/PB5 , 0.6 C3A206
VOLUME	J333		nsp	nsp	CONN. CORD	SN95/PB5 , 0.6 C3A206
VOLUME	J334		nsp	nsp	CONN. CORD	SN95/PB5 , 0.6 C3A206
VOLUME	J335		nsp	nsp	CONN. CORD	SN95/PB5 , 0.6 C3A206
VOLUME	J336		nsp	nsp	CONN. CORD	SN95/PB5 , 0.6 C3A206
VOLUME	J337		nsp	nsp	CONN. CORD	SN95/PB5 , 0.6 C3A206
VOLUME	J338		nsp	nsp	CONN. CORD	SN95/PB5 , 0.6 C3A206
VOLUME	J342		nsp	nsp	CONN. CORD	SN95/PB5 , 0.6 C3A206
VOLUME	Q201		00MHT805501B0	00MHT805501B0	TRS.	KTC2874B HVTKTC2874BT
VOLUME	Q202		00MHT805501B0	00MHT805501B0	TRS.	KTC2874B HVTKTC2874BT
VOLUME	Q203		00MHT805501B0	00MHT805501B0	TRS.	KTC2874B HVTKTC2874BT
VOLUME	Q204		00MHT805501B0	00MHT805501B0	TRS.	KTC2874B HVTKTC2874BT
VOLUME	Q205		00MHT805501B0	00MHT805501B0	TRS.	KTC2874B HVTKTC2874BT
VOLUME	Q206		00MHT805501B0	00MHT805501B0	TRS.	KTC2874B HVTKTC2874BT
VOLUME	Q207		00MHT805501B0	00MHT805501B0	TRS.	KTC2874B HVTKTC2874BT
VOLUME	Q208		00MHT805501B0	00MHT805501B0	TRS.	KTC2874B HVTKTC2874BT
VOLUME	Q209		00MHT805501B0	00MHT805501B0	TRS.	KTC2874B HVTKTC2874BT
VOLUME	Q210		00MHT805501B0	00MHT805501B0	TRS.	KTC2874B HVTKTC2874BT
VOLUME	Q211		00MHT805501B0	00MHT805501B0	TRS.	KTC2874B HVTKTC2874BT
VOLUME	Q212		00MHT805501B0	00MHT805501B0	TRS.	KTC2874B HVTKTC2874BT
VOLUME	Q213		00MHT805501B0	00MHT805501B0	TRS.	KTC2874B HVTKTC2874BT
VOLUME	Q214		00MHT805501B0	00MHT805501B0	TRS.	KTC2874B HVTKTC2874BT
VOLUME	Q215		00MBA10002000	00MBA10002000	TRS.	KRA104M HVTKRA104MT
VOLUME	Q216		00MBA10002000	00MBA10002000	TRS.	KRA104M HVTKRA104MT
VOLUME	Q217		00MBA10002000	00MBA10002000	TRS.	KRA104M HVTKRA104MT
VOLUME	Q218		00MBA10002000	00MBA10002000	TRS.	KRA104M HVTKRA104MT
VOLUME	Q219		00MBA10002000	00MBA10002000	TRS.	KRA104M HVTKRA104MT
VOLUME	Q220		00MBA10002000	00MBA10002000	TRS.	KRA104M HVTKRA104MT
VOLUME	Q221		00MBA20002000	00MBA20002000	TRS.	KRC104M HVTKRC104MT
VOLUME	Q222		00MBA20002000	00MBA20002000	TRS.	KRC104M HVTKRC104MT
VOLUME	Q223		00MBA20002000	00MBA20002000	TRS.	KRC104M HVTKRC104MT
VOLUME	Q224		00MBA20002000	00MBA20002000	TRS.	KRC104M HVTKRC104MT
VOLUME	Q225		00MBA20002000	00MBA20002000	TRS.	KRC104M HVTKRC104MT
VOLUME	Q226		00MBA20002000	00MBA20002000	TRS.	KRC104M HVTKRC104MT
VOLUME	Q233		00MHT805501B0	00MHT805501B0	TRS.	KTC2874B HVTKTC2874BT
VOLUME	Q234		00MHT805501B0	00MHT805501B0	TRS.	KTC2874B HVTKTC2874BT
VOLUME	Q235		00MHT805501B0	00MHT805501B0	TRS.	KTC2874B HVTKTC2874BT
VOLUME	Q237		00MHT805501B0	00MHT805501B0	TRS.	KTC2874B HVTKTC2874BT
VOLUME	Q238		00MHT805501B0	00MHT805501B0	TRS.	KTC2874B HVTKTC2874BT
VOLUME	Q239		00MHT805501B0	00MHT805501B0	TRS.	KTC2874B HVTKTC2874BT
VOLUME	Q240		00MBA10002000	00MBA10002000	TRS.	KRA104M HVTKRA104MT
VOLUME	Q241		00MBA20002000	00MBA20002000	TRS.	KRC104M HVTKRC104MT
VOLUME	Q251		00MBA20001000	00MBA20001000	TRS.	KRC102M HVTKRC102MT
VOLUME	R266		nsp	nsp	RES.	100K OHM 1/5W J CRD20TJ104T

NOTE : "nsp" PART IS LISTED FOR REFERENCE ONLY, MARANTZ WILL NOT SUPPLY THESE PARTS.

P.C.B. NAME	POS. NO.	VERS. COLOR	PART NO. (FOR EUR)	PART NO. (MJI)	PART NAME	DESCRIPTION
VOLUME	R284		nsp	nsp	RES.	100K OHM 1/5W J CRD20TJ104T
VOLUME	R285		nsp	nsp	RES.	100K OHM 1/5W J CRD20TJ104T
VOLUME	R287		nsp	nsp	RES.	100K OHM 1/5W J CRD20TJ104T
VOLUME	R288		nsp	nsp	RES.	100K OHM 1/5W J CRD20TJ104T
VOLUME	R289		nsp	nsp	RES.	100K OHM 1/5W J CRD20TJ104T
VOLUME	R290		nsp	nsp	RES.	100K OHM 1/5W J CRD20TJ104T
VOLUME	R291		nsp	nsp	RES.	100 OHM 1/5W J CRD20TJ101T
VOLUME	R292		nsp	nsp	RES.	100 OHM 1/5W J CRD20TJ101T
VOLUME	R293		nsp	nsp	RES.	47K OHM 1/5W J CRD20TJ473T
VOLUME	R294		nsp	nsp	RES.	47K OHM 1/5W J CRD20TJ473T
VOLUME	R295		nsp	nsp	RES.	47K OHM 1/5W J CRD20TJ473T
VOLUME	R296		nsp	nsp	RES.	47K OHM 1/5W J CRD20TJ473T
VOLUME	R297		nsp	nsp	RES.	47K OHM 1/5W J CRD20TJ473T
VOLUME	R298		nsp	nsp	RES.	47K OHM 1/5W J CRD20TJ473T
VOLUME	R299		nsp	nsp	RES.	47K OHM 1/5W J CRD20TJ473T
VOLUME	R300		nsp	nsp	RES.	1K OHM 1/5W J CRD20TJ102T
VOLUME	R301		nsp	nsp	RES.	1K OHM 1/5W J CRD20TJ102T
VOLUME	R302		nsp	nsp	RES.	1K OHM 1/5W J CRD20TJ102T
VOLUME	R303		nsp	nsp	RES.	1K OHM 1/5W J CRD20TJ102T
VOLUME	R304		nsp	nsp	RES.	1K OHM 1/5W J CRD20TJ102T
VOLUME	R305		nsp	nsp	RES.	1K OHM 1/5W J CRD20TJ102T
VOLUME	R306		nsp	nsp	RES.	1K OHM 1/5W J CRD20TJ102T
VOLUME	R314		nsp	nsp	RES.	12K OHM 1/5W J CRD20TJ123T
VOLUME	R315		nsp	nsp	RES.	12K OHM 1/5W J CRD20TJ123T
VOLUME	R316		nsp	nsp	RES.	8.2K OHM 1/5W J CRD20TJ822T
VOLUME	R317		nsp	nsp	RES.	8.2K OHM 1/5W J CRD20TJ822T
VOLUME	R318		nsp	nsp	RES.	12K OHM 1/5W J CRD20TJ123T
VOLUME	R319		nsp	nsp	RES.	12K OHM 1/5W J CRD20TJ123T
VOLUME	R320		nsp	nsp	RES.	8.2K OHM 1/5W J CRD20TJ822T
VOLUME	R321		nsp	nsp	RES.	47K OHM 1/5W J CRD20TJ473T
VOLUME	R322		nsp	nsp	RES.	47K OHM 1/5W J CRD20TJ473T
VOLUME	R323		nsp	nsp	RES.	47K OHM 1/5W J CRD20TJ473T
VOLUME	R324		nsp	nsp	RES.	47K OHM 1/5W J CRD20TJ473T
VOLUME	R325		nsp	nsp	RES.	47K OHM 1/5W J CRD20TJ473T
VOLUME	R326		nsp	nsp	RES.	47K OHM 1/5W J CRD20TJ473T
VOLUME	R327		nsp	nsp	RES.	47K OHM 1/5W J CRD20TJ473T
VOLUME	R328		nsp	nsp	RES.	220 OHM 1/5W J CRD20TJ221T
VOLUME	R329		nsp	nsp	RES.	220 OHM 1/5W J CRD20TJ221T
VOLUME	R330		nsp	nsp	RES.	220 OHM 1/5W J CRD20TJ221T
VOLUME	R331		nsp	nsp	RES.	220 OHM 1/5W J CRD20TJ221T
VOLUME	R332		nsp	nsp	RES.	220 OHM 1/5W J CRD20TJ221T
VOLUME	R333		nsp	nsp	RES.	220 OHM 1/5W J CRD20TJ221T
VOLUME	R334		nsp	nsp	RES.	220 OHM 1/5W J CRD20TJ221T
VOLUME	R336		nsp	nsp	RES.	1M OHM 1/5W J CRD20TJ105T
VOLUME	R338		nsp	nsp	RES.	1M OHM 1/5W J CRD20TJ105T
VOLUME	R340		nsp	nsp	RES.	1M OHM 1/5W J CRD20TJ105T
VOLUME	R341		nsp	nsp	RES.	1M OHM 1/5W J CRD20TJ105T
VOLUME	R342		nsp	nsp	RES.	10K OHM 1/5W J CRD20TJ103T
VOLUME	R343		nsp	nsp	RES.	10K OHM 1/5W J CRD20TJ103T
VOLUME	R344		nsp	nsp	RES.	10K OHM 1/5W J CRD20TJ103T
VOLUME	R345		nsp	nsp	RES.	10K OHM 1/5W J CRD20TJ103T
VOLUME	R346		nsp	nsp	RES.	10K OHM 1/5W J CRD20TJ103T
VOLUME	R347		nsp	nsp	RES.	10K OHM 1/5W J CRD20TJ103T
VOLUME	R348		nsp	nsp	RES.	10K OHM 1/5W J CRD20TJ103T
VOLUME	R349		nsp	nsp	RES.	10K OHM 1/5W J CRD20TJ103T
VOLUME	R350		nsp	nsp	RES.	10K OHM 1/5W J CRD20TJ103T
VOLUME	R351		nsp	nsp	RES.	10K OHM 1/5W J CRD20TJ103T
VOLUME	R352		nsp	nsp	RES.	10K OHM 1/5W J CRD20TJ103T
VOLUME	R353		nsp	nsp	RES.	10K OHM 1/5W J CRD20TJ103T
VOLUME	R354		nsp	nsp	RES.	10K OHM 1/5W J CRD20TJ103T
VOLUME	R355		nsp	nsp	RES.	10K OHM 1/5W J CRD20TJ103T
VOLUME	R356		nsp	nsp	RES.	220 OHM 1/5W J CRD20TJ221T
VOLUME	R357		nsp	nsp	RES.	220 OHM 1/5W J CRD20TJ221T
VOLUME	R358		nsp	nsp	RES.	220 OHM 1/5W J CRD20TJ221T
VOLUME	R359		nsp	nsp	RES.	220 OHM 1/5W J CRD20TJ221T
VOLUME	R360		nsp	nsp	RES.	220 OHM 1/5W J CRD20TJ221T

NOTE : "nsp" PART IS LISTED FOR REFERENCE ONLY, MARANTZ WILL NOT SUPPLY THESE PARTS.

P.C.B. NAME	POS. NO.	VERS. COLOR	PART NO. (FOR EUR)	PART NO. (MJI)	PART NAME	DESCRIPTION
VOLUME	R361		nsp	nsp	RES.	220 OHM 1/5W J CRD20TJ221T
VOLUME	R362		nsp	nsp	RES.	220 OHM 1/5W J CRD20TJ221T
VOLUME	R363		nsp	nsp	RES.	33 OHM 1/5W J CRD20TJ330T
VOLUME	R364		nsp	nsp	RES.	33 OHM 1/5W J CRD20TJ330T
VOLUME	R365		nsp	nsp	RES.	33 OHM 1/5W J CRD20TJ330T
VOLUME	R366		nsp	nsp	RES.	33 OHM 1/5W J CRD20TJ330T
VOLUME	R367		nsp	nsp	RES.	33 OHM 1/5W J CRD20TJ330T
VOLUME	R368		nsp	nsp	RES.	33 OHM 1/5W J CRD20TJ330T
VOLUME	R369		nsp	nsp	RES.	33 OHM 1/5W J CRD20TJ330T
VOLUME	R370		nsp	nsp	RES.	100 OHM 1/5W J CRD20TJ101T
VOLUME	R371		nsp	nsp	RES.	100 OHM 1/5W J CRD20TJ101T
VOLUME	R407		nsp	nsp	RES.	100K OHM 1/5W J CRD20TJ104T
VOLUME	R408		nsp	nsp	RES.	100K OHM 1/5W J CRD20TJ104T
VOLUME	R409		nsp	nsp	RES.	47K OHM 1/5W J CRD20TJ473T
VOLUME	R410		nsp	nsp	RES.	1K OHM 1/5W J CRD20TJ102T
VOLUME	R411		nsp	nsp	RES.	8.2K OHM 1/5W J CRD20TJ822T
VOLUME	R413		nsp	nsp	RES.	47K OHM 1/5W J CRD20TJ473T
VOLUME	R414		nsp	nsp	RES.	220 OHM 1/5W J CRD20TJ221T
VOLUME	R415		nsp	nsp	RES.	1M OHM 1/5W J CRD20TJ105T
VOLUME	R416		nsp	nsp	RES.	10K OHM 1/5W J CRD20TJ103T
VOLUME	R417		nsp	nsp	RES.	10K OHM 1/5W J CRD20TJ103T
VOLUME	R418		nsp	nsp	RES.	220 OHM 1/5W J CRD20TJ221T
VOLUME	R419		nsp	nsp	RES.	33 OHM 1/5W J CRD20TJ330T
VOLUME	R420		nsp	nsp	RES.	47K OHM 1/5W J CRD20TJ473T
VOLUME	R421		nsp	nsp	RES.	1K OHM 1/5W J CRD20TJ102T
VOLUME	R423		nsp	nsp	RES.	8.2K OHM 1/5W J CRD20TJ822T
VOLUME	R424		nsp	nsp	RES.	220 OHM 1/5W J CRD20TJ221T
VOLUME	R425		nsp	nsp	RES.	47K OHM 1/5W J CRD20TJ473T
VOLUME	R426		nsp	nsp	RES.	47K OHM 1/5W J CRD20TJ473T
VOLUME	R427		nsp	nsp	RES.	220 OHM 1/5W J CRD20TJ221T
VOLUME	R428		nsp	nsp	RES.	8.2K OHM 1/5W J CRD20TJ822T
VOLUME	R429		nsp	nsp	RES.	1K OHM 1/5W J CRD20TJ102T
VOLUME	R431		nsp	nsp	RES.	47K OHM 1/5W J CRD20TJ473T
VOLUME	R432		nsp	nsp	RES.	1M OHM 1/5W J CRD20TJ105T
VOLUME	R433		nsp	nsp	RES.	10K OHM 1/5W J CRD20TJ103T
VOLUME	R434		nsp	nsp	RES.	10K OHM 1/5W J CRD20TJ103T
VOLUME	R435		nsp	nsp	RES.	220 OHM 1/5W J CRD20TJ221T
VOLUME	R436		nsp	nsp	RES.	10K OHM 1/5W J CRD20TJ103T
VOLUME	R437		nsp	nsp	RES.	10K OHM 1/5W J CRD20TJ103T
VOLUME	R438		nsp	nsp	RES.	220 OHM 1/5W J CRD20TJ221T
VOLUME	R439		nsp	nsp	RES.	33 OHM 1/5W J CRD20TJ330T
VOLUME	R440		nsp	nsp	RES.	33 OHM 1/5W J CRD20TJ330T
VOLUME	R441		nsp	nsp	RES.	1.2K OHM 1/5W J CRD20TJ122T
VOLUME	R445		nsp	nsp	RES.	100K OHM 1/5W J CRD20TJ104T
VOLUME	R451		nsp	nsp	RES.	10 OHM 1/5W J CRD20TJ100T
VOLUME	RY92		90M-LY000380R	90M-LY000380R	RELAY	AXICOM HSL4C008ZE

NOTE : "nsp" PART IS LISTED FOR REFERENCE ONLY, MARANTZ WILL NOT SUPPLY THESE PARTS.

P.C.B. NAME	POS. NO.	VERS. COLOR	PART NO. (FOR EUR)	PART NO. (MJI)	PART NAME	DESCRIPTION
					<b>AMP PCB (CUP11760)</b>	
AMP	BN23		nsp	nsp	CORD	CWZSR7500BN23
AMP	BN24		nsp	nsp	CORD	CWZSR7500BN24
AMP	BN25		nsp	nsp	JACK	STRAIGHT, 5PIN CJP05GA19ZY
AMP	BN68		nsp	nsp	CORD	CWZSR7400BN68
AMP	BN83		nsp	nsp	CORD	CWZSR7400BN83
AMP	C401		nsp	90M-OA000140R	ELECT CAP.	ELNA, ROA TYPE HCEA1HROA100T
AMP	C402		nsp	90M-OA000140R	ELECT CAP.	ELNA, ROA TYPE HCEA1HROA100T
AMP	C403		nsp	nsp	CER. CAP.	330PF 50V KB CCKT1H331KB
AMP	C404		nsp	nsp	CER. CAP.	330PF 50V KB CCKT1H331KB
AMP	C405		nsp	nsp	CER. CAP.	10PF 50V DC CCCT1H100DC
AMP	C406		nsp	nsp	CER. CAP.	10PF 50V DC CCCT1H100DC
AMP	C407		90M-OF100350R	90M-OF100350R	FILM CAP	2200PF 50V J HCQ1H222JZT
AMP	C408		90M-OF100350R	90M-OF100350R	FILM CAP	2200PF 50V J HCQ1H222JZT
AMP	C409		nsp	90M-OA000130R	ELECT CAP.	HCEA1HAHS220T
AMP	C410		nsp	90M-OA000130R	ELECT CAP.	HCEA1HAHS220T
AMP	C411		nsp	00MOA10710020	ELECT CAP.	100UF 100V HCEA2AH101E
AMP	C412		nsp	00MOA10710020	ELECT CAP.	100UF 100V HCEA2AH101E
AMP	C413		nsp	00MOA10710020	ELECT CAP.	100UF 100V HCEA2AH101E
AMP	C414		nsp	00MOA10710020	ELECT CAP.	100UF 100V HCEA2AH101E
AMP	C419		nsp	90M-OA000120R	ELECT CAP.	HCEA1HAHS101T
AMP	C420		nsp	90M-OA000120R	ELECT CAP.	HCEA1HAHS101T
AMP	C421		nsp	00MOA10702520	ELECT CAP.	100UF 25V HCEA1EH101T
AMP	C422		nsp	00MOA10702520	ELECT CAP.	100UF 25V HCEA1EH101T
AMP	C501		nsp	90M-OA000140R	ELECT CAP.	ELNA, ROA TYPE HCEA1HROA100T
AMP	C502		nsp	90M-OA000140R	ELECT CAP.	ELNA, ROA TYPE HCEA1HROA100T
AMP	C503		nsp	nsp	CER. CAP.	330PF 50V KB CCKT1H331KB
AMP	C504		nsp	nsp	CER. CAP.	330PF 50V KB CCKT1H331KB
AMP	C505		nsp	nsp	CER. CAP.	10PF 50V DC CCCT1H100DC
AMP	C506		nsp	nsp	CER. CAP.	10PF 50V DC CCCT1H100DC
AMP	C507		90M-OF100350R	90M-OF100350R	FILM CAP	2200PF 50V J HCQ1H222JZT
AMP	C508		90M-OF100350R	90M-OF100350R	FILM CAP	2200PF 50V J HCQ1H222JZT
AMP	C509		nsp	90M-OA000130R	ELECT CAP.	HCEA1HAHS220T
AMP	C510		nsp	90M-OA000130R	ELECT CAP.	HCEA1HAHS220T
AMP	C511		nsp	00MOA10710020	ELECT CAP.	100UF 100V HCEA2AH101E
AMP	C512		nsp	00MOA10710020	ELECT CAP.	100UF 100V HCEA2AH101E
AMP	C513		nsp	00MOA10710020	ELECT CAP.	100UF 100V HCEA2AH101E
AMP	C514		nsp	00MOA10710020	ELECT CAP.	100UF 100V HCEA2AH101E
AMP	C519		nsp	90M-OA000120R	ELECT CAP.	HCEA1HAHS101T
AMP	C520		nsp	90M-OA000120R	ELECT CAP.	HCEA1HAHS101T
AMP	C521		nsp	00MOA10702520	ELECT CAP.	100UF 25V HCEA1EH101T
AMP	C522		nsp	00MOA10702520	ELECT CAP.	100UF 25V HCEA1EH101T
AMP	C601		nsp	90M-OA000140R	ELECT CAP.	ELNA, ROA TYPE HCEA1HROA100T
AMP	C602		nsp	90M-OA000140R	ELECT CAP.	ELNA, ROA TYPE HCEA1HROA100T
AMP	C603		nsp	nsp	CER. CAP.	330PF 50V KB CCKT1H331KB
AMP	C604		nsp	nsp	CER. CAP.	330PF 50V KB CCKT1H331KB
AMP	C605		nsp	nsp	CER. CAP.	10PF 50V DC CCCT1H100DC
AMP	C606		nsp	nsp	CER. CAP.	10PF 50V DC CCCT1H100DC
AMP	C607		90M-OF100350R	90M-OF100350R	FILM CAP	2200PF 50V J HCQ1H222JZT
AMP	C608		90M-OF100350R	90M-OF100350R	FILM CAP	2200PF 50V J HCQ1H222JZT
AMP	C609		nsp	90M-OA000130R	ELECT CAP.	HCEA1HAHS220T
AMP	C610		nsp	90M-OA000130R	ELECT CAP.	HCEA1HAHS220T
AMP	C611		nsp	00MOA10710020	ELECT CAP.	100UF 100V HCEA2AH101E
AMP	C612		nsp	00MOA10710020	ELECT CAP.	100UF 100V HCEA2AH101E
AMP	C613		nsp	00MOA10710020	ELECT CAP.	100UF 100V HCEA2AH101E
AMP	C614		nsp	00MOA10710020	ELECT CAP.	100UF 100V HCEA2AH101E
AMP	C619		nsp	90M-OA000120R	ELECT CAP.	HCEA1HAHS101T
AMP	C620		nsp	90M-OA000120R	ELECT CAP.	HCEA1HAHS101T
AMP	C621		nsp	00MOA10702520	ELECT CAP.	100UF 25V HCEA1EH101T
AMP	C622		nsp	00MOA10702520	ELECT CAP.	100UF 25V HCEA1EH101T
AMP	C701		nsp	90M-OA000140R	ELECT CAP.	ELNA, ROA TYPE HCEA1HROA100T
AMP	C703		nsp	nsp	CER. CAP.	330PF 50V KB CCKT1H331KB
AMP	C706		nsp	nsp	CER. CAP.	10PF 50V DC CCCT1H100DC
AMP	C707		90M-OF100350R	90M-OF100350R	FILM CAP	2200PF 50V J HCQ1H222JZT
AMP	C709		nsp	90M-OA000130R	ELECT CAP.	HCEA1HAHS220T
AMP	C711		nsp	00MOA10710020	ELECT CAP.	100UF 100V HCEA2AH101E

NOTE : "nsp" PART IS LISTED FOR REFERENCE ONLY, MARANTZ WILL NOT SUPPLY THESE PARTS.

P.C.B. NAME	POS. NO.	VERS. COLOR	PART NO. (FOR EUR)	PART NO. (MJI)	PART NAME	DESCRIPTION
AMP	C713		nsp	00MOA10710020	ELECT CAP.	100UF 100V HCEA2AH101E
AMP	C719		nsp	90M-OA000120R	ELECT CAP.	HCEA1HAHS101T
AMP	C721		nsp	00MOA10702520	ELECT CAP.	100UF 25V HCEA1EH101T
AMP	C722		nsp	00MOA10702520	ELECT CAP.	100UF 25V HCEA1EH101T
AMP	C801		nsp	00MOA47505020	ELECT CAP.	4.7UF 50V HCEA1HH4R7T
AMP	C802		nsp	nsp	CER. CAP.	0.01UF 50V ZF CKKT1H103ZF
AMP	C803		nsp	nsp	CER. CAP.	0.01UF 50V ZF CKKT1H103ZF
AMP	C804		nsp	00MOA47605020	ELECT CAP.	47UF 50V HCEA1HH470T
AMP	C805		nsp	00MOA47405020	ELECT CAP.	HCEA1HHR47T
AMP	C807		nsp	nsp	CER. CAP.	0.01UF 50V ZF CKKT1H103ZF
AMP	C808		nsp	nsp	CER. CAP.	0.01UF 50V ZF CKKT1H103ZF
AMP	C809		nsp	nsp	CER. CAP.	4700PF 50V KB CKKT1H472KB
AMP	C810		90M-OF100490R	90M-OF100490R	FILM CAP	0.1UF 250V KCME2E104JP04T
AMP	C811		90M-OF100490R	90M-OF100490R	FILM CAP	0.1UF 250V KCME2E104JP04T
AMP	CN41		nsp	nsp	JACK	STRAIGHT, 2PIN CJP02GA01ZY
AMP	CN42		nsp	nsp	JACK	STRAIGHT, 2PIN CJP02GA01ZY
AMP	CN51		nsp	nsp	JACK	STRAIGHT, 2PIN CJP02GA01ZY
AMP	CN52		nsp	nsp	JACK	STRAIGHT, 2PIN CJP02GA01ZY
AMP	CN61		nsp	nsp	JACK	STRAIGHT, 2PIN CJP02GA01ZY
AMP	CN62		nsp	nsp	JACK	STRAIGHT, 2PIN CJP02GA01ZY
AMP	CN71		nsp	nsp	JACK	STRAIGHT, 2PIN CJP02GA01ZY
AMP	CN73		nsp	nsp	JACK	A3963WV2-6P CJP06GA148ZW
AMP	CN81		nsp	nsp	JACK	CJP02GA19ZY 2PIN CJP02GA19ZY
AMP	CN82		nsp	nsp	JACK	CJP02GA19ZY 2PIN CJP02GA19ZY
AMP	D401		nsp	00MHD20015210	DIODE	1SS133T-77 HVD1SS133MT
AMP	D402		nsp	00MHD20015210	DIODE	1SS133T-77 HVD1SS133MT
AMP	D403		nsp	00MHD20015210	DIODE	1SS133T-77 HVD1SS133MT
AMP	D404		nsp	00MHD20015210	DIODE	1SS133T-77 HVD1SS133MT
AMP	D405		nsp	00MHD20015210	DIODE	1SS133T-77 HVD1SS133MT
AMP	D406		nsp	00MHD20015210	DIODE	1SS133T-77 HVD1SS133MT
AMP	D407		nsp	00MHD20015210	DIODE	1SS133T-77 HVD1SS133MT
AMP	D408		nsp	00MHD20015210	DIODE	1SS133T-77 HVD1SS133MT
AMP	D409		90M-HD302240R	90M-HD302240R	ZENER DIODE	HVDMTZJ3.6BT
AMP	D410		90M-HD302240R	90M-HD302240R	ZENER DIODE	HVDMTZJ3.6BT
AMP	D411		90M-HD302240R	90M-HD302240R	ZENER DIODE	HVDMTZJ3.6BT
AMP	D412		90M-HD302240R	90M-HD302240R	ZENER DIODE	HVDMTZJ3.6BT
AMP	D413		nsp	00MHD20015210	DIODE	1SS133T-77 HVD1SS133MT
AMP	D414		nsp	00MHD20015210	DIODE	1SS133T-77 HVD1SS133MT
AMP	D415		nsp	00MHD20015210	DIODE	1SS133T-77 HVD1SS133MT
AMP	D416		nsp	00MHD20015210	DIODE	1SS133T-77 HVD1SS133MT
AMP	D501		nsp	00MHD20015210	DIODE	1SS133T-77 HVD1SS133MT
AMP	D502		nsp	00MHD20015210	DIODE	1SS133T-77 HVD1SS133MT
AMP	D503		nsp	00MHD20015210	DIODE	1SS133T-77 HVD1SS133MT
AMP	D504		nsp	00MHD20015210	DIODE	1SS133T-77 HVD1SS133MT
AMP	D505		nsp	00MHD20015210	DIODE	1SS133T-77 HVD1SS133MT
AMP	D506		nsp	00MHD20015210	DIODE	1SS133T-77 HVD1SS133MT
AMP	D507		nsp	00MHD20015210	DIODE	1SS133T-77 HVD1SS133MT
AMP	D508		nsp	00MHD20015210	DIODE	1SS133T-77 HVD1SS133MT
AMP	D509		90M-HD302240R	90M-HD302240R	ZENER DIODE	HVDMTZJ3.6BT
AMP	D510		90M-HD302240R	90M-HD302240R	ZENER DIODE	HVDMTZJ3.6BT
AMP	D511		90M-HD302240R	90M-HD302240R	ZENER DIODE	HVDMTZJ3.6BT
AMP	D512		90M-HD302240R	90M-HD302240R	ZENER DIODE	HVDMTZJ3.6BT
AMP	D513		nsp	00MHD20015210	DIODE	1SS133T-77 HVD1SS133MT
AMP	D514		nsp	00MHD20015210	DIODE	1SS133T-77 HVD1SS133MT
AMP	D515		nsp	00MHD20015210	DIODE	1SS133T-77 HVD1SS133MT
AMP	D516		nsp	00MHD20015210	DIODE	1SS133T-77 HVD1SS133MT
AMP	D601		nsp	00MHD20015210	DIODE	1SS133T-77 HVD1SS133MT
AMP	D602		nsp	00MHD20015210	DIODE	1SS133T-77 HVD1SS133MT
AMP	D603		nsp	00MHD20015210	DIODE	1SS133T-77 HVD1SS133MT
AMP	D604		nsp	00MHD20015210	DIODE	1SS133T-77 HVD1SS133MT
AMP	D605		nsp	00MHD20015210	DIODE	1SS133T-77 HVD1SS133MT
AMP	D606		nsp	00MHD20015210	DIODE	1SS133T-77 HVD1SS133MT
AMP	D607		nsp	00MHD20015210	DIODE	1SS133T-77 HVD1SS133MT
AMP	D608		nsp	00MHD20015210	DIODE	1SS133T-77 HVD1SS133MT
AMP	D609		90M-HD302240R	90M-HD302240R	ZENER DIODE	HVDMTZJ3.6BT
AMP	D610		90M-HD302240R	90M-HD302240R	ZENER DIODE	HVDMTZJ3.6BT

NOTE : "nsp" PART IS LISTED FOR REFERENCE ONLY, MARANTZ WILL NOT SUPPLY THESE PARTS.

P.C.B. NAME	POS. NO.	VERS. COLOR	PART NO. (FOR EUR)	PART NO. (MJI)	PART NAME	DESCRIPTION
AMP	D611		90M-HD302240R	90M-HD302240R	ZENER DIODE	HVDMTZJ3.6BT
AMP	D612		90M-HD302240R	90M-HD302240R	ZENER DIODE	HVDMTZJ3.6BT
AMP	D613		nsp	00MHD20015210	DIODE	1SS133T-77 HVD1SS133MT
AMP	D614		nsp	00MHD20015210	DIODE	1SS133T-77 HVD1SS133MT
AMP	D615		nsp	00MHD20015210	DIODE	1SS133T-77 HVD1SS133MT
AMP	D616		nsp	00MHD20015210	DIODE	1SS133T-77 HVD1SS133MT
AMP	D701		nsp	00MHD20015210	DIODE	1SS133T-77 HVD1SS133MT
AMP	D703		nsp	00MHD20015210	DIODE	1SS133T-77 HVD1SS133MT
AMP	D705		nsp	00MHD20015210	DIODE	1SS133T-77 HVD1SS133MT
AMP	D707		nsp	00MHD20015210	DIODE	1SS133T-77 HVD1SS133MT
AMP	D709		90M-HD302240R	90M-HD302240R	ZENER DIODE	HVDMTZJ3.6BT
AMP	D710		90M-HD302240R	90M-HD302240R	ZENER DIODE	HVDMTZJ3.6BT
AMP	D713		nsp	00MHD20015210	DIODE	1SS133T-77 HVD1SS133MT
AMP	D715		nsp	00MHD20015210	DIODE	1SS133T-77 HVD1SS133MT
AMP	D801		90M-HE200250R	90M-HE200250R	DIODE	GBJ1504 HVDGBJ1504
AMP	D802		90M-HD301940R	90M-HD301940R	ZENER DIODE	3.3V 1/2W HVDMTZJ3.3BT
AMP	D803		90M-HD301940R	90M-HD301940R	ZENER DIODE	3.3V 1/2W HVDMTZJ3.3BT
AMP	IC41		00MHC10053090	00MHC10053090	IC	NJM2068DD HVINJM2068DD
AMP	IC51		00MHC10053090	00MHC10053090	IC	NJM2068DD HVINJM2068DD
AMP	IC61		00MHC10053090	00MHC10053090	IC	NJM2068DD HVINJM2068DD
AMP	IC71		00MHC10053090	00MHC10053090	IC	NJM2068DD HVINJM2068DD
AMP	IC81		00MHC10042050	00MHC10042050	IC	PROTECTOR HK HVITA7317P
AMP	J201		nsp	nsp	CONN. CORD	SN95/PB5 , 0.6 C3A206
AMP	J202		nsp	nsp	CONN. CORD	SN95/PB5 , 0.6 C3A206
AMP	J203		nsp	nsp	CONN. CORD	SN95/PB5 , 0.6 C3A206
AMP	J204		nsp	nsp	CONN. CORD	SN95/PB5 , 0.6 C3A206
AMP	J205		nsp	nsp	CONN. CORD	SN95/PB5 , 0.6 C3A206
AMP	J206		nsp	nsp	CONN. CORD	SN95/PB5 , 0.6 C3A206
AMP	J207		nsp	nsp	CONN. CORD	SN95/PB5 , 0.6 C3A206
AMP	J208		nsp	nsp	CONN. CORD	SN95/PB5 , 0.6 C3A206
AMP	J209		nsp	nsp	CONN. CORD	SN95/PB5 , 0.6 C3A206
AMP	J210		nsp	nsp	CONN. CORD	SN95/PB5 , 0.6 C3A206
AMP	J211		nsp	nsp	CONN. CORD	SN95/PB5 , 0.6 C3A206
AMP	J212		nsp	nsp	CONN. CORD	SN95/PB5 , 0.6 C3A206
AMP	J213		nsp	nsp	CONN. CORD	SN95/PB5 , 0.6 C3A206
AMP	J214		nsp	nsp	CONN. CORD	SN95/PB5 , 0.6 C3A206
AMP	J215		nsp	nsp	CONN. CORD	SN95/PB5 , 0.6 C3A206
AMP	J216		nsp	nsp	CONN. CORD	SN95/PB5 , 0.6 C3A206
AMP	J217		nsp	nsp	CONN. CORD	SN95/PB5 , 0.6 C3A206
AMP	J218		nsp	nsp	CONN. CORD	SN95/PB5 , 0.6 C3A206
AMP	J219		nsp	nsp	CONN. CORD	SN95/PB5 , 0.6 C3A206
AMP	J220		nsp	nsp	CONN. CORD	SN95/PB5 , 0.6 C3A206
AMP	J221		nsp	nsp	CONN. CORD	SN95/PB5 , 0.6 C3A206
AMP	J222		nsp	nsp	CONN. CORD	SN95/PB5 , 0.6 C3A206
AMP	J223		nsp	nsp	CONN. CORD	SN95/PB5 , 0.6 C3A206
AMP	J224		nsp	nsp	CONN. CORD	SN95/PB5 , 0.6 C3A206
AMP	J225		nsp	nsp	CONN. CORD	SN95/PB5 , 0.6 C3A206
AMP	J226		nsp	nsp	CONN. CORD	SN95/PB5 , 0.6 C3A206
AMP	J227		nsp	nsp	CONN. CORD	SN95/PB5 , 0.6 C3A206
AMP	J228		nsp	nsp	CONN. CORD	SN95/PB5 , 0.6 C3A206
AMP	J229		nsp	nsp	CONN. CORD	SN95/PB5 , 0.6 C3A206
AMP	J230		nsp	nsp	CONN. CORD	SN95/PB5 , 0.6 C3A206
AMP	J231		nsp	nsp	CONN. CORD	SN95/PB5 , 0.6 C3A206
AMP	J232		nsp	nsp	CONN. CORD	SN95/PB5 , 0.6 C3A206
AMP	J233		nsp	nsp	CONN. CORD	SN95/PB5 , 0.6 C3A206
AMP	J234		nsp	nsp	CONN. CORD	SN95/PB5 , 0.6 C3A206
AMP	J235		nsp	nsp	CONN. CORD	SN95/PB5 , 0.6 C3A206
AMP	J236		nsp	nsp	CONN. CORD	SN95/PB5 , 0.6 C3A206
AMP	J237		nsp	nsp	CONN. CORD	SN95/PB5 , 0.6 C3A206
AMP	J238		nsp	nsp	CONN. CORD	SN95/PB5 , 0.6 C3A206
AMP	J239		nsp	nsp	CONN. CORD	SN95/PB5 , 0.6 C3A206
AMP	J240		nsp	nsp	CONN. CORD	SN95/PB5 , 0.6 C3A206
AMP	J241		nsp	nsp	CONN. CORD	SN95/PB5 , 0.6 C3A206
AMP	J242		nsp	nsp	CONN. CORD	SN95/PB5 , 0.6 C3A206
AMP	J243		nsp	nsp	CONN. CORD	SN95/PB5 , 0.6 C3A206
AMP	J244		nsp	nsp	CONN. CORD	SN95/PB5 , 0.6 C3A206

NOTE : "nsp" PART IS LISTED FOR REFERENCE ONLY, MARANTZ WILL NOT SUPPLY THESE PARTS.

P.C.B. NAME	POS. NO.	VERS. COLOR	PART NO. (FOR EUR)	PART NO. (MJI)	PART NAME	DESCRIPTION
AMP	J245		nsp	nsp	CONN. CORD	SN95/PB5 , 0.6 C3A206
AMP	J246		nsp	nsp	CONN. CORD	SN95/PB5 , 0.6 C3A206
AMP	J247		nsp	nsp	CONN. CORD	SN95/PB5 , 0.6 C3A206
AMP	J248		nsp	nsp	CONN. CORD	SN95/PB5 , 0.6 C3A206
AMP	J249		nsp	nsp	CONN. CORD	SN95/PB5 , 0.6 C3A206
AMP	J250		nsp	nsp	CONN. CORD	SN95/PB5 , 0.6 C3A206
AMP	J251		nsp	nsp	CONN. CORD	SN95/PB5 , 0.6 C3A206
AMP	J252		nsp	nsp	CONN. CORD	SN95/PB5 , 0.6 C3A206
AMP	J253		nsp	nsp	CONN. CORD	SN95/PB5 , 0.6 C3A206
AMP	J254		nsp	nsp	CONN. CORD	SN95/PB5 , 0.6 C3A206
AMP	J255		nsp	nsp	CONN. CORD	SN95/PB5 , 0.6 C3A206
AMP	J256		nsp	nsp	CONN. CORD	SN95/PB5 , 0.6 C3A206
AMP	J257		nsp	nsp	CONN. CORD	SN95/PB5 , 0.6 C3A206
AMP	J258		nsp	nsp	CONN. CORD	SN95/PB5 , 0.6 C3A206
AMP	J259		nsp	nsp	CONN. CORD	SN95/PB5 , 0.6 C3A206
AMP	J260		nsp	nsp	CONN. CORD	SN95/PB5 , 0.6 C3A206
AMP	J261		nsp	nsp	CONN. CORD	SN95/PB5 , 0.6 C3A206
AMP	J262		nsp	nsp	CONN. CORD	SN95/PB5 , 0.6 C3A206
AMP	J263		nsp	nsp	CONN. CORD	SN95/PB5 , 0.6 C3A206
AMP	J264		nsp	nsp	CONN. CORD	SN95/PB5 , 0.6 C3A206
AMP	J265		nsp	nsp	CONN. CORD	SN95/PB5 , 0.6 C3A206
AMP	J266		nsp	nsp	CONN. CORD	SN95/PB5 , 0.6 C3A206
AMP	J267		nsp	nsp	CONN. CORD	SN95/PB5 , 0.6 C3A206
AMP	J268		nsp	nsp	CONN. CORD	SN95/PB5 , 0.6 C3A206
AMP	J269		nsp	nsp	CONN. CORD	SN95/PB5 , 0.6 C3A206
AMP	J270		nsp	nsp	CONN. CORD	SN95/PB5 , 0.6 C3A206
AMP	J271		nsp	nsp	CONN. CORD	SN95/PB5 , 0.6 C3A206
AMP	J272		nsp	nsp	CONN. CORD	SN95/PB5 , 0.6 C3A206
AMP	J273		nsp	nsp	CONN. CORD	SN95/PB5 , 0.6 C3A206
AMP	J274		nsp	nsp	CONN. CORD	SN95/PB5 , 0.6 C3A206
AMP	J275		nsp	nsp	CONN. CORD	SN95/PB5 , 0.6 C3A206
AMP	J276		nsp	nsp	CONN. CORD	SN95/PB5 , 0.6 C3A206
AMP	J277		nsp	nsp	CONN. CORD	SN95/PB5 , 0.6 C3A206
AMP	J278		nsp	nsp	CONN. CORD	SN95/PB5 , 0.6 C3A206
AMP	J279		nsp	nsp	CONN. CORD	SN95/PB5 , 0.6 C3A206
AMP	J280		nsp	nsp	CONN. CORD	SN95/PB5 , 0.6 C3A206
AMP	J281		nsp	nsp	CONN. CORD	SN95/PB5 , 0.6 C3A206
AMP	J283		nsp	nsp	CONN. CORD	SN95/PB5 , 0.6 C3A206
AMP	J285		nsp	nsp	CONN. CORD	SN95/PB5 , 0.6 C3A206
AMP	J286		nsp	nsp	CONN. CORD	SN95/PB5 , 0.6 C3A206
AMP	J287		nsp	nsp	CONN. CORD	SN95/PB5 , 0.6 C3A206
AMP	J294		nsp	nsp	CONN. CORD	SN95/PB5 , 0.6 C3A206
AMP	J295		nsp	nsp	CONN. CORD	SN95/PB5 , 0.6 C3A206
AMP	J297		nsp	nsp	CONN. CORD	SN95/PB5 , 0.6 C3A206
AMP	J302		nsp	nsp	CONN. CORD	SN95/PB5 , 0.6 C3A206
AMP	J305		nsp	nsp	CONN. CORD	SN95/PB5 , 0.6 C3A206
AMP	J308		nsp	nsp	CONN. CORD	SN95/PB5 , 0.6 C3A206
AMP	J309		nsp	nsp	CONN. CORD	SN95/PB5 , 0.6 C3A206
AMP	J310		nsp	nsp	CONN. CORD	SN95/PB5 , 0.6 C3A206
AMP	J311		nsp	nsp	CONN. CORD	SN95/PB5 , 0.6 C3A206
AMP	J312		nsp	nsp	CONN. CORD	SN95/PB5 , 0.6 C3A206
AMP	J313		nsp	nsp	CONN. CORD	SN95/PB5 , 0.6 C3A206
AMP	J315		nsp	nsp	CONN. CORD	SN95/PB5 , 0.6 C3A206
AMP	J316		nsp	nsp	CONN. CORD	SN95/PB5 , 0.6 C3A206
AMP	J317		nsp	nsp	CONN. CORD	SN95/PB5 , 0.6 C3A206
AMP	J318		nsp	nsp	CONN. CORD	SN95/PB5 , 0.6 C3A206
AMP	J319		nsp	nsp	CONN. CORD	SN95/PB5 , 0.6 C3A206
AMP	J320		nsp	nsp	CONN. CORD	SN95/PB5 , 0.6 C3A206
AMP	J321		nsp	nsp	CONN. CORD	SN95/PB5 , 0.6 C3A206
AMP	J323		nsp	nsp	CONN. CORD	SN95/PB5 , 0.6 C3A206
AMP	J324		nsp	nsp	CONN. CORD	SN95/PB5 , 0.6 C3A206
AMP	J325		nsp	nsp	CONN. CORD	SN95/PB5 , 0.6 C3A206
AMP	J326		nsp	nsp	CONN. CORD	SN95/PB5 , 0.6 C3A206
AMP	J327		nsp	nsp	CONN. CORD	SN95/PB5 , 0.6 C3A206
AMP	J328		nsp	nsp	CONN. CORD	SN95/PB5 , 0.6 C3A206
AMP	J329		nsp	nsp	CONN. CORD	SN95/PB5 , 0.6 C3A206

NOTE : "nsp" PART IS LISTED FOR REFERENCE ONLY, MARANTZ WILL NOT SUPPLY THESE PARTS.



P.C.B. NAME	POS. NO.	VERS. COLOR	PART NO. (FOR EUR)	PART NO. (MJI)	PART NAME	DESCRIPTION
AMP	J330		nsp	nsp	CONN. CORD	SN95/PB5 , 0.6 C3A206
AMP	J331		nsp	nsp	CONN. CORD	SN95/PB5 , 0.6 C3A206
AMP	J332		nsp	nsp	CONN. CORD	SN95/PB5 , 0.6 C3A206
AMP	J333		nsp	nsp	CONN. CORD	SN95/PB5 , 0.6 C3A206
AMP	J334		nsp	nsp	CONN. CORD	SN95/PB5 , 0.6 C3A206
AMP	J335		nsp	nsp	CONN. CORD	SN95/PB5 , 0.6 C3A206
AMP	J336		nsp	nsp	CONN. CORD	SN95/PB5 , 0.6 C3A206
AMP	J337		nsp	nsp	CONN. CORD	SN95/PB5 , 0.6 C3A206
AMP	J338		nsp	nsp	CONN. CORD	SN95/PB5 , 0.6 C3A206
AMP	J339		nsp	nsp	CONN. CORD	SN95/PB5 , 0.6 C3A206
AMP	J340		nsp	nsp	CONN. CORD	SN95/PB5 , 0.6 C3A206
AMP	J341		nsp	nsp	CONN. CORD	SN95/PB5 , 0.6 C3A206
AMP	J342		nsp	nsp	CONN. CORD	SN95/PB5 , 0.6 C3A206
AMP	J343		nsp	nsp	CONN. CORD	SN95/PB5 , 0.6 C3A206
AMP	J344		nsp	nsp	CONN. CORD	SN95/PB5 , 0.6 C3A206
AMP	J345		nsp	nsp	CONN. CORD	SN95/PB5 , 0.6 C3A206
AMP	Q403		90M-HT600020R	90M-HT600020R	TRS.	KTA1268GR HVTKTA1268GRT
AMP	Q404		90M-HT600020R	90M-HT600020R	TRS.	KTA1268GR HVTKTA1268GRT
AMP	Q405		90M-HT800060R	90M-HT800060R	TRS.	KTC3200GR HVTKTC3200GRT
AMP	Q406		90M-HT800060R	90M-HT800060R	TRS.	KTC3200GR HVTKTC3200GRT
AMP	Q407		90M-HT600020R	90M-HT600020R	TRS.	KTA1268GR HVTKTA1268GRT
AMP	Q408		90M-HT600020R	90M-HT600020R	TRS.	KTA1268GR HVTKTA1268GRT
AMP	Q409		90M-HT600020R	90M-HT600020R	TRS.	KTA1268GR HVTKTA1268GRT
AMP	Q410		90M-HT600020R	90M-HT600020R	TRS.	KTA1268GR HVTKTA1268GRT
AMP	Q411		90M-HT800060R	90M-HT800060R	TRS.	KTC3200GR HVTKTC3200GRT
AMP	Q412		90M-HT800060R	90M-HT800060R	TRS.	KTC3200GR HVTKTC3200GRT
AMP	Q413		90M-HT800060R	90M-HT800060R	TRS.	KTC3200GR HVTKTC3200GRT
AMP	Q414		90M-HT800060R	90M-HT800060R	TRS.	KTC3200GR HVTKTC3200GRT
AMP	Q415		90M-HT600030R	90M-HT600030R	TRS.	HVTKTA1024YT
AMP	Q416		90M-HT600030R	90M-HT600030R	TRS.	HVTKTA1024YT
AMP	Q417		90M-HT800090R	90M-HT800090R	TRS.	HVTKTC3206YAT
AMP	Q418		90M-HT800090R	90M-HT800090R	TRS.	HVTKTC3206YAT
AMP	▲ Q419		00MHC20002080	00MHC20002080	IC	SAP17NLFNO.552 BVISAP17N
AMP	▲ Q420		00MHC20002080	00MHC20002080	IC	SAP17NLFNO.552 BVISAP17N
AMP	▲ Q421		00MHC20001080	00MHC20001080	IC	SAP17PLFNO.552 BVISAP17P
AMP	▲ Q422		00MHC20001080	00MHC20001080	IC	SAP17PLFNO.552 BVISAP17P
AMP	Q423		90M-HT800060R	90M-HT800060R	TRS.	KTC3200GR HVTKTC3200GRT
AMP	Q424		90M-HT800060R	90M-HT800060R	TRS.	KTC3200GR HVTKTC3200GRT
AMP	Q503		90M-HT600020R	90M-HT600020R	TRS.	KTA1268GR HVTKTA1268GRT
AMP	Q504		90M-HT600020R	90M-HT600020R	TRS.	KTA1268GR HVTKTA1268GRT
AMP	Q505		90M-HT800060R	90M-HT800060R	TRS.	KTC3200GR HVTKTC3200GRT
AMP	Q506		90M-HT800060R	90M-HT800060R	TRS.	KTC3200GR HVTKTC3200GRT
AMP	Q507		90M-HT600020R	90M-HT600020R	TRS.	KTA1268GR HVTKTA1268GRT
AMP	Q508		90M-HT600020R	90M-HT600020R	TRS.	KTA1268GR HVTKTA1268GRT
AMP	Q509		90M-HT600020R	90M-HT600020R	TRS.	KTA1268GR HVTKTA1268GRT
AMP	Q510		90M-HT600020R	90M-HT600020R	TRS.	KTA1268GR HVTKTA1268GRT
AMP	Q511		90M-HT800060R	90M-HT800060R	TRS.	KTC3200GR HVTKTC3200GRT
AMP	Q512		90M-HT800060R	90M-HT800060R	TRS.	KTC3200GR HVTKTC3200GRT
AMP	Q513		90M-HT800060R	90M-HT800060R	TRS.	KTC3200GR HVTKTC3200GRT
AMP	Q514		90M-HT800060R	90M-HT800060R	TRS.	KTC3200GR HVTKTC3200GRT
AMP	Q515		90M-HT600030R	90M-HT600030R	TRS.	HVTKTA1024YT
AMP	Q516		90M-HT600030R	90M-HT600030R	TRS.	HVTKTA1024YT
AMP	Q517		90M-HT800090R	90M-HT800090R	TRS.	HVTKTC3206YAT
AMP	Q518		90M-HT800090R	90M-HT800090R	TRS.	HVTKTC3206YAT
AMP	▲ Q519		00MHC20002080	00MHC20002080	IC	SAP17NLFNO.552 BVISAP17N
AMP	▲ Q520		00MHC20002080	00MHC20002080	IC	SAP17NLFNO.552 BVISAP17N
AMP	▲ Q521		00MHC20001080	00MHC20001080	IC	SAP17PLFNO.552 BVISAP17P
AMP	▲ Q522		00MHC20001080	00MHC20001080	IC	SAP17PLFNO.552 BVISAP17P
AMP	Q523		90M-HT800060R	90M-HT800060R	TRS.	KTC3200GR HVTKTC3200GRT
AMP	Q524		90M-HT800060R	90M-HT800060R	TRS.	KTC3200GR HVTKTC3200GRT
AMP	Q603		90M-HT600020R	90M-HT600020R	TRS.	KTA1268GR HVTKTA1268GRT
AMP	Q604		90M-HT600020R	90M-HT600020R	TRS.	KTA1268GR HVTKTA1268GRT
AMP	Q605		90M-HT800060R	90M-HT800060R	TRS.	KTC3200GR HVTKTC3200GRT
AMP	Q606		90M-HT800060R	90M-HT800060R	TRS.	KTC3200GR HVTKTC3200GRT
AMP	Q607		90M-HT600020R	90M-HT600020R	TRS.	KTA1268GR HVTKTA1268GRT
AMP	Q608		90M-HT600020R	90M-HT600020R	TRS.	KTA1268GR HVTKTA1268GRT

NOTE : "nsp" PART IS LISTED FOR REFERENCE ONLY, MARANTZ WILL NOT SUPPLY THESE PARTS.

P.C.B. NAME	POS. NO.	VERS. COLOR	PART NO. (FOR EUR)	PART NO. (MJI)	PART NAME	DESCRIPTION
AMP	Q609		90M-HT600020R	90M-HT600020R	TRS.	KTA1268GR HVTKTA1268GRT
AMP	Q610		90M-HT600020R	90M-HT600020R	TRS.	KTA1268GR HVTKTA1268GRT
AMP	Q611		90M-HT800060R	90M-HT800060R	TRS.	KTC3200GR HVTKTC3200GRT
AMP	Q612		90M-HT800060R	90M-HT800060R	TRS.	KTC3200GR HVTKTC3200GRT
AMP	Q613		90M-HT800060R	90M-HT800060R	TRS.	KTC3200GR HVTKTC3200GRT
AMP	Q614		90M-HT800060R	90M-HT800060R	TRS.	KTC3200GR HVTKTC3200GRT
AMP	Q615		90M-HT600030R	90M-HT600030R	TRS.	HVTKTA1024YT
AMP	Q616		90M-HT600030R	90M-HT600030R	TRS.	HVTKTA1024YT
AMP	Q617		90M-HT800090R	90M-HT800090R	TRS.	HVTKTC3206YAT
AMP	Q618		90M-HT800090R	90M-HT800090R	TRS.	HVTKTC3206YAT
AMP	▲ Q619		00MHC20002080	00MHC20002080	IC	SAP17NLFNO.552 BVISAP17N
AMP	▲ Q620		00MHC20002080	00MHC20002080	IC	SAP17NLFNO.552 BVISAP17N
AMP	▲ Q621		00MHC20001080	00MHC20001080	IC	SAP17PLFNO.552 BVISAP17P
AMP	▲ Q622		00MHC20001080	00MHC20001080	IC	SAP17PLFNO.552 BVISAP17P
AMP	Q623		90M-HT800060R	90M-HT800060R	TRS.	KTC3200GR HVTKTC3200GRT
AMP	Q624		90M-HT800060R	90M-HT800060R	TRS.	KTC3200GR HVTKTC3200GRT
AMP	Q703		90M-HT600020R	90M-HT600020R	TRS.	KTA1268GR HVTKTA1268GRT
AMP	Q705		90M-HT800060R	90M-HT800060R	TRS.	KTC3200GR HVTKTC3200GRT
AMP	Q707		90M-HT600020R	90M-HT600020R	TRS.	KTA1268GR HVTKTA1268GRT
AMP	Q709		90M-HT600020R	90M-HT600020R	TRS.	KTA1268GR HVTKTA1268GRT
AMP	Q711		90M-HT800060R	90M-HT800060R	TRS.	KTC3200GR HVTKTC3200GRT
AMP	Q713		90M-HT800060R	90M-HT800060R	TRS.	KTC3200GR HVTKTC3200GRT
AMP	Q715		90M-HT600030R	90M-HT600030R	TRS.	HVTKTA1024YT
AMP	Q717		90M-HT800090R	90M-HT800090R	TRS.	HVTKTC3206YAT
AMP	▲ Q719		00MHC20002080	00MHC20002080	IC	SAP17NLFNO.552 BVISAP17N
AMP	▲ Q721		00MHC20001080	00MHC20001080	IC	SAP17PLFNO.552 BVISAP17P
AMP	Q723		90M-HT800060R	90M-HT800060R	TRS.	KTC3200GR HVTKTC3200GRT
AMP	Q801		90M-HT600020R	90M-HT600020R	TRS.	KTA1268GR HVTKTA1268GRT
AMP	Q803		90M-HT800050R	90M-HT800050R	TRS.	HVTKTC3198YT
AMP	Q804		00MBA20001000	00MBA20001000	TRS.	KRC102M HVTKRC102MT
AMP	R401		nsp	nsp	RES.	33K OHM 1/5W J CRD20TJ333T
AMP	R402		nsp	nsp	RES.	33K OHM 1/5W J CRD20TJ333T
AMP	R403		nsp	nsp	RES.	1K OHM 1/5W J CRD20TJ102T
AMP	R404		nsp	nsp	RES.	1K OHM 1/5W J CRD20TJ102T
AMP	R405		nsp	nsp	RES.	100 OHM 1/5W J CRD20TJ101T
AMP	R406		nsp	nsp	RES.	100 OHM 1/5W J CRD20TJ101T
AMP	R407		nsp	nsp	RES.	12K OHM 1/5W J CRD20TJ123T
AMP	R408		nsp	nsp	RES.	12K OHM 1/5W J CRD20TJ123T
AMP	R409		nsp	nsp	RES.	12K OHM 1/5W J CRD20TJ123T
AMP	R410		nsp	nsp	RES.	12K OHM 1/5W J CRD20TJ123T
AMP	R411		nsp	nsp	RES.	470 OHM 1/5W J CRD20TJ471T
AMP	R412		nsp	nsp	RES.	470 OHM 1/5W J CRD20TJ471T
AMP	R413		nsp	nsp	RES.	470 OHM 1/5W J CRD20TJ471T
AMP	R414		nsp	nsp	RES.	470 OHM 1/5W J CRD20TJ471T
AMP	R415		nsp	nsp	RES.	68 OHM 1/5W J CRD20TJ680T
AMP	R416		nsp	nsp	RES.	68 OHM 1/5W J CRD20TJ680T
AMP	R417		nsp	nsp	RES.	68 OHM 1/5W J CRD20TJ680T
AMP	R418		nsp	nsp	RES.	68 OHM 1/5W J CRD20TJ680T
AMP	R419		90M-NB000010R	90M-NB000010R	RES.	LT20001/6S J HRT16C1512000JT
AMP	R420		90M-NB000010R	90M-NB000010R	RES.	LT20001/6S J HRT16C1512000JT
AMP	R421		90M-NB000010R	90M-NB000010R	RES.	LT20001/6S J HRT16C1512000JT
AMP	R422		90M-NB000010R	90M-NB000010R	RES.	LT20001/6S J HRT16C1512000JT
AMP	R423		nsp	nsp	RES.	330K OHM 1/5W CRD20TJ334T
AMP	R424		nsp	nsp	RES.	330K OHM 1/5W CRD20TJ334T
AMP	R425		nsp	nsp	RES.	330K OHM 1/5W CRD20TJ334T
AMP	R426		nsp	nsp	RES.	330K OHM 1/5W CRD20TJ334T
AMP	R427		nsp	nsp	RES.	100 OHM 1/5W J CRD20TJ101T
AMP	R428		nsp	nsp	RES.	100 OHM 1/5W J CRD20TJ101T
AMP	R429		nsp	nsp	RES.	100 OHM 1/5W J CRD20TJ101T
AMP	R430		nsp	nsp	RES.	100 OHM 1/5W J CRD20TJ101T
AMP	R431		nsp	nsp	RES.	10 OHM 1/4W CRD25TJ100T
AMP	R432		nsp	nsp	RES.	10 OHM 1/4W CRD25TJ100T
AMP	R433		nsp	nsp	RES.	10 OHM 1/4W CRD25TJ100T
AMP	R434		nsp	nsp	RES.	10 OHM 1/4W CRD25TJ100T
AMP	R435		nsp	nsp	RES.	27 OHM 1/5W J CRD20TJ270T
AMP	R436		nsp	nsp	RES.	27 OHM 1/5W J CRD20TJ270T

NOTE : "nsp" PART IS LISTED FOR REFERENCE ONLY, MARANTZ WILL NOT SUPPLY THESE PARTS.

P.C.B. NAME	POS. NO.	VERS. COLOR	PART NO. (FOR EUR)	PART NO. (MJI)	PART NAME	DESCRIPTION
AMP	R439		nsp	nsp	RES.	120 OHM 1W J KRG1SANJ121RT
AMP	R440		nsp	nsp	RES.	120 OHM 1W J KRG1SANJ121RT
AMP	R441		nsp	nsp	RES.	120 OHM 1W J KRG1SANJ121RT
AMP	R442		nsp	nsp	RES.	120 OHM 1W J KRG1SANJ121RT
AMP	R443		nsp	nsp	RES.	120 OHM 1W J KRG1SANJ121RT
AMP	R444		nsp	nsp	RES.	120 OHM 1W J KRG1SANJ121RT
AMP	R445		nsp	nsp	RES.	47 OHM 1W J KRG1SANJ470RT
AMP	R446		nsp	nsp	RES.	47 OHM 1W J KRG1SANJ470RT
AMP	R449		nsp	nsp	RES.	15 OHM 1/5W J CRD20TJ150T
AMP	R450		nsp	nsp	RES.	15 OHM 1/5W J CRD20TJ150T
AMP	R451		nsp	nsp	RES.	10 OHM 1/5W J CRD20TJ100T
AMP	R452		nsp	nsp	RES.	10 OHM 1/5W J CRD20TJ100T
AMP	R453		nsp	nsp	RES.	1K OHM 1/5W J CRD20TJ102T
AMP	R454		nsp	nsp	RES.	1K OHM 1/5W J CRD20TJ102T
AMP	R455		nsp	nsp	RES.	1K OHM 1/5W J CRD20TJ102T
AMP	R456		nsp	nsp	RES.	1K OHM 1/5W J CRD20TJ102T
AMP	R457		nsp	nsp	RES.	680 OHM 1/5W J CRD20TJ681T
AMP	R458		nsp	nsp	RES.	680 OHM 1/5W J CRD20TJ681T
AMP	R459		nsp	nsp	RES.	39K OHM 1/5W CRD20TJ393T
AMP	R460		nsp	nsp	RES.	39K OHM 1/5W CRD20TJ393T
AMP	R461		nsp	nsp	RES.	39K OHM 1/5W CRD20TJ393T
AMP	R462		nsp	nsp	RES.	39K OHM 1/5W CRD20TJ393T
AMP	R463		nsp	nsp	RES.	22K OHM 1/5W J CRD20TJ223T
AMP	R464		nsp	nsp	RES.	22K OHM 1/5W J CRD20TJ223T
AMP	R465		nsp	nsp	RES.	680 OHM 1/5W J CRD20TJ681T
AMP	R466		nsp	nsp	RES.	680 OHM 1/5W J CRD20TJ681T
AMP	R467		nsp	nsp	RES.	33K OHM 1/5W J CRD20TJ333T
AMP	R468		nsp	nsp	RES.	33K OHM 1/5W J CRD20TJ333T
AMP	R469		nsp	nsp	RES.	22K OHM 1/5W J CRD20TJ223T
AMP	R470		nsp	nsp	RES.	22K OHM 1/5W J CRD20TJ223T
AMP	R471		nsp	nsp	RES.	120 OHM 1/5W J CRD20TJ121T
AMP	R472		nsp	nsp	RES.	120 OHM 1/5W J CRD20TJ121T
AMP	R473		nsp	nsp	RES.	120 OHM 1/5W J CRD20TJ121T
AMP	R474		nsp	nsp	RES.	120 OHM 1/5W J CRD20TJ121T
AMP	R501		nsp	nsp	RES.	33K OHM 1/5W J CRD20TJ333T
AMP	R502		nsp	nsp	RES.	33K OHM 1/5W J CRD20TJ333T
AMP	R503		nsp	nsp	RES.	1K OHM 1/5W J CRD20TJ102T
AMP	R504		nsp	nsp	RES.	1K OHM 1/5W J CRD20TJ102T
AMP	R505		nsp	nsp	RES.	100 OHM 1/5W J CRD20TJ101T
AMP	R506		nsp	nsp	RES.	100 OHM 1/5W J CRD20TJ101T
AMP	R507		nsp	nsp	RES.	12K OHM 1/5W J CRD20TJ123T
AMP	R508		nsp	nsp	RES.	12K OHM 1/5W J CRD20TJ123T
AMP	R509		nsp	nsp	RES.	12K OHM 1/5W J CRD20TJ123T
AMP	R510		nsp	nsp	RES.	12K OHM 1/5W J CRD20TJ123T
AMP	R511		nsp	nsp	RES.	470 OHM 1/5W J CRD20TJ471T
AMP	R512		nsp	nsp	RES.	470 OHM 1/5W J CRD20TJ471T
AMP	R513		nsp	nsp	RES.	470 OHM 1/5W J CRD20TJ471T
AMP	R514		nsp	nsp	RES.	470 OHM 1/5W J CRD20TJ471T
AMP	R515		nsp	nsp	RES.	68 OHM 1/5W J CRD20TJ680T
AMP	R516		nsp	nsp	RES.	68 OHM 1/5W J CRD20TJ680T
AMP	R517		nsp	nsp	RES.	68 OHM 1/5W J CRD20TJ680T
AMP	R518		nsp	nsp	RES.	68 OHM 1/5W J CRD20TJ680T
AMP	R519		90M-NB000010R	90M-NB000010R	RES.	LT20001/6S J HRT16C1512000JT
AMP	R520		90M-NB000010R	90M-NB000010R	RES.	LT20001/6S J HRT16C1512000JT
AMP	R521		90M-NB000010R	90M-NB000010R	RES.	LT20001/6S J HRT16C1512000JT
AMP	R522		90M-NB000010R	90M-NB000010R	RES.	LT20001/6S J HRT16C1512000JT
AMP	R523		nsp	nsp	RES.	330K OHM 1/5W CRD20TJ334T
AMP	R524		nsp	nsp	RES.	330K OHM 1/5W CRD20TJ334T
AMP	R525		nsp	nsp	RES.	330K OHM 1/5W CRD20TJ334T
AMP	R526		nsp	nsp	RES.	330K OHM 1/5W CRD20TJ334T
AMP	R527		nsp	nsp	RES.	100 OHM 1/5W J CRD20TJ101T
AMP	R528		nsp	nsp	RES.	100 OHM 1/5W J CRD20TJ101T
AMP	R529		nsp	nsp	RES.	100 OHM 1/5W J CRD20TJ101T
AMP	R530		nsp	nsp	RES.	100 OHM 1/5W J CRD20TJ101T
AMP	R531		nsp	nsp	RES.	10 OHM 1/4W CRD25TJ100T
AMP	R532		nsp	nsp	RES.	10 OHM 1/4W CRD25TJ100T

NOTE : "nsp" PART IS LISTED FOR REFERENCE ONLY, MARANTZ WILL NOT SUPPLY THESE PARTS.

P.C.B. NAME	POS. NO.	VERS. COLOR	PART NO. (FOR EUR)	PART NO. (MJI)	PART NAME	DESCRIPTION
AMP	R533		nsp	nsp	RES.	10 OHM 1/4W CRD25TJ100T
AMP	R534		nsp	nsp	RES.	10 OHM 1/4W CRD25TJ100T
AMP	R535		nsp	nsp	RES.	27 OHM 1/5W J CRD20TJ270T
AMP	R536		nsp	nsp	RES.	27 OHM 1/5W J CRD20TJ270T
AMP	R539		nsp	nsp	RES.	120 OHM 1W J KRG1SANJ121RT
AMP	R540		nsp	nsp	RES.	120 OHM 1W J KRG1SANJ121RT
AMP	R541		nsp	nsp	RES.	120 OHM 1W J KRG1SANJ121RT
AMP	R542		nsp	nsp	RES.	120 OHM 1W J KRG1SANJ121RT
AMP	R543		nsp	nsp	RES.	120 OHM 1W J KRG1SANJ121RT
AMP	R544		nsp	nsp	RES.	120 OHM 1W J KRG1SANJ121RT
AMP	R545		nsp	nsp	RES.	47 OHM 1W J KRG1SANJ470RT
AMP	R546		nsp	nsp	RES.	47 OHM 1W J KRG1SANJ470RT
AMP	R549		nsp	nsp	RES.	15 OHM 1/5W J CRD20TJ150T
AMP	R550		nsp	nsp	RES.	15 OHM 1/5W J CRD20TJ150T
AMP	R551		nsp	nsp	RES.	10 OHM 1/5W J CRD20TJ100T
AMP	R552		nsp	nsp	RES.	10 OHM 1/5W J CRD20TJ100T
AMP	R553		nsp	nsp	RES.	1K OHM 1/5W J CRD20TJ102T
AMP	R554		nsp	nsp	RES.	1K OHM 1/5W J CRD20TJ102T
AMP	R555		nsp	nsp	RES.	1K OHM 1/5W J CRD20TJ102T
AMP	R556		nsp	nsp	RES.	1K OHM 1/5W J CRD20TJ102T
AMP	R557		nsp	nsp	RES.	680 OHM 1/5W J CRD20TJ681T
AMP	R558		nsp	nsp	RES.	680 OHM 1/5W J CRD20TJ681T
AMP	R559		nsp	nsp	RES.	39K OHM 1/5W CRD20TJ393T
AMP	R560		nsp	nsp	RES.	39K OHM 1/5W CRD20TJ393T
AMP	R561		nsp	nsp	RES.	39K OHM 1/5W CRD20TJ393T
AMP	R562		nsp	nsp	RES.	39K OHM 1/5W CRD20TJ393T
AMP	R563		nsp	nsp	RES.	22K OHM 1/5W J CRD20TJ223T
AMP	R564		nsp	nsp	RES.	22K OHM 1/5W J CRD20TJ223T
AMP	R565		nsp	nsp	RES.	680 OHM 1/5W J CRD20TJ681T
AMP	R566		nsp	nsp	RES.	680 OHM 1/5W J CRD20TJ681T
AMP	R567		nsp	nsp	RES.	33K OHM 1/5W J CRD20TJ333T
AMP	R568		nsp	nsp	RES.	33K OHM 1/5W J CRD20TJ333T
AMP	R569		nsp	nsp	RES.	22K OHM 1/5W J CRD20TJ223T
AMP	R570		nsp	nsp	RES.	22K OHM 1/5W J CRD20TJ223T
AMP	R571		nsp	nsp	RES.	120 OHM 1/5W J CRD20TJ121T
AMP	R572		nsp	nsp	RES.	120 OHM 1/5W J CRD20TJ121T
AMP	R573		nsp	nsp	RES.	120 OHM 1/5W J CRD20TJ121T
AMP	R574		nsp	nsp	RES.	120 OHM 1/5W J CRD20TJ121T
AMP	R601		nsp	nsp	RES.	33K OHM 1/5W J CRD20TJ333T
AMP	R602		nsp	nsp	RES.	33K OHM 1/5W J CRD20TJ333T
AMP	R603		nsp	nsp	RES.	1K OHM 1/5W J CRD20TJ102T
AMP	R604		nsp	nsp	RES.	1K OHM 1/5W J CRD20TJ102T
AMP	R605		nsp	nsp	RES.	100 OHM 1/5W J CRD20TJ101T
AMP	R606		nsp	nsp	RES.	100 OHM 1/5W J CRD20TJ101T
AMP	R607		nsp	nsp	RES.	12K OHM 1/5W J CRD20TJ123T
AMP	R608		nsp	nsp	RES.	12K OHM 1/5W J CRD20TJ123T
AMP	R609		nsp	nsp	RES.	12K OHM 1/5W J CRD20TJ123T
AMP	R610		nsp	nsp	RES.	12K OHM 1/5W J CRD20TJ123T
AMP	R611		nsp	nsp	RES.	470 OHM 1/5W J CRD20TJ471T
AMP	R612		nsp	nsp	RES.	470 OHM 1/5W J CRD20TJ471T
AMP	R613		nsp	nsp	RES.	470 OHM 1/5W J CRD20TJ471T
AMP	R614		nsp	nsp	RES.	470 OHM 1/5W J CRD20TJ471T
AMP	R615		nsp	nsp	RES.	68 OHM 1/5W J CRD20TJ680T
AMP	R616		nsp	nsp	RES.	68 OHM 1/5W J CRD20TJ680T
AMP	R617		nsp	nsp	RES.	68 OHM 1/5W J CRD20TJ680T
AMP	R618		nsp	nsp	RES.	68 OHM 1/5W J CRD20TJ680T
AMP	R619		90M-NB000010R	90M-NB000010R	RES.	LT20001/6S J HRT16C1512000JT
AMP	R620		90M-NB000010R	90M-NB000010R	RES.	LT20001/6S J HRT16C1512000JT
AMP	R621		90M-NB000010R	90M-NB000010R	RES.	LT20001/6S J HRT16C1512000JT
AMP	R622		90M-NB000010R	90M-NB000010R	RES.	LT20001/6S J HRT16C1512000JT
AMP	R623		nsp	nsp	RES.	330K OHM 1/5W CRD20TJ334T
AMP	R624		nsp	nsp	RES.	330K OHM 1/5W CRD20TJ334T
AMP	R625		nsp	nsp	RES.	330K OHM 1/5W CRD20TJ334T
AMP	R626		nsp	nsp	RES.	330K OHM 1/5W CRD20TJ334T
AMP	R627		nsp	nsp	RES.	100 OHM 1/5W J CRD20TJ101T
AMP	R628		nsp	nsp	RES.	100 OHM 1/5W J CRD20TJ101T

NOTE : "nsp" PART IS LISTED FOR REFERENCE ONLY, MARANTZ WILL NOT SUPPLY THESE PARTS.

P.C.B. NAME	POS. NO.	VERS. COLOR	PART NO. (FOR EUR)	PART NO. (MJI)	PART NAME	DESCRIPTION
AMP	R629		nsp	nsp	RES.	100 OHM 1/5W J CRD20TJ101T
AMP	R630		nsp	nsp	RES.	100 OHM 1/5W J CRD20TJ101T
AMP	R631		nsp	nsp	RES.	10 OHM 1/4W CRD25TJ100T
AMP	R632		nsp	nsp	RES.	10 OHM 1/4W CRD25TJ100T
AMP	R633		nsp	nsp	RES.	10 OHM 1/4W CRD25TJ100T
AMP	R634		nsp	nsp	RES.	10 OHM 1/4W CRD25TJ100T
AMP	R635		nsp	nsp	RES.	27 OHM 1/5W J CRD20TJ270T
AMP	R636		nsp	nsp	RES.	27 OHM 1/5W J CRD20TJ270T
AMP	R639		nsp	nsp	RES.	120 OHM 1W J KRG1SANJ121RT
AMP	R640		nsp	nsp	RES.	120 OHM 1W J KRG1SANJ121RT
AMP	R641		nsp	nsp	RES.	120 OHM 1W J KRG1SANJ121RT
AMP	R642		nsp	nsp	RES.	120 OHM 1W J KRG1SANJ121RT
AMP	R643		nsp	nsp	RES.	120 OHM 1W J KRG1SANJ121RT
AMP	R644		nsp	nsp	RES.	120 OHM 1W J KRG1SANJ121RT
AMP	R645		nsp	nsp	RES.	47 OHM 1W J KRG1SANJ470RT
AMP	R646		nsp	nsp	RES.	47 OHM 1W J KRG1SANJ470RT
AMP	R649		nsp	nsp	RES.	15 OHM 1/5W J CRD20TJ150T
AMP	R650		nsp	nsp	RES.	15 OHM 1/5W J CRD20TJ150T
AMP	R651		nsp	nsp	RES.	10 OHM 1/5W J CRD20TJ100T
AMP	R652		nsp	nsp	RES.	10 OHM 1/5W J CRD20TJ100T
AMP	R653		nsp	nsp	RES.	1K OHM 1/5W J CRD20TJ102T
AMP	R654		nsp	nsp	RES.	1K OHM 1/5W J CRD20TJ102T
AMP	R655		nsp	nsp	RES.	1K OHM 1/5W J CRD20TJ102T
AMP	R656		nsp	nsp	RES.	1K OHM 1/5W J CRD20TJ102T
AMP	R657		nsp	nsp	RES.	680 OHM 1/5W J CRD20TJ681T
AMP	R658		nsp	nsp	RES.	680 OHM 1/5W J CRD20TJ681T
AMP	R659		nsp	nsp	RES.	39K OHM 1/5W CRD20TJ393T
AMP	R660		nsp	nsp	RES.	39K OHM 1/5W CRD20TJ393T
AMP	R661		nsp	nsp	RES.	39K OHM 1/5W CRD20TJ393T
AMP	R662		nsp	nsp	RES.	39K OHM 1/5W CRD20TJ393T
AMP	R663		nsp	nsp	RES.	22K OHM 1/5W J CRD20TJ223T
AMP	R664		nsp	nsp	RES.	22K OHM 1/5W J CRD20TJ223T
AMP	R665		nsp	nsp	RES.	680 OHM 1/5W J CRD20TJ681T
AMP	R666		nsp	nsp	RES.	680 OHM 1/5W J CRD20TJ681T
AMP	R667		nsp	nsp	RES.	33K OHM 1/5W J CRD20TJ333T
AMP	R668		nsp	nsp	RES.	33K OHM 1/5W J CRD20TJ333T
AMP	R669		nsp	nsp	RES.	22K OHM 1/5W J CRD20TJ223T
AMP	R670		nsp	nsp	RES.	22K OHM 1/5W J CRD20TJ223T
AMP	R671		nsp	nsp	RES.	120 OHM 1/5W J CRD20TJ121T
AMP	R672		nsp	nsp	RES.	120 OHM 1/5W J CRD20TJ121T
AMP	R673		nsp	nsp	RES.	120 OHM 1/5W J CRD20TJ121T
AMP	R674		nsp	nsp	RES.	120 OHM 1/5W J CRD20TJ121T
AMP	R701		nsp	nsp	RES.	33K OHM 1/5W J CRD20TJ333T
AMP	R703		nsp	nsp	RES.	1K OHM 1/5W J CRD20TJ102T
AMP	R706		nsp	nsp	RES.	100 OHM 1/5W J CRD20TJ101T
AMP	R707		nsp	nsp	RES.	12K OHM 1/5W J CRD20TJ123T
AMP	R709		nsp	nsp	RES.	12K OHM 1/5W J CRD20TJ123T
AMP	R711		nsp	nsp	RES.	470 OHM 1/5W J CRD20TJ471T
AMP	R713		nsp	nsp	RES.	470 OHM 1/5W J CRD20TJ471T
AMP	R715		nsp	nsp	RES.	68 OHM 1/5W J CRD20TJ680T
AMP	R717		nsp	nsp	RES.	68 OHM 1/5W J CRD20TJ680T
AMP	R719		90M-NB000010R	90M-NB000010R	RES.	LT20001/6S J HRT16C1512000JT
AMP	R721		90M-NB000010R	90M-NB000010R	RES.	LT20001/6S J HRT16C1512000JT
AMP	R723		nsp	nsp	RES.	330K OHM 1/5W CRD20TJ334T
AMP	R725		nsp	nsp	RES.	330K OHM 1/5W CRD20TJ334T
AMP	R727		nsp	nsp	RES.	100 OHM 1/5W J CRD20TJ101T
AMP	R729		nsp	nsp	RES.	100 OHM 1/5W J CRD20TJ101T
AMP	R731		nsp	nsp	RES.	10 OHM 1/4W CRD25TJ100T
AMP	R733		nsp	nsp	RES.	10 OHM 1/4W CRD25TJ100T
AMP	R735		nsp	nsp	RES.	27 OHM 1/5W J CRD20TJ270T
AMP	R739		nsp	nsp	RES.	120 OHM 1W J KRG1SANJ121RT
AMP	R741		nsp	nsp	RES.	120 OHM 1W J KRG1SANJ121RT
AMP	R743		nsp	nsp	RES.	120 OHM 1W J KRG1SANJ121RT
AMP	R745		nsp	nsp	RES.	47 OHM 1W J KRG1SANJ470RT
AMP	R749		nsp	nsp	RES.	15 OHM 1/5W J CRD20TJ150T
AMP	R751		nsp	nsp	RES.	10 OHM 1/5W J CRD20TJ100T

NOTE : "nsp" PART IS LISTED FOR REFERENCE ONLY, MARANTZ WILL NOT SUPPLY THESE PARTS.

P.C.B. NAME	POS. NO.	VERS. COLOR	PART NO. (FOR EUR)	PART NO. (MJI)	PART NAME	DESCRIPTION
AMP	R752		nsp	nsp	RES.	10 OHM 1/5W J CRD20TJ100T
AMP	R753		nsp	nsp	RES.	1K OHM 1/5W J CRD20TJ102T
AMP	R755		nsp	nsp	RES.	1K OHM 1/5W J CRD20TJ102T
AMP	R757		nsp	nsp	RES.	680 OHM 1/5W J CRD20TJ681T
AMP	R759		nsp	nsp	RES.	39K OHM 1/5W CRD20TJ393T
AMP	R761		nsp	nsp	RES.	39K OHM 1/5W CRD20TJ393T
AMP	R763		nsp	nsp	RES.	22K OHM 1/5W J CRD20TJ223T
AMP	R767		nsp	nsp	RES.	33K OHM 1/5W J CRD20TJ333T
AMP	R770		nsp	nsp	RES.	22K OHM 1/5W J CRD20TJ223T
AMP	R771		nsp	nsp	RES.	120 OHM 1/5W J CRD20TJ121T
AMP	R773		nsp	nsp	RES.	120 OHM 1/5W J CRD20TJ121T
AMP	R785		nsp	nsp	RES.	680 OHM 1/5W J CRD20TJ681T
AMP	R801		nsp	nsp	RES.	68K OHM 1/5W J CRD20TJ683T
AMP	R802		nsp	nsp	RES.	68K OHM 1/5W J CRD20TJ683T
AMP	R803		nsp	nsp	RES.	68K OHM 1/5W J CRD20TJ683T
AMP	R804		nsp	nsp	RES.	68K OHM 1/5W J CRD20TJ683T
AMP	R805		nsp	nsp	RES.	68K OHM 1/5W J CRD20TJ683T
AMP	R806		nsp	nsp	RES.	68K OHM 1/5W J CRD20TJ683T
AMP	R807		nsp	nsp	RES.	68K OHM 1/5W J CRD20TJ683T
AMP	R808		nsp	nsp	RES.	100K OHM 1/5W J CRD20TJ104T
AMP	R809		nsp	nsp	RES.	22K OHM 1/5W J CRD20TJ223T
AMP	R810		nsp	nsp	RES.	100K OHM 1/5W J CRD20TJ104T
AMP	R811		nsp	nsp	RES.	3.3K OHM 1/5W J CRD20TJ332T
AMP	R812		nsp	nsp	RES.	1K OHM 1/5W J CRD20TJ102T
AMP	R813		nsp	nsp	RES.	33K OHM 1/5W J CRD20TJ333T
AMP	R814		nsp	nsp	RES.	1K OHM 1/5W J CRD20TJ102T
AMP	R815		nsp	nsp	RES.	3.3K OHM 1/5W J CRD20TJ332T
AMP	R816		nsp	nsp	RES.	6.8K OHM 1/5W J CRD20TJ682T
AMP	R817		nsp	nsp	RES.	22K OHM 1/5W J CRD20TJ223T
AMP	R818		nsp	nsp	RES.	15K OHM 1/5W J CRD20TJ153T
AMP	R819		nsp	nsp	RES.	33K OHM 1/5W J CRD20TJ333T
AMP	R820		nsp	nsp	RES.	10K OHM 1/5W J CRD20TJ103T
AMP	R821		nsp	nsp	RES.	4.7K OHM 1/5W J CRD20TJ472T
AMP	R822		nsp	nsp	RES.	10K OHM 1/5W J CRD20TJ103T
AMP	R823		nsp	nsp	RES.	10K OHM 1/5W J CRD20TJ103T
AMP	TH81		90M-HP000080R	90M-HP000080R	VARIATOR	SR5400/SR6400 BRTPTFM04BD222Q
AMP	VR41		90M-RA001090R	90M-RA001090R	TRIM. RES.	220 OHM HVN1RE221B01T
AMP	VR42		90M-RA001090R	90M-RA001090R	TRIM. RES.	220 OHM HVN1RE221B01T
AMP	VR51		90M-RA001090R	90M-RA001090R	TRIM. RES.	220 OHM HVN1RE221B01T
AMP	VR52		90M-RA001090R	90M-RA001090R	TRIM. RES.	220 OHM HVN1RE221B01T
AMP	VR61		90M-RA001090R	90M-RA001090R	TRIM. RES.	220 OHM HVN1RE221B01T
AMP	VR62		90M-RA001090R	90M-RA001090R	TRIM. RES.	220 OHM HVN1RE221B01T
AMP	VR71		90M-RA001090R	90M-RA001090R	TRIM. RES.	220 OHM HVN1RE221B01T
					<b>AUX 1 PCB (CUP11759-3)</b>	
AUX1	BN12		nsp	nsp	CORD	CWB1B905340EN
AUX1	BN85		nsp	nsp	CORD	CWB1B002300EN
AUX1	C814		nsp	nsp	CER. CAP.	100PF 50V K HCBS1H101KBT
AUX1	C815		nsp	nsp	CER. CAP.	100PF 50V K HCBS1H101KBT
AUX1	C829		nsp	00MOA10605020	ELECT CAP.	10UF 50V HCEA1HH100T
AUX1	C830		nsp	00MOA10605020	ELECT CAP.	10UF 50V HCEA1HH100T
AUX1	C831		nsp	00MOA10601620	ELECT CAP.	10UF 16V HCEA1CH100T
AUX1	C832		nsp	00MOA10601620	ELECT CAP.	10UF 16V HCEA1CH100T
AUX1	C833		nsp	nsp	CER. CAP.	0.1UF 50V Z HCBS1H104ZFT
AUX1	C834		nsp	nsp	CER. CAP.	47PF 50V J HCBS1H470JT
AUX1	C835		nsp	nsp	CER. CAP.	47PF 50V J HCBS1H470JT
AUX1	C836		nsp	nsp	CER. CAP.	0.1UF 50V Z HCBS1H104ZFT
AUX1	C837		nsp	nsp	CER. CAP.	1000PF 50V B HCBS1H102KBT
AUX1	C838		nsp	nsp	CER. CAP.	1000PF 50V B HCBS1H102KBT
AUX1	C840		nsp	nsp	CER. CAP.	0.1UF 50V Z HCBS1H104ZFT
AUX1	C846		nsp	nsp	CER. CAP.	0.01UF 50V Z HCBS1H103ZFT
AUX1	C847		nsp	00MOA47601640	ELECT CAP.	47UF 16V HCEA1CH470T
AUX1	C848		nsp	nsp	CER. CAP.	0.1UF 50V Z HCBS1H104ZFT
AUX1	C890		nsp	nsp	CER. CAP.	0.01UF 50V Z HCBS1H103ZFT
AUX1	CN11		nsp	nsp	JACK	ANGLE, 7PIN CJP07GB46ZY
AUX1	CN52		nsp	nsp	JACK	STRAIGHT, 7PIN CJP07GA19ZY
AUX1	D820		90M-HD301940R	90M-HD301940R	ZENER DIODE	3.3V 1/2W HVDMTZJ3.3BT

NOTE : "nsp" PART IS LISTED FOR REFERENCE ONLY, MARANTZ WILL NOT SUPPLY THESE PARTS.

P.C.B. NAME	POS. NO.	VERS. COLOR	PART NO. (FOR EUR)	PART NO. (MJI)	PART NAME	DESCRIPTION
AUX1	EN81		90M-SR000240R	90M-SR000240R	ROTARY SW	EC16B243040HB HSR2A004Z
AUX1	IC83		00MHC10053090	00MHC10053090	IC	NJM2068DD HVINJM2068DD
AUX1	IC84		90M-HC108910R	90M-HC108910R	IC	74VHC08 HVI74VHC08TTR
AUX1	J871		nsp	nsp	CONN. CORD	SN95/PB5 , 0.6 C3A206
AUX1	J872		nsp	nsp	CONN. CORD	SN95/PB5 , 0.6 C3A206
AUX1	J875		nsp	nsp	CONN. CORD	SN95/PB5 , 0.6 C3A206
AUX1	J894		nsp	nsp	CONN. CORD	SN95/PB5 , 0.6 C3A206
AUX1	J895		nsp	nsp	CONN. CORD	SN95/PB5 , 0.6 C3A206
AUX1	J896		nsp	nsp	CONN. CORD	SN95/PB5 , 0.6 C3A206
AUX1	JK83		90M-YT003240R	90M-YT003240R	TERMINAL	CJJ9M004Z
AUX1	JK84		90M-YT004310R	90M-YT004310R	TERMINAL	BLACK GOLDPLATE CJJ4S041Z
AUX1	JK87		90M-YJ002680R	90M-YJ002680R	OPT. CONN.	TORX179L HJSTORX179L
AUX1	R806		nsp	nsp	RES.	10K OHM 1/5W J CRD20TJ103T
AUX1	R807		nsp	nsp	RES.	10K OHM 1/5W J CRD20TJ103T
AUX1	R808		nsp	nsp	RES.	10K OHM 1/5W J CRD20TJ103T
AUX1	R809		nsp	nsp	RES.	10K OHM 1/5W J CRD20TJ103T
AUX1	R834		nsp	nsp	RES.	47K OHM 1/5W J CRD20TJ473T
AUX1	R835		nsp	nsp	RES.	47K OHM 1/5W J CRD20TJ473T
AUX1	R836		nsp	nsp	RES.	47K OHM 1/5W J CRD20TJ473T
AUX1	R837		nsp	nsp	RES.	47K OHM 1/5W J CRD20TJ473T
AUX1	R838		nsp	nsp	RES.	100 OHM 1/5W J CRD20TJ101T
AUX1	R839		nsp	nsp	RES.	100 OHM 1/5W J CRD20TJ101T
AUX1	R841		nsp	nsp	RES.	75 OHM 1/5W J CRD20TJ750T
AUX1	R843		nsp	nsp	RES.	75 OHM 1/5W J CRD20TJ750T
AUX1	R844		nsp	nsp	RES.	75 OHM 1/5W J CRD20TJ750T
AUX1	R851		nsp	nsp	RES.	10 OHM 1/5W J CRD20TJ100T
AUX1	R859		nsp	nsp	RES.	330 OHM 1/5W J CRD20TJ331T
<b>COMPONENT PCB (CUP11764)</b>						
COMP.	BK11		nsp	nsp	BRACKET	CMD1A387
COMP.	BK12		nsp	nsp	BRACKET	CMD1A387
COMP.	BN41		nsp	nsp	CORD	CWB1B006150EN
COMP.	BN98		nsp	nsp	CORD	CWB1B906150EN
COMP.	C901		nsp	00MOA47602520	ELECT CAP.	47UF 25V HCEA1EH470T
COMP.	C902		nsp	00MOA47602520	ELECT CAP.	47UF 25V HCEA1EH470T
COMP.	C903		nsp	00MOA47602520	ELECT CAP.	47UF 25V HCEA1EH470T
COMP.	C904		nsp	00MOA47602520	ELECT CAP.	47UF 25V HCEA1EH470T
COMP.	C905		nsp	00MOA47602520	ELECT CAP.	47UF 25V HCEA1EH470T
COMP.	C906		nsp	00MOA47602520	ELECT CAP.	47UF 25V HCEA1EH470T
COMP.	C907		nsp	nsp	CER. CAP.	0.01UF 50V Z HCBS1H103ZFT
COMP.	C908		nsp	00MOA47602520	ELECT CAP.	47UF 25V HCEA1EH470T
COMP.	C909		nsp	00MOA47602520	ELECT CAP.	47UF 25V HCEA1EH470T
COMP.	C910		nsp	nsp	CER. CAP.	0.01UF 50V Z HCBS1H103ZFT
COMP.	C911		nsp	00MOA47602520	ELECT CAP.	47UF 25V HCEA1EH470T
COMP.	C912		nsp	nsp	CER. CAP.	0.01UF 50V Z HCBS1H103ZFT
COMP.	C913		nsp	00MOA47602520	ELECT CAP.	47UF 25V HCEA1EH470T
COMP.	C914		nsp	nsp	CER. CAP.	0.01UF 50V Z HCBS1H103ZFT
COMP.	C915		nsp	00MOA47602520	ELECT CAP.	47UF 25V HCEA1EH470T
COMP.	C916		nsp	00MOA47602520	ELECT CAP.	47UF 25V HCEA1EH470T
COMP.	C917		nsp	00MOA47602520	ELECT CAP.	47UF 25V HCEA1EH470T
COMP.	C918		nsp	nsp	CER. CAP.	0.01UF 50V Z HCBS1H103ZFT
COMP.	C919		nsp	00MOA47602520	ELECT CAP.	47UF 25V HCEA1EH470T
COMP.	C920		nsp	00MOA47602520	ELECT CAP.	47UF 25V HCEA1EH470T
COMP.	C921		nsp	nsp	CER. CAP.	0.01UF 50V Z HCBS1H103ZFT
COMP.	C922		nsp	00MOA47602520	ELECT CAP.	47UF 25V HCEA1EH470T
COMP.	C923		nsp	nsp	CER. CAP.	0.01UF 50V Z HCBS1H103ZFT
COMP.	C924		nsp	00MOA47602520	ELECT CAP.	47UF 25V HCEA1EH470T
COMP.	C925		nsp	nsp	CER. CAP.	0.01UF 50V Z HCBS1H103ZFT
COMP.	C926		nsp	00MOA47602520	ELECT CAP.	47UF 25V HCEA1EH470T
COMP.	C927		nsp	00MOA47602520	ELECT CAP.	47UF 25V HCEA1EH470T
COMP.	C928		nsp	00MOA47602520	ELECT CAP.	47UF 25V HCEA1EH470T
COMP.	C929		nsp	nsp	CER. CAP.	0.01UF 50V Z HCBS1H103ZFT
COMP.	C930		nsp	00MOA47602520	ELECT CAP.	47UF 25V HCEA1EH470T
COMP.	C931		nsp	00MOA47602520	ELECT CAP.	47UF 25V HCEA1EH470T
COMP.	C932		nsp	nsp	CER. CAP.	0.01UF 50V Z HCBS1H103ZFT
COMP.	C933		nsp	00MOA47602520	ELECT CAP.	47UF 25V HCEA1EH470T
COMP.	C934		nsp	nsp	CER. CAP.	0.01UF 50V Z HCBS1H103ZFT

NOTE : "nsp" PART IS LISTED FOR REFERENCE ONLY, MARANTZ WILL NOT SUPPLY THESE PARTS.

P.C.B. NAME	POS. NO.	VERS. COLOR	PART NO. (FOR EUR)	PART NO. (MJI)	PART NAME	DESCRIPTION	
COMP.	C935		nsp	00MOA47602520	ELECT CAP.	47UF 25V	HCEA1EH470T
COMP.	C936		nsp	nsp	CER. CAP.	0.01UF 50V Z	HCBS1H103ZFT
COMP.	C937		nsp	00MOA47701020	ELECT CAP.	470UF 10V	HCEA1AH471T
COMP.	C938		nsp	nsp	CER. CAP.	0.01UF 50V Z	HCBS1H103ZFT
COMP.	C939		nsp	00MOA47701020	ELECT CAP.	470UF 10V	HCEA1AH471T
COMP.	C940		nsp	nsp	CER. CAP.	0.01UF 50V Z	HCBS1H103ZFT
COMP.	C941		nsp	00MOA47701020	ELECT CAP.	470UF 10V	HCEA1AH471T
COMP.	C942		nsp	nsp	CER. CAP.	0.01UF 50V Z	HCBS1H103ZFT
COMP.	C943		nsp	nsp	CER. CAP.	0.01UF 50V Z	HCBS1H103ZFT
COMP.	C945		nsp	nsp	CER. CAP.	0.01UF 50V Z	HCBS1H103ZFT
COMP.	C946		nsp	nsp	CER. CAP.	0.01UF 50V Z	HCBS1H103ZFT
COMP.	C947		nsp	00MOA10701620	ELECT CAP.	100UF 16V	HCEA1CH101T
COMP.	C948		nsp	nsp	CER. CAP.	0.01UF 50V Z	HCBS1H103ZFT
COMP.	C949		nsp	00MOA10701620	ELECT CAP.	100UF 16V	HCEA1CH101T
COMP.	C950		nsp	nsp	CER. CAP.	0.01UF 50V Z	HCBS1H103ZFT
COMP.	C951		nsp	00MOA10605020	ELECT CAP.	10UF 50V	HCEA1HH100T
COMP.	C952		nsp	00MOA10605020	ELECT CAP.	10UF 50V	HCEA1HH100T
COMP.	C953		nsp	00MOA10605020	ELECT CAP.	10UF 50V	HCEA1HH100T
COMP.	C954		nsp	nsp	CER. CAP.	0.01UF 50V Z	HCBS1H103ZFT
COMP.	C955		nsp	00MOA47602520	ELECT CAP.	47UF 25V	HCEA1EH470T
COMP.	C956		nsp	00MOA47602520	ELECT CAP.	47UF 25V	HCEA1EH470T
COMP.	C957		nsp	00MOA47602520	ELECT CAP.	47UF 25V	HCEA1EH470T
COMP.	C958		nsp	nsp	CER. CAP.		HCBS1H270JT
COMP.	C959		nsp	nsp	CER. CAP.		HCBS1H270JT
COMP.	C960		nsp	nsp	CER. CAP.		HCBS1H270JT
COMP.	CN42		nsp	nsp	JACK		CJP07GA117ZY
COMP.	IC91		00MHC10229090	00MHC10229090	IC	NJM2584D	HVINJM2584D
COMP.	IC92		00MHC10229090	00MHC10229090	IC	NJM2584D	HVINJM2584D
COMP.	IC93		00MHC10229090	00MHC10229090	IC	NJM2584D	HVINJM2584D
COMP.	IC94		90M-HC108960R	90M-HC108960R	IC	NJM2586L	HVINJM2586L
COMP.	J901		nsp	nsp	CONN. CORD	SN95/PB5 , 0.6	C3A206
COMP.	J902		nsp	nsp	CONN. CORD	SN95/PB5 , 0.6	C3A206
COMP.	J903		nsp	nsp	CONN. CORD	SN95/PB5 , 0.6	C3A206
COMP.	J904		nsp	nsp	CONN. CORD	SN95/PB5 , 0.6	C3A206
COMP.	J905		nsp	nsp	CONN. CORD	SN95/PB5 , 0.6	C3A206
COMP.	J906		nsp	nsp	CONN. CORD	SN95/PB5 , 0.6	C3A206
COMP.	J907		nsp	nsp	CONN. CORD	SN95/PB5 , 0.6	C3A206
COMP.	J908		nsp	nsp	CONN. CORD	SN95/PB5 , 0.6	C3A206
COMP.	J909		nsp	nsp	CONN. CORD	SN95/PB5 , 0.6	C3A206
COMP.	J910		nsp	nsp	CONN. CORD	SN95/PB5 , 0.6	C3A206
COMP.	J911		nsp	nsp	CONN. CORD	SN95/PB5 , 0.6	C3A206
COMP.	J912		nsp	nsp	CONN. CORD	SN95/PB5 , 0.6	C3A206
COMP.	J913		nsp	nsp	CONN. CORD	SN95/PB5 , 0.6	C3A206
COMP.	J914		nsp	nsp	CONN. CORD	SN95/PB5 , 0.6	C3A206
COMP.	J915		nsp	nsp	CONN. CORD	SN95/PB5 , 0.6	C3A206
COMP.	J916		nsp	nsp	CONN. CORD	SN95/PB5 , 0.6	C3A206
COMP.	J917		nsp	nsp	CONN. CORD	SN95/PB5 , 0.6	C3A206
COMP.	J918		nsp	nsp	CONN. CORD	SN95/PB5 , 0.6	C3A206
COMP.	J919		nsp	nsp	CONN. CORD	SN95/PB5 , 0.6	C3A206
COMP.	J920		nsp	nsp	CONN. CORD	SN95/PB5 , 0.6	C3A206
COMP.	J921		nsp	nsp	CONN. CORD	SN95/PB5 , 0.6	C3A206
COMP.	J922		nsp	nsp	CONN. CORD	SN95/PB5 , 0.6	C3A206
COMP.	J923		nsp	nsp	CONN. CORD	SN95/PB5 , 0.6	C3A206
COMP.	J924		nsp	nsp	CONN. CORD	SN95/PB5 , 0.6	C3A206
COMP.	J925		nsp	nsp	CONN. CORD	SN95/PB5 , 0.6	C3A206
COMP.	J926		nsp	nsp	CONN. CORD	SN95/PB5 , 0.6	C3A206
COMP.	J927		nsp	nsp	CONN. CORD	SN95/PB5 , 0.6	C3A206
COMP.	J928		nsp	nsp	CONN. CORD	SN95/PB5 , 0.6	C3A206
COMP.	J929		nsp	nsp	CONN. CORD	SN95/PB5 , 0.6	C3A206
COMP.	J930		nsp	nsp	CONN. CORD	SN95/PB5 , 0.6	C3A206
COMP.	J931		nsp	nsp	CONN. CORD	SN95/PB5 , 0.6	C3A206
COMP.	J932		nsp	nsp	CONN. CORD	SN95/PB5 , 0.6	C3A206
COMP.	J933		nsp	nsp	CONN. CORD	SN95/PB5 , 0.6	C3A206
COMP.	J934		nsp	nsp	CONN. CORD	SN95/PB5 , 0.6	C3A206
COMP.	J935		nsp	nsp	CONN. CORD	SN95/PB5 , 0.6	C3A206
COMP.	J936		nsp	nsp	CONN. CORD	SN95/PB5 , 0.6	C3A206

NOTE : "nsp" PART IS LISTED FOR REFERENCE ONLY, MARANTZ WILL NOT SUPPLY THESE PARTS.



P.C.B. NAME	POS. NO.	VERS. COLOR	PART NO. (FOR EUR)	PART NO. (MJI)	PART NAME	DESCRIPTION	
COMP.	J937		nsp	nsp	CONN. CORD	SN95/PB5 , 0.6	C3A206
COMP.	J938		nsp	nsp	CONN. CORD	SN95/PB5 , 0.6	C3A206
COMP.	J939		nsp	nsp	CONN. CORD	SN95/PB5 , 0.6	C3A206
COMP.	JK91		90M-YT004360R	90M-YT004360R	TERMINAL	GOLD PLATE	CJJ4R046Z
COMP.	JK94		90M-YT004360R	90M-YT004360R	TERMINAL	GOLD PLATE	CJJ4R046Z
COMP.	JK95		90M-YT003740R	90M-YT003740R	TERMINAL	3P,G/B/R,GOLD	CJJ4S036Z
COMP.	Q901		00MHT30001000	00MHT30001000	TRS.		HVTKTC3199YT
COMP.	Q902		90M-HT600040R	90M-HT600040R	TRS.		HVTKTA1267YT
COMP.	R901		nsp	nsp	RES.	75 OHM 1/5W J	CRD20TJ750T
COMP.	R902		nsp	nsp	RES.	75 OHM 1/5W J	CRD20TJ750T
COMP.	R903		nsp	nsp	RES.	75 OHM 1/5W J	CRD20TJ750T
COMP.	R904		nsp	nsp	RES.	1M OHM 1/5W J	CRD20TJ105T
COMP.	R905		nsp	nsp	RES.	1M OHM 1/5W J	CRD20TJ105T
COMP.	R906		nsp	nsp	RES.	75 OHM 1/5W J	CRD20TJ750T
COMP.	R907		nsp	nsp	RES.	75 OHM 1/5W J	CRD20TJ750T
COMP.	R908		nsp	nsp	RES.	75 OHM 1/5W J	CRD20TJ750T
COMP.	R911		nsp	nsp	RES.	75 OHM 1/5W J	CRD20TJ750T
COMP.	R912		nsp	nsp	RES.	75 OHM 1/5W J	CRD20TJ750T
COMP.	R913		nsp	nsp	RES.	75 OHM 1/5W J	CRD20TJ750T
COMP.	R914		nsp	nsp	RES.	1M OHM 1/5W J	CRD20TJ105T
COMP.	R915		nsp	nsp	RES.	1M OHM 1/5W J	CRD20TJ105T
COMP.	R921		nsp	nsp	RES.	75 OHM 1/5W J	CRD20TJ750T
COMP.	R922		nsp	nsp	RES.	75 OHM 1/5W J	CRD20TJ750T
COMP.	R923		nsp	nsp	RES.	75 OHM 1/5W J	CRD20TJ750T
COMP.	R924		nsp	nsp	RES.	1M OHM 1/5W J	CRD20TJ105T
COMP.	R925		nsp	nsp	RES.	1M OHM 1/5W J	CRD20TJ105T
COMP.	R931		nsp	nsp	RES.	75 OHM 1/5W J	CRD20TJ750T
COMP.	R932		nsp	nsp	RES.	75 OHM 1/5W J	CRD20TJ750T
COMP.	R933		nsp	nsp	RES.	75 OHM 1/5W J	CRD20TJ750T
COMP.	R934		nsp	nsp	RES.	1M OHM 1/5W J	CRD20TJ105T
COMP.	R935		nsp	nsp	RES.	1M OHM 1/5W J	CRD20TJ105T
COMP.	R936		nsp	nsp	RES.	1M OHM 1/5W J	CRD20TJ105T
COMP.	R941		nsp	nsp	RES.	12K OHM 1/5W J	CRD20TJ123T
COMP.	R942		nsp	nsp	RES.	10K OHM 1/5W J	CRD20TJ103T
COMP.	R943		nsp	nsp	RES.	470 OHM 1/5W J	CRD20TJ471T
COMP.	R945		nsp	nsp	RES.	470 OHM 1/5W J	CRD20TJ471T
COMP.	R946		nsp	nsp	RES.	470 OHM 1/5W J	CRD20TJ471T
COMP.	R947		nsp	nsp	RES.	10K OHM 1/5W J	CRD20TJ103T
<b>VIDEO CONVERTER PCB (CUP11765)</b>							
CONV.	BN71		nsp	nsp	JACK	MOLEX42140-2206	KJP06HA37ZM
CONV.	BN72		nsp	nsp	JACK	MOLEX42140-2206	KJP06HA37ZM
CONV.	BN73		nsp	nsp	JACK	MOLEX42140-2206	KJP06HA37ZM
CONV.	BN74		nsp	nsp	JACK		CJP11GA117ZY
CONV.	C100		nsp	00MOA10605020	ELECT CAP.	10UF 50V	HCEA1HH100T
CONV.	C101		nsp	00MDK96103300	CER. CAP.		HCUS1H103KC
CONV.	C102		nsp	00MOA10605020	ELECT CAP.	10UF 50V	HCEA1HH100T
CONV.	C103		nsp	00MDK96103300	CER. CAP.		HCUS1H103KC
CONV.	C104		nsp	00MOA10605020	ELECT CAP.	10UF 50V	HCEA1HH100T
CONV.	C105		nsp	00MOA10605020	ELECT CAP.	10UF 50V	HCEA1HH100T
CONV.	C106		nsp	00MOA10605020	ELECT CAP.	10UF 50V	HCEA1HH100T
CONV.	C107		nsp	00MOA10605020	ELECT CAP.	10UF 50V	HCEA1HH100T
CONV.	C108		nsp	00MDK96103300	CER. CAP.		HCUS1H103KC
CONV.	C109		nsp	00MOA10701620	ELECT CAP.	100UF 16V	HCEA1CH101T
CONV.	C110		nsp	00MDK96104300	CER. CAP.	0.1UF ZF 1608 SIZE	HCUS1E104ZF
CONV.	C111		nsp	00MDK96104300	CER. CAP.	0.1UF ZF 1608 SIZE	HCUS1E104ZF
CONV.	C112		nsp	00MOA10605020	ELECT CAP.	10UF 50V	HCEA1HH100T
CONV.	C113		nsp	00MDD95220300	CER. CAP.		HCUS1H220JA
CONV.	C114		nsp	00MDD91090300	CER. CAP.		CCUS1H9R0JA
CONV.	C115		nsp	00MDD95220300	CER. CAP.		HCUS1H220JA
CONV.	C116		nsp	00MOA10605020	ELECT CAP.	10UF 50V	HCEA1HH100T
CONV.	C117		nsp	00MDK96103300	CER. CAP.		HCUS1H103KC
CONV.	C118		nsp	00MOA10701620	ELECT CAP.	100UF 16V	HCEA1CH101T
CONV.	C119		nsp	00MDK96103300	CER. CAP.		HCUS1H103KC
CONV.	C120		nsp	00MDK96103300	CER. CAP.		HCUS1H103KC
CONV.	C121		nsp	00MDK96103300	CER. CAP.		HCUS1H103KC
CONV.	C122		nsp	00MDK96104300	CER. CAP.	0.1UF ZF 1608 SIZE	HCUS1E104ZF

NOTE : "nsp" PART IS LISTED FOR REFERENCE ONLY, MARANTZ WILL NOT SUPPLY THESE PARTS.

P.C.B. NAME	POS. NO.	VERS. COLOR	PART NO. (FOR EUR)	PART NO. (MJI)	PART NAME	DESCRIPTION
CONV.	C123		nsp	00MDK96103300	CER. CAP.	HCUS1H103KC
CONV.	C124		nsp	00MOA10701620	ELECT CAP.	100UF 16V HCEA1CH101T
CONV.	C125		nsp	00MDK96103300	CER. CAP.	HCUS1H103KC
CONV.	C126		nsp	00MOA10701620	ELECT CAP.	100UF 16V HCEA1CH101T
CONV.	C127		nsp	00MDK96103300	CER. CAP.	HCUS1H103KC
CONV.	C128		nsp	00MDK96103300	CER. CAP.	HCUS1H103KC
CONV.	C129		nsp	00MDK96103300	CER. CAP.	HCUS1H103KC
CONV.	C130		nsp	00MDD91100300	CER. CAP.	HCUS1H100JA
CONV.	C131		nsp	00MDK96102300	CER. CAP.	HCUS1H102KB
CONV.	C132		nsp	00MDK96103300	CER. CAP.	HCUS1H103KC
CONV.	C133		nsp	00MDD95181300	CER. CAP.	HCUS1H181JA
CONV.	C134		nsp	00MDK96103300	CER. CAP.	HCUS1H103KC
CONV.	C135		nsp	00MOA10701620	ELECT CAP.	100UF 16V HCEA1CH101T
CONV.	C136		nsp	00MOA47602520	ELECT CAP.	47UF 25V HCEA1EH470T
CONV.	C137		nsp	00MOA10605020	ELECT CAP.	10UF 50V HCEA1HH100T
CONV.	C138		nsp	00MDD95220300	CER. CAP.	HCUS1H220JA
CONV.	C139		nsp	00MDK96103300	CER. CAP.	HCUS1H103KC
CONV.	C140		nsp	00MDD91090300	CER. CAP.	CCUS1H9R0JA
CONV.	C141		nsp	00MDD95220300	CER. CAP.	HCUS1H220JA
CONV.	C142		nsp	00MDK96104300	CER. CAP.	0.1UF ZF 1608 SIZE HCUS1E104ZF
CONV.	C143		nsp	00MDK96103300	CER. CAP.	HCUS1H103KC
CONV.	C144		nsp	00MDD95220300	CER. CAP.	HCUS1H220JA
CONV.	C145		nsp	00MDD91090300	CER. CAP.	CCUS1H9R0JA
CONV.	C146		nsp	00MDD95220300	CER. CAP.	HCUS1H220JA
CONV.	C147		nsp	00MDK96104300	CER. CAP.	0.1UF ZF 1608 SIZE HCUS1E104ZF
CONV.	C148		nsp	00MOA10605020	ELECT CAP.	10UF 50V HCEA1HH100T
CONV.	C149		nsp	00MOA10701620	ELECT CAP.	100UF 16V HCEA1CH101T
CONV.	C150		nsp	00MDK96103300	CER. CAP.	HCUS1H103KC
CONV.	C151		nsp	00MDK96104300	CER. CAP.	0.1UF ZF 1608 SIZE HCUS1E104ZF
CONV.	C152		nsp	00MOA10605020	ELECT CAP.	10UF 50V HCEA1HH100T
CONV.	C153	/A1B	nsp	00MDD91100300	CER. CAP.	HCUS1H100JA
CONV.	C153	/A1S	nsp	00MDD91100300	CER. CAP.	HCUS1H100JA
CONV.	C153	/N1B	nsp	00MDD91100300	CER. CAP.	HCUS1H100JA
CONV.	C153	/N1G	nsp	00MDD91100300	CER. CAP.	HCUS1H100JA
CONV.	C153	/N1S	nsp	00MDD91100300	CER. CAP.	HCUS1H100JA
CONV.	C154		nsp	00MDD91100300	CER. CAP.	HCUS1H100JA
CONV.	C155		nsp	00MDK96224200	CER. CAP.	HCUS1C224ZF
CONV.	C156		nsp	00MDK96222300	CER. CAP.	HCUS1H222KC
CONV.	C157		nsp	00MDK96103300	CER. CAP.	HCUS1H103KC
CONV.	C158		nsp	00MOA22505020	ELECT CAP.	2.2UF 50V HCEA1HH2R2T
CONV.	C159		nsp	00MDK96104300	CER. CAP.	0.1UF ZF 1608 SIZE HCUS1E104ZF
CONV.	C160		nsp	00MDK98223300	CER. CAP.	HCUS1H223KC
CONV.	C161		nsp	00MOA22505020	ELECT CAP.	2.2UF 50V HCEA1HH2R2T
CONV.	C162		nsp	00MOA47602520	ELECT CAP.	47UF 25V HCEA1EH470T
CONV.	C163		nsp	00MDK96103300	CER. CAP.	HCUS1H103KC
CONV.	C164		nsp	00MOA47602520	ELECT CAP.	47UF 25V HCEA1EH470T
CONV.	C165		nsp	00MDK96103300	CER. CAP.	HCUS1H103KC
CONV.	C166		nsp	00MDK96104300	CER. CAP.	0.1UF ZF 1608 SIZE HCUS1E104ZF
CONV.	C167		nsp	00MDK96104300	CER. CAP.	0.1UF ZF 1608 SIZE HCUS1E104ZF
CONV.	C168		nsp	00MDK96104300	CER. CAP.	0.1UF ZF 1608 SIZE HCUS1E104ZF
CONV.	C169		nsp	00MDK96104300	CER. CAP.	0.1UF ZF 1608 SIZE HCUS1E104ZF
CONV.	C170		nsp	00MDK96104300	CER. CAP.	0.1UF ZF 1608 SIZE HCUS1E104ZF
CONV.	C171		nsp	00MDK96104300	CER. CAP.	0.1UF ZF 1608 SIZE HCUS1E104ZF
CONV.	C172		nsp	00MDK96104300	CER. CAP.	0.1UF ZF 1608 SIZE HCUS1E104ZF
CONV.	C173		nsp	00MDK96103300	CER. CAP.	HCUS1H103KC
CONV.	C174		nsp	00MOA10701620	ELECT CAP.	100UF 16V HCEA1CH101T
CONV.	C175		nsp	00MDK96102300	CER. CAP.	HCUS1H102KB
CONV.	C176		nsp	00MDK96104300	CER. CAP.	0.1UF ZF 1608 SIZE HCUS1E104ZF
CONV.	C177		nsp	00MOA47602520	ELECT CAP.	47UF 25V HCEA1EH470T
CONV.	C178		nsp	00MDK96103300	CER. CAP.	HCUS1H103KC
CONV.	C179		nsp	00MDD95220300	CER. CAP.	HCUS1H220JA
CONV.	C180		nsp	00MDD95220300	CER. CAP.	HCUS1H220JA
CONV.	C181		nsp	00MOA47602520	ELECT CAP.	47UF 25V HCEA1EH470T
CONV.	C182		nsp	00MDK96103300	CER. CAP.	HCUS1H103KC
CONV.	C183		nsp	00MDK98473300	CER. CAP.	HCUS1H473ZF
CONV.	C184		nsp	00MDK98473300	CER. CAP.	HCUS1H473ZF

NOTE : "nsp" PART IS LISTED FOR REFERENCE ONLY, MARANTZ WILL NOT SUPPLY THESE PARTS.

P.C.B. NAME	POS. NO.	VERS. COLOR	PART NO. (FOR EUR)	PART NO. (MJI)	PART NAME	DESCRIPTION
CONV.	C185		nsp	00MDK96103300	CER. CAP.	HCUS1H103KC
CONV.	C186		nsp	00MDK96103300	CER. CAP.	HCUS1H103KC
CONV.	C187		nsp	00MDK96103300	CER. CAP.	HCUS1H103KC
CONV.	C188		nsp	00MDK96103300	CER. CAP.	HCUS1H103KC
CONV.	C189		nsp	00MDK96103300	CER. CAP.	HCUS1H103KC
CONV.	C190		nsp	00MDK96103300	CER. CAP.	HCUS1H103KC
CONV.	C191		nsp	00MDK96103300	CER. CAP.	HCUS1H103KC
CONV.	C192		nsp	00MDK96103300	CER. CAP.	HCUS1H103KC
CONV.	C193		nsp	00MOA47602520	ELECT CAP.	47UF 25V HCEA1EH470T
CONV.	C194		nsp	00MDK96103300	CER. CAP.	HCUS1H103KC
CONV.	C195		nsp	00MDK96103300	CER. CAP.	HCUS1H103KC
CONV.	C196		nsp	00MOA47602520	ELECT CAP.	47UF 25V HCEA1EH470T
CONV.	C197		nsp	00MDK96104300	CER. CAP.	0.1UF ZF 1608 SIZE HCUS1E104ZF
CONV.	C198		nsp	00MOA10605020	ELECT CAP.	10UF 50V HCEA1HH100T
CONV.	C199		nsp	00MDK96103300	CER. CAP.	HCUS1H103KC
CONV.	C200		nsp	00MOA47602520	ELECT CAP.	47UF 25V HCEA1EH470T
CONV.	C201		nsp	00MDK96103300	CER. CAP.	HCUS1H103KC
CONV.	C202		nsp	00MDD95220300	CER. CAP.	HCUS1H220JA
CONV.	C203		nsp	00MDD91090300	CER. CAP.	CCUS1H9R0JA
CONV.	C204		nsp	00MDD95220300	CER. CAP.	HCUS1H220JA
CONV.	C205		nsp	00MOA47602520	ELECT CAP.	47UF 25V HCEA1EH470T
CONV.	C206		nsp	00MDK96103300	CER. CAP.	HCUS1H103KC
CONV.	C207		nsp	00MDD95220300	CER. CAP.	HCUS1H220JA
CONV.	C208		nsp	00MDD91090300	CER. CAP.	CCUS1H9R0JA
CONV.	C209		nsp	00MDD95220300	CER. CAP.	HCUS1H220JA
CONV.	C210		nsp	00MOA47602520	ELECT CAP.	47UF 25V HCEA1EH470T
CONV.	C211		nsp	00MDK96103300	CER. CAP.	HCUS1H103KC
CONV.	C212		nsp	00MDD95220300	CER. CAP.	HCUS1H220JA
CONV.	C213		nsp	00MDD91090300	CER. CAP.	CCUS1H9R0JA
CONV.	C214		nsp	00MDD95220300	CER. CAP.	HCUS1H220JA
CONV.	C215		nsp	00MDK98473300	CER. CAP.	HCUS1H473ZF
CONV.	C216		nsp	00MDK98473300	CER. CAP.	HCUS1H473ZF
CONV.	C217		nsp	00MDK96104300	CER. CAP.	0.1UF ZF 1608 SIZE HCUS1E104ZF
CONV.	C218		nsp	00MOA47602520	ELECT CAP.	47UF 25V HCEA1EH470T
CONV.	C219		nsp	00MDK96104300	CER. CAP.	0.1UF ZF 1608 SIZE HCUS1E104ZF
CONV.	C220		nsp	00MOA47602520	ELECT CAP.	47UF 25V HCEA1EH470T
CONV.	C221		nsp	00MDK96103300	CER. CAP.	HCUS1H103KC
CONV.	CN71		nsp	nsp	JACK	CJP07GA117ZY
CONV.	IC11		90M-HC108830R	90M-HC108830R	IC	NJM2285M(Te1) HVINJM2285MTE1
CONV.	IC12		90M-HC108840R	90M-HC108840R	IC	HVITC90A49F
CONV.	IC13		90M-HC108850R	90M-HC108850R	IC	R59-4174 HVIMM1511XNRE
CONV.	IC14		90M-HC108810R	90M-HC108810R	IC	HVITA1270BF
CONV.	IC15		90M-HC900040R	90M-HC900040R	IC REG	KIA7809AF HVIKIA7809AF
CONV.	IC16		90M-HC400060R	90M-HC400060R	IC	TC74HC4094AFN HVITC74HC4094FN
CONV.	IC17		90M-HC109260R	90M-HC109260R	IC	BVISAA7115HLV1
CONV.	IC18		90M-HC108820R	90M-HC108820R	IC	AK8812-T HVIK8812
CONV.	IC19		90M-HC900050R	90M-HC900050R	IC REG	KIA78D33F HVIKIA78D33F
CONV.	L100		nsp	nsp	COIL	22UH,K HLQ02C220KT
CONV.	L101		nsp	nsp	COIL	HLQ02C100KT
CONV.	L102		nsp	nsp	COIL	HLQ02C100KT
CONV.	L103		nsp	nsp	COIL	HLQ02C100KT
CONV.	L104		nsp	nsp	COIL	HLQ02C100KT
CONV.	L105		nsp	nsp	COIL	22UH,K HLQ02C220KT
CONV.	L106		nsp	nsp	COIL	22UH,K HLQ02C220KT
CONV.	L107		nsp	nsp	COIL	HLQ02C100KT
CONV.	L108		nsp	nsp	COIL	HLQ02C100KT
CONV.	L109		nsp	nsp	COIL	22UH,K HLQ02C220KT
CONV.	L110		nsp	nsp	COIL	22UH,K HLQ02C220KT
CONV.	L111		nsp	nsp	COIL	22UH,K HLQ02C220KT
CONV.	Q100		90M-HT600050R	90M-HT600050R	TRS.	TRPNPB-R2 HVTKTA2014GR
CONV.	Q101		90M-HT600050R	90M-HT600050R	TRS.	TRPNPB-R2 HVTKTA2014GR
CONV.	Q102		90M-HT800110R	90M-HT800110R	TRS.	TRPNPB HVTKTC4075GR
CONV.	Q103		90M-HT600050R	90M-HT600050R	TRS.	TRPNPB-R2 HVTKTA2014GR
CONV.	Q104		90M-HT800110R	90M-HT800110R	TRS.	TRPNPB HVTKTC4075GR
CONV.	Q105		90M-HT600050R	90M-HT600050R	TRS.	TRPNPB-R2 HVTKTA2014GR
CONV.	Q106		90M-HT800110R	90M-HT800110R	TRS.	TRPNPB HVTKTC4075GR

NOTE : "nsp" PART IS LISTED FOR REFERENCE ONLY, MARANTZ WILL NOT SUPPLY THESE PARTS.

P.C.B. NAME	POS. NO.	VERS. COLOR	PART NO. (FOR EUR)	PART NO. (MJ)	PART NAME	DESCRIPTION
CONV.	Q107		90M-HT600050R	90M-HT600050R	TRS.	TRPNPB-R2 HVTKTA2014GR
CONV.	Q108		90M-HT800110R	90M-HT800110R	TRS.	TRPNPB HVTKTC4075GR
CONV.	Q109		90M-HT600050R	90M-HT600050R	TRS.	TRPNPB-R2 HVTKTA2014GR
CONV.	Q110		90M-HT800110R	90M-HT800110R	TRS.	TRPNPB HVTKTC4075GR
CONV.	Q111		90M-HT600050R	90M-HT600050R	TRS.	TRPNPB-R2 HVTKTA2014GR
CONV.	Q112		90M-HT800110R	90M-HT800110R	TRS.	TRPNPB HVTKTC4075GR
CONV.	Q113		90M-HT600050R	90M-HT600050R	TRS.	TRPNPB-R2 HVTKTA2014GR
CONV.	Q114		90M-HT800110R	90M-HT800110R	TRS.	TRPNPB HVTKTC4075GR
CONV.	Q115		90M-HT600050R	90M-HT600050R	TRS.	TRPNPB-R2 HVTKTA2014GR
CONV.	Q116		90M-HT800110R	90M-HT800110R	TRS.	TRPNPB HVTKTC4075GR
CONV.	Q117		90M-HT600050R	90M-HT600050R	TRS.	TRPNPB-R2 HVTKTA2014GR
CONV.	Q118		90M-HX800010R	90M-HX800010R	CHIP TRS.	KRC102S HVTKRC102S
CONV.	Q119		90M-HX800010R	90M-HX800010R	CHIP TRS.	KRC102S HVTKRC102S
CONV.	Q120		90M-HT800110R	90M-HT800110R	TRS.	TRPNPB HVTKTC4075GR
CONV.	Q121		90M-HY200040R	90M-HY200040R	CHIP FET	HN1K05FU HVTHN1K05FU
CONV.	R100		nsp	00MNN05102610	CHIP RES.	1KOHM/1608/5% CRJ10DJ102T
CONV.	R101		nsp	00MNN05820610	CHIP RES.	820 OHM/1608/5% CRJ10DJ821T
CONV.	R102		nsp	00MNN05102610	CHIP RES.	1KOHM/1608/5% CRJ10DJ102T
CONV.	R103		nsp	00MNN05152610	CHIP RES.	1.5KOHM/1608/5% CRJ10DJ152T
CONV.	R104		nsp	00MNN05102610	CHIP RES.	1KOHM/1608/5% CRJ10DJ102T
CONV.	R105		nsp	00MNN05820610	CHIP RES.	820 OHM/1608/5% CRJ10DJ821T
CONV.	R106		nsp	00MNN05102610	CHIP RES.	1KOHM/1608/5% CRJ10DJ102T
CONV.	R107		nsp	00MNN05152610	CHIP RES.	1.5KOHM/1608/5% CRJ10DJ152T
CONV.	R108		nsp	00MNN05105610	CHIP RES.	1MOHM/1608/5% CRJ10DJ105T
CONV.	R109		nsp	00MNN05105610	CHIP RES.	1MOHM/1608/5% CRJ10DJ105T
CONV.	R110		nsp	00MNN05105610	CHIP RES.	1MOHM/1608/5% CRJ10DJ105T
CONV.	R111		nsp	00MNN05105610	CHIP RES.	1MOHM/1608/5% CRJ10DJ105T
CONV.	R112		nsp	00MNN05224610	CHIP RES.	220KOHM/1608/5% CRJ10DJ224T
CONV.	R113		nsp	00MNN05222610	CHIP RES.	2.2KOHM/1608/5% CRJ10DJ222T
CONV.	R114		nsp	00MNN05102610	CHIP RES.	1KOHM/1608/5% CRJ10DJ102T
CONV.	R115		nsp	00MNN05102610	CHIP RES.	1KOHM/1608/5% CRJ10DJ102T
CONV.	R116		nsp	00MNN05222610	CHIP RES.	2.2KOHM/1608/5% CRJ10DJ222T
CONV.	R117		nsp	00MNN05101610	CHIP RES.	100 OHM/1608/5% CRJ10DJ101T
CONV.	R118		nsp	00MNN05101610	CHIP RES.	100 OHM/1608/5% CRJ10DJ101T
CONV.	R119		nsp	00MNN05820610	CHIP RES.	820 OHM/1608/5% CRJ10DJ821T
CONV.	R120		nsp	00MNN05123610	CHIP RES.	12KOHM/1608/5% CRJ10DJ123T
CONV.	R121		nsp	00MNN05103610	CHIP RES.	10KOHM/1608/5% CRJ10DJ103T
CONV.	R122		nsp	00MNN05471610	CHIP RES.	470 OHM/1608/5% CRJ10DJ471T
CONV.	R123		nsp	00MNN05471610	CHIP RES.	470 OHM/1608/5% CRJ10DJ471T
CONV.	R124		nsp	00MNN05471610	CHIP RES.	470 OHM/1608/5% CRJ10DJ471T
CONV.	R125		nsp	00MNN05103610	CHIP RES.	10KOHM/1608/5% CRJ10DJ103T
CONV.	R126		nsp	00MNN05102610	CHIP RES.	1KOHM/1608/5% CRJ10DJ102T
CONV.	R127		nsp	00MNN05102610	CHIP RES.	1KOHM/1608/5% CRJ10DJ102T
CONV.	R128		nsp	00MNN05471610	CHIP RES.	470 OHM/1608/5% CRJ10DJ471T
CONV.	R129		nsp	00MNN05471610	CHIP RES.	470 OHM/1608/5% CRJ10DJ471T
CONV.	R130		nsp	00MNN05471610	CHIP RES.	470 OHM/1608/5% CRJ10DJ471T
CONV.	R131		nsp	00MNN05103610	CHIP RES.	10KOHM/1608/5% CRJ10DJ103T
CONV.	R132		nsp	00MNN05123610	CHIP RES.	12KOHM/1608/5% CRJ10DJ123T
CONV.	R133		nsp	00MNN05103610	CHIP RES.	10KOHM/1608/5% CRJ10DJ103T
CONV.	R134		nsp	00MNN05471610	CHIP RES.	470 OHM/1608/5% CRJ10DJ471T
CONV.	R135		nsp	00MNN05471610	CHIP RES.	470 OHM/1608/5% CRJ10DJ471T
CONV.	R136		nsp	00MNN05471610	CHIP RES.	470 OHM/1608/5% CRJ10DJ471T
CONV.	R137		nsp	00MNN05103610	CHIP RES.	10KOHM/1608/5% CRJ10DJ103T
CONV.	R138		nsp	00MNN05102610	CHIP RES.	1KOHM/1608/5% CRJ10DJ102T
CONV.	R139		nsp	00MNN05102610	CHIP RES.	1KOHM/1608/5% CRJ10DJ102T
CONV.	R140		nsp	00MNN05471610	CHIP RES.	470 OHM/1608/5% CRJ10DJ471T
CONV.	R141		nsp	00MNN05471610	CHIP RES.	470 OHM/1608/5% CRJ10DJ471T
CONV.	R142		nsp	00MNN05471610	CHIP RES.	470 OHM/1608/5% CRJ10DJ471T
CONV.	R143		nsp	00MNN05103610	CHIP RES.	10KOHM/1608/5% CRJ10DJ103T
CONV.	R144		nsp	00MNN05333610	CHIP RES.	33KOHM/1608/5% CRJ10DJ333T
CONV.	R145		nsp	00MNN05332610	CHIP RES.	3.3KOHM/1608/5% CRJ10DJ332T
CONV.	R146		nsp	00MNN05331610	CHIP RES.	330 OHM/1608/5% CRJ10DJ331T
CONV.	R147		nsp	00MNN05101610	CHIP RES.	100 OHM/1608/5% CRJ10DJ101T
CONV.	R148		nsp	00MNN05101610	CHIP RES.	100 OHM/1608/5% CRJ10DJ101T
CONV.	R149		nsp	00MNN05101610	CHIP RES.	100 OHM/1608/5% CRJ10DJ101T
CONV.	R150		nsp	00MNN05101610	CHIP RES.	100 OHM/1608/5% CRJ10DJ101T

NOTE : "nsp" PART IS LISTED FOR REFERENCE ONLY, MARANTZ WILL NOT SUPPLY THESE PARTS.

P.C.B. NAME	POS. NO.	VERS. COLOR	PART NO. (FOR EUR)	PART NO. (MJI)	PART NAME	DESCRIPTION
CONV.	R151		nsp	00MNN05101610	CHIP RES.	100 OHM/1608/5% CRJ10DJ101T
CONV.	R152		nsp	00MNN05330610	CHIP RES.	33 OHM/1608/5% CRJ10DJ330T
CONV.	R153		nsp	00MNN05330610	CHIP RES.	33 OHM/1608/5% CRJ10DJ330T
CONV.	R154		nsp	00MNN05330610	CHIP RES.	33 OHM/1608/5% CRJ10DJ330T
CONV.	R155		nsp	00MNN05330610	CHIP RES.	33 OHM/1608/5% CRJ10DJ330T
CONV.	R156		nsp	00MNN05330610	CHIP RES.	33 OHM/1608/5% CRJ10DJ330T
CONV.	R157		nsp	00MNN05330610	CHIP RES.	33 OHM/1608/5% CRJ10DJ330T
CONV.	R158		nsp	00MNN05330610	CHIP RES.	33 OHM/1608/5% CRJ10DJ330T
CONV.	R159		nsp	00MNN05330610	CHIP RES.	33 OHM/1608/5% CRJ10DJ330T
CONV.	R160		nsp	00MNN05330610	CHIP RES.	33 OHM/1608/5% CRJ10DJ330T
CONV.	R161		nsp	00MNN05101610	CHIP RES.	100 OHM/1608/5% CRJ10DJ101T
CONV.	R162		nsp	00MNN05103610	CHIP RES.	10KOHM/1608/5% CRJ10DJ103T
CONV.	R163		nsp	00MNN05101610	CHIP RES.	100 OHM/1608/5% CRJ10DJ101T
CONV.	R165		nsp	00MNN05222610	CHIP RES.	2.2KOHM/1608/5% CRJ10DJ222T
CONV.	R166		nsp	00MNN05222610	CHIP RES.	2.2KOHM/1608/5% CRJ10DJ222T
CONV.	R167		nsp	00MNN05103610	CHIP RES.	10KOHM/1608/5% CRJ10DJ103T
CONV.	R168		nsp	00MNN05123610	CHIP RES.	12KOHM/1608/5% CRJ10DJ123T
CONV.	R169		nsp	00MNN05000610	CHIP RES.	0 OHM/1608/5% CRJ10DJ0R0T
CONV.	R170		nsp	00MNN05391610	CHIP RES.	390 OHM/1608/5% CRJ10DJ391T
CONV.	R171		nsp	00MNN05183610	CHIP RES.	18KOHM/1608/5% CRJ10DJ183T
CONV.	R172		nsp	00MNN05103610	CHIP RES.	10KOHM/1608/5% CRJ10DJ103T
CONV.	R173		nsp	00MNN05471610	CHIP RES.	470 OHM/1608/5% CRJ10DJ471T
CONV.	R174		nsp	00MNN05471610	CHIP RES.	470 OHM/1608/5% CRJ10DJ471T
CONV.	R175		nsp	00MNN05471610	CHIP RES.	470 OHM/1608/5% CRJ10DJ471T
CONV.	R176		nsp	00MNN05103610	CHIP RES.	10KOHM/1608/5% CRJ10DJ103T
CONV.	R177		nsp	00MNN05102610	CHIP RES.	1KOHM/1608/5% CRJ10DJ102T
CONV.	R178		nsp	00MNN05102610	CHIP RES.	1KOHM/1608/5% CRJ10DJ102T
CONV.	R179		nsp	00MNN05391610	CHIP RES.	390 OHM/1608/5% CRJ10DJ391T
CONV.	R180		nsp	00MNN05183610	CHIP RES.	18KOHM/1608/5% CRJ10DJ183T
CONV.	R181		nsp	00MNN05103610	CHIP RES.	10KOHM/1608/5% CRJ10DJ103T
CONV.	R182		nsp	00MNN05471610	CHIP RES.	470 OHM/1608/5% CRJ10DJ471T
CONV.	R183		nsp	00MNN05471610	CHIP RES.	470 OHM/1608/5% CRJ10DJ471T
CONV.	R184		nsp	00MNN05471610	CHIP RES.	470 OHM/1608/5% CRJ10DJ471T
CONV.	R185		nsp	00MNN05103610	CHIP RES.	10KOHM/1608/5% CRJ10DJ103T
CONV.	R186		nsp	00MNN05102610	CHIP RES.	1KOHM/1608/5% CRJ10DJ102T
CONV.	R187		nsp	00MNN05102610	CHIP RES.	1KOHM/1608/5% CRJ10DJ102T
CONV.	R188		nsp	00MNN05391610	CHIP RES.	390 OHM/1608/5% CRJ10DJ391T
CONV.	R189		nsp	00MNN05183610	CHIP RES.	18KOHM/1608/5% CRJ10DJ183T
CONV.	R190		nsp	00MNN05103610	CHIP RES.	10KOHM/1608/5% CRJ10DJ103T
CONV.	R191		nsp	00MNN05471610	CHIP RES.	470 OHM/1608/5% CRJ10DJ471T
CONV.	R192		nsp	00MNN05471610	CHIP RES.	470 OHM/1608/5% CRJ10DJ471T
CONV.	R193		nsp	00MNN05471610	CHIP RES.	470 OHM/1608/5% CRJ10DJ471T
CONV.	R194		nsp	00MNN05103610	CHIP RES.	10KOHM/1608/5% CRJ10DJ103T
CONV.	R195		nsp	00MNN05102610	CHIP RES.	1KOHM/1608/5% CRJ10DJ102T
CONV.	R196		nsp	00MNN05102610	CHIP RES.	1KOHM/1608/5% CRJ10DJ102T
CONV.	R197		nsp	00MNN05103610	CHIP RES.	10KOHM/1608/5% CRJ10DJ103T
CONV.	R198		nsp	00MNN05102610	CHIP RES.	1KOHM/1608/5% CRJ10DJ102T
CONV.	R200		nsp	00MNN05222610	CHIP RES.	2.2KOHM/1608/5% CRJ10DJ222T
CONV.	R201		nsp	00MNN05222610	CHIP RES.	2.2KOHM/1608/5% CRJ10DJ222T
CONV.	VR11		90M-RA001080R	90M-RA001080R	TRIM. RES.	RH0638C-471 HVN1RA471B01T
CONV.	VR12		90M-RA001080R	90M-RA001080R	TRIM. RES.	RH0638C-471 HVN1RA471B01T
CONV.	X100	/A1B	nsp	90M-JX001160R	X'TAL	4.433MHZ HOX04433E120TF
CONV.	X100	/A1S	nsp	90M-JX001160R	X'TAL	4.433MHZ HOX04433E120TF
CONV.	X100	/N1B	90M-JX001160R	90M-JX001160R	X'TAL	4.433MHZ HOX04433E120TF
CONV.	X100	/N1G	90M-JX001160R	90M-JX001160R	X'TAL	4.433MHZ HOX04433E120TF
CONV.	X100	/N1S	90M-JX001160R	90M-JX001160R	X'TAL	4.433MHZ HOX04433E120TF
CONV.	X101		90M-JX001150R	90M-JX001150R	X'TAL	3.579MHZ HOX03579E120TF
CONV.	X102		90M-FQ000580R	90M-FQ000580R	CER. VIB.	BVFC5BLA503KECZ
CONV.	X103		90M-JX001170R	90M-JX001170R	X'TAL	24.576MHZ HOX24576E150TF
					<b>DSP PCB (CUP11762)</b>	
DSP	BC11		nsp	nsp	CONN. CORD	SN95/PB5 , 0.6 C3A206
DSP	BC12		nsp	nsp	CONN. CORD	SN95/PB5 , 0.6 C3A206
DSP	C100		nsp	00MDK96104300	CER. CAP.	0.1UF ZF 1608 SIZE HCUS1E104ZF
DSP	C101		nsp	00MDK96104300	CER. CAP.	0.1UF ZF 1608 SIZE HCUS1E104ZF
DSP	C102		nsp	00MOA10605020	ELECT CAP.	10UF 50V HCEA1HH100T
DSP	C103		nsp	00MDK96104300	CER. CAP.	0.1UF ZF 1608 SIZE HCUS1E104ZF

NOTE : "nsp" PART IS LISTED FOR REFERENCE ONLY, MARANTZ WILL NOT SUPPLY THESE PARTS.

P.C.B. NAME	POS. NO.	VERS. COLOR	PART NO. (FOR EUR)	PART NO. (MJI)	PART NAME	DESCRIPTION
DSP	C104		nsp	00MDD95101300	CER. CAP.	HCUS1H101JA
DSP	C105		nsp	00MDK96104300	CER. CAP.	HCUS1H103KC
DSP	C106		nsp	00MOA47601640	ELECT CAP.	47UF 16V HCEA1CH470T
DSP	C107		nsp	00MDK96104300	CER. CAP.	0.1UF ZF 1608 SIZE HCUS1E104ZF
DSP	C108		nsp	00MDD95101300	CER. CAP.	HCUS1H101JA
DSP	C109		nsp	00MDK96104300	CER. CAP.	HCUS1H103KC
DSP	C110		nsp	00MOA47601640	ELECT CAP.	47UF 16V HCEA1CH470T
DSP	C111		nsp	00MDK96104300	CER. CAP.	0.1UF ZF 1608 SIZE HCUS1E104ZF
DSP	C112		nsp	00MDD95101300	CER. CAP.	HCUS1H101JA
DSP	C113		nsp	00MDK96104300	CER. CAP.	HCUS1H103KC
DSP	C114		nsp	00MOA47601640	ELECT CAP.	47UF 16V HCEA1CH470T
DSP	C115		nsp	00MDK96104300	CER. CAP.	0.1UF ZF 1608 SIZE HCUS1E104ZF
DSP	C116		nsp	00MDK96104300	CER. CAP.	0.1UF ZF 1608 SIZE HCUS1E104ZF
DSP	C117		nsp	00MDD95330300	CER. CAP.	HCUS1H330JA
DSP	C118		nsp	00MDD95330300	CER. CAP.	HCUS1H330JA
DSP	C119		nsp	00MDK96104300	CER. CAP.	0.1UF ZF 1608 SIZE HCUS1E104ZF
DSP	C120		nsp	00MDK96104300	CER. CAP.	0.1UF ZF 1608 SIZE HCUS1E104ZF
DSP	C121		nsp	00MDK96104300	CER. CAP.	0.1UF ZF 1608 SIZE HCUS1E104ZF
DSP	C122		nsp	00MOA22605020	ELECT CAP.	22UF 25V HCEA1EH220T
DSP	C123		nsp	00MDK96104300	CER. CAP.	0.1UF ZF 1608 SIZE HCUS1E104ZF
DSP	C124		nsp	00MDK96104300	CER. CAP.	0.1UF ZF 1608 SIZE HCUS1E104ZF
DSP	C125		nsp	00MDK98223300	CER. CAP.	HCUS1H223KC
DSP	C126		nsp	00MDK96104300	CER. CAP.	0.1UF ZF 1608 SIZE HCUS1E104ZF
DSP	C127		nsp	00MOA22605020	ELECT CAP.	22UF 25V HCEA1EH220T
DSP	C128		nsp	00MDK96104300	CER. CAP.	0.1UF ZF 1608 SIZE HCUS1E104ZF
DSP	C129		nsp	00MOA22605020	ELECT CAP.	22UF 25V HCEA1EH220T
DSP	C130		nsp	00MDK96104300	CER. CAP.	0.1UF ZF 1608 SIZE HCUS1E104ZF
DSP	C131		nsp	00MOA22605020	ELECT CAP.	22UF 25V HCEA1EH220T
DSP	C132		nsp	00MDD95330300	CER. CAP.	HCUS1H330JA
DSP	C133		nsp	00MDD95330300	CER. CAP.	HCUS1H330JA
DSP	C134		nsp	00MDK96104300	CER. CAP.	0.1UF ZF 1608 SIZE HCUS1E104ZF
DSP	C135		nsp	00MDD95101300	CER. CAP.	HCUS1H101JA
DSP	C136		nsp	00MDK96104300	CER. CAP.	0.1UF ZF 1608 SIZE HCUS1E104ZF
DSP	C137		nsp	00MOA22605020	ELECT CAP.	22UF 25V HCEA1EH220T
DSP	C138		nsp	00MOA22605020	ELECT CAP.	22UF 25V HCEA1EH220T
DSP	C139		nsp	00MOA22605020	ELECT CAP.	22UF 25V HCEA1EH220T
DSP	C141		nsp	00MDD95101300	CER. CAP.	HCUS1H101JA
DSP	C142		nsp	00MDD95151300	CER. CAP.	150PF JA 1608 SIZE HCUS1H151JA
DSP	C143		nsp	00MDK96104300	CER. CAP.	0.1UF ZF 1608 SIZE HCUS1E104ZF
DSP	C144		nsp	00MDK96272300	CER. CAP.	HCUS1H272KC
DSP	C145		nsp	00MOA22605020	ELECT CAP.	22UF 25V HCEA1EH220T
DSP	C146		nsp	00MOA22605020	ELECT CAP.	22UF 25V HCEA1EH220T
DSP	C148		nsp	00MDD95101300	CER. CAP.	HCUS1H101JA
DSP	C149		nsp	00MDD95151300	CER. CAP.	150PF JA 1608 SIZE HCUS1H151JA
DSP	C150		nsp	00MDK96104300	CER. CAP.	0.1UF ZF 1608 SIZE HCUS1E104ZF
DSP	C151		nsp	00MDK96272300	CER. CAP.	HCUS1H272KC
DSP	C152		nsp	00MOA10701620	ELECT CAP.	100UF 16V HCEA1CH101T
DSP	C153		nsp	00MDK96104300	CER. CAP.	0.1UF ZF 1608 SIZE HCUS1E104ZF
DSP	C154		nsp	00MDD95471300	CER. CAP.	HCUS1H471JA
DSP	C155		nsp	00MDK96104300	CER. CAP.	0.1UF ZF 1608 SIZE HCUS1E104ZF
DSP	C156		nsp	00MOA22605020	ELECT CAP.	22UF 25V HCEA1EH220T
DSP	C157		nsp	00MDK96104300	CER. CAP.	0.1UF ZF 1608 SIZE HCUS1E104ZF
DSP	C158		nsp	00MOA22605020	ELECT CAP.	22UF 25V HCEA1EH220T
DSP	C159		nsp	00MDK96104300	CER. CAP.	0.1UF ZF 1608 SIZE HCUS1E104ZF
DSP	C160		nsp	00MOA22605020	ELECT CAP.	22UF 25V HCEA1EH220T
DSP	C161		nsp	00MDK96104300	CER. CAP.	0.1UF ZF 1608 SIZE HCUS1E104ZF
DSP	C162		nsp	00MOA22605020	ELECT CAP.	22UF 25V HCEA1EH220T
DSP	C163		nsp	00MDK96104300	CER. CAP.	0.1UF ZF 1608 SIZE HCUS1E104ZF
DSP	C164		nsp	00MDK96104300	CER. CAP.	0.1UF ZF 1608 SIZE HCUS1E104ZF
DSP	C165		nsp	00MOA22605020	ELECT CAP.	22UF 25V HCEA1EH220T
DSP	C166		nsp	00MDK96104300	CER. CAP.	0.1UF ZF 1608 SIZE HCUS1E104ZF
DSP	C167		nsp	00MOA22505020	ELECT CAP.	2.2UF 50V HCEA1HH2R2T
DSP	C168		nsp	00MDD95680300	CER. CAP.	HCUS1H680JA
DSP	C169		nsp	00MDK96122300	CER. CAP.	HCUS1H122KC
DSP	C170		nsp	00MDK96103300	CER. CAP.	HCUS1H103KC
DSP	C171		nsp	00MDK96105200	CER. CAP.	HCUS1C105ZF

NOTE : "nsp" PART IS LISTED FOR REFERENCE ONLY, MARANTZ WILL NOT SUPPLY THESE PARTS.

P.C.B. NAME	POS. NO.	VERS. COLOR	PART NO. (FOR EUR)	PART NO. (MJI)	PART NAME	DESCRIPTION	
DSP	C172		nsp	00MOA47601640	ELECT CAP.	47UF 16V	HCEA1CH470T
DSP	C173		nsp	00MDK96104300	CER. CAP.	0.1UF ZF 1608 SIZE	HCUS1E104ZF
DSP	C174		nsp	00MDK96104300	CER. CAP.	0.1UF ZF 1608 SIZE	HCUS1E104ZF
DSP	C175		nsp	00MOA22605020	ELECT CAP.	22UF 25V	HCEA1EH220T
DSP	C176		nsp	00MDK96104300	CER. CAP.	0.1UF ZF 1608 SIZE	HCUS1E104ZF
DSP	C177		nsp	00MDK96104300	CER. CAP.	0.1UF ZF 1608 SIZE	HCUS1E104ZF
DSP	C178		nsp	00MDK96104300	CER. CAP.	0.1UF ZF 1608 SIZE	HCUS1E104ZF
DSP	C179		nsp	00MOA22605020	ELECT CAP.	22UF 25V	HCEA1EH220T
DSP	C180		nsp	00MDK96104300	CER. CAP.	0.1UF ZF 1608 SIZE	HCUS1E104ZF
DSP	C181		nsp	00MOA22605020	ELECT CAP.	22UF 25V	HCEA1EH220T
DSP	C182		nsp	00MDK96104300	CER. CAP.	0.1UF ZF 1608 SIZE	HCUS1E104ZF
DSP	C183		nsp	00MDK96104300	CER. CAP.	0.1UF ZF 1608 SIZE	HCUS1E104ZF
DSP	C184		nsp	00MDK96104300	CER. CAP.	0.1UF ZF 1608 SIZE	HCUS1E104ZF
DSP	C185		nsp	00MOA22605020	ELECT CAP.	22UF 25V	HCEA1EH220T
DSP	C186		nsp	00MDK96104300	CER. CAP.	0.1UF ZF 1608 SIZE	HCUS1E104ZF
DSP	C187		nsp	00MOA22605020	ELECT CAP.	22UF 25V	HCEA1EH220T
DSP	C188		nsp	00MDK96104300	CER. CAP.	0.1UF ZF 1608 SIZE	HCUS1E104ZF
DSP	C190		nsp	00MDK96104300	CER. CAP.	0.1UF ZF 1608 SIZE	HCUS1E104ZF
DSP	C191		nsp	00MDK96104300	CER. CAP.	0.1UF ZF 1608 SIZE	HCUS1E104ZF
DSP	C192		nsp	00MDK96104300	CER. CAP.	0.1UF ZF 1608 SIZE	HCUS1E104ZF
DSP	C193		nsp	00MOA22605020	ELECT CAP.	22UF 25V	HCEA1EH220T
DSP	C194		nsp	00MDK96104300	CER. CAP.	0.1UF ZF 1608 SIZE	HCUS1E104ZF
DSP	C195		nsp	00MOA22605020	ELECT CAP.	22UF 25V	HCEA1EH220T
DSP	C196		nsp	00MDD95101300	CER. CAP.		HCUS1H101JA
DSP	C197		nsp	00MDK96104300	CER. CAP.	0.1UF ZF 1608 SIZE	HCUS1E104ZF
DSP	C198		nsp	00MOA10505020	ELECT CAP.	1UF 50V	HCEA1HH1ROT
DSP	C199		nsp	00MDK96104300	CER. CAP.	0.1UF ZF 1608 SIZE	HCUS1E104ZF
DSP	C200		nsp	00MOA47601640	ELECT CAP.	47UF 16V	HCEA1CH470T
DSP	C201		nsp	00MDK96104300	CER. CAP.	0.1UF ZF 1608 SIZE	HCUS1E104ZF
DSP	C202		nsp	00MOA10701620	ELECT CAP.	100UF 16V	HCEA1CH101T
DSP	C203		nsp	00MDK96104300	CER. CAP.	0.1UF ZF 1608 SIZE	HCUS1E104ZF
DSP	C204		nsp	00MOA22605020	ELECT CAP.	22UF 25V	HCEA1EH220T
DSP	C205		nsp	00MDK96332300	CER. CAP.	1608 SIZE	HCUS1H332KC
DSP	C206		nsp	00MDD95471300	CER. CAP.		HCUS1H471JA
DSP	C207		nsp	00MDK96332300	CER. CAP.	1608 SIZE	HCUS1H332KC
DSP	C208		nsp	00MDD95471300	CER. CAP.		HCUS1H471JA
DSP	C209		nsp	00MDK96104300	CER. CAP.	0.1UF ZF 1608 SIZE	HCUS1E104ZF
DSP	C210		nsp	90M-OA000230R	ELECT CAP.	ELNA, ROA TYPE	HCEA1EROA220T
DSP	C211		nsp	00MDK96102300	CER. CAP.		HCUS1H102KC
DSP	C212		nsp	00MDK96332300	CER. CAP.	1608 SIZE	HCUS1H332KC
DSP	C213		nsp	00MDD95471300	CER. CAP.		HCUS1H471JA
DSP	C214		nsp	00MDK96332300	CER. CAP.	1608 SIZE	HCUS1H332KC
DSP	C215		nsp	00MDD95471300	CER. CAP.		HCUS1H471JA
DSP	C216		nsp	00MDK96104300	CER. CAP.	0.1UF ZF 1608 SIZE	HCUS1E104ZF
DSP	C217		nsp	90M-OA000230R	ELECT CAP.	ELNA, ROA TYPE	HCEA1EROA220T
DSP	C218		nsp	00MDK96102300	CER. CAP.		HCUS1H102KC
DSP	C219		nsp	00MDK96332300	CER. CAP.	1608 SIZE	HCUS1H332KC
DSP	C220		nsp	00MDD95471300	CER. CAP.		HCUS1H471JA
DSP	C221		nsp	00MDK96332300	CER. CAP.	1608 SIZE	HCUS1H332KC
DSP	C222		nsp	00MDD95471300	CER. CAP.		HCUS1H471JA
DSP	C223		nsp	00MDK96104300	CER. CAP.	0.1UF ZF 1608 SIZE	HCUS1E104ZF
DSP	C224		nsp	90M-OA000230R	ELECT CAP.	ELNA, ROA TYPE	HCEA1EROA220T
DSP	C225		nsp	00MDK96102300	CER. CAP.		HCUS1H102KC
DSP	C226		nsp	00MDK96332300	CER. CAP.	1608 SIZE	HCUS1H332KC
DSP	C227		nsp	00MDD95471300	CER. CAP.		HCUS1H471JA
DSP	C228		nsp	00MDK96332300	CER. CAP.	1608 SIZE	HCUS1H332KC
DSP	C229		nsp	00MDD95471300	CER. CAP.		HCUS1H471JA
DSP	C230		nsp	00MDK96104300	CER. CAP.	0.1UF ZF 1608 SIZE	HCUS1E104ZF
DSP	C231		nsp	90M-OA000230R	ELECT CAP.	ELNA, ROA TYPE	HCEA1EROA220T
DSP	C232		nsp	00MDK96102300	CER. CAP.		HCUS1H102KC
DSP	C233		nsp	00MDK96332300	CER. CAP.	1608 SIZE	HCUS1H332KC
DSP	C234		nsp	00MDD95471300	CER. CAP.		HCUS1H471JA
DSP	C235		nsp	00MDK96332300	CER. CAP.	1608 SIZE	HCUS1H332KC
DSP	C236		nsp	00MDD95471300	CER. CAP.		HCUS1H471JA
DSP	C237		nsp	00MDK96104300	CER. CAP.	0.1UF ZF 1608 SIZE	HCUS1E104ZF
DSP	C238		nsp	90M-OA000230R	ELECT CAP.	ELNA, ROA TYPE	HCEA1EROA220T

NOTE : "nsp" PART IS LISTED FOR REFERENCE ONLY, MARANTZ WILL NOT SUPPLY THESE PARTS.

P.C.B. NAME	POS. NO.	VERS. COLOR	PART NO. (FOR EUR)	PART NO. (MJI)	PART NAME	DESCRIPTION
DSP	C239		nsp	00MDK96102300	CER. CAP.	HCUS1H102KC
DSP	C241		nsp	00MDK96332300	CER. CAP.	1608 SIZE HCUS1H332KC
DSP	C242		nsp	00MDD95471300	CER. CAP.	HCUS1H471JA
DSP	C243		nsp	00MDK96332300	CER. CAP.	1608 SIZE HCUS1H332KC
DSP	C244		nsp	00MDD95471300	CER. CAP.	HCUS1H471JA
DSP	C245		nsp	00MDK96104300	CER. CAP.	0.1UF ZF 1608 SIZE HCUS1E104ZF
DSP	C246		nsp	90M-OA000230R	ELECT CAP.	ELNA, ROA TYPE HCEA1EROA220T
DSP	C247		nsp	00MDK96102300	CER. CAP.	HCUS1H102KC
DSP	C248		nsp	00MDK96332300	CER. CAP.	1608 SIZE HCUS1H332KC
DSP	C249		nsp	00MDD95471300	CER. CAP.	HCUS1H471JA
DSP	C250		nsp	00MDK96332300	CER. CAP.	1608 SIZE HCUS1H332KC
DSP	C251		nsp	00MDD95471300	CER. CAP.	HCUS1H471JA
DSP	C252		nsp	00MDK96104300	CER. CAP.	0.1UF ZF 1608 SIZE HCUS1E104ZF
DSP	C253		nsp	90M-OA000230R	ELECT CAP.	ELNA, ROA TYPE HCEA1EROA220T
DSP	C254		nsp	00MDK96102300	CER. CAP.	HCUS1H102KC
DSP	C255		nsp	00MDK96103300	CER. CAP.	HCUS1H103KC
DSP	C256		nsp	00MDK96103300	CER. CAP.	HCUS1H103KC
DSP	C257		nsp	00MDD95330300	CER. CAP.	HCUS1H330JA
DSP	C258		nsp	00MDK96103300	CER. CAP.	HCUS1H103KC
DSP	C259		nsp	00MDK96103300	CER. CAP.	HCUS1H103KC
DSP	C260		nsp	00MDK96103300	CER. CAP.	HCUS1H103KC
DSP	C261		nsp	00MDK96103300	CER. CAP.	HCUS1H103KC
DSP	C262		nsp	00MDK96103300	CER. CAP.	HCUS1H103KC
DSP	C264		nsp	00MDK96104300	CER. CAP.	0.1UF ZF 1608 SIZE HCUS1E104ZF
DSP	C265		nsp	00MOA47601640	ELECT CAP.	47UF 16V HCEA1CH470T
DSP	C266		nsp	00MDK96104300	CER. CAP.	0.1UF ZF 1608 SIZE HCUS1E104ZF
DSP	C267		nsp	00MOA47601640	ELECT CAP.	47UF 16V HCEA1CH470T
DSP	C268		nsp	00MDK96332300	CER. CAP.	1608 SIZE HCUS1H332KC
DSP	C269		nsp	00MDD95471300	CER. CAP.	HCUS1H471JA
DSP	C270		nsp	00MDK96332300	CER. CAP.	1608 SIZE HCUS1H332KC
DSP	C271		nsp	00MDD95471300	CER. CAP.	HCUS1H471JA
DSP	C272		nsp	00MDK96104300	CER. CAP.	0.1UF ZF 1608 SIZE HCUS1E104ZF
DSP	C273		nsp	90M-OA000230R	ELECT CAP.	ELNA, ROA TYPE HCEA1EROA220T
DSP	C274		nsp	00MDK96102300	CER. CAP.	HCUS1H102KC
DSP	C282		nsp	00MDK96104300	CER. CAP.	0.1UF ZF 1608 SIZE HCUS1E104ZF
DSP	C283		nsp	00MDK96104300	CER. CAP.	0.1UF ZF 1608 SIZE HCUS1E104ZF
DSP	C284		nsp	00MDK96104300	CER. CAP.	0.1UF ZF 1608 SIZE HCUS1E104ZF
DSP	C285		nsp	00MDK96104300	CER. CAP.	0.1UF ZF 1608 SIZE HCUS1E104ZF
DSP	C286		nsp	00MDK96104300	CER. CAP.	0.1UF ZF 1608 SIZE HCUS1E104ZF
DSP	C287		nsp	00MDK96104300	CER. CAP.	0.1UF ZF 1608 SIZE HCUS1E104ZF
DSP	C289		nsp	00MDK96104300	CER. CAP.	0.1UF ZF 1608 SIZE HCUS1E104ZF
DSP	C290		nsp	00MDK96104300	CER. CAP.	0.1UF ZF 1608 SIZE HCUS1E104ZF
DSP	C291		nsp	00MDK96104300	CER. CAP.	0.1UF ZF 1608 SIZE HCUS1E104ZF
DSP	C292		nsp	00MDK96104300	CER. CAP.	0.1UF ZF 1608 SIZE HCUS1E104ZF
DSP	C293		nsp	00MDK96104300	CER. CAP.	0.1UF ZF 1608 SIZE HCUS1E104ZF
DSP	C294		nsp	00MOA47601640	ELECT CAP.	47UF 16V HCEA1CH470T
DSP	C295		nsp	00MDK96103300	CER. CAP.	HCUS1H103KC
DSP	C296		nsp	00MOA47601640	ELECT CAP.	47UF 16V HCEA1CH470T
DSP	C297		nsp	00MDK96103300	CER. CAP.	HCUS1H103KC
DSP	C298		nsp	00MDK96104300	CER. CAP.	0.1UF ZF 1608 SIZE HCUS1E104ZF
DSP	C299		nsp	00MOA47601640	ELECT CAP.	47UF 16V HCEA1CH470T
DSP	C300		nsp	00MDK96104300	CER. CAP.	0.1UF ZF 1608 SIZE HCUS1E104ZF
DSP	C301		nsp	00MOA47601640	ELECT CAP.	47UF 16V HCEA1CH470T
DSP	C302		nsp	00MOA47601640	ELECT CAP.	47UF 16V HCEA1CH470T
DSP	C303		nsp	00MOA47601640	ELECT CAP.	47UF 16V HCEA1CH470T
DSP	C304		nsp	00MDK96104300	CER. CAP.	0.1UF ZF 1608 SIZE HCUS1E104ZF
DSP	C305		nsp	00MDK96104300	CER. CAP.	0.1UF ZF 1608 SIZE HCUS1E104ZF
DSP	C306		nsp	00MDD95330300	CER. CAP.	HCUS1H330JA
DSP	C320		nsp	00MDK96104300	CER. CAP.	0.1UF ZF 1608 SIZE HCUS1E104ZF
DSP	CC13		nsp	00MDK96104300	CER. CAP.	0.1UF ZF 1608 SIZE HCUS1E104ZF
DSP	CC14		nsp	00MDD95180300	CER. CAP.	HCUS1H180JA
DSP	CC15		nsp	00MDK96104300	CER. CAP.	0.1UF ZF 1608 SIZE HCUS1E104ZF
DSP	CC19		nsp	00MDK98474200	CER. CAP.	HCUS1C474ZF
DSP	CC22		nsp	00MDK96104300	CER. CAP.	0.1UF ZF 1608 SIZE HCUS1E104ZF
DSP	CC23		nsp	00MDD95220300	CER. CAP.	HCUS1H220JA
DSP	CC24		nsp	00MDD95220300	CER. CAP.	HCUS1H220JA

NOTE : "nsp" PART IS LISTED FOR REFERENCE ONLY, MARANTZ WILL NOT SUPPLY THESE PARTS.



P.C.B. NAME	POS. NO.	VERS. COLOR	PART NO. (FOR EUR)	PART NO. (MJI)	PART NAME	DESCRIPTION
DSP	CC28		nsp	00MDK96104300	CER. CAP.	0.1UF ZF 1608 SIZE HCUS1E104ZF
DSP	CC29		nsp	00MDK96104300	CER. CAP.	0.1UF ZF 1608 SIZE HCUS1E104ZF
DSP	CC30		nsp	00MOA10701620	ELECT CAP.	100UF 16V HCEA1CH101T
DSP	CC31		nsp	00MDK96104300	CER. CAP.	0.1UF ZF 1608 SIZE HCUS1E104ZF
DSP	CC32		nsp	00MDK96104300	CER. CAP.	0.1UF ZF 1608 SIZE HCUS1E104ZF
DSP	CC33		nsp	00MOA10701620	ELECT CAP.	100UF 16V HCEA1CH101T
DSP	CC34		nsp	00MOA22801620	ELECT CAP.	2200UF 16V HCEA1CH222E
DSP	CC35		nsp	00MOA22801620	ELECT CAP.	2200UF 16V HCEA1CH222E
DSP	CC36		nsp	00MOA22701620	ELECT CAP.	HCEA1CH221T
DSP	CC37		nsp	00MDK96104300	CER. CAP.	0.1UF ZF 1608 SIZE HCUS1E104ZF
DSP	CC38		nsp	00MOA10701620	ELECT CAP.	100UF 16V HCEA1CH101T
DSP	CC39		nsp	00MDK96104300	CER. CAP.	0.1UF ZF 1608 SIZE HCUS1E104ZF
DSP	CC40		nsp	00MOA10702520	ELECT CAP.	100UF 25V HCEA1EH101T
DSP	CC41		nsp	00MDK96104300	CER. CAP.	0.1UF ZF 1608 SIZE HCUS1E104ZF
DSP	CC42		nsp	00MOA10702520	ELECT CAP.	100UF 25V HCEA1EH101T
DSP	CC43		nsp	00MDK96104300	CER. CAP.	0.1UF ZF 1608 SIZE HCUS1E104ZF
DSP	CC44		nsp	00MDK96104300	CER. CAP.	0.1UF ZF 1608 SIZE HCUS1E104ZF
DSP	CC45		nsp	00MDK96104300	CER. CAP.	0.1UF ZF 1608 SIZE HCUS1E104ZF
DSP	CC46		nsp	00MOA22605020	ELECT CAP.	22UF 25V HCEA1EH220T
DSP	CC47		nsp	00MOA22605020	ELECT CAP.	22UF 25V HCEA1EH220T
DSP	CC48		nsp	00MDK96104300	CER. CAP.	0.1UF ZF 1608 SIZE HCUS1E104ZF
DSP	CC49		nsp	00MOA10701620	ELECT CAP.	100UF 16V HCEA1CH101T
DSP	CC50		nsp	00MDK96104300	CER. CAP.	0.1UF ZF 1608 SIZE HCUS1E104ZF
DSP	CC52		nsp	00MDK96104300	CER. CAP.	0.1UF ZF 1608 SIZE HCUS1E104ZF
DSP	CC53		nsp	00MOA22605020	ELECT CAP.	22UF 25V HCEA1EH220T
DSP	CC54		nsp	00MDK96104300	CER. CAP.	0.1UF ZF 1608 SIZE HCUS1E104ZF
DSP	CC56		nsp	00MDK96104300	CER. CAP.	0.1UF ZF 1608 SIZE HCUS1E104ZF
DSP	CC57		nsp	00MOA22605020	ELECT CAP.	22UF 25V HCEA1EH220T
DSP	CC58		nsp	00MOA22605020	ELECT CAP.	22UF 25V HCEA1EH220T
DSP	CC59		nsp	00MDK96104300	CER. CAP.	0.1UF ZF 1608 SIZE HCUS1E104ZF
DSP	CN16		nsp	nsp	JACK	CJP19GA117ZY
DSP	CN17		nsp	nsp	JACK	CJP15GA117ZY
DSP	CN19		nsp	nsp	JACK	STRAIGHT, 3PIN CJP03GA19ZY
DSP	CN28		nsp	nsp	JACK	GF120-17S-TS KJP17GA115ZG
DSP	CN30		nsp	nsp	JACK	STRAIGHT, 6PIN CJP12GA19ZY
DSP	CN34	/A1B	nsp	nsp	JACK	GF120-17S-TS KJP17GA115ZG
DSP	CN34	/A1S	nsp	nsp	JACK	GF120-17S-TS KJP17GA115ZG
DSP	CN34	/F1N	nsp	nsp	JACK	GF120-15S-TS KJP15GA115ZG
DSP	CN34	/L1G	nsp	nsp	JACK	GF120-15S-TS KJP15GA115ZG
DSP	CN34	/N1B	nsp	nsp	JACK	GF120-17S-TS KJP17GA115ZG
DSP	CN34	/N1G	nsp	nsp	JACK	GF120-17S-TS KJP17GA115ZG
DSP	CN34	/N1S	nsp	nsp	JACK	GF120-17S-TS KJP17GA115ZG
DSP	CN34	/U1B	nsp	nsp	JACK	GF120-15S-TS KJP15GA115ZG
DSP	CN36		nsp	nsp	JACK	CJP11GA117ZY
DSP	CN38		nsp	nsp	JACK	CJP15GA117ZY
DSP	CN40		nsp	nsp	JACK	STRAIGHT, 6PIN CJP06GA19ZY
DSP	CN42		nsp	nsp	JACK	CJP11GA117ZY
DSP	CN46		nsp	nsp	JACK	00906-0027 CJP04GA19ZY
DSP	CN53		nsp	nsp	JACK	CJP02GA19ZY CJP02GA19ZY
DSP	CN85		nsp	nsp	JACK	CJP02GA19ZY CJP02GA19ZY
DSP	CN98		nsp	nsp	JACK	STRAIGHT, 6PIN CJP06GA19ZY
DSP	CN99		nsp	nsp	JACK	CJP25GA117ZY
DSP	DC10	/A1B	nsp	90M-HD201800R	DIODE	HVD1SS355T
DSP	DC10	/A1S	nsp	90M-HD201800R	DIODE	HVD1SS355T
DSP	DC10	/N1B	nsp	90M-HD201800R	DIODE	HVD1SS355T
DSP	DC10	/N1G	nsp	90M-HD201800R	DIODE	HVD1SS355T
DSP	DC10	/N1S	nsp	90M-HD201800R	DIODE	HVD1SS355T
DSP	DC11		nsp	90M-HD201800R	DIODE	HVD1SS355T
DSP	DC12	/F1N	nsp	90M-HD201800R	DIODE	HVD1SS355T
DSP	DC12	/L1G	nsp	90M-HD201800R	DIODE	HVD1SS355T
DSP	DC12	/U1B	nsp	90M-HD201800R	DIODE	HVD1SS355T
DSP	DC13		nsp	90M-HD201800R	DIODE	HVD1SS355T
DSP	DC14		nsp	90M-HD201800R	DIODE	HVD1SS355T
DSP	DC15		90M-HI200020R	90M-HI200020R	L.E.D.	SIR-34ST3F BVDSIR34ST3F
DSP	DC16		nsp	90M-HD201800R	DIODE	HVD1SS355T
DSP	DC19		nsp	90M-HD201800R	DIODE	HVD1SS355T

NOTE : "nsp" PART IS LISTED FOR REFERENCE ONLY, MARANTZ WILL NOT SUPPLY THESE PARTS.

P.C.B. NAME	POS. NO.	VERS. COLOR	PART NO. (FOR EUR)	PART NO. (MJI)	PART NAME	DESCRIPTION
DSP	DC20		nsp	90M-HD201800R	DIODE	HVD1SS355T
DSP	DC22		90M-HI200020R	90M-HI200020R	L.E.D.	SIR-34ST3F BVDSIR34ST3F
DSP	DC23		nsp	90M-HD201800R	DIODE	HVD1SS355T
DSP	ET01		nsp	nsp	TERMINAL	CNE75
DSP	ET02		nsp	nsp	TERMINAL	CNE75
DSP	ET03		nsp	nsp	BRACKET	CMD1A512
DSP	ET04		nsp	nsp	BRACKET	CMD1A512
DSP	IC11		00MHC700400Z0	00MHC700400Z0	IC	TC74HCU04AFN HVITC74HCU04AFN
DSP	IC12		00MHC700400Z0	00MHC700400Z0	IC	TC74HCU04AFN HVITC74HCU04AFN
DSP	IC13		00MHC10418030	00MHC10418030	IC	LC89057W-VF4-E HVILC89057WVF4E
DSP	IC14		00MHC10172090	00MHC10172090	IC	HVINJM2115MDTE1
DSP	IC15		00MHC10172090	00MHC10172090	IC	HVINJM2115MDTE1
DSP	IC16		00MHC10015880	00MHC10015880	IC	CS5361-KS HVICS5361-KS
DSP	IC17		90M-HC108910R	90M-HC108910R	IC	74VHC08 HV174VHC08TTR
DSP	IC18		90M-HC108430R	90M-HC108430R	IC	TC74HC7007AFEL HVITC74HCT7007F
DSP	IC19		00MHC10014880	00MHC10014880	IC	CS49400-CQ HVICS49400-CQ
DSP	IC20		90M-HS10BWX0R	90M-HS10BWX0R	ONE TIME PROM	M29W800DT-70N HVIM29W800DT70N
DSP	IC21		90M-HC108910R	90M-HC108910R	IC	74VHC08 HV174VHC08TTR
DSP	IC22		90M-HC108930R	90M-HC108930R	IC	74LCX32 HV174LCX32TTR
DSP	IC23		00MHC10012880	00MHC10012880	IC	CS4382-KQ HVICS4382-KQ
DSP	IC24		00MHC10102090	00MHC10102090	IC	NJM2068MD-TE1 HVINJM2068MDTE1
DSP	IC25		00MHC10102090	00MHC10102090	IC	NJM2068MD-TE1 HVINJM2068MDTE1
DSP	IC26		00MHC10102090	00MHC10102090	IC	NJM2068MD-TE1 HVINJM2068MDTE1
DSP	IC27		00MHC10102090	00MHC10102090	IC	NJM2068MD-TE1 HVINJM2068MDTE1
DSP	IC28		90M-HC108970R	90M-HC108970R	IC	HY57V161610ET-7 HV157V161610ET7
DSP	IC29		00MHC10099540	00MHC10099540	IC	S-80145ALMC HVIS-80145ALMC
DSP	IC30		90M-HC108390R	90M-HC108390R	IC	AT24C08N10SC2.7 HVIAT24C08N10SC
DSP	IC31		00MHC36J3305Y	00MHC36J3305Y	IC REG	TA48033FTE16 HVITA48033FTE16
DSP	IC32		00MHC36J25050	00MHC36J25050	IC REG	TA48025FTE16 HVITA48025FTE16
DSP	IC33		90M-HW100710R	90M-HW100710R	PHOTO UNIT	PC-17L1CB HVIPC17L1CB
DSP	IC34		90M-HW100690R	90M-HW100690R	PHOTO UNIT	RPM674CBR-S BRVRPM6936
DSP	IC35		90M-HC108440R	90M-HC108440R	IC	ST202EBW HVIST202EBW
DSP	IC36		90M-HS10BWX2R	90M-HS10BWX2R	ONE TIME PROM	HVIHD64F2505
DSP	IC37		90M-HW100690R	90M-HW100690R	PHOTO UNIT	RPM674CBR-S BRVRPM6936
DSP	IC38		90M-HC109290R	90M-HC109290R	IC	2-CHANNEL MUX HVITC74VHC157FT
DSP	IC39		90M-HC109290R	90M-HC109290R	IC	2-CHANNEL MUX HVITC74VHC157FT
DSP	IC40		90M-HC900090R	90M-HC900090R	IC REG	KAI7812AF-RTF HVIKIA7812AF
DSP	J101		nsp	nsp	CONN. CORD	SN95/PB5 , 0.6 C3A206
DSP	J102		nsp	nsp	CONN. CORD	SN95/PB5 , 0.6 C3A206
DSP	J103		nsp	nsp	CONN. CORD	SN95/PB5 , 0.6 C3A206
DSP	J104		nsp	nsp	CONN. CORD	SN95/PB5 , 0.6 C3A206
DSP	J105		nsp	nsp	CONN. CORD	SN95/PB5 , 0.6 C3A206
DSP	J106		nsp	nsp	CONN. CORD	SN95/PB5 , 0.6 C3A206
DSP	J107		nsp	nsp	CONN. CORD	SN95/PB5 , 0.6 C3A206
DSP	J108		nsp	nsp	CONN. CORD	SN95/PB5 , 0.6 C3A206
DSP	JD01		nsp	nsp	CORD	CWZSR7500JD01
DSP	JK11		90M-YT004390R	90M-YT004390R	TERMINAL	YKC22-0774N HJS9U004Z
DSP	JK12		90M-YT004390R	90M-YT004390R	TERMINAL	YKC22-0774N HJS9U004Z
DSP	JK13		90M-YT004390R	90M-YT004390R	TERMINAL	YKC22-0774N HJS9U004Z
DSP	JK14		90M-YT004380R	90M-YT004380R	TERMINAL	YKC22-0748N HJS9U003Z
DSP	JK15		90M-YT003300R	90M-YT003300R	TERMINAL	KJP09TA87WWM
DSP	JK16		90M-YT003120R	90M-YT003120R	TERMINAL	CJJ4N036Z
DSP	JK17		90M-YT003650R	90M-YT003650R	TERMINAL	SILVER PLATE CJJ4N071Z
DSP	JK18		90M-YJ002760R	90M-YJ002760R	JACK	HJJ1D002Z
DSP	JK19		90M-YJ002760R	90M-YJ002760R	JACK	HJJ1D002Z
DSP	L101		00MFC90020120	00MFC90020120	FERRITE CORE	BK 1608 HM 102T HLZ92003Z
DSP	LC01		nsp	00MNN05000610	CHIP RES.	0 OHM/1608/5% CRJ10DJ0R0T
DSP	LC02		nsp	00MNN05000610	CHIP RES.	0 OHM/1608/5% CRJ10DJ0R0T
DSP	LC03		nsp	00MNN05000610	CHIP RES.	0 OHM/1608/5% CRJ10DJ0R0T
DSP	LC04		nsp	00MNN05000610	CHIP RES.	0 OHM/1608/5% CRJ10DJ0R0T
DSP	LC05		nsp	00MNN05000610	CHIP RES.	0 OHM/1608/5% CRJ10DJ0R0T
DSP	LC06		nsp	00MNN05000610	CHIP RES.	0 OHM/1608/5% CRJ10DJ0R0T
DSP	LC07		nsp	00MNN05000610	CHIP RES.	0 OHM/1608/5% CRJ10DJ0R0T
DSP	LC08		nsp	00MNN05000610	CHIP RES.	0 OHM/1608/5% CRJ10DJ0R0T
DSP	LC09		nsp	00MNN05000610	CHIP RES.	0 OHM/1608/5% CRJ10DJ0R0T
DSP	LC10		nsp	00MNN05000610	CHIP RES.	0 OHM/1608/5% CRJ10DJ0R0T

NOTE : "nsp" PART IS LISTED FOR REFERENCE ONLY, MARANTZ WILL NOT SUPPLY THESE PARTS.

P.C.B. NAME	POS. NO.	VERS. COLOR	PART NO. (FOR EUR)	PART NO. (MJI)	PART NAME	DESCRIPTION
DSP	LC11		nsp	00MNN05000610	CHIP RES.	0 OHM/1608/5% CRJ10DJ0R0T
DSP	LD01	/A1B	nsp	00MNN05000610	CHIP RES.	0 OHM/1608/5% CRJ10DJ0R0T
DSP	LD01	/A1S	nsp	00MNN05000610	CHIP RES.	0 OHM/1608/5% CRJ10DJ0R0T
DSP	LD01	/N1B	nsp	00MNN05000610	CHIP RES.	0 OHM/1608/5% CRJ10DJ0R0T
DSP	LD01	/N1G	nsp	00MNN05000610	CHIP RES.	0 OHM/1608/5% CRJ10DJ0R0T
DSP	LD01	/N1S	nsp	00MNN05000610	CHIP RES.	0 OHM/1608/5% CRJ10DJ0R0T
DSP	LD02	/U1B	nsp	00MNN05000610	CHIP RES.	0 OHM/1608/5% CRJ10DJ0R0T
DSP	LD05	/F1N	nsp	00MNN05000610	CHIP RES.	0 OHM/1608/5% CRJ10DJ0R0T
DSP	LD05	/L1G	nsp	00MNN05000610	CHIP RES.	0 OHM/1608/5% CRJ10DJ0R0T
DSP	LD09		nsp	00MNN05000610	CHIP RES.	0 OHM/1608/5% CRJ10DJ0R0T
DSP	Q100		90M-HX800010R	90M-HX800010R	CHIP TRS.	KRC102S
DSP	Q101		90M-HX900010R	90M-HX900010R	CHIP TRS.	KTD1304
DSP	Q102		90M-HX900010R	90M-HX900010R	CHIP TRS.	KTD1304
DSP	Q103		90M-HX600010R	90M-HX600010R	CHIP TRS.	KRA102S
DSP	Q105		90M-HX600010R	90M-HX600010R	CHIP TRS.	KRA102S
DSP	Q106		00MHT30001000	00MHT30001000	TRS.	HVTKTC3199YT
DSP	Q107		90M-HX600010R	90M-HX600010R	CHIP TRS.	KRA102S
DSP	Q108		90M-HX600010R	90M-HX600010R	CHIP TRS.	KRA102S
DSP	Q109		90M-HT600020R	90M-HT600020R	TRS.	KTA1268GR
DSP	Q110		90M-HX800010R	90M-HX800010R	CHIP TRS.	KRC102S
DSP	Q111		90M-HX600010R	90M-HX600010R	CHIP TRS.	KRA102S
DSP	Q112		90M-HX600010R	90M-HX600010R	CHIP TRS.	KRA102S
DSP	Q121		90M-HX600010R	90M-HX600010R	CHIP TRS.	KRA102S
DSP	Q122		90M-HT600020R	90M-HT600020R	TRS.	KTA1268GR
DSP	Q123		90M-HX800010R	90M-HX800010R	CHIP TRS.	KRC102S
DSP	Q124		90M-HX600010R	90M-HX600010R	CHIP TRS.	KRA102S
DSP	Q125		90M-HX600010R	90M-HX600010R	CHIP TRS.	KRA102S
DSP	Q126		90M-HX800010R	90M-HX800010R	CHIP TRS.	KRC102S
DSP	Q127		90M-HX800010R	90M-HX800010R	CHIP TRS.	KRC102S
DSP	QC10		90M-HX600010R	90M-HX600010R	CHIP TRS.	KRA102S
DSP	QC11		90M-HX800010R	90M-HX800010R	CHIP TRS.	KRC102S
DSP	QC12		90M-HX600010R	90M-HX600010R	CHIP TRS.	KRA102S
DSP	R100		nsp	00MNN05100610	CHIP RES.	10 OHM/1608/5% CRJ10DJ100T
DSP	R102		nsp	00MNN05100610	CHIP RES.	10 OHM/1608/5% CRJ10DJ100T
DSP	R103		nsp	00MNN05750610	CHIP RES.	75 OHM/1608/5% CRJ10DJ750T
DSP	R104		nsp	00MNN05101610	CHIP RES.	100 OHM/1608/5% CRJ10DJ101T
DSP	R105		nsp	00MNN05750610	CHIP RES.	75 OHM/1608/5% CRJ10DJ750T
DSP	R106		nsp	00MNN05100610	CHIP RES.	10 OHM/1608/5% CRJ10DJ100T
DSP	R107		nsp	00MNN05100610	CHIP RES.	10 OHM/1608/5% CRJ10DJ100T
DSP	R108		nsp	00MNN05100610	CHIP RES.	10 OHM/1608/5% CRJ10DJ100T
DSP	R109		nsp	00MNN05104610	CHIP RES.	100KOHM/1608/5% CRJ10DJ104T
DSP	R110		nsp	00MNN05472610	CHIP RES.	4.7KOHM/1608/5% CRJ10DJ472T
DSP	R111		nsp	00MNN05750610	CHIP RES.	75 OHM/1608/5% CRJ10DJ750T
DSP	R112		nsp	00MNN05102610	CHIP RES.	1KOHM/1608/5% CRJ10DJ102T
DSP	R113		nsp	00MNN05104610	CHIP RES.	100KOHM/1608/5% CRJ10DJ104T
DSP	R114		nsp	00MNN05472610	CHIP RES.	4.7KOHM/1608/5% CRJ10DJ472T
DSP	R115		nsp	00MNN05750610	CHIP RES.	75 OHM/1608/5% CRJ10DJ750T
DSP	R116		nsp	00MNN05100610	CHIP RES.	10 OHM/1608/5% CRJ10DJ100T
DSP	R117		nsp	00MNN05104610	CHIP RES.	100KOHM/1608/5% CRJ10DJ104T
DSP	R118		nsp	00MNN05472610	CHIP RES.	4.7KOHM/1608/5% CRJ10DJ472T
DSP	R119		nsp	00MNN05102610	CHIP RES.	1KOHM/1608/5% CRJ10DJ102T
DSP	R120		nsp	00MNN05750610	CHIP RES.	75 OHM/1608/5% CRJ10DJ750T
DSP	R121		nsp	00MNN05100610	CHIP RES.	10 OHM/1608/5% CRJ10DJ100T
DSP	R122		nsp	00MNN05102610	CHIP RES.	1KOHM/1608/5% CRJ10DJ102T
DSP	R123		nsp	00MNN05104610	CHIP RES.	100KOHM/1608/5% CRJ10DJ104T
DSP	R124		nsp	00MNN05472610	CHIP RES.	4.7KOHM/1608/5% CRJ10DJ472T
DSP	R125		nsp	00MNN05102610	RES.	(1/10W) , 1K OHM J
DSP	R126		nsp	00MNN05102610	RES.	(1/10W) , 1K OHM J
DSP	R127		nsp	00MNN05104610	CHIP RES.	100KOHM/1608/5% CRJ10DJ104T
DSP	R128		nsp	00MNN05472610	CHIP RES.	4.7KOHM/1608/5% CRJ10DJ472T
DSP	R129		nsp	00MNN05330610	CHIP RES.	33 OHM/1608/5% CRJ10DJ330T
DSP	R131		nsp	00MNN05221610	CHIP RES.	220 OHM/1608/5% CRJ10DJ221T
DSP	R132		nsp	00MNN05101610	CHIP RES.	100 OHM/1608/5% CRJ10DJ101T
DSP	R133		nsp	00MNN05101610	CHIP RES.	100 OHM/1608/5% CRJ10DJ101T
DSP	R134		nsp	00MNN05101610	CHIP RES.	100 OHM/1608/5% CRJ10DJ101T
DSP	R135		nsp	00MNN05101610	CHIP RES.	100 OHM/1608/5% CRJ10DJ101T

NOTE : \*nsp\* PART IS LISTED FOR REFERENCE ONLY, MARANTZ WILL NOT SUPPLY THESE PARTS.

P.C.B. NAME	POS. NO.	VERS. COLOR	PART NO. (FOR EUR)	PART NO. (MJI)	PART NAME	DESCRIPTION
DSP	R136		nsp	00MNN05101610	CHIP RES.	100 OHM/1608/5% CRJ10DJ101T
DSP	R137		nsp	00MNN05101610	CHIP RES.	100 OHM/1608/5% CRJ10DJ101T
DSP	R138		nsp	00MNN05101610	CHIP RES.	100 OHM/1608/5% CRJ10DJ101T
DSP	R139		nsp	00MNN05010610	CHIP RES.	10OHM/1608/5% CRJ10DJ1R0T
DSP	R140		nsp	00MNN05105610	CHIP RES.	1MOHM/1608/5% CRJ10DJ105T
DSP	R141		nsp	00MNN05103610	CHIP RES.	10KOHM/1608/5% CRJ10DJ103T
DSP	R142		nsp	00MNN05103610	CHIP RES.	10KOHM/1608/5% CRJ10DJ103T
DSP	R143		nsp	00MNN05103610	CHIP RES.	10KOHM/1608/5% CRJ10DJ103T
DSP	R144		nsp	00MNN05103610	CHIP RES.	10KOHM/1608/5% CRJ10DJ103T
DSP	R145		nsp	00MNN05332610	CHIP RES.	3.3KOHM/1608/5% CRJ10DJ332T
DSP	R146		nsp	00MNN05223610	CHIP RES.	22KOHM/1608/5% CRJ10DJ223T
DSP	R147		nsp	00MNN05473610	CHIP RES.	47KOHM/1608/5% CRJ10DJ473T
DSP	R148		nsp	00MNN05682610	CHIP RES.	6.8KOHM/1608/5% CRJ10DJ682T
DSP	R149		nsp	00MNN05104610	CHIP RES.	100KOHM/1608/5% CRJ10DJ104T
DSP	R150		nsp	00MNN05272610	CHIP RES.	2.7KOHM/1608/5% CRJ10DJ272T
DSP	R151		nsp	00MNN05472610	CHIP RES.	4.7KOHM/1608/5% CRJ10DJ472T
DSP	R152		nsp	00MNN05472610	CHIP RES.	4.7KOHM/1608/5% CRJ10DJ472T
DSP	R153		nsp	00MNN05562610	CHIP RES.	5.6KOHM/1608/5% CRJ10DJ562T
DSP	R154		nsp	00MNN05472610	CHIP RES.	4.7KOHM/1608/5% CRJ10DJ472T
DSP	R155		nsp	00MNN05101610	CHIP RES.	100 OHM/1608/5% CRJ10DJ101T
DSP	R156		nsp	00MNN05101610	CHIP RES.	100 OHM/1608/5% CRJ10DJ101T
DSP	R157		nsp	00MNN05682610	CHIP RES.	6.8KOHM/1608/5% CRJ10DJ682T
DSP	R158		nsp	00MNN05104610	CHIP RES.	100KOHM/1608/5% CRJ10DJ104T
DSP	R159		nsp	00MNN05272610	CHIP RES.	2.7KOHM/1608/5% CRJ10DJ272T
DSP	R160		nsp	00MNN05472610	CHIP RES.	4.7KOHM/1608/5% CRJ10DJ472T
DSP	R161		nsp	00MNN05472610	CHIP RES.	4.7KOHM/1608/5% CRJ10DJ472T
DSP	R162		nsp	00MNN05562610	CHIP RES.	5.6KOHM/1608/5% CRJ10DJ562T
DSP	R163		nsp	00MNN05472610	CHIP RES.	4.7KOHM/1608/5% CRJ10DJ472T
DSP	R164		nsp	00MNN05101610	CHIP RES.	100 OHM/1608/5% CRJ10DJ101T
DSP	R165		nsp	00MNN05101610	CHIP RES.	100 OHM/1608/5% CRJ10DJ101T
DSP	R166		nsp	00MNN05222610	CHIP RES.	2.2KOHM/1608/5% CRJ10DJ222T
DSP	R167		nsp	00MNN05222610	CHIP RES.	2.2KOHM/1608/5% CRJ10DJ222T
DSP	R168		nsp	00MNN05105610	CHIP RES.	1MOHM/1608/5% CRJ10DJ105T
DSP	R169		nsp	00MNN05101610	CHIP RES.	100 OHM/1608/5% CRJ10DJ101T
DSP	R170		nsp	00MNN05562610	CHIP RES.	5.6KOHM/1608/5% CRJ10DJ562T
DSP	R171		nsp	00MNN05103610	CHIP RES.	10KOHM/1608/5% CRJ10DJ103T
DSP	R172		nsp	00MNN05270610	CHIP RES.	27 OHM/1608/5% CRJ10DJ270T
DSP	R173		nsp	00MNN05563610	CHIP RES.	56KOHM/1608/5% CRJ10DJ563T
DSP	R174		nsp	00MNN05330610	CHIP RES.	33 OHM/1608/5% CRJ10DJ330T
DSP	R175		nsp	00MNN05330610	CHIP RES.	33 OHM/1608/5% CRJ10DJ330T
DSP	R176		nsp	00MNN05330610	CHIP RES.	33 OHM/1608/5% CRJ10DJ330T
DSP	R177		nsp	00MNN05330610	CHIP RES.	33 OHM/1608/5% CRJ10DJ330T
DSP	R178		nsp	00MNN05103610	CHIP RES.	10KOHM/1608/5% CRJ10DJ103T
DSP	R179		nsp	00MNN05103610	CHIP RES.	10KOHM/1608/5% CRJ10DJ103T
DSP	R180		nsp	00MNN05103610	CHIP RES.	10KOHM/1608/5% CRJ10DJ103T
DSP	R181		nsp	00MNN05103610	CHIP RES.	10KOHM/1608/5% CRJ10DJ103T
DSP	R182		nsp	00MNN05103610	CHIP RES.	10KOHM/1608/5% CRJ10DJ103T
DSP	R183		nsp	00MNN05103610	CHIP RES.	10KOHM/1608/5% CRJ10DJ103T
DSP	R184		nsp	00MNN05152610	CHIP RES.	1.5KOHM/1608/5% CRJ10DJ152T
DSP	R185		nsp	00MNN05103610	CHIP RES.	10KOHM/1608/5% CRJ10DJ103T
DSP	R186		nsp	00MNN05103610	CHIP RES.	10KOHM/1608/5% CRJ10DJ103T
DSP	R187		nsp	00MNN05103610	CHIP RES.	10KOHM/1608/5% CRJ10DJ103T
DSP	R188		nsp	00MNN05103610	CHIP RES.	10KOHM/1608/5% CRJ10DJ103T
DSP	R189		nsp	00MNN05562610	CHIP RES.	5.6KOHM/1608/5% CRJ10DJ562T
DSP	R190		nsp	00MNN05103610	CHIP RES.	10KOHM/1608/5% CRJ10DJ103T
DSP	R191		nsp	00MNN05103610	CHIP RES.	10KOHM/1608/5% CRJ10DJ103T
DSP	R192		nsp	00MNN05103610	CHIP RES.	10KOHM/1608/5% CRJ10DJ103T
DSP	R193		nsp	00MNN05332610	CHIP RES.	3.3KOHM/1608/5% CRJ10DJ332T
DSP	R194		nsp	00MNN05103610	CHIP RES.	10KOHM/1608/5% CRJ10DJ103T
DSP	R195		nsp	00MNN05562610	CHIP RES.	5.6KOHM/1608/5% CRJ10DJ562T
DSP	R196		nsp	00MNN05332610	CHIP RES.	3.3KOHM/1608/5% CRJ10DJ332T
DSP	R197		nsp	00MNN05332610	CHIP RES.	3.3KOHM/1608/5% CRJ10DJ332T
DSP	R198		nsp	00MNN05332610	CHIP RES.	3.3KOHM/1608/5% CRJ10DJ332T
DSP	R199		nsp	00MNN05103610	CHIP RES.	10KOHM/1608/5% CRJ10DJ103T
DSP	R200		nsp	00MNN05103610	CHIP RES.	10KOHM/1608/5% CRJ10DJ103T
DSP	R201		nsp	00MNN05103610	CHIP RES.	10KOHM/1608/5% CRJ10DJ103T

NOTE : "nsp" PART IS LISTED FOR REFERENCE ONLY, MARANTZ WILL NOT SUPPLY THESE PARTS.

P.C.B. NAME	POS. NO.	VERS. COLOR	PART NO. (FOR EUR)	PART NO. (MJI)	PART NAME	DESCRIPTION
DSP	R202		nsp	00MNN05332610	CHIP RES.	3.3KOHM/1608/5% CRJ10DJ332T
DSP	R203		nsp	00MNN05332610	CHIP RES.	3.3KOHM/1608/5% CRJ10DJ332T
DSP	R204		nsp	00MNN05103610	CHIP RES.	10KOHM/1608/5% CRJ10DJ103T
DSP	R205		nsp	00MNN05103610	CHIP RES.	10KOHM/1608/5% CRJ10DJ103T
DSP	R206		nsp	00MNN05562610	CHIP RES.	5.6KOHM/1608/5% CRJ10DJ562T
DSP	R207		nsp	00MNN05332610	CHIP RES.	3.3KOHM/1608/5% CRJ10DJ332T
DSP	R208		nsp	00MNN05103610	CHIP RES.	10KOHM/1608/5% CRJ10DJ103T
DSP	R209		nsp	00MNN05103610	CHIP RES.	10KOHM/1608/5% CRJ10DJ103T
DSP	R210		nsp	00MNN05103610	CHIP RES.	10KOHM/1608/5% CRJ10DJ103T
DSP	R211		nsp	00MNN05103610	CHIP RES.	10KOHM/1608/5% CRJ10DJ103T
DSP	R212		nsp	00MNN05103610	CHIP RES.	10KOHM/1608/5% CRJ10DJ103T
DSP	R213		nsp	00MNN05103610	CHIP RES.	10KOHM/1608/5% CRJ10DJ103T
DSP	R214		nsp	00MNN05103610	CHIP RES.	10KOHM/1608/5% CRJ10DJ103T
DSP	R215		nsp	00MNN05103610	CHIP RES.	10KOHM/1608/5% CRJ10DJ103T
DSP	R216		nsp	00MNN05103610	CHIP RES.	10KOHM/1608/5% CRJ10DJ103T
DSP	R217		nsp	00MNN05103610	CHIP RES.	10KOHM/1608/5% CRJ10DJ103T
DSP	R218		nsp	00MNN05103610	CHIP RES.	10KOHM/1608/5% CRJ10DJ103T
DSP	R229		nsp	00MNN05330610	CHIP RES.	33 OHM/1608/5% CRJ10DJ330T
DSP	R230		nsp	00MNN05330610	CHIP RES.	33 OHM/1608/5% CRJ10DJ330T
DSP	R231		nsp	00MNN05330610	CHIP RES.	33 OHM/1608/5% CRJ10DJ330T
DSP	R232		nsp	00MNN05330610	CHIP RES.	33 OHM/1608/5% CRJ10DJ330T
DSP	R233		nsp	00MNN05103610	CHIP RES.	10KOHM/1608/5% CRJ10DJ103T
DSP	R234		nsp	00MNN05103610	CHIP RES.	10KOHM/1608/5% CRJ10DJ103T
DSP	R235		nsp	00MNN05103610	CHIP RES.	10KOHM/1608/5% CRJ10DJ103T
DSP	R236		nsp	00MNN05103610	CHIP RES.	10KOHM/1608/5% CRJ10DJ103T
DSP	R237		nsp	00MNN05103610	CHIP RES.	10KOHM/1608/5% CRJ10DJ103T
DSP	R238		nsp	00MNN05103610	CHIP RES.	10KOHM/1608/5% CRJ10DJ103T
DSP	R239		nsp	00MNN05330610	CHIP RES.	33 OHM/1608/5% CRJ10DJ330T
DSP	R240		nsp	00MNN05103610	CHIP RES.	10KOHM/1608/5% CRJ10DJ103T
DSP	R241		nsp	00MNN05330610	CHIP RES.	33 OHM/1608/5% CRJ10DJ330T
DSP	R242		nsp	00MNN05330610	CHIP RES.	33 OHM/1608/5% CRJ10DJ330T
DSP	R243		nsp	00MNN05330610	CHIP RES.	33 OHM/1608/5% CRJ10DJ330T
DSP	R244		nsp	00MNN05223610	CHIP RES.	22KOHM/1608/5% CRJ10DJ223T
DSP	R245		nsp	00MNN05223610	CHIP RES.	22KOHM/1608/5% CRJ10DJ223T
DSP	R246		nsp	00MNN05223610	CHIP RES.	22KOHM/1608/5% CRJ10DJ223T
DSP	R247		nsp	00MNN05332610	CHIP RES.	3.3KOHM/1608/5% CRJ10DJ332T
DSP	R248		nsp	00MNN05332610	CHIP RES.	3.3KOHM/1608/5% CRJ10DJ332T
DSP	R249		nsp	00MNN05682610	CHIP RES.	6.8KOHM/1608/5% CRJ10DJ682T
DSP	R250		nsp	00MNN05152610	CHIP RES.	1.5KOHM/1608/5% CRJ10DJ152T
DSP	R251		nsp	00MNN05682610	CHIP RES.	6.8KOHM/1608/5% CRJ10DJ682T
DSP	R252		nsp	00MNN05152610	CHIP RES.	1.5KOHM/1608/5% CRJ10DJ152T
DSP	R253		nsp	00MNN05101610	CHIP RES.	100 OHM/1608/5% CRJ10DJ101T
DSP	R254		nsp	00MNN05104610	CHIP RES.	100KOHM/1608/5% CRJ10DJ104T
DSP	R255		nsp	00MNN05332610	CHIP RES.	3.3KOHM/1608/5% CRJ10DJ332T
DSP	R256		nsp	00MNN05332610	CHIP RES.	3.3KOHM/1608/5% CRJ10DJ332T
DSP	R257		nsp	00MNN05682610	CHIP RES.	6.8KOHM/1608/5% CRJ10DJ682T
DSP	R258		nsp	00MNN05152610	CHIP RES.	1.5KOHM/1608/5% CRJ10DJ152T
DSP	R259		nsp	00MNN05682610	CHIP RES.	6.8KOHM/1608/5% CRJ10DJ682T
DSP	R260		nsp	00MNN05152610	CHIP RES.	1.5KOHM/1608/5% CRJ10DJ152T
DSP	R261		nsp	00MNN05101610	CHIP RES.	100 OHM/1608/5% CRJ10DJ101T
DSP	R262		nsp	00MNN05104610	CHIP RES.	100KOHM/1608/5% CRJ10DJ104T
DSP	R263		nsp	00MNN05332610	CHIP RES.	3.3KOHM/1608/5% CRJ10DJ332T
DSP	R264		nsp	00MNN05332610	CHIP RES.	3.3KOHM/1608/5% CRJ10DJ332T
DSP	R265		nsp	00MNN05682610	CHIP RES.	6.8KOHM/1608/5% CRJ10DJ682T
DSP	R266		nsp	00MNN05152610	CHIP RES.	1.5KOHM/1608/5% CRJ10DJ152T
DSP	R267		nsp	00MNN05682610	CHIP RES.	6.8KOHM/1608/5% CRJ10DJ682T
DSP	R268		nsp	00MNN05152610	CHIP RES.	1.5KOHM/1608/5% CRJ10DJ152T
DSP	R269		nsp	00MNN05101610	CHIP RES.	100 OHM/1608/5% CRJ10DJ101T
DSP	R270		nsp	00MNN05104610	CHIP RES.	100KOHM/1608/5% CRJ10DJ104T
DSP	R271		nsp	00MNN05332610	CHIP RES.	3.3KOHM/1608/5% CRJ10DJ332T
DSP	R272		nsp	00MNN05332610	CHIP RES.	3.3KOHM/1608/5% CRJ10DJ332T
DSP	R273		nsp	00MNN05682610	CHIP RES.	6.8KOHM/1608/5% CRJ10DJ682T
DSP	R274		nsp	00MNN05152610	CHIP RES.	1.5KOHM/1608/5% CRJ10DJ152T
DSP	R275		nsp	00MNN05682610	CHIP RES.	6.8KOHM/1608/5% CRJ10DJ682T
DSP	R276		nsp	00MNN05152610	CHIP RES.	1.5KOHM/1608/5% CRJ10DJ152T
DSP	R277		nsp	00MNN05101610	CHIP RES.	100 OHM/1608/5% CRJ10DJ101T

NOTE : "nsp" PART IS LISTED FOR REFERENCE ONLY, MARANTZ WILL NOT SUPPLY THESE PARTS.

P.C.B. NAME	POS. NO.	VERS. COLOR	PART NO. (FOR EUR)	PART NO. (MJI)	PART NAME	DESCRIPTION
DSP	R278		nsp	00MNN05104610	CHIP RES.	100KOHM/1608/5% CRJ10DJ104T
DSP	R279		nsp	00MNN05332610	CHIP RES.	3.3KOHM/1608/5% CRJ10DJ332T
DSP	R280		nsp	00MNN05332610	CHIP RES.	3.3KOHM/1608/5% CRJ10DJ332T
DSP	R281		nsp	00MNN05682610	CHIP RES.	6.8KOHM/1608/5% CRJ10DJ682T
DSP	R282		nsp	00MNN05152610	CHIP RES.	1.5KOHM/1608/5% CRJ10DJ152T
DSP	R283		nsp	00MNN05682610	CHIP RES.	6.8KOHM/1608/5% CRJ10DJ682T
DSP	R284		nsp	00MNN05152610	CHIP RES.	1.5KOHM/1608/5% CRJ10DJ152T
DSP	R285		nsp	00MNN05101610	CHIP RES.	100 OHM/1608/5% CRJ10DJ101T
DSP	R286		nsp	00MNN05104610	CHIP RES.	100KOHM/1608/5% CRJ10DJ104T
DSP	R287		nsp	00MNN05332610	CHIP RES.	3.3KOHM/1608/5% CRJ10DJ332T
DSP	R288		nsp	00MNN05332610	CHIP RES.	3.3KOHM/1608/5% CRJ10DJ332T
DSP	R289		nsp	00MNN05682610	CHIP RES.	6.8KOHM/1608/5% CRJ10DJ682T
DSP	R290		nsp	00MNN05152610	CHIP RES.	1.5KOHM/1608/5% CRJ10DJ152T
DSP	R291		nsp	00MNN05682610	CHIP RES.	6.8KOHM/1608/5% CRJ10DJ682T
DSP	R292		nsp	00MNN05152610	CHIP RES.	1.5KOHM/1608/5% CRJ10DJ152T
DSP	R293		nsp	00MNN05101610	CHIP RES.	100 OHM/1608/5% CRJ10DJ101T
DSP	R294		nsp	00MNN05104610	CHIP RES.	100KOHM/1608/5% CRJ10DJ104T
DSP	R295		nsp	00MNN05332610	CHIP RES.	3.3KOHM/1608/5% CRJ10DJ332T
DSP	R296		nsp	00MNN05332610	CHIP RES.	3.3KOHM/1608/5% CRJ10DJ332T
DSP	R297		nsp	00MNN05682610	CHIP RES.	6.8KOHM/1608/5% CRJ10DJ682T
DSP	R298		nsp	00MNN05152610	CHIP RES.	1.5KOHM/1608/5% CRJ10DJ152T
DSP	R299		nsp	00MNN05682610	CHIP RES.	6.8KOHM/1608/5% CRJ10DJ682T
DSP	R300		nsp	00MNN05152610	CHIP RES.	1.5KOHM/1608/5% CRJ10DJ152T
DSP	R301		nsp	00MNN05101610	CHIP RES.	100 OHM/1608/5% CRJ10DJ101T
DSP	R302		nsp	00MNN05104610	CHIP RES.	100KOHM/1608/5% CRJ10DJ104T
DSP	R303		nsp	00MNN05470610	CHIP RES.	47 OHM/1608/5% CRJ10DJ470T
DSP	R304		nsp	00MNN05473610	CHIP RES.	47KOHM/1608/5% CRJ10DJ473T
DSP	R305		nsp	00MNN05183610	CHIP RES.	18KOHM/1608/5% CRJ10DJ183T
DSP	R306		nsp	00MNN05473610	CHIP RES.	47KOHM/1608/5% CRJ10DJ473T
DSP	R307		nsp	00MNN05152610	CHIP RES.	1.5KOHM/1608/5% CRJ10DJ152T
DSP	R308		nsp	00MNN05221610	CHIP RES.	220 OHM/1608/5% CRJ10DJ221T
DSP	R309		nsp	00MNN05183610	CHIP RES.	18KOHM/1608/5% CRJ10DJ183T
DSP	R310		nsp	00MNN05470610	CHIP RES.	47 OHM/1608/5% CRJ10DJ470T
DSP	R311		nsp	00MNN05220610	CHIP RES.	22 OHM/1608/5% CRJ10DJ220T
DSP	R312		nsp	00MNN05103610	CHIP RES.	10KOHM/1608/5% CRJ10DJ103T
DSP	R313		nsp	00MNN05223610	CHIP RES.	22KOHM/1608/5% CRJ10DJ223T
DSP	R314		nsp	00MNN05682610	CHIP RES.	6.8KOHM/1608/5% CRJ10DJ682T
DSP	R315		nsp	00MNN05047610	CHIP RES.	4.7 OHM/1608/5% CRJ10DJ47T
DSP	R316		nsp	00MNN05102610	CHIP RES.	1KOHM/1608/5% CRJ10DJ102T
DSP	R318		nsp	00MNN05201610	CHIP RES.	200 OHM/1608/5% CRJ10DJ201T
DSP	R319		nsp	00MNN05101610	CHIP RES.	100 OHM/1608/5% CRJ10DJ101T
DSP	R320		nsp	00MNN05101610	CHIP RES.	100 OHM/1608/5% CRJ10DJ101T
DSP	R321		nsp	00MNN05332610	CHIP RES.	3.3KOHM/1608/5% CRJ10DJ332T
DSP	R322		nsp	00MNN05332610	CHIP RES.	3.3KOHM/1608/5% CRJ10DJ332T
DSP	R323		nsp	00MNN05682610	CHIP RES.	6.8KOHM/1608/5% CRJ10DJ682T
DSP	R324		nsp	00MNN05152610	CHIP RES.	1.5KOHM/1608/5% CRJ10DJ152T
DSP	R325		nsp	00MNN05152610	CHIP RES.	1.5KOHM/1608/5% CRJ10DJ152T
DSP	R326		nsp	00MNN05682610	CHIP RES.	6.8KOHM/1608/5% CRJ10DJ682T
DSP	R327		nsp	00MNN05101610	CHIP RES.	100 OHM/1608/5% CRJ10DJ101T
DSP	R328		nsp	00MNN05104610	CHIP RES.	100KOHM/1608/5% CRJ10DJ104T
DSP	R329		nsp	00MNN05201610	CHIP RES.	200 OHM/1608/5% CRJ10DJ201T
DSP	R330		nsp	00MNN05220610	CHIP RES.	22 OHM/1608/5% CRJ10DJ220T
DSP	R331		nsp	00MNN05047610	CHIP RES.	4.7 OHM/1608/5% CRJ10DJ47T
DSP	R332		nsp	00MNN05220610	CHIP RES.	22 OHM/1608/5% CRJ10DJ220T
DSP	R333		nsp	00MNN05220610	CHIP RES.	22 OHM/1608/5% CRJ10DJ220T
DSP	R334		nsp	00MNN05103610	CHIP RES.	10KOHM/1608/5% CRJ10DJ103T
DSP	R345		nsp	00MNN05223610	CHIP RES.	22KOHM/1608/5% CRJ10DJ223T
DSP	R346		nsp	00MNN05682610	CHIP RES.	6.8KOHM/1608/5% CRJ10DJ682T
DSP	R347		nsp	00MNN05047610	CHIP RES.	4.7 OHM/1608/5% CRJ10DJ47T
DSP	R348		nsp	00MNN05047610	CHIP RES.	4.7 OHM/1608/5% CRJ10DJ47T
DSP	R349		nsp	00MNN05102610	CHIP RES.	1KOHM/1608/5% CRJ10DJ102T
DSP	R350		nsp	00MNN05201610	CHIP RES.	200 OHM/1608/5% CRJ10DJ201T
DSP	R351		nsp	00MNN05201610	CHIP RES.	200 OHM/1608/5% CRJ10DJ201T
DSP	R352		nsp	00MNN05101610	CHIP RES.	100 OHM/1608/5% CRJ10DJ101T
DSP	R353		nsp	00MNN05101610	CHIP RES.	100 OHM/1608/5% CRJ10DJ101T
DSP	R354		nsp	00MNN05101610	CHIP RES.	100 OHM/1608/5% CRJ10DJ101T

NOTE : "nsp" PART IS LISTED FOR REFERENCE ONLY, MARANTZ WILL NOT SUPPLY THESE PARTS.

P.C.B. NAME	POS. NO.	VERS. COLOR	PART NO. (FOR EUR)	PART NO. (MJI)	PART NAME	DESCRIPTION
DSP	R355		nsp	00MNN05101610	CHIP RES.	100 OHM/1608/5% CRJ10DJ101T
DSP	RC11		nsp	00MNN05000610	CHIP RES.	0 OHM/1608/5% CRJ10DJ0R0T
DSP	RC12		nsp	00MNN05223610	CHIP RES.	22KOHM/1608/5% CRJ10DJ223T
DSP	RC14		nsp	00MNN05473610	CHIP RES.	47KOHM/1608/5% CRJ10DJ473T
DSP	RC15		nsp	00MNN05473610	CHIP RES.	47KOHM/1608/5% CRJ10DJ473T
DSP	RC16		nsp	00MNN05473610	CHIP RES.	47KOHM/1608/5% CRJ10DJ473T
DSP	RC17		nsp	00MNN05473610	CHIP RES.	47KOHM/1608/5% CRJ10DJ473T
DSP	RC18		nsp	00MNN05473610	CHIP RES.	47KOHM/1608/5% CRJ10DJ473T
DSP	RC20		nsp	00MNN05473610	CHIP RES.	47KOHM/1608/5% CRJ10DJ473T
DSP	RC21		nsp	00MNN05473610	CHIP RES.	47KOHM/1608/5% CRJ10DJ473T
DSP	RC22		nsp	00MNN05473610	CHIP RES.	47KOHM/1608/5% CRJ10DJ473T
DSP	RC23		nsp	00MNN05473610	CHIP RES.	47KOHM/1608/5% CRJ10DJ473T
DSP	RC24		nsp	00MNN05473610	CHIP RES.	47KOHM/1608/5% CRJ10DJ473T
DSP	RC26		nsp	00MNN05010610	CHIP RES.	1OHM/1608/5% CRJ10DJ1R0T
DSP	RC31		nsp	00MNN05472610	CHIP RES.	4.7KOHM/1608/5% CRJ10DJ472T
DSP	RC32		nsp	00MNN05472610	CHIP RES.	4.7KOHM/1608/5% CRJ10DJ472T
DSP	RC33		nsp	00MNN05472610	CHIP RES.	4.7KOHM/1608/5% CRJ10DJ472T
DSP	RC34		nsp	00MNN05473610	CHIP RES.	47KOHM/1608/5% CRJ10DJ473T
DSP	RC35		nsp	00MNN05473610	CHIP RES.	47KOHM/1608/5% CRJ10DJ473T
DSP	RC36	/A1B	nsp	00MNN05832610	CHIP RES.	82KOHM/1608/5% CRJ10DJ823T
DSP	RC36	/A1S	nsp	00MNN05832610	CHIP RES.	82KOHM/1608/5% CRJ10DJ823T
DSP	RC36	/F1N	nsp	00MNN05473610	CHIP RES.	47KOHM/1608/5% CRJ10DJ473T
DSP	RC36	/L1G	nsp	00MNN05473610	CHIP RES.	47KOHM/1608/5% CRJ10DJ473T
DSP	RC36	/N1B	nsp	00MNN05832610	CHIP RES.	82KOHM/1608/5% CRJ10DJ823T
DSP	RC36	/N1G	nsp	00MNN05832610	CHIP RES.	82KOHM/1608/5% CRJ10DJ823T
DSP	RC36	/N1S	nsp	00MNN05832610	CHIP RES.	82KOHM/1608/5% CRJ10DJ823T
DSP	RC37	/A1B	nsp	00MNN05223610	CHIP RES.	22KOHM/1608/5% CRJ10DJ223T
DSP	RC37	/A1S	nsp	00MNN05223610	CHIP RES.	22KOHM/1608/5% CRJ10DJ223T
DSP	RC37	/F1N	nsp	00MNN05473610	CHIP RES.	47KOHM/1608/5% CRJ10DJ473T
DSP	RC37	/L1G	nsp	00MNN05473610	CHIP RES.	47KOHM/1608/5% CRJ10DJ473T
DSP	RC37	/N1B	nsp	00MNN05223610	CHIP RES.	22KOHM/1608/5% CRJ10DJ223T
DSP	RC37	/N1G	nsp	00MNN05223610	CHIP RES.	22KOHM/1608/5% CRJ10DJ223T
DSP	RC37	/N1S	nsp	00MNN05223610	CHIP RES.	22KOHM/1608/5% CRJ10DJ223T
DSP	RC37	/U1B	nsp	00MNN05000610	CHIP RES.	0 OHM/1608/5% CRJ10DJ0R0T
DSP	RC39		nsp	00MNN05103610	CHIP RES.	10KOHM/1608/5% CRJ10DJ103T
DSP	RC40		nsp	00MNN05473610	CHIP RES.	47KOHM/1608/5% CRJ10DJ473T
DSP	RC41		nsp	00MNN05123610	CHIP RES.	12KOHM/1608/5% CRJ10DJ123T
DSP	RC42		nsp	00MNN05473610	CHIP RES.	47KOHM/1608/5% CRJ10DJ473T
DSP	RC43		nsp	00MNN05473610	CHIP RES.	47KOHM/1608/5% CRJ10DJ473T
DSP	RC44		nsp	00MNN05102610	CHIP RES.	1KOHM/1608/5% CRJ10DJ102T
DSP	RC45		nsp	00MNN05473610	CHIP RES.	47KOHM/1608/5% CRJ10DJ473T
DSP	RC46		nsp	00MNN05473610	CHIP RES.	47KOHM/1608/5% CRJ10DJ473T
DSP	RC47		nsp	00MNN05473610	CHIP RES.	47KOHM/1608/5% CRJ10DJ473T
DSP	RC48		nsp	00MNN05473610	CHIP RES.	47KOHM/1608/5% CRJ10DJ473T
DSP	RC49		nsp	00MNN05473610	CHIP RES.	47KOHM/1608/5% CRJ10DJ473T
DSP	RC50		nsp	00MNN05473610	CHIP RES.	47KOHM/1608/5% CRJ10DJ473T
DSP	RC51		nsp	00MNN05473610	CHIP RES.	47KOHM/1608/5% CRJ10DJ473T
DSP	RC52		nsp	00MNN05473610	CHIP RES.	47KOHM/1608/5% CRJ10DJ473T
DSP	RC53		nsp	00MNN05473610	CHIP RES.	47KOHM/1608/5% CRJ10DJ473T
DSP	RC55		nsp	00MNN05223610	CHIP RES.	22KOHM/1608/5% CRJ10DJ223T
DSP	RC56		nsp	00MNN05223610	CHIP RES.	22KOHM/1608/5% CRJ10DJ223T
DSP	RC59		nsp	00MNN05473610	CHIP RES.	47KOHM/1608/5% CRJ10DJ473T
DSP	RC60		nsp	00MNN05473610	CHIP RES.	47KOHM/1608/5% CRJ10DJ473T
DSP	RC61		nsp	00MNN05473610	CHIP RES.	47KOHM/1608/5% CRJ10DJ473T
DSP	RC62		nsp	00MNN05473610	CHIP RES.	47KOHM/1608/5% CRJ10DJ473T
DSP	RC63		nsp	00MNN05683610	CHIP RES.	68KOHM/1608/5% CRJ10DJ683T
DSP	RC64		nsp	00MNN05222610	CHIP RES.	2.2KOHM/1608/5% CRJ10DJ222T
DSP	RC65		nsp	00MNN05102610	CHIP RES.	1KOHM/1608/5% CRJ10DJ102T
DSP	RC66		nsp	00MNN05473610	CHIP RES.	47KOHM/1608/5% CRJ10DJ473T
DSP	RC67		nsp	00MNN05473610	CHIP RES.	47KOHM/1608/5% CRJ10DJ473T
DSP	RC77		nsp	00MNN05473610	CHIP RES.	47KOHM/1608/5% CRJ10DJ473T
DSP	RN11		90M-BW000390R	90M-BW000390R	RES. COMPO.	100R (1608) CRJ104DJ101T
DSP	RN12		90M-BW000390R	90M-BW000390R	RES. COMPO.	100R (1608) CRJ104DJ101T
DSP	RN13		90M-BW000390R	90M-BW000390R	RES. COMPO.	100R (1608) CRJ104DJ101T
DSP	RN14		90M-BW000390R	90M-BW000390R	RES. COMPO.	100R (1608) CRJ104DJ101T
DSP	RN15		90M-BW000390R	90M-BW000390R	RES. COMPO.	100R (1608) CRJ104DJ101T

NOTE : \*nsp\* PART IS LISTED FOR REFERENCE ONLY, MARANTZ WILL NOT SUPPLY THESE PARTS.

P.C.B. NAME	POS. NO.	VERS. COLOR	PART NO. (FOR EUR)	PART NO. (MJI)	PART NAME	DESCRIPTION
DSP	RN16		90M-BW000390R	90M-BW000390R	RES. COMPO.	100R (1608) CRJ104DJ101T
DSP	RN17		90M-BW000390R	90M-BW000390R	RES. COMPO.	100R (1608) CRJ104DJ101T
DSP	RN18		90M-BW000390R	90M-BW000390R	RES. COMPO.	100R (1608) CRJ104DJ101T
DSP	RN19		90M-BW000390R	90M-BW000390R	RES. COMPO.	100R (1608) CRJ104DJ101T
DSP	RY10		90M-LY000380R	90M-LY000380R	RELAY	AXICOM HSL4C008ZE
DSP	SW10		90M-SP001290R	90M-SP001290R	SW	SPUJ19XSM011 HSH2B018Z
DSP	X101		90M-JX001180R	90M-JX001180R	X'TAL	12288HZ HOX12288E320TF
DSP	XC11		90M-JX001190R	90M-JX001190R	X'TAL	20MHZ HOX20000E220TF
					<b>DVI PCB (CUP11659-1)</b>	
DVI	C101		nsp	00MDK96104300	CER. CAP.	0.1UF ZF 1608 SIZE HCUS1E104ZF
DVI	C102		nsp	00MDK96104300	CER. CAP.	0.1UF ZF 1608 SIZE HCUS1E104ZF
DVI	C103		nsp	00MDK96104300	CER. CAP.	0.1UF ZF 1608 SIZE HCUS1E104ZF
DVI	C104		nsp	00MDK96104300	CER. CAP.	0.1UF ZF 1608 SIZE HCUS1E104ZF
DVI	C105		nsp	00MDK96104300	CER. CAP.	0.1UF ZF 1608 SIZE HCUS1E104ZF
DVI	C106		nsp	00MDK96104300	CER. CAP.	0.1UF ZF 1608 SIZE HCUS1E104ZF
DVI	C107		90M-EY000410R	90M-EY000410R	ELECT CAP.	47UF/16V HCEC1CRV2470T
DVI	C108		nsp	00MDK96104300	CER. CAP.	0.1UF ZF 1608 SIZE HCUS1E104ZF
DVI	C109		nsp	00MDK96104300	CER. CAP.	0.1UF ZF 1608 SIZE HCUS1E104ZF
DVI	C110		90M-EY000410R	90M-EY000410R	ELECT CAP.	47UF/16V HCEC1CRV2470T
DVI	C111		nsp	00MDK96104300	CER. CAP.	0.1UF ZF 1608 SIZE HCUS1E104ZF
DVI	C112		nsp	00MDK96104300	CER. CAP.	0.1UF ZF 1608 SIZE HCUS1E104ZF
DVI	C113		nsp	00MDK96104300	CER. CAP.	0.1UF ZF 1608 SIZE HCUS1E104ZF
DVI	C121		nsp	00MDK96104300	CER. CAP.	0.1UF ZF 1608 SIZE HCUS1E104ZF
DVI	C122		nsp	00MDK96104300	CER. CAP.	0.1UF ZF 1608 SIZE HCUS1E104ZF
DVI	C123		nsp	00MDK96104300	CER. CAP.	0.1UF ZF 1608 SIZE HCUS1E104ZF
DVI	C124		nsp	00MDK96104300	CER. CAP.	0.1UF ZF 1608 SIZE HCUS1E104ZF
DVI	C125		nsp	00MDK96104300	CER. CAP.	0.1UF ZF 1608 SIZE HCUS1E104ZF
DVI	C126		nsp	00MDK96104300	CER. CAP.	0.1UF ZF 1608 SIZE HCUS1E104ZF
DVI	C127		90M-EY000410R	90M-EY000410R	ELECT CAP.	47UF/16V HCEC1CRV2470T
DVI	C128		nsp	00MDK96104300	CER. CAP.	0.1UF ZF 1608 SIZE HCUS1E104ZF
DVI	C129		nsp	00MDK96104300	CER. CAP.	0.1UF ZF 1608 SIZE HCUS1E104ZF
DVI	C130		90M-EY000410R	90M-EY000410R	ELECT CAP.	47UF/16V HCEC1CRV2470T
DVI	C131		nsp	00MDK96104300	CER. CAP.	0.1UF ZF 1608 SIZE HCUS1E104ZF
DVI	C132		nsp	00MDK96104300	CER. CAP.	0.1UF ZF 1608 SIZE HCUS1E104ZF
DVI	C133		nsp	00MDK96104300	CER. CAP.	0.1UF ZF 1608 SIZE HCUS1E104ZF
DVI	C180		nsp	00MDK96104300	CER. CAP.	0.1UF ZF 1608 SIZE HCUS1E104ZF
DVI	C181		nsp	00MDK96104300	CER. CAP.	0.1UF ZF 1608 SIZE HCUS1E104ZF
DVI	C182		nsp	00MDK96104300	CER. CAP.	0.1UF ZF 1608 SIZE HCUS1E104ZF
DVI	C183		nsp	00MDK96104300	CER. CAP.	0.1UF ZF 1608 SIZE HCUS1E104ZF
DVI	C184		nsp	00MDK96104300	CER. CAP.	0.1UF ZF 1608 SIZE HCUS1E104ZF
DVI	C185		nsp	00MDK96104300	CER. CAP.	0.1UF ZF 1608 SIZE HCUS1E104ZF
DVI	C186		90M-EY000410R	90M-EY000410R	ELECT CAP.	47UF/16V HCEC1CRV2470T
DVI	C187		nsp	00MDK96104300	CER. CAP.	0.1UF ZF 1608 SIZE HCUS1E104ZF
DVI	C188		nsp	00MDK96104300	CER. CAP.	0.1UF ZF 1608 SIZE HCUS1E104ZF
DVI	C189		nsp	00MDK96104300	CER. CAP.	0.1UF ZF 1608 SIZE HCUS1E104ZF
DVI	C190		90M-EY000410R	90M-EY000410R	ELECT CAP.	47UF/16V HCEC1CRV2470T
DVI	C191		nsp	00MDK96104300	CER. CAP.	0.1UF ZF 1608 SIZE HCUS1E104ZF
DVI	C192		nsp	00MDK96104300	CER. CAP.	0.1UF ZF 1608 SIZE HCUS1E104ZF
DVI	C193		nsp	00MDK96104300	CER. CAP.	0.1UF ZF 1608 SIZE HCUS1E104ZF
DVI	C194		nsp	00MDK96104300	CER. CAP.	0.1UF ZF 1608 SIZE HCUS1E104ZF
DVI	C195		90M-EY000410R	90M-EY000410R	ELECT CAP.	47UF/16V HCEC1CRV2470T
DVI	C196		nsp	00MDK96104300	CER. CAP.	0.1UF ZF 1608 SIZE HCUS1E104ZF
DVI	C197		90M-EY000410R	90M-EY000410R	ELECT CAP.	47UF/16V HCEC1CRV2470T
DVI	C198		nsp	00MDK96104300	CER. CAP.	0.1UF ZF 1608 SIZE HCUS1E104ZF
DVI	C199		nsp	00MDK96104300	CER. CAP.	0.1UF ZF 1608 SIZE HCUS1E104ZF
DVI	CN11		nsp	nsp	JACK	CJP11GA117ZY
DVI	CN12		nsp	nsp	JACK	STRAIGHT, 6PIN CJP06GA19ZY
DVI	D101		nsp	90M-HD201800R	DIODE	HVD1SS355T
DVI	D102		nsp	90M-HD201800R	DIODE	HVD1SS355T
DVI	D103		nsp	90M-HD201800R	DIODE	HVD1SS355T
DVI	D104		nsp	90M-HD201800R	DIODE	HVD1SS355T
DVI	IC11		90M-HC109270R	90M-HC109270R	IC	SII1161CT100 HVISII1161CT100
DVI	IC12		90M-HC109270R	90M-HC109270R	IC	SII1161CT100 HVISII1161CT100
DVI	IC16		90M-HC109280R	90M-HC109280R	IC	SII160CT100 HVISII160CT100
DVI	IC17		90M-HC300740R	90M-HC300740R	IC REG	KIA278R33PI HVIKIA278R33PI
DVI	IC18		90M-HC108910R	90M-HC108910R	IC	74VHC08 HVI74VHC08TTR

NOTE : "nsp" PART IS LISTED FOR REFERENCE ONLY, MARANTZ WILL NOT SUPPLY THESE PARTS.



P.C.B. NAME	POS. NO.	VERS. COLOR	PART NO. (FOR EUR)	PART NO. (MJI)	PART NAME	DESCRIPTION
DVI	JK11		90M-YT004370R	90M-YT004370R	TERMINAL	YKF45-7017N HJJ9I001Z
DVI	JK12		90M-YT004370R	90M-YT004370R	TERMINAL	YKF45-7017N HJJ9I001Z
DVI	JK13		90M-YT004370R	90M-YT004370R	TERMINAL	YKF45-7017N HJJ9I001Z
DVI	L101		90M-FC900370R	90M-FC900370R	FERRITE CORE	HH-1M2012-221JT HLZ9R006Z
DVI	L121		90M-FC900370R	90M-FC900370R	FERRITE CORE	HH-1M2012-221JT HLZ9R006Z
DVI	L181		90M-FC900370R	90M-FC900370R	FERRITE CORE	HH-1M2012-221JT HLZ9R006Z
DVI	L182		90M-FC900370R	90M-FC900370R	FERRITE CORE	HH-1M2012-221JT HLZ9R006Z
DVI	Q101		90M-HX600010R	90M-HX600010R	CHIP TRS.	KRA102S HVTKRA102S
DVI	Q102		90M-HX800010R	90M-HX800010R	CHIP TRS.	KRC102S HVTKRC102S
DVI	Q103		90M-HX600010R	90M-HX600010R	CHIP TRS.	KRA102S HVTKRA102S
DVI	Q104		90M-HX800010R	90M-HX800010R	CHIP TRS.	KRC102S HVTKRC102S
DVI	R101		nsp	00MNN05000610	CHIP RES.	0 OHM/1608/5% CRJ10DJ0R0T
DVI	R102		nsp	00MNN05103610	CHIP RES.	10KOHM/1608/5% CRJ10DJ103T
DVI	R103		nsp	00MNN05103610	CHIP RES.	10KOHM/1608/5% CRJ10DJ103T
DVI	R104		nsp	00MNN05103610	CHIP RES.	10KOHM/1608/5% CRJ10DJ103T
DVI	R105		nsp	00MNN05000610	CHIP RES.	0 OHM/1608/5% CRJ10DJ0R0T
DVI	R106		nsp	00MNN05391610	CHIP RES.	390 OHM/1608/5% CRJ10DJ391T
DVI	R107		nsp	00MNN05103610	CHIP RES.	10KOHM/1608/5% CRJ10DJ103T
DVI	R108		nsp	00MNN05103610	CHIP RES.	10KOHM/1608/5% CRJ10DJ103T
DVI	R121		nsp	00MNN05000610	CHIP RES.	0 OHM/1608/5% CRJ10DJ0R0T
DVI	R122		nsp	00MNN05103610	CHIP RES.	10KOHM/1608/5% CRJ10DJ103T
DVI	R123		nsp	00MNN05103610	CHIP RES.	10KOHM/1608/5% CRJ10DJ103T
DVI	R124		nsp	00MNN05103610	CHIP RES.	10KOHM/1608/5% CRJ10DJ103T
DVI	R125		nsp	00MNN05000610	CHIP RES.	0 OHM/1608/5% CRJ10DJ0R0T
DVI	R126		nsp	00MNN05391610	CHIP RES.	390 OHM/1608/5% CRJ10DJ391T
DVI	R127		nsp	00MNN05103610	CHIP RES.	10KOHM/1608/5% CRJ10DJ103T
DVI	R128		nsp	00MNN05103610	CHIP RES.	10KOHM/1608/5% CRJ10DJ103T
DVI	R181		nsp	00MNN05103610	CHIP RES.	10KOHM/1608/5% CRJ10DJ103T
DVI	R182		nsp	00MNN05000610	CHIP RES.	0 OHM/1608/5% CRJ10DJ0R0T
DVI	R183		nsp	00MNN05511610	CHIP RES.	510 OHM/1608/5% CRJ10DJ511T
DVI	R184		nsp	00MNN05101610	CHIP RES.	100 OHM/1608/5% CRJ10DJ101T
DVI	R185		nsp	00MNN05101610	CHIP RES.	100 OHM/1608/5% CRJ10DJ101T
DVI	R191		nsp	00MNN05103610	CHIP RES.	10KOHM/1608/5% CRJ10DJ103T
DVI	RN11		90M-BW000400R	90M-BW000400R	RES. COMPO.	22X4/2012 HRJ104DJ220T
DVI	RN12		90M-BW000400R	90M-BW000400R	RES. COMPO.	22X4/2012 HRJ104DJ220T
DVI	RN13		90M-BW000400R	90M-BW000400R	RES. COMPO.	22X4/2012 HRJ104DJ220T
DVI	RN14		90M-BW000400R	90M-BW000400R	RES. COMPO.	22X4/2012 HRJ104DJ220T
DVI	RN15		90M-BW000400R	90M-BW000400R	RES. COMPO.	22X4/2012 HRJ104DJ220T
DVI	RN16		90M-BW000400R	90M-BW000400R	RES. COMPO.	22X4/2012 HRJ104DJ220T
DVI	RN17		90M-BW000400R	90M-BW000400R	RES. COMPO.	22X4/2012 HRJ104DJ220T
DVI	RN18		90M-BW000400R	90M-BW000400R	RES. COMPO.	22X4/2012 HRJ104DJ220T
DVI	RN21		90M-BW000400R	90M-BW000400R	RES. COMPO.	22X4/2012 HRJ104DJ220T
DVI	RN22		90M-BW000400R	90M-BW000400R	RES. COMPO.	22X4/2012 HRJ104DJ220T
DVI	RN23		90M-BW000400R	90M-BW000400R	RES. COMPO.	22X4/2012 HRJ104DJ220T
DVI	RN24		90M-BW000400R	90M-BW000400R	RES. COMPO.	22X4/2012 HRJ104DJ220T
DVI	RN25		90M-BW000400R	90M-BW000400R	RES. COMPO.	22X4/2012 HRJ104DJ220T
DVI	RN26		90M-BW000400R	90M-BW000400R	RES. COMPO.	22X4/2012 HRJ104DJ220T
DVI	RN27		90M-BW000400R	90M-BW000400R	RES. COMPO.	22X4/2012 HRJ104DJ220T
DVI	RN28		90M-BW000400R	90M-BW000400R	RES. COMPO.	22X4/2012 HRJ104DJ220T
DVI	RY11		90M-LY000380R	90M-LY000380R	RELAY	AXICOM HSL4C008ZE
DVI	RY12		90M-LY000380R	90M-LY000380R	RELAY	AXICOM HSL4C008ZE
DVI	RY13		90M-LY000380R	90M-LY000380R	RELAY	AXICOM HSL4C008ZE
DVI	RY14		90M-LY000380R	90M-LY000380R	RELAY	AXICOM HSL4C008ZE
					<b>FRONT PCB (CUP11759-1)</b>	
FRONT	BK11		nsp	nsp	BRACKET	CMD1A468
FRONT	BK12		nsp	nsp	BRACKET	CMD1A468
FRONT	BN14		nsp	nsp	CORD	CWB1B907370EN
FRONT	BN51		nsp	nsp	CORD	CWB1B907050EN
FRONT	BN52		nsp	nsp	CORD	CWB1B907050EN
FRONT	BN53		nsp	nsp	CORD	CWB1B902550EN
FRONT	C801		nsp	00MOA10701020	ELECT CAP.	100UF 10V HCEA1AH101T
FRONT	C802		nsp	00MOA10601620	ELECT CAP.	10UF 16V HCEA1CH100T
FRONT	C804		nsp	nsp	CER. CAP.	0.01UF 50V Z HCBS1H103ZFT
FRONT	C805		nsp	nsp	CER. CAP.	100PF 50V K HCBS1H101KBT
FRONT	C806		nsp	00MOA10703520	ELECT CAP.	100UF 35V HCEA1VH101T

NOTE : "nsp" PART IS LISTED FOR REFERENCE ONLY, MARANTZ WILL NOT SUPPLY THESE PARTS.

P.C.B. NAME	POS. NO.	VERS. COLOR	PART NO. (FOR EUR)	PART NO. (MJI)	PART NAME	DESCRIPTION	
FRONT	C807		nsp	nsp	CER. CAP.	100PF 50V K	HCBS1H101KBT
FRONT	C809		nsp	nsp	CER. CAP.	100PF 50V K	HCBS1H101KBT
FRONT	C810		nsp	nsp	CER. CAP.	100PF 50V K	HCBS1H101KBT
FRONT	C811		nsp	nsp	CER. CAP.	100PF 50V K	HCBS1H101KBT
FRONT	C812		nsp	nsp	CER. CAP.	0.1UF 50V Z	HCBS1H104ZFT
FRONT	C813		nsp	00MOA10701020	ELECT CAP.	100UF 10V	HCEA1AH101T
FRONT	C816		nsp	nsp	CER. CAP.	100PF 50V K	HCBS1H101KBT
FRONT	C817		nsp	nsp	CER. CAP.	100PF 50V K	HCBS1H101KBT
FRONT	C818		nsp	nsp	CER. CAP.	100PF 50V K	HCBS1H101KBT
FRONT	C820		nsp	nsp	CER. CAP.	100PF 50V K	HCBS1H101KBT
FRONT	C821		90M-EJ000040R	90M-EJ000040R	ELECT CAP.	10UF 50V KS	HCEA1HKS100T
FRONT	C822		nsp	nsp	CER. CAP.	100PF 50V K	HCBS1H101KBT
FRONT	C824		nsp	nsp	CER. CAP.	0.1UF 50V Z	HCBS1H104ZFT
FRONT	C825		nsp	nsp	CER. CAP.		HCBS1H391KBT
FRONT	C826		nsp	nsp	CER. CAP.	100PF 50V K	HCBS1H101KBT
FRONT	C827		nsp	nsp	CER. CAP.	100PF 50V K	HCBS1H101KBT
FRONT	C828		90M-EJ000010R	90M-EJ000010R	ELECT CAP.	100UF 10V	HCEA1AKS101T
FRONT	C881		nsp	nsp	CER. CAP.		HCBS1H471KBT
FRONT	C882		90M-EJ000020R	90M-EJ000020R	ELECT CAP.		HCEA1CKS220T
FRONT	C883		90M-EJ000050R	90M-EJ000050R	ELECT CAP.	4.7UF 50V KS	HCEA1HKS4R7T
FRONT	C884		nsp	nsp	CER. CAP.		HCBS1H471KBT
FRONT	C886		nsp	nsp	CER. CAP.	100PF 50V K	HCBS1H101KBT
FRONT	C888		nsp	nsp	CER. CAP.	100PF 50V K	HCBS1H101KBT
FRONT	C891		90M-EJ000030R	90M-EJ000030R	ELECT CAP.	33UF 25V KS	HCEA1EKS330T
FRONT	C892		nsp	nsp	CER. CAP.	100PF 50V K	HCBS1H101KBT
FRONT	C893		nsp	nsp	CER. CAP.	0.1UF 50V Z	HCBS1H104ZFT
FRONT	C894		nsp	nsp	CER. CAP.	0.1UF 50V Z	HCBS1H104ZFT
FRONT	C895		nsp	nsp	CER. CAP.	100PF 50V K	HCBS1H101KBT
FRONT	C896		90M-EJ000050R	90M-EJ000050R	ELECT CAP.	4.7UF 50V KS	HCEA1HKS4R7T
FRONT	C897		90M-EJ000050R	90M-EJ000050R	ELECT CAP.	4.7UF 50V KS	HCEA1HKS4R7T
FRONT	CN15		nsp	nsp	JACK		CJP19GA117ZY
FRONT	D802		90M-HI101040R	90M-HI101040R	L.E.D.	SLR342VCTB7T089	HVD342VCTB7T089
FRONT	D803		90M-HI101080R	90M-HI101080R	L.E.D.		CVDLEBBL33T0
FRONT	FIP1		90M-HQ300620R	90M-HQ300620R	DISPLAY	16-BT-110GNK	HFL16BT110GNK
FRONT	IC81		00MHC10220090	00MHC10220090	IC		HVINJU3430F
FRONT	IC85		00MHC10102090	00MHC10102090	IC	NJM2068MD-TE1	HVINJM2068MDTE1
FRONT	J801		nsp	nsp	CONN. CORD	SN95/PB5 , 0.6	C3A206
FRONT	J802		nsp	nsp	CONN. CORD	SN95/PB5 , 0.6	C3A206
FRONT	J804		nsp	nsp	CONN. CORD	SN95/PB5 , 0.6	C3A206
FRONT	J805		nsp	nsp	CONN. CORD	SN95/PB5 , 0.6	C3A206
FRONT	J806		nsp	nsp	CONN. CORD	SN95/PB5 , 0.6	C3A206
FRONT	J807		nsp	nsp	CONN. CORD	SN95/PB5 , 0.6	C3A206
FRONT	J808		nsp	nsp	CONN. CORD	SN95/PB5 , 0.6	C3A206
FRONT	J809		nsp	nsp	CONN. CORD	SN95/PB5 , 0.6	C3A206
FRONT	J830		nsp	nsp	CONN. CORD	SN95/PB5 , 0.6	C3A206
FRONT	J832		nsp	nsp	CONN. CORD	SN95/PB5 , 0.6	C3A206
FRONT	J833		nsp	nsp	CONN. CORD	SN95/PB5 , 0.6	C3A206
FRONT	J834		nsp	nsp	CONN. CORD	SN95/PB5 , 0.6	C3A206
FRONT	J835		nsp	nsp	CONN. CORD	SN95/PB5 , 0.6	C3A206
FRONT	J836		nsp	nsp	CONN. CORD	SN95/PB5 , 0.6	C3A206
FRONT	J837		nsp	nsp	CONN. CORD	SN95/PB5 , 0.6	C3A206
FRONT	J838		nsp	nsp	CONN. CORD	SN95/PB5 , 0.6	C3A206
FRONT	J839		nsp	nsp	CONN. CORD	SN95/PB5 , 0.6	C3A206
FRONT	J840		nsp	nsp	CONN. CORD	SN95/PB5 , 0.6	C3A206
FRONT	J845		nsp	nsp	CONN. CORD	SN95/PB5 , 0.6	C3A206
FRONT	J846		nsp	nsp	CONN. CORD	SN95/PB5 , 0.6	C3A206
FRONT	J847		nsp	nsp	CONN. CORD	SN95/PB5 , 0.6	C3A206
FRONT	J848		nsp	nsp	CONN. CORD	SN95/PB5 , 0.6	C3A206
FRONT	J849		nsp	nsp	CONN. CORD	SN95/PB5 , 0.6	C3A206
FRONT	J861		nsp	nsp	CONN. CORD	SN95/PB5 , 0.6	C3A206
FRONT	J862		nsp	nsp	CONN. CORD	SN95/PB5 , 0.6	C3A206
FRONT	J863		nsp	nsp	CONN. CORD	SN95/PB5 , 0.6	C3A206
FRONT	J866		nsp	nsp	CONN. CORD	SN95/PB5 , 0.6	C3A206
FRONT	J867		nsp	nsp	CONN. CORD	SN95/PB5 , 0.6	C3A206
FRONT	J868		nsp	nsp	CONN. CORD	SN95/PB5 , 0.6	C3A206
FRONT	J869		nsp	nsp	CONN. CORD	SN95/PB5 , 0.6	C3A206

NOTE : "nsp" PART IS LISTED FOR REFERENCE ONLY, MARANTZ WILL NOT SUPPLY THESE PARTS.

P.C.B. NAME	POS. NO.	VERS. COLOR	PART NO. (FOR EUR)	PART NO. (MJI)	PART NAME	DESCRIPTION	
FRONT	J870		nsp	nsp	CONN. CORD	SN95/PB5 , 0.6	C3A206
FRONT	J876		nsp	nsp	CONN. CORD	SN95/PB5 , 0.6	C3A206
FRONT	J877		nsp	nsp	CONN. CORD	SN95/PB5 , 0.6	C3A206
FRONT	JK82		90M-YT004320R	90M-YT004320R	TERMINAL	HEADPHONE	HJJ2D003Z
FRONT	JW11		nsp	nsp	CORD		CWE8102180RV
FRONT	JW12		nsp	nsp	CORD		CWE8102050RV
FRONT	JW13		nsp	nsp	CORD		CWE8102150RV
FRONT	Q801		00MBA10001000	00MBA10001000	TRS.	KRA102M	HVTKRA102MT
FRONT	Q803		00MHT30001000	00MHT30001000	TRS.		HVTKTC3199YT
FRONT	Q808		00MBA20001000	00MBA20001000	TRS.	KRC102M	HVTKRC102MT
FRONT	Q809		00MBA10001000	00MBA10001000	TRS.	KRA102M	HVTKRA102MT
FRONT	R805		nsp	nsp	RES.	100 OHM 1/5W J	CRD20TJ101T
FRONT	R810		nsp	nsp	RES.	5.6K OHM 1/5W J	CRD20TJ562T
FRONT	R811		nsp	nsp	RES.	2.7K OHM 1/5W J	CRD20TJ272T
FRONT	R812		nsp	nsp	RES.	2.2K OHM 1/5W J	CRD20TJ222T
FRONT	R813		nsp	nsp	RES.	1.5K OHM 1/5W J	CRD20TJ152T
FRONT	R814		nsp	nsp	RES.	1K OHM 1/5W J	CRD20TJ102T
FRONT	R815		nsp	nsp	RES.	820 OHM 1/5W J	CRD20TJ821T
FRONT	R816		nsp	nsp	RES.	560 OHM 1/5W J	CRD20TJ561T
FRONT	R817		nsp	nsp	RES.	680 OHM 1/5W J	CRD20TJ681T
FRONT	R818		nsp	nsp	RES.	5.6K OHM 1/5W J	CRD20TJ562T
FRONT	R819		nsp	nsp	RES.	2.7K OHM 1/5W J	CRD20TJ272T
FRONT	R820		nsp	nsp	RES.	2.2K OHM 1/5W J	CRD20TJ222T
FRONT	R821		nsp	nsp	RES.	1.5K OHM 1/5W J	CRD20TJ152T
FRONT	R822		nsp	nsp	RES.	1K OHM 1/5W J	CRD20TJ102T
FRONT	R823		nsp	nsp	RES.	820 OHM 1/5W J	CRD20TJ821T
FRONT	R824		nsp	nsp	RES.	560 OHM 1/5W J	CRD20TJ561T
FRONT	R825		nsp	nsp	RES.	680 OHM 1/5W J	CRD20TJ681T
FRONT	R826		nsp	nsp	RES.	5.6K OHM 1/5W J	CRD20TJ562T
FRONT	R827		nsp	nsp	RES.	2.7K OHM 1/5W J	CRD20TJ272T
FRONT	R828		nsp	nsp	RES.	2.2K OHM 1/5W J	CRD20TJ222T
FRONT	R829		nsp	nsp	RES.	1.5K OHM 1/5W J	CRD20TJ152T
FRONT	R830		nsp	nsp	RES.	1K OHM 1/5W J	CRD20TJ102T
FRONT	R831		nsp	nsp	RES.	10K OHM 1/5W J	CRD20TJ103T
FRONT	R833		nsp	nsp	RES.	68K OHM 1/5W J	CRD20TJ683T
FRONT	R845		nsp	nsp	RES.	100 OHM 1/5W J	CRD20TJ101T
FRONT	R876		nsp	nsp	RES.	820 OHM 1/5W J	CRD20TJ821T
FRONT	R877		nsp	nsp	RES.	560 OHM 1/5W J	CRD20TJ561T
FRONT	R879		nsp	nsp	RES.	680 OHM 1/5W J	CRD20TJ681T
FRONT	R901		nsp	nsp	RES.	10K OHM 1/5W J	CRD20TJ103T
FRONT	R902		nsp	nsp	RES.	10K OHM 1/5W J	CRD20TJ103T
FRONT	R903		nsp	nsp	RES.	10K OHM 1/5W J	CRD20TJ103T
FRONT	R904		nsp	nsp	RES.	10K OHM 1/5W J	CRD20TJ103T
FRONT	R905		nsp	nsp	RES.	10K OHM 1/5W J	CRD20TJ103T
FRONT	R906		nsp	nsp	RES.	10K OHM 1/5W J	CRD20TJ103T
FRONT	R907		nsp	nsp	RES.	10K OHM 1/5W J	CRD20TJ103T
FRONT	R908		nsp	nsp	RES.	10K OHM 1/5W J	CRD20TJ103T
FRONT	R909		nsp	nsp	RES.	10K OHM 1/5W J	CRD20TJ103T
FRONT	R910		nsp	nsp	RES.	10K OHM 1/5W J	CRD20TJ103T
FRONT	R911		nsp	nsp	RES.	10K OHM 1/5W J	CRD20TJ103T
FRONT	R912		nsp	nsp	RES.	10K OHM 1/5W J	CRD20TJ103T
FRONT	R913		nsp	nsp	RES.	10K OHM 1/5W J	CRD20TJ103T
FRONT	R914		nsp	nsp	RES.	10K OHM 1/5W J	CRD20TJ103T
FRONT	R915		nsp	nsp	RES.	10K OHM 1/5W J	CRD20TJ103T
FRONT	R916		nsp	nsp	RES.	10K OHM 1/5W J	CRD20TJ103T
FRONT	R917		nsp	nsp	RES.	47K OHM 1/5W J	CRD20TJ473T
FRONT	R918		nsp	nsp	RES.	47K OHM 1/5W J	CRD20TJ473T
FRONT	R919		nsp	nsp	RES.	47K OHM 1/5W J	CRD20TJ473T
FRONT	R920		nsp	nsp	RES.	47K OHM 1/5W J	CRD20TJ473T
FRONT	R921		nsp	nsp	RES.	47K OHM 1/5W J	CRD20TJ473T
FRONT	R922		nsp	nsp	RES.	47K OHM 1/5W J	CRD20TJ473T
FRONT	R923		nsp	nsp	RES.	47K OHM 1/5W J	CRD20TJ473T
FRONT	R924		nsp	nsp	RES.	47K OHM 1/5W J	CRD20TJ473T
FRONT	R925		nsp	nsp	RES.	47K OHM 1/5W J	CRD20TJ473T
FRONT	R926		nsp	nsp	RES.	47K OHM 1/5W J	CRD20TJ473T
FRONT	R927		nsp	nsp	RES.	47K OHM 1/5W J	CRD20TJ473T

NOTE : "nsp" PART IS LISTED FOR REFERENCE ONLY, MARANTZ WILL NOT SUPPLY THESE PARTS.

P.C.B. NAME	POS. NO.	VERS. COLOR	PART NO. (FOR EUR)	PART NO. (MJI)	PART NAME	DESCRIPTION
FRONT	R928		nsp	nsp	RES.	47K OHM 1/5W J CRD20TJ473T
FRONT	R929		nsp	nsp	RES.	47K OHM 1/5W J CRD20TJ473T
FRONT	R930		nsp	nsp	RES.	47K OHM 1/5W J CRD20TJ473T
FRONT	R931		nsp	nsp	RES.	47K OHM 1/5W J CRD20TJ473T
FRONT	R932		nsp	nsp	RES.	47K OHM 1/5W J CRD20TJ473T
FRONT	R933		nsp	nsp	RES.	47K OHM 1/5W J CRD20TJ473T
FRONT	R934		nsp	nsp	RES.	47K OHM 1/5W J CRD20TJ473T
FRONT	R935		nsp	nsp	RES.	47K OHM 1/5W J CRD20TJ473T
FRONT	R936		nsp	nsp	RES.	47K OHM 1/5W J CRD20TJ473T
FRONT	R937		nsp	nsp	RES.	47K OHM 1/5W J CRD20TJ473T
FRONT	R938		nsp	nsp	RES.	47K OHM 1/5W J CRD20TJ473T
FRONT	R939		nsp	nsp	RES.	47K OHM 1/5W J CRD20TJ473T
FRONT	R940		nsp	nsp	RES.	47K OHM 1/5W J CRD20TJ473T
FRONT	R941		nsp	nsp	RES.	47K OHM 1/5W J CRD20TJ473T
FRONT	R942		nsp	nsp	RES.	47K OHM 1/5W J CRD20TJ473T
FRONT	R943		nsp	nsp	RES.	47K OHM 1/5W J CRD20TJ473T
FRONT	R944		nsp	nsp	RES.	47K OHM 1/5W J CRD20TJ473T
FRONT	R945		nsp	nsp	RES.	47K OHM 1/5W J CRD20TJ473T
FRONT	R946		nsp	nsp	RES.	47K OHM 1/5W J CRD20TJ473T
FRONT	R947		nsp	nsp	RES.	47K OHM 1/5W J CRD20TJ473T
FRONT	R948		nsp	nsp	RES.	47K OHM 1/5W J CRD20TJ473T
FRONT	R949		nsp	nsp	RES.	47K OHM 1/5W J CRD20TJ473T
FRONT	R950		nsp	nsp	RES.	47K OHM 1/5W J CRD20TJ473T
FRONT	R951		nsp	nsp	RES.	47K OHM 1/5W J CRD20TJ473T
FRONT	R952		nsp	nsp	RES.	47K OHM 1/5W J CRD20TJ473T
FRONT	R953		nsp	nsp	RES.	47K OHM 1/5W J CRD20TJ473T
FRONT	R971		nsp	nsp	RES.	270 OHM 1/5W J CRD20TJ271T
FRONT	R972		nsp	nsp	RES.	220 OHM 1/5W J CRD20TJ221T
FRONT	R973		nsp	nsp	RES.	47K OHM 1/5W J CRD20TJ473T
FRONT	R974		nsp	nsp	RES.	220 OHM 1/5W J CRD20TJ221T
FRONT	R975		nsp	nsp	RES.	220 OHM 1/5W J CRD20TJ221T
FRONT	R976		nsp	nsp	RES.	47K OHM 1/5W J CRD20TJ473T
FRONT	R977		nsp	nsp	RES.	4.7K OHM 1/5W J CRD20TJ472T
FRONT	R978		nsp	nsp	RES.	470 OHM 1/5W J CRD20TJ471T
FRONT	R981		nsp	nsp	RES.	10K OHM 1/5W J CRD20TJ103T
FRONT	R982		nsp	nsp	RES.	2.2K OHM 1/5W J CRD20TJ222T
FRONT	R984		nsp	nsp	RES.	2.2K OHM 1/5W J CRD20TJ222T
FRONT	R985		nsp	nsp	RES.	2.2K OHM 1/5W J CRD20TJ222T
FRONT	R986		nsp	nsp	RES.	12K OHM 1/5W J CRD20TJ123T
FRONT	R987		nsp	nsp	RES.	10K OHM 1/5W J CRD20TJ103T
FRONT	R988		nsp	nsp	RES.	10K OHM 1/5W J CRD20TJ103T
FRONT	R989		nsp	nsp	RES.	150 OHM 1/5W J CRD20TJ151T
FRONT	RC81		90M-HW100650R	90M-HW100650R	PHOTO UNIT	RPM6936-H4 HRVRPM6936H4
FRONT	SW71		90M-SP001210R	90M-SP001210R	SW	00802-0005 CST1A012ZT
FRONT	SW72		90M-SP001210R	90M-SP001210R	SW	00802-0005 CST1A012ZT
FRONT	SW73		90M-SP001210R	90M-SP001210R	SW	00802-0005 CST1A012ZT
FRONT	SW74		90M-SP001210R	90M-SP001210R	SW	00802-0005 CST1A012ZT
FRONT	SW76		90M-SP001210R	90M-SP001210R	SW	00802-0005 CST1A012ZT
FRONT	SW77		90M-SP001210R	90M-SP001210R	SW	00802-0005 CST1A012ZT
FRONT	SW79		90M-SP001210R	90M-SP001210R	SW	00802-0005 CST1A012ZT
FRONT	SW81		90M-SP001210R	90M-SP001210R	SW	00802-0005 CST1A012ZT
FRONT	SW82		90M-SP001210R	90M-SP001210R	SW	00802-0005 CST1A012ZT
FRONT	SW83		90M-SP001210R	90M-SP001210R	SW	00802-0005 CST1A012ZT
FRONT	SW84		90M-SP001210R	90M-SP001210R	SW	00802-0005 CST1A012ZT
FRONT	SW85		90M-SP001210R	90M-SP001210R	SW	00802-0005 CST1A012ZT
FRONT	SW87		90M-SP001210R	90M-SP001210R	SW	00802-0005 CST1A012ZT
FRONT	SW88		90M-SP001210R	90M-SP001210R	SW	00802-0005 CST1A012ZT
FRONT	SW89		90M-SP001210R	90M-SP001210R	SW	00802-0005 CST1A012ZT
FRONT	SW90		90M-SP001210R	90M-SP001210R	SW	00802-0005 CST1A012ZT
FRONT	SW91		90M-SP001210R	90M-SP001210R	SW	00802-0005 CST1A012ZT
FRONT	SW92		90M-SP001210R	90M-SP001210R	SW	00802-0005 CST1A012ZT
FRONT	SW94		90M-SP001210R	90M-SP001210R	SW	00802-0005 CST1A012ZT
FRONT	SW95		90M-SP001210R	90M-SP001210R	SW	00802-0005 CST1A012ZT
FRONT	SW96		90M-SP001210R	90M-SP001210R	SW	00802-0005 CST1A012ZT
					<b>H/P PCB (CUP11769-4)</b>	
H/P	BN17		nsp	nsp	CORD	CWB1C905370EN

NOTE : "nsp" PART IS LISTED FOR REFERENCE ONLY, MARANTZ WILL NOT SUPPLY THESE PARTS.

P.C.B. NAME	POS. NO.	VERS. COLOR	PART NO. (FOR EUR)	PART NO. (MJI)	PART NAME	DESCRIPTION
H/P	C874		nsp	nsp	CER. CAP.	100PF 50V KB CCKT1H101KB
H/P	C875		nsp	nsp	CER. CAP.	100PF 50V KB CCKT1H101KB
H/P	C876		nsp	nsp	CER. CAP.	0.1UF 50V Z HCBS1H104ZFT
H/P	JK81		90M-YT003160R	90M-YT003160R	TERMINAL	CJJ2E020Z
H/P	JW12		nsp	nsp	CORD	CWB1C906150EN
H/P	JW22		nsp	nsp	CORD	CWE8102050RV
H/P	R846		nsp	nsp	RES.	4.7K OHM 1/5W J CRD20TJ472T
H/P	R847		nsp	nsp	RES.	470 OHM 1/5W J CRD20TJ471T
					<b>INPUT PCB (CUP11761)</b>	
INPUT	BN11		nsp	nsp	CORD	CWB1B907230EN
INPUT	BN19		nsp	nsp	CORD	CWB1B904150EN
INPUT	BN30		nsp	nsp	CORD	CWB1C912150EN
INPUT	BN32	/A1B	nsp	nsp	CORD	CWB1B903100EN
INPUT	BN32	/A1S	nsp	nsp	CORD	CWB1B903100EN
INPUT	BN32	/F1N	nsp	nsp	CORD	CWB1B903250EN
INPUT	BN32	/L1G	nsp	nsp	CORD	CWB1B903100EN
INPUT	BN32	/N1B	nsp	nsp	CORD	CWB1B903100EN
INPUT	BN32	/N1G	nsp	nsp	CORD	CWB1B903100EN
INPUT	BN32	/N1S	nsp	nsp	CORD	CWB1B903100EN
INPUT	BN32	/U1B	nsp	nsp	CORD	CWB1B903100EN
INPUT	BN47		nsp	nsp	CORD	CWB1C906100EN
INPUT	C201		nsp	nsp	CER. CAP.	470PF 50V KB CCKT1H471KB
INPUT	C202		nsp	nsp	CER. CAP.	470PF 50V KB CCKT1H471KB
INPUT	C203		nsp	nsp	CER. CAP.	470PF 50V KB CCKT1H471KB
INPUT	C204		nsp	nsp	CER. CAP.	470PF 50V KB CCKT1H471KB
INPUT	C205		nsp	nsp	CER. CAP.	470PF 50V KB CCKT1H471KB
INPUT	C206		nsp	nsp	CER. CAP.	470PF 50V KB CCKT1H471KB
INPUT	C207		nsp	nsp	CER. CAP.	470PF 50V KB CCKT1H471KB
INPUT	C208		nsp	nsp	CER. CAP.	470PF 50V KB CCKT1H471KB
INPUT	C209		nsp	nsp	CER. CAP.	470PF 50V KB CCKT1H471KB
INPUT	C210		nsp	nsp	CER. CAP.	470PF 50V KB CCKT1H471KB
INPUT	C211		nsp	nsp	CER. CAP.	470PF 50V KB CCKT1H471KB
INPUT	C212		nsp	nsp	CER. CAP.	470PF 50V KB CCKT1H471KB
INPUT	C213		nsp	nsp	CER. CAP.	470PF 50V KB CCKT1H471KB
INPUT	C214		nsp	nsp	CER. CAP.	470PF 50V KB CCKT1H471KB
INPUT	C215		nsp	nsp	CER. CAP.	470PF 50V KB CCKT1H471KB
INPUT	C216		nsp	nsp	CER. CAP.	470PF 50V KB CCKT1H471KB
INPUT	C217		nsp	nsp	CER. CAP.	470PF 50V KB CCKT1H471KB
INPUT	C218		nsp	nsp	CER. CAP.	470PF 50V KB CCKT1H471KB
INPUT	C219		nsp	nsp	CER. CAP.	470PF 50V KB CCKT1H471KB
INPUT	C220		nsp	nsp	CER. CAP.	470PF 50V KB CCKT1H471KB
INPUT	C221		nsp	nsp	CER. CAP.	470PF 50V KB CCKT1H471KB
INPUT	C222		nsp	nsp	CER. CAP.	470PF 50V KB CCKT1H471KB
INPUT	C223		nsp	00MOA10605020	ELECT CAP.	10UF 50V HCEA1HH100T
INPUT	C224		nsp	00MOA10605020	ELECT CAP.	10UF 50V HCEA1HH100T
INPUT	C225		nsp	00MOA10605020	ELECT CAP.	10UF 50V HCEA1HH100T
INPUT	C226		nsp	00MOA10605020	ELECT CAP.	10UF 50V HCEA1HH100T
INPUT	C227		nsp	00MOA10605020	ELECT CAP.	10UF 50V HCEA1HH100T
INPUT	C228		nsp	00MOA10605020	ELECT CAP.	10UF 50V HCEA1HH100T
INPUT	C229		nsp	00MOA10605020	ELECT CAP.	10UF 50V HCEA1HH100T
INPUT	C230		nsp	00MOA10605020	ELECT CAP.	10UF 50V HCEA1HH100T
INPUT	C231		nsp	nsp	CER. CAP.	470PF 50V KB CCKT1H471KB
INPUT	C232		nsp	nsp	CER. CAP.	470PF 50V KB CCKT1H471KB
INPUT	C233		nsp	nsp	CER. CAP.	470PF 50V KB CCKT1H471KB
INPUT	C234		nsp	nsp	CER. CAP.	470PF 50V KB CCKT1H471KB
INPUT	C235		nsp	nsp	CER. CAP.	470PF 50V KB CCKT1H471KB
INPUT	C236		nsp	nsp	CER. CAP.	470PF 50V KB CCKT1H471KB
INPUT	C237		nsp	nsp	CER. CAP.	470PF 50V KB CCKT1H471KB
INPUT	C238		nsp	90M-OA000110R	ELECT CAP.	HCEA1HAHS100T
INPUT	C239		nsp	90M-OA000110R	ELECT CAP.	HCEA1HAHS100T
INPUT	C240		nsp	90M-OA000110R	ELECT CAP.	HCEA1HAHS100T
INPUT	C241		nsp	90M-OA000110R	ELECT CAP.	HCEA1HAHS100T
INPUT	C242		nsp	90M-OA000110R	ELECT CAP.	HCEA1HAHS100T
INPUT	C243		nsp	90M-OA000110R	ELECT CAP.	HCEA1HAHS100T
INPUT	C244		nsp	90M-OA000110R	ELECT CAP.	HCEA1HAHS100T
INPUT	C245		nsp	nsp	CER. CAP.	50V 0.1UF CCKT1H104ZF

NOTE : "nsp" PART IS LISTED FOR REFERENCE ONLY, MARANTZ WILL NOT SUPPLY THESE PARTS.

P.C.B. NAME	POS. NO.	VERS. COLOR	PART NO. (FOR EUR)	PART NO. (MJI)	PART NAME	DESCRIPTION	
INPUT	C246		nsp	nsp	CER. CAP.	50V 0.1UF	CCKT1H104ZF
INPUT	C247		nsp	nsp	CER. CAP.	50V 0.1UF	CCKT1H104ZF
INPUT	C248		nsp	nsp	CER. CAP.	50V 0.1UF	CCKT1H104ZF
INPUT	C249		nsp	nsp	CER. CAP.	50V 0.1UF	CCKT1H104ZF
INPUT	C250		nsp	nsp	CER. CAP.	50V 0.1UF	CCKT1H104ZF
INPUT	C251		nsp	nsp	CER. CAP.	50V 0.1UF	CCKT1H104ZF
INPUT	C252		nsp	nsp	CER. CAP.	50V 0.1UF	CCKT1H104ZF
INPUT	C254		nsp	90M-OA000110R	ELECT CAP.		HCEA1HAHS100T
INPUT	C256		nsp	90M-OA000110R	ELECT CAP.		HCEA1HAHS100T
INPUT	C258		nsp	90M-OA000110R	ELECT CAP.		HCEA1HAHS100T
INPUT	C260		nsp	90M-OA000110R	ELECT CAP.		HCEA1HAHS100T
INPUT	C262		nsp	90M-OA000110R	ELECT CAP.		HCEA1HAHS100T
INPUT	C264		nsp	90M-OA000110R	ELECT CAP.		HCEA1HAHS100T
INPUT	C266		nsp	90M-OA000110R	ELECT CAP.		HCEA1HAHS100T
INPUT	C267		nsp	nsp	CER. CAP.	50V 0.1UF	CCKT1H104ZF
INPUT	C268		nsp	nsp	CER. CAP.	50V 0.1UF	CCKT1H104ZF
INPUT	C269		nsp	nsp	CER. CAP.	100PF 50V KB	CCKT1H101KB
INPUT	C270		nsp	nsp	CER. CAP.	50V 0.1UF	CCKT1H104ZF
INPUT	C271		nsp	nsp	CER. CAP.	50V 0.1UF	CCKT1H104ZF
INPUT	C272		nsp	nsp	CER. CAP.	100PF 50V KB	CCKT1H101KB
INPUT	C273		nsp	nsp	CER. CAP.	50V 0.1UF	CCKT1H104ZF
INPUT	C274		nsp	nsp	CER. CAP.	50V 0.1UF	CCKT1H104ZF
INPUT	C275		nsp	nsp	CER. CAP.	50V 0.1UF	CCKT1H104ZF
INPUT	C276		nsp	nsp	CER. CAP.	50V 0.1UF	CCKT1H104ZF
INPUT	C281		nsp	90M-OA000110R	ELECT CAP.		HCEA1HAHS100T
INPUT	C282		nsp	90M-OA000110R	ELECT CAP.		HCEA1HAHS100T
INPUT	C283		nsp	90M-OA000110R	ELECT CAP.		HCEA1HAHS100T
INPUT	C284		nsp	90M-OA000110R	ELECT CAP.		HCEA1HAHS100T
INPUT	C285		nsp	90M-OA000110R	ELECT CAP.		HCEA1HAHS100T
INPUT	C286		nsp	90M-OA000110R	ELECT CAP.		HCEA1HAHS100T
INPUT	C287		nsp	90M-OA000110R	ELECT CAP.		HCEA1HAHS100T
INPUT	C288		nsp	90M-OA000110R	ELECT CAP.		HCEA1HAHS100T
INPUT	C289		nsp	nsp	CER. CAP.	50V 0.1UF	CCKT1H104ZF
INPUT	C290		nsp	nsp	CER. CAP.	50V 0.1UF	CCKT1H104ZF
INPUT	C291		nsp	nsp	CER. CAP.	100PF 50V KB	CCKT1H101KB
INPUT	C311		nsp	00MOA10605020	ELECT CAP.	10UF 50V	HCEA1HH100T
INPUT	C312		nsp	nsp	CER. CAP.	10PF 50V DC	CCCT1H100DC
INPUT	C324		nsp	nsp	CER. CAP.	50V 0.1UF	CCKT1H104ZF
INPUT	C325		nsp	nsp	CER. CAP.	50V 0.1UF	CCKT1H104ZF
INPUT	C326		nsp	00MOA10605020	ELECT CAP.	10UF 50V	HCEA1HH100T
INPUT	C337		nsp	00MOA22605020	ELECT CAP.	22UF 50V	HCEA1HH220T
INPUT	C338		nsp	00MOA22605020	ELECT CAP.	22UF 50V	HCEA1HH220T
INPUT	C339		nsp	nsp	CER. CAP.	33PF 50V JC	CCCT1H330JC
INPUT	C340		nsp	nsp	CER. CAP.	50V 0.1UF	CCKT1H104ZF
INPUT	C341		nsp	nsp	CER. CAP.	50V 0.1UF	CCKT1H104ZF
INPUT	C343		nsp	nsp	CER. CAP.	22PF 50V JC	CCCT1H220JC
INPUT	C344		nsp	nsp	CER. CAP.	33PF 50V JC	CCCT1H330JC
INPUT	C345		nsp	00MOA22605020	ELECT CAP.	22UF 50V	HCEA1HH220T
INPUT	C346		nsp	nsp	CER. CAP.	50V 0.1UF	CCKT1H104ZF
INPUT	C347		nsp	nsp	CER. CAP.	50V 0.1UF	CCKT1H104ZF
INPUT	C348		nsp	nsp	CER. CAP.	22PF 50V JC	CCCT1H220JC
INPUT	C349		nsp	00MOA22605020	ELECT CAP.	22UF 50V	HCEA1HH220T
INPUT	C354		nsp	nsp	CER. CAP.	100PF 50V KB	CCKT1H101KB
INPUT	C355		nsp	nsp	CER. CAP.	100PF 50V KB	CCKT1H101KB
INPUT	C356		nsp	nsp	CER. CAP.	100PF 50V KB	CCKT1H101KB
INPUT	C357		nsp	nsp	CER. CAP.	100PF 50V KB	CCKT1H101KB
INPUT	C364		nsp	nsp	CER. CAP.	50V 0.1UF	CCKT1H104ZF
INPUT	C365		nsp	nsp	CER. CAP.	50V 0.1UF	CCKT1H104ZF
INPUT	C366		nsp	nsp	CER. CAP.	50V 0.1UF	CCKT1H104ZF
INPUT	C368		nsp	nsp	CER. CAP.	50V 0.1UF	CCKT1H104ZF
INPUT	C369		nsp	00MOA10702520	ELECT CAP.	100UF 25V	HCEA1EH101T
INPUT	C370		nsp	00MOA10702520	ELECT CAP.	100UF 25V	HCEA1EH101T
INPUT	C371		nsp	00MOA10701620	ELECT CAP.	100UF 16V	HCEA1CH101T
INPUT	C373		nsp	00MOA10701620	ELECT CAP.	100UF 16V	HCEA1CH101T
INPUT	C377		nsp	nsp	CER. CAP.	470PF 50V KB	CCKT1H471KB
INPUT	C378		nsp	nsp	CER. CAP.	470PF 50V KB	CCKT1H471KB

NOTE : "nsp" PART IS LISTED FOR REFERENCE ONLY, MARANTZ WILL NOT SUPPLY THESE PARTS.

P.C.B. NAME	POS. NO.	VERS. COLOR	PART NO. (FOR EUR)	PART NO. (MJI)	PART NAME	DESCRIPTION	
INPUT	C379		nsp	00MOA10605020	ELECT CAP.	10UF 50V	HCEA1HH100T
INPUT	C380		nsp	00MOA10605020	ELECT CAP.	10UF 50V	HCEA1HH100T
INPUT	C381		nsp	nsp	CER. CAP.	50V 0.1UF	CCKT1H104ZF
INPUT	C382		nsp	nsp	CER. CAP.	50V 0.1UF	CCKT1H104ZF
INPUT	C386		nsp	nsp	CER. CAP.	0.01UF 50V ZF	CCKT1H103ZF
INPUT	C387		nsp	nsp	CER. CAP.	0.01UF 50V ZF	CCKT1H103ZF
INPUT	C389		nsp	nsp	CER. CAP.	0.01UF 50V ZF	CCKT1H103ZF
INPUT	C390		nsp	nsp	CER. CAP.	0.01UF 50V ZF	CCKT1H103ZF
INPUT	C403		nsp	nsp	CER. CAP.	470PF 50V KB	CCKT1H471KB
INPUT	C404		nsp	90M-OA000110R	ELECT CAP.		HCEA1HAHS100T
INPUT	C406		nsp	90M-OA000110R	ELECT CAP.		HCEA1HAHS100T
INPUT	C407		nsp	nsp	CER. CAP.	50V 0.1UF	CCKT1H104ZF
INPUT	C408		nsp	00MOA10605020	ELECT CAP.	10UF 50V	HCEA1HH100T
INPUT	C409		nsp	00MOA10605020	ELECT CAP.	10UF 50V	HCEA1HH100T
INPUT	C412		nsp	00MOA10605020	ELECT CAP.	10UF 50V	HCEA1HH100T
INPUT	C413		nsp	00MOA10605020	ELECT CAP.	10UF 50V	HCEA1HH100T
INPUT	C414		nsp	nsp	CER. CAP.	50V 0.1UF	CCKT1H104ZF
INPUT	C434		nsp	nsp	CER. CAP.	100PF 50V KB	CCKT1H101KB
INPUT	C435		nsp	nsp	CER. CAP.	50V 0.1UF	CCKT1H104ZF
INPUT	C436		nsp	nsp	CER. CAP.	50V 0.1UF	CCKT1H104ZF
INPUT	C437		nsp	00MOA22605020	ELECT CAP.	22UF 50V	HCEA1HH220T
INPUT	C438		nsp	00MOA22605020	ELECT CAP.	22UF 50V	HCEA1HH220T
INPUT	C441		nsp	00MOA47602520	ELECT CAP.	47UF 25V	HCEA1EH470T
INPUT	C442		nsp	00MOA47602520	ELECT CAP.	47UF 25V	HCEA1EH470T
INPUT	C443		nsp	nsp	CER. CAP.	50V 0.1UF	CCKT1H104ZF
INPUT	C444		nsp	nsp	CER. CAP.	50V 0.1UF	CCKT1H104ZF
INPUT	C445		nsp	00MOA22605020	ELECT CAP.	22UF 50V	HCEA1HH220T
INPUT	C446		nsp	00MOA22605020	ELECT CAP.	22UF 50V	HCEA1HH220T
INPUT	C449		nsp	00MOA47602520	ELECT CAP.	47UF 25V	HCEA1EH470T
INPUT	C450		nsp	00MOA47602520	ELECT CAP.	47UF 25V	HCEA1EH470T
INPUT	C451		nsp	nsp	CER. CAP.	50V 0.1UF	CCKT1H104ZF
INPUT	C452		nsp	nsp	CER. CAP.	50V 0.1UF	CCKT1H104ZF
INPUT	C453		nsp	00MOA22605020	ELECT CAP.	22UF 50V	HCEA1HH220T
INPUT	C454		nsp	00MOA22605020	ELECT CAP.	22UF 50V	HCEA1HH220T
INPUT	C457		nsp	00MOA47602520	ELECT CAP.	47UF 25V	HCEA1EH470T
INPUT	C458		nsp	00MOA47602520	ELECT CAP.	47UF 25V	HCEA1EH470T
INPUT	C459		nsp	nsp	CER. CAP.	50V 0.1UF	CCKT1H104ZF
INPUT	C460		nsp	nsp	CER. CAP.	50V 0.1UF	CCKT1H104ZF
INPUT	C461		nsp	00MOA22605020	ELECT CAP.	22UF 50V	HCEA1HH220T
INPUT	C462		nsp	00MOA22605020	ELECT CAP.	22UF 50V	HCEA1HH220T
INPUT	C465		nsp	00MOA47602520	ELECT CAP.	47UF 25V	HCEA1EH470T
INPUT	C466		nsp	00MOA47602520	ELECT CAP.	47UF 25V	HCEA1EH470T
INPUT	C467		nsp	nsp	CER. CAP.	50V 0.1UF	CCKT1H104ZF
INPUT	C468		nsp	nsp	CER. CAP.	50V 0.1UF	CCKT1H104ZF
INPUT	C469		nsp	00MOA22605020	ELECT CAP.	22UF 50V	HCEA1HH220T
INPUT	C470		nsp	00MOA22605020	ELECT CAP.	22UF 50V	HCEA1HH220T
INPUT	C473		nsp	00MOA47602520	ELECT CAP.	47UF 25V	HCEA1EH470T
INPUT	C474		nsp	00MOA47602520	ELECT CAP.	47UF 25V	HCEA1EH470T
INPUT	CN27		nsp	nsp	JACK	GF120-17S-TS	KJP17GA115ZG
INPUT	CN48		nsp	nsp	JACK		CJP23GA117ZY
INPUT	ET21		nsp	nsp	TERMINAL		CNE75
INPUT	IC21		00MHC10470050	00MHC10470050	IC	TC9164AN	HVITC9164AN
INPUT	IC22		00MHC10468050	00MHC10468050	IC	TC9273N	HVITC9273N
INPUT	IC23		00MHC10469050	00MHC10469050	IC	TC9162AN	HVITC9162AN
INPUT	IC28		00MHC10053090	00MHC10053090	IC	NJM2068DD	HVINJM2068DD
INPUT	IC29		00MHC10053090	00MHC10053090	IC	NJM2068DD	HVINJM2068DD
INPUT	IC30		00MHC10053090	00MHC10053090	IC	NJM2068DD	HVINJM2068DD
INPUT	IC31		00MHC10053090	00MHC10053090	IC	NJM2068DD	HVINJM2068DD
INPUT	IC32		00MHC10053090	00MHC10053090	IC	NJM2068DD	HVINJM2068DD
INPUT	IC33		00MHC10053090	00MHC10053090	IC	NJM2068DD	HVINJM2068DD
INPUT	IC35		00MHC10053090	00MHC10053090	IC	NJM2068DD	HVINJM2068DD
INPUT	IC37		00MHC10053090	00MHC10053090	IC	NJM2068DD	HVINJM2068DD
INPUT	IC38		00MHC10468050	00MHC10468050	IC	TC9273N	HVITC9273N
INPUT	IC39		00MHC10053090	00MHC10053090	IC	NJM2068DD	HVINJM2068DD
INPUT	IC40		00MHC10053090	00MHC10053090	IC	NJM2068DD	HVINJM2068DD
INPUT	IC41		00MHC10053090	00MHC10053090	IC	NJM2068DD	HVINJM2068DD

NOTE : "nsp" PART IS LISTED FOR REFERENCE ONLY, MARANTZ WILL NOT SUPPLY THESE PARTS.

P.C.B. NAME	POS. NO.	VERS. COLOR	PART NO. (FOR EUR)	PART NO. (MJI)	PART NAME	DESCRIPTION
INPUT	IC42		00MHC10053090	00MHC10053090	IC	NJM2068DD HVINJM2068DD
INPUT	IC43		00MHC10053090	00MHC10053090	IC	NJM2068DD HVINJM2068DD
INPUT	IC44		00MHC10053090	00MHC10053090	IC	NJM2068DD HVINJM2068DD
INPUT	IC45		00MHC10053090	00MHC10053090	IC	NJM2068DD HVINJM2068DD
INPUT	J201		nsp	nsp	CONN. CORD	SN95/PB5 , 0.6 C3A206
INPUT	J202		nsp	nsp	CONN. CORD	SN95/PB5 , 0.6 C3A206
INPUT	J203		nsp	nsp	CONN. CORD	SN95/PB5 , 0.6 C3A206
INPUT	J204		nsp	nsp	CONN. CORD	SN95/PB5 , 0.6 C3A206
INPUT	J205		nsp	nsp	CONN. CORD	SN95/PB5 , 0.6 C3A206
INPUT	J206		nsp	nsp	CONN. CORD	SN95/PB5 , 0.6 C3A206
INPUT	J207		nsp	nsp	CONN. CORD	SN95/PB5 , 0.6 C3A206
INPUT	J208		nsp	nsp	CONN. CORD	SN95/PB5 , 0.6 C3A206
INPUT	J209		nsp	nsp	CONN. CORD	SN95/PB5 , 0.6 C3A206
INPUT	J210		nsp	nsp	CONN. CORD	SN95/PB5 , 0.6 C3A206
INPUT	J211		nsp	nsp	CONN. CORD	SN95/PB5 , 0.6 C3A206
INPUT	J212		nsp	nsp	CONN. CORD	SN95/PB5 , 0.6 C3A206
INPUT	J213		nsp	nsp	CONN. CORD	SN95/PB5 , 0.6 C3A206
INPUT	J214		nsp	nsp	CONN. CORD	SN95/PB5 , 0.6 C3A206
INPUT	J215		nsp	nsp	CONN. CORD	SN95/PB5 , 0.6 C3A206
INPUT	J216		nsp	nsp	CONN. CORD	SN95/PB5 , 0.6 C3A206
INPUT	J217		nsp	nsp	CONN. CORD	SN95/PB5 , 0.6 C3A206
INPUT	J218		nsp	nsp	CONN. CORD	SN95/PB5 , 0.6 C3A206
INPUT	J219		nsp	nsp	CONN. CORD	SN95/PB5 , 0.6 C3A206
INPUT	J220		nsp	nsp	CONN. CORD	SN95/PB5 , 0.6 C3A206
INPUT	J221		nsp	nsp	CONN. CORD	SN95/PB5 , 0.6 C3A206
INPUT	J222		nsp	nsp	CONN. CORD	SN95/PB5 , 0.6 C3A206
INPUT	J223		nsp	nsp	CONN. CORD	SN95/PB5 , 0.6 C3A206
INPUT	J224		nsp	nsp	CONN. CORD	SN95/PB5 , 0.6 C3A206
INPUT	J225		nsp	nsp	CONN. CORD	SN95/PB5 , 0.6 C3A206
INPUT	J226		nsp	nsp	CONN. CORD	SN95/PB5 , 0.6 C3A206
INPUT	J227		nsp	nsp	CONN. CORD	SN95/PB5 , 0.6 C3A206
INPUT	J228		nsp	nsp	CONN. CORD	SN95/PB5 , 0.6 C3A206
INPUT	J229		nsp	nsp	CONN. CORD	SN95/PB5 , 0.6 C3A206
INPUT	J230		nsp	nsp	CONN. CORD	SN95/PB5 , 0.6 C3A206
INPUT	J231		nsp	nsp	CONN. CORD	SN95/PB5 , 0.6 C3A206
INPUT	J232		nsp	nsp	CONN. CORD	SN95/PB5 , 0.6 C3A206
INPUT	J233		nsp	nsp	CONN. CORD	SN95/PB5 , 0.6 C3A206
INPUT	J234		nsp	nsp	CONN. CORD	SN95/PB5 , 0.6 C3A206
INPUT	J235		nsp	nsp	CONN. CORD	SN95/PB5 , 0.6 C3A206
INPUT	J236		nsp	nsp	CONN. CORD	SN95/PB5 , 0.6 C3A206
INPUT	J237		nsp	nsp	CONN. CORD	SN95/PB5 , 0.6 C3A206
INPUT	J238		nsp	nsp	CONN. CORD	SN95/PB5 , 0.6 C3A206
INPUT	J239		nsp	nsp	CONN. CORD	SN95/PB5 , 0.6 C3A206
INPUT	J240		nsp	nsp	CONN. CORD	SN95/PB5 , 0.6 C3A206
INPUT	J241		nsp	nsp	CONN. CORD	SN95/PB5 , 0.6 C3A206
INPUT	J242		nsp	nsp	CONN. CORD	SN95/PB5 , 0.6 C3A206
INPUT	J243		nsp	nsp	CONN. CORD	SN95/PB5 , 0.6 C3A206
INPUT	J244		nsp	nsp	CONN. CORD	SN95/PB5 , 0.6 C3A206
INPUT	J245		nsp	nsp	CONN. CORD	SN95/PB5 , 0.6 C3A206
INPUT	J246		nsp	nsp	CONN. CORD	SN95/PB5 , 0.6 C3A206
INPUT	J247		nsp	nsp	CONN. CORD	SN95/PB5 , 0.6 C3A206
INPUT	J248		nsp	nsp	CONN. CORD	SN95/PB5 , 0.6 C3A206
INPUT	J249		nsp	nsp	CONN. CORD	SN95/PB5 , 0.6 C3A206
INPUT	J250		nsp	nsp	CONN. CORD	SN95/PB5 , 0.6 C3A206
INPUT	J251		nsp	nsp	CONN. CORD	SN95/PB5 , 0.6 C3A206
INPUT	J252		nsp	nsp	CONN. CORD	SN95/PB5 , 0.6 C3A206
INPUT	J253		nsp	nsp	CONN. CORD	SN95/PB5 , 0.6 C3A206
INPUT	J254		nsp	nsp	CONN. CORD	SN95/PB5 , 0.6 C3A206
INPUT	J255		nsp	nsp	CONN. CORD	SN95/PB5 , 0.6 C3A206
INPUT	J256		nsp	nsp	CONN. CORD	SN95/PB5 , 0.6 C3A206
INPUT	J257		nsp	nsp	CONN. CORD	SN95/PB5 , 0.6 C3A206
INPUT	J258		nsp	nsp	CONN. CORD	SN95/PB5 , 0.6 C3A206
INPUT	J259		nsp	nsp	CONN. CORD	SN95/PB5 , 0.6 C3A206
INPUT	J260		nsp	nsp	CONN. CORD	SN95/PB5 , 0.6 C3A206
INPUT	J261		nsp	nsp	CONN. CORD	SN95/PB5 , 0.6 C3A206
INPUT	J262		nsp	nsp	CONN. CORD	SN95/PB5 , 0.6 C3A206

NOTE : "nsp" PART IS LISTED FOR REFERENCE ONLY, MARANTZ WILL NOT SUPPLY THESE PARTS.







P.C.B. NAME	POS. NO.	VERS. COLOR	PART NO. (FOR EUR)	PART NO. (MJI)	PART NAME	DESCRIPTION
INPUT	J415		nsp	nsp	CONN. CORD	SN95/PB5 , 0.6 C3A206
INPUT	J416		nsp	nsp	CONN. CORD	SN95/PB5 , 0.6 C3A206
INPUT	J417		nsp	nsp	CONN. CORD	SN95/PB5 , 0.6 C3A206
INPUT	J418		nsp	nsp	CONN. CORD	SN95/PB5 , 0.6 C3A206
INPUT	J419		nsp	nsp	CONN. CORD	SN95/PB5 , 0.6 C3A206
INPUT	J420		nsp	nsp	CONN. CORD	SN95/PB5 , 0.6 C3A206
INPUT	J421		nsp	nsp	CONN. CORD	SN95/PB5 , 0.6 C3A206
INPUT	J422		nsp	nsp	CONN. CORD	SN95/PB5 , 0.6 C3A206
INPUT	J423		nsp	nsp	CONN. CORD	SN95/PB5 , 0.6 C3A206
INPUT	J424		nsp	nsp	CONN. CORD	SN95/PB5 , 0.6 C3A206
INPUT	J425		nsp	nsp	CONN. CORD	SN95/PB5 , 0.6 C3A206
INPUT	J426		nsp	nsp	CONN. CORD	SN95/PB5 , 0.6 C3A206
INPUT	J427		nsp	nsp	CONN. CORD	SN95/PB5 , 0.6 C3A206
INPUT	J428		nsp	nsp	CONN. CORD	SN95/PB5 , 0.6 C3A206
INPUT	J429		nsp	nsp	CONN. CORD	SN95/PB5 , 0.6 C3A206
INPUT	J430		nsp	nsp	CONN. CORD	SN95/PB5 , 0.6 C3A206
INPUT	J431		nsp	nsp	CONN. CORD	SN95/PB5 , 0.6 C3A206
INPUT	J432		nsp	nsp	CONN. CORD	SN95/PB5 , 0.6 C3A206
INPUT	J433		nsp	nsp	CONN. CORD	SN95/PB5 , 0.6 C3A206
INPUT	J434		nsp	nsp	CONN. CORD	SN95/PB5 , 0.6 C3A206
INPUT	J435		nsp	nsp	CONN. CORD	SN95/PB5 , 0.6 C3A206
INPUT	J436		nsp	nsp	CONN. CORD	SN95/PB5 , 0.6 C3A206
INPUT	J437		nsp	nsp	CONN. CORD	SN95/PB5 , 0.6 C3A206
INPUT	J438		nsp	nsp	CONN. CORD	SN95/PB5 , 0.6 C3A206
INPUT	J439		nsp	nsp	CONN. CORD	SN95/PB5 , 0.6 C3A206
INPUT	J440		nsp	nsp	CONN. CORD	SN95/PB5 , 0.6 C3A206
INPUT	J441		nsp	nsp	CONN. CORD	SN95/PB5 , 0.6 C3A206
INPUT	J442		nsp	nsp	CONN. CORD	SN95/PB5 , 0.6 C3A206
INPUT	J443		nsp	nsp	CONN. CORD	SN95/PB5 , 0.6 C3A206
INPUT	J444		nsp	nsp	CONN. CORD	SN95/PB5 , 0.6 C3A206
INPUT	J445		nsp	nsp	CONN. CORD	SN95/PB5 , 0.6 C3A206
INPUT	J446		nsp	nsp	CONN. CORD	SN95/PB5 , 0.6 C3A206
INPUT	J447		nsp	nsp	CONN. CORD	SN95/PB5 , 0.6 C3A206
INPUT	J448		nsp	nsp	CONN. CORD	SN95/PB5 , 0.6 C3A206
INPUT	JK21		90M-YT003730R	90M-YT003730R	TERMINAL	GOLD. PLATE CJJ4R020Z
INPUT	JK22		90M-YT003730R	90M-YT003730R	TERMINAL	GOLD. PLATE CJJ4R020Z
INPUT	JK23		90M-YT003730R	90M-YT003730R	TERMINAL	GOLD. PLATE CJJ4R020Z
INPUT	JK24		90M-YT003730R	90M-YT003730R	TERMINAL	GOLD. PLATE CJJ4R020Z
INPUT	JK25		90M-YT004350R	90M-YT004350R	TERMINAL	RCA-401DAG-16 CJJ4P055Z
INPUT	JK26		90M-YT004340R	90M-YT004340R	TERMINAL	RCA-401DAG-28 CJJ4P054Z
INPUT	R201		nsp	nsp	RES.	100 OHM 1/5W J CRD20TJ101T
INPUT	R202		nsp	nsp	RES.	100 OHM 1/5W J CRD20TJ101T
INPUT	R203		nsp	nsp	RES.	100 OHM 1/5W J CRD20TJ101T
INPUT	R204		nsp	nsp	RES.	100 OHM 1/5W J CRD20TJ101T
INPUT	R205		nsp	nsp	RES.	100 OHM 1/5W J CRD20TJ101T
INPUT	R206		nsp	nsp	RES.	100 OHM 1/5W J CRD20TJ101T
INPUT	R207		nsp	nsp	RES.	1K OHM 1/5W J CRD20TJ102T
INPUT	R208		nsp	nsp	RES.	1K OHM 1/5W J CRD20TJ102T
INPUT	R209		nsp	nsp	RES.	100 OHM 1/5W J CRD20TJ101T
INPUT	R210		nsp	nsp	RES.	100 OHM 1/5W J CRD20TJ101T
INPUT	R211		nsp	nsp	RES.	1K OHM 1/5W J CRD20TJ102T
INPUT	R212		nsp	nsp	RES.	1K OHM 1/5W J CRD20TJ102T
INPUT	R213		nsp	nsp	RES.	100 OHM 1/5W J CRD20TJ101T
INPUT	R214		nsp	nsp	RES.	100 OHM 1/5W J CRD20TJ101T
INPUT	R215		nsp	nsp	RES.	100 OHM 1/5W J CRD20TJ101T
INPUT	R216		nsp	nsp	RES.	100 OHM 1/5W J CRD20TJ101T
INPUT	R217		nsp	nsp	RES.	1K OHM 1/5W J CRD20TJ102T
INPUT	R218		nsp	nsp	RES.	1K OHM 1/5W J CRD20TJ102T
INPUT	R219		nsp	nsp	RES.	100 OHM 1/5W J CRD20TJ101T
INPUT	R220		nsp	nsp	RES.	100 OHM 1/5W J CRD20TJ101T
INPUT	R221		nsp	nsp	RES.	1K OHM 1/5W J CRD20TJ102T
INPUT	R222		nsp	nsp	RES.	1K OHM 1/5W J CRD20TJ102T
INPUT	R223		nsp	nsp	RES.	82K OHM 1/5W J CRD20TJ823T
INPUT	R224		nsp	nsp	RES.	82K OHM 1/5W J CRD20TJ823T
INPUT	R225		nsp	nsp	RES.	82K OHM 1/5W J CRD20TJ823T
INPUT	R226		nsp	nsp	RES.	82K OHM 1/5W J CRD20TJ823T

NOTE : "nsp" PART IS LISTED FOR REFERENCE ONLY, MARANTZ WILL NOT SUPPLY THESE PARTS.

P.C.B. NAME	POS. NO.	VERS. COLOR	PART NO. (FOR EUR)	PART NO. (MJI)	PART NAME	DESCRIPTION
INPUT	R227		nsp	nsp	RES.	82K OHM 1/5W J CRD20TJ823T
INPUT	R228		nsp	nsp	RES.	82K OHM 1/5W J CRD20TJ823T
INPUT	R229		nsp	nsp	RES.	47K OHM 1/5W J CRD20TJ473T
INPUT	R230		nsp	nsp	RES.	47K OHM 1/5W J CRD20TJ473T
INPUT	R231		nsp	nsp	RES.	82K OHM 1/5W J CRD20TJ823T
INPUT	R232		nsp	nsp	RES.	82K OHM 1/5W J CRD20TJ823T
INPUT	R233		nsp	nsp	RES.	47K OHM 1/5W J CRD20TJ473T
INPUT	R234		nsp	nsp	RES.	47K OHM 1/5W J CRD20TJ473T
INPUT	R235		nsp	nsp	RES.	82K OHM 1/5W J CRD20TJ823T
INPUT	R236		nsp	nsp	RES.	82K OHM 1/5W J CRD20TJ823T
INPUT	R237		nsp	nsp	RES.	82K OHM 1/5W J CRD20TJ823T
INPUT	R238		nsp	nsp	RES.	82K OHM 1/5W J CRD20TJ823T
INPUT	R239		nsp	nsp	RES.	47K OHM 1/5W J CRD20TJ473T
INPUT	R240		nsp	nsp	RES.	47K OHM 1/5W J CRD20TJ473T
INPUT	R241		nsp	nsp	RES.	82K OHM 1/5W J CRD20TJ823T
INPUT	R242		nsp	nsp	RES.	82K OHM 1/5W J CRD20TJ823T
INPUT	R243		nsp	nsp	RES.	47K OHM 1/5W J CRD20TJ473T
INPUT	R244		nsp	nsp	RES.	47K OHM 1/5W J CRD20TJ473T
INPUT	R245		nsp	nsp	RES.	100 OHM 1/5W J CRD20TJ101T
INPUT	R246		nsp	nsp	RES.	100 OHM 1/5W J CRD20TJ101T
INPUT	R247		nsp	nsp	RES.	100 OHM 1/5W J CRD20TJ101T
INPUT	R248		nsp	nsp	RES.	100 OHM 1/5W J CRD20TJ101T
INPUT	R249		nsp	nsp	RES.	100 OHM 1/5W J CRD20TJ101T
INPUT	R250		nsp	nsp	RES.	100 OHM 1/5W J CRD20TJ101T
INPUT	R251		nsp	nsp	RES.	100 OHM 1/5W J CRD20TJ101T
INPUT	R252		nsp	nsp	RES.	47K OHM 1/5W J CRD20TJ473T
INPUT	R253		nsp	nsp	RES.	47K OHM 1/5W J CRD20TJ473T
INPUT	R254		nsp	nsp	RES.	47K OHM 1/5W J CRD20TJ473T
INPUT	R255		nsp	nsp	RES.	47K OHM 1/5W J CRD20TJ473T
INPUT	R256		nsp	nsp	RES.	47K OHM 1/5W J CRD20TJ473T
INPUT	R257		nsp	nsp	RES.	47K OHM 1/5W J CRD20TJ473T
INPUT	R258		nsp	nsp	RES.	47K OHM 1/5W J CRD20TJ473T
INPUT	R266		nsp	nsp	RES.	47K OHM 1/5W J CRD20TJ473T
INPUT	R267		nsp	nsp	RES.	47K OHM 1/5W J CRD20TJ473T
INPUT	R268		nsp	nsp	RES.	47K OHM 1/5W J CRD20TJ473T
INPUT	R269		nsp	nsp	RES.	47K OHM 1/5W J CRD20TJ473T
INPUT	R270		nsp	nsp	RES.	47K OHM 1/5W J CRD20TJ473T
INPUT	R271		nsp	nsp	RES.	47K OHM 1/5W J CRD20TJ473T
INPUT	R272		nsp	nsp	RES.	47K OHM 1/5W J CRD20TJ473T
INPUT	R273		nsp	nsp	RES.	100 OHM 1/5W J CRD20TJ101T
INPUT	R274		nsp	nsp	RES.	100 OHM 1/5W J CRD20TJ101T
INPUT	R275		nsp	nsp	RES.	220 KOHM 1/5W J CRD20TJ224T
INPUT	R276		nsp	nsp	RES.	220 KOHM 1/5W J CRD20TJ224T
INPUT	R277		nsp	nsp	RES.	220 KOHM 1/5W J CRD20TJ224T
INPUT	R278		nsp	nsp	RES.	220 KOHM 1/5W J CRD20TJ224T
INPUT	R279		nsp	nsp	RES.	47K OHM 1/5W J CRD20TJ473T
INPUT	R280		nsp	nsp	RES.	47K OHM 1/5W J CRD20TJ473T
INPUT	R281		nsp	nsp	RES.	47K OHM 1/5W J CRD20TJ473T
INPUT	R282		nsp	nsp	RES.	47K OHM 1/5W J CRD20TJ473T
INPUT	R283		nsp	nsp	RES.	100 OHM 1/5W J CRD20TJ101T
INPUT	R314		nsp	nsp	RES.	47K OHM 1/5W J CRD20TJ473T
INPUT	R315		nsp	nsp	RES.	47K OHM 1/5W J CRD20TJ473T
INPUT	R316		nsp	nsp	CONN. CORD	SN95/PB5 , 0.6 C3A206
INPUT	R317		nsp	nsp	CONN. CORD	SN95/PB5 , 0.6 C3A206
INPUT	R318		nsp	nsp	RES.	47K OHM 1/5W J CRD20TJ473T
INPUT	R319		nsp	nsp	RES.	47K OHM 1/5W J CRD20TJ473T
INPUT	R320		nsp	nsp	RES.	47K OHM 1/5W J CRD20TJ473T
INPUT	R321		nsp	nsp	RES.	47K OHM 1/5W J CRD20TJ473T
INPUT	R324		nsp	nsp	CONN. CORD	SN95/PB5 , 0.6 C3A206
INPUT	R325		nsp	nsp	CONN. CORD	SN95/PB5 , 0.6 C3A206
INPUT	R326		nsp	nsp	RES.	47K OHM 1/5W J CRD20TJ473T
INPUT	R327		nsp	nsp	RES.	47K OHM 1/5W J CRD20TJ473T
INPUT	R328		nsp	nsp	RES.	47K OHM 1/5W J CRD20TJ473T
INPUT	R329		nsp	nsp	RES.	47K OHM 1/5W J CRD20TJ473T
INPUT	R330		nsp	nsp	CONN. CORD	SN95/PB5 , 0.6 C3A206
INPUT	R331		nsp	nsp	CONN. CORD	SN95/PB5 , 0.6 C3A206

NOTE : "nsp" PART IS LISTED FOR REFERENCE ONLY, MARANTZ WILL NOT SUPPLY THESE PARTS.

P.C.B. NAME	POS. NO.	VERS. COLOR	PART NO. (FOR EUR)	PART NO. (MJI)	PART NAME	DESCRIPTION
INPUT	R332		nsp	nsp	RES.	47K OHM 1/5W J CRD20TJ473T
INPUT	R333		nsp	nsp	RES.	47K OHM 1/5W J CRD20TJ473T
INPUT	R334		nsp	nsp	RES.	47K OHM 1/5W J CRD20TJ473T
INPUT	R335		nsp	nsp	RES.	47K OHM 1/5W J CRD20TJ473T
INPUT	R338		nsp	nsp	CONN. CORD	SN95/PB5 , 0.6 C3A206
INPUT	R339		nsp	nsp	CONN. CORD	SN95/PB5 , 0.6 C3A206
INPUT	R340		nsp	nsp	RES.	47K OHM 1/5W J CRD20TJ473T
INPUT	R341		nsp	nsp	RES.	47K OHM 1/5W J CRD20TJ473T
INPUT	R342		nsp	nsp	RES.	47K OHM 1/5W J CRD20TJ473T
INPUT	R343		nsp	nsp	RES.	47K OHM 1/5W J CRD20TJ473T
INPUT	R344		nsp	nsp	CONN. CORD	SN95/PB5 , 0.6 C3A206
INPUT	R345		nsp	nsp	CONN. CORD	SN95/PB5 , 0.6 C3A206
INPUT	R346		nsp	nsp	RES.	47K OHM 1/5W J CRD20TJ473T
INPUT	R347		nsp	nsp	RES.	47K OHM 1/5W J CRD20TJ473T
INPUT	R372		nsp	nsp	RES.	100 OHM 1/5W J CRD20TJ101T
INPUT	R373		nsp	nsp	RES.	100 OHM 1/5W J CRD20TJ101T
INPUT	R402		nsp	nsp	RES.	100 OHM 1/5W J CRD20TJ101T
INPUT	R403		nsp	nsp	RES.	100K OHM 1/5W J CRD20TJ104T
INPUT	R404		nsp	nsp	RES.	100K OHM 1/5W J CRD20TJ104T
INPUT	R405		nsp	nsp	RES.	100K OHM 1/5W J CRD20TJ104T
INPUT	R406		nsp	nsp	RES.	100K OHM 1/5W J CRD20TJ104T
INPUT	R441		nsp	nsp	RES.	100 OHM 1/5W J CRD20TJ101T
INPUT	R442		nsp	nsp	RES.	47K OHM 1/5W J CRD20TJ473T
INPUT	R444		nsp	nsp	RES.	47K OHM 1/5W J CRD20TJ473T
INPUT	R446		nsp	nsp	RES.	100 OHM 1/5W J CRD20TJ101T
INPUT	R447		nsp	nsp	RES.	100 OHM 1/5W J CRD20TJ101T
INPUT	R448		nsp	nsp	RES.	47K OHM 1/5W J CRD20TJ473T
INPUT	R449		nsp	nsp	RES.	47K OHM 1/5W J CRD20TJ473T
INPUT	R513		nsp	nsp	CONN. CORD	SN95/PB5 , 0.6 C3A206
INPUT	R514		nsp	nsp	RES.	10K OHM 1/5W J CRD20TJ103T
INPUT	R517		nsp	nsp	RES.	1K OHM 1/5W J CRD20TJ102T
INPUT	R518		nsp	nsp	RES.	1K OHM 1/5W J CRD20TJ102T
INPUT	R520		nsp	nsp	RES.	100K OHM 1/5W J CRD20TJ104T
INPUT	R521		nsp	nsp	RES.	100K OHM 1/5W J CRD20TJ104T
INPUT	R522		nsp	nsp	RES.	1K OHM 1/5W J CRD20TJ102T
INPUT	R523		nsp	nsp	RES.	2.4K OHM 1/5W J CRD20TJ242T
INPUT	R527		nsp	nsp	RES.	100K OHM 1/5W J CRD20TJ104T
INPUT	R529		nsp	nsp	RES.	10K OHM 1/5W J CRD20TJ103T
INPUT	R530		nsp	nsp	RES.	10K OHM 1/5W J CRD20TJ103T
INPUT	R532		nsp	nsp	RES.	1K OHM 1/5W J CRD20TJ102T
INPUT	R533		nsp	nsp	RES.	10K OHM 1/5W J CRD20TJ103T
INPUT	R534		nsp	nsp	RES.	100K OHM 1/5W J CRD20TJ104T
INPUT	R540		nsp	nsp	CONN. CORD	SN95/PB5 , 0.6 C3A206
INPUT	R541		nsp	nsp	CONN. CORD	SN95/PB5 , 0.6 C3A206
INPUT	R543		nsp	nsp	RES.	1K OHM 1/5W J CRD20TJ102T
INPUT	R544		nsp	nsp	CONN. CORD	SN95/PB5 , 0.6 C3A206
<b>POWER PCB (CUP11763-1)</b>						
POWER	BN61		nsp	nsp	CORD	CWB1C006600EN
POWER	BN65		nsp	nsp	CORD	CWB3F006100UZ
POWER	BN67		nsp	nsp	CORD	CWB1C906600EN
POWER	BN81		nsp	nsp	CORD	CWB1B906150EN
POWER	BN82		nsp	nsp	CORD	CWZSR7400BN82
POWER	C602		90M-OF100370R	90M-OF100370R	FILM CAP	0.022UF 50V J HCQ1H223JZT
POWER	C603		90M-OF100370R	90M-OF100370R	FILM CAP	0.022UF 50V J HCQ1H223JZT
POWER	C604		90M-OF100370R	90M-OF100370R	FILM CAP	0.022UF 50V J HCQ1H223JZT
POWER	C605		90M-OF100370R	90M-OF100370R	FILM CAP	0.022UF 50V J HCQ1H223JZT
POWER	C606		90M-OF100370R	90M-OF100370R	FILM CAP	0.022UF 50V J HCQ1H223JZT
POWER	C611		nsp	nsp	CER. CAP.	1000PF 50V KB CCKT1H102KB
POWER	C612		nsp	nsp	CER. CAP.	1000PF 50V KB CCKT1H102KB
POWER	C613		nsp	nsp	CER. CAP.	1000PF 50V KB CCKT1H102KB
POWER	C614		nsp	nsp	CER. CAP.	1000PF 50V KB CCKT1H102KB
POWER	C615		nsp	nsp	CER. CAP.	1000PF 50V KB CCKT1H102KB
POWER	C622		90M-OF100370R	90M-OF100370R	FILM CAP	0.022UF 50V J HCQ1H223JZT
POWER	C623		90M-OF100370R	90M-OF100370R	FILM CAP	0.022UF 50V J HCQ1H223JZT
POWER	C624		90M-OF100370R	90M-OF100370R	FILM CAP	0.022UF 50V J HCQ1H223JZT
POWER	C625		90M-OF100370R	90M-OF100370R	FILM CAP	0.022UF 50V J HCQ1H223JZT

NOTE : "nsp" PART IS LISTED FOR REFERENCE ONLY, MARANTZ WILL NOT SUPPLY THESE PARTS.

P.C.B. NAME	POS. NO.	VERS. COLOR	PART NO. (FOR EUR)	PART NO. (MJI)	PART NAME	DESCRIPTION	
POWER	C626		90M-OF100370R	90M-OF100370R	FILM CAP	0.022UF 50V J	HCQI1H223JZT
POWER	C633		90M-EX000190R	90M-EX000190R	ELECT CAP.	LAO71VN18000(M)	HCET71VLAO183N
POWER	C634		90M-EX000190R	90M-EX000190R	ELECT CAP.	LAO71VN18000(M)	HCET71VLAO183N
POWER	C638		nsp	00MOA47601640	ELECT CAP.	47UF 16V	HCEA1CH470T
POWER	C639		nsp	nsp	CER. CAP.	1000PF 50V KB	CCKT1H102KB
POWER	C640		nsp	90M-OA000160R	ELECT CAP.		HCEA1VH332E
POWER	C641		nsp	00MOA22803520	ELECT CAP.	2200UF 35V	HCEA1VH222E
POWER	C642		nsp	nsp	CER. CAP.	0.01UF 50V ZF	CCKT1H103ZF
POWER	C644		nsp	nsp	CER. CAP.	0.01UF 50V ZF	CCKT1H103ZF
POWER	C645		nsp	nsp	CER. CAP.	0.01UF 50V ZF	CCKT1H103ZF
POWER	C646		nsp	nsp	CER. CAP.	0.01UF 50V ZF	CCKT1H103ZF
POWER	C647		nsp	nsp	CER. CAP.	0.01UF 50V ZF	CCKT1H103ZF
POWER	C648		nsp	00MOA10702520	ELECT CAP.	100UF 25V	HCEA1EH101T
POWER	C649		nsp	00MOA10702520	ELECT CAP.	100UF 25V	HCEA1EH101T
POWER	C651		nsp	00MOA68801620	ELECT CAP.		HCEA1CH682E
POWER	C652		00MEA10901670	00MEA10901670	ELECT CAP.	10000UF , 16V	HCEA1CH103E
POWER	C653		nsp	00MOA10701620	ELECT CAP.	100UF 16V	HCEA1CH101T
POWER	C654		nsp	00MOA10701620	ELECT CAP.	100UF 16V	HCEA1CH101T
POWER	C655		nsp	nsp	CER. CAP.	50V 0.1UF	CCKT1H104ZF
POWER	C656		nsp	nsp	CER. CAP.	50V 0.1UF	CCKT1H104ZF
POWER	C657		nsp	nsp	CER. CAP.	50V 0.1UF	CCKT1H104ZF
POWER	C658		nsp	nsp	CER. CAP.	50V 0.1UF	CCKT1H104ZF
POWER	C659		nsp	00MOA10710020	ELECT CAP.	100UF 100V	HCEA2AH101E
POWER	C661		nsp	nsp	CER. CAP.	50V 0.1UF	CCKT1H104ZF
POWER	C662		nsp	nsp	CER. CAP.	50V 0.1UF	CCKT1H104ZF
POWER	C663		nsp	nsp	CER. CAP.	50V 0.1UF	CCKT1H104ZF
POWER	C664		nsp	nsp	CER. CAP.	50V 0.1UF	CCKT1H104ZF
POWER	CN62		nsp	nsp	JACK	STRAIGHT, 7PIN	CJP07GA19ZY
POWER	CN63		nsp	nsp	JACK	STRAIGHT, 5PIN	CJP05GA19ZY
POWER	CN64		nsp	nsp	CORD		CWB1B905180EN
POWER	CN65		nsp	nsp	JACK		CJP15GA117ZY
POWER	CN66		nsp	nsp	JACK	STRAIGHT, 4PIN	CJP04GA01ZY
POWER	CN67		nsp	nsp	JACK	A3963WV2-5P	CJP05GA148ZW
POWER	CN68		nsp	nsp	JACK	A3963WV2-5P	CJP05GA148ZW
POWER	CN69		nsp	nsp	JACK		KJP05GA98ZM
POWER	D601		nsp	90M-HD201750R	DIODE	1N4003	KVD1N4003SRT
POWER	D602		nsp	90M-HD201750R	DIODE	1N4003	KVD1N4003SRT
POWER	D603		nsp	90M-HD201750R	DIODE	1N4003	KVD1N4003SRT
POWER	D604		nsp	90M-HD201750R	DIODE	1N4003	KVD1N4003SRT
POWER	D605		nsp	90M-HD201750R	DIODE	1N4003	KVD1N4003SRT
POWER	D606		nsp	90M-HD201750R	DIODE	1N4003	KVD1N4003SRT
POWER	D607		nsp	90M-HD201750R	DIODE	1N4003	KVD1N4003SRT
POWER	D608		nsp	90M-HD201750R	DIODE	1N4003	KVD1N4003SRT
POWER	D609		nsp	90M-HD201750R	DIODE	1N4003	KVD1N4003SRT
POWER	D610		nsp	90M-HD201750R	DIODE	1N4003	KVD1N4003SRT
POWER	D611		nsp	90M-HD201750R	DIODE	1N4003	KVD1N4003SRT
POWER	D612		nsp	90M-HD201750R	DIODE	1N4003	KVD1N4003SRT
POWER	D613		nsp	90M-HD201750R	DIODE	1N4003	KVD1N4003SRT
POWER	D614		nsp	90M-HD201750R	DIODE	1N4003	KVD1N4003SRT
POWER	D615		90M-HD302150R	90M-HD302150R	ZENER DIODE		HVDMTZJ6.8BT
POWER	D616		90M-HD302190R	90M-HD302190R	ZENER DIODE		HVDMTZJ30BT
POWER	D618		nsp	90M-HD201750R	DIODE	1N4003	KVD1N4003SRT
POWER	D619		nsp	90M-HD201750R	DIODE	1N4003	KVD1N4003SRT
POWER	D620		nsp	90M-HD201750R	DIODE	1N4003	KVD1N4003SRT
POWER	D621		nsp	90M-HD201750R	DIODE	1N4003	KVD1N4003SRT
POWER	D623		nsp	90M-HD201750R	DIODE	1N4003	KVD1N4003SRT
POWER	▲D631		90M-HE200340R	90M-HE200340R	DIODE	GBJ804	HVDGBJ804
POWER	ET01		nsp	nsp	TERMINAL		CNE75
POWER	IC09		90M-HC300560R	90M-HC300560R	IC		HVIMC7905C
POWER	IC61		90M-HC300690R	90M-HC300690R	IC REG	KIA278R05PI	HVIKIA278R05PI
POWER	IC62		90M-HC300750R	90M-HC300750R	IC REG	KIA378R05PI	HVIKIA378R05PI
POWER	IC63		90M-HC300480R	90M-HC300480R	IC REG	KA7815-ABTU	HVIMC7815C
POWER	IC64		00MHC3991509F	00MHC3991509F	IC REG	NJM7915FA	HVINJM7915FA
POWER	J596		nsp	nsp	CONN. CORD	SN95/PB5 , 0.6	C3A206
POWER	J597		nsp	nsp	CONN. CORD	SN95/PB5 , 0.6	C3A206
POWER	J598		nsp	nsp	CONN. CORD	SN95/PB5 , 0.6	C3A206

NOTE : "nsp" PART IS LISTED FOR REFERENCE ONLY, MARANTZ WILL NOT SUPPLY THESE PARTS.

P.C.B. NAME	POS. NO.	VERS. COLOR	PART NO. (FOR EUR)	PART NO. (MJ)	PART NAME	DESCRIPTION
POWER	J599		nsp	nsp	CONN. CORD	SN95/PB5 , 0.6 C3A206
POWER	J600		nsp	nsp	CONN. CORD	SN95/PB5 , 0.6 C3A206
POWER	J601		nsp	nsp	CONN. CORD	SN95/PB5 , 0.6 C3A206
POWER	J603		nsp	nsp	CONN. CORD	SN95/PB5 , 0.6 C3A206
POWER	J604		nsp	nsp	CONN. CORD	SN95/PB5 , 0.6 C3A206
POWER	J605		nsp	nsp	CONN. CORD	SN95/PB5 , 0.6 C3A206
POWER	J606		nsp	nsp	CONN. CORD	SN95/PB5 , 0.6 C3A206
POWER	J607		nsp	nsp	CONN. CORD	SN95/PB5 , 0.6 C3A206
POWER	J608		nsp	nsp	CONN. CORD	SN95/PB5 , 0.6 C3A206
POWER	J609		nsp	nsp	CONN. CORD	SN95/PB5 , 0.6 C3A206
POWER	J610		nsp	nsp	CONN. CORD	SN95/PB5 , 0.6 C3A206
POWER	J611		nsp	nsp	CONN. CORD	SN95/PB5 , 0.6 C3A206
POWER	J612		nsp	nsp	CONN. CORD	SN95/PB5 , 0.6 C3A206
POWER	J613		nsp	nsp	CONN. CORD	SN95/PB5 , 0.6 C3A206
POWER	J614		nsp	nsp	CONN. CORD	SN95/PB5 , 0.6 C3A206
POWER	J615		nsp	nsp	CONN. CORD	SN95/PB5 , 0.6 C3A206
POWER	J616		nsp	nsp	CONN. CORD	SN95/PB5 , 0.6 C3A206
POWER	J617		nsp	nsp	CONN. CORD	SN95/PB5 , 0.6 C3A206
POWER	J618		nsp	nsp	CONN. CORD	SN95/PB5 , 0.6 C3A206
POWER	J619		nsp	nsp	CONN. CORD	SN95/PB5 , 0.6 C3A206
POWER	J620		nsp	nsp	CONN. CORD	SN95/PB5 , 0.6 C3A206
POWER	J621		nsp	nsp	CONN. CORD	SN95/PB5 , 0.6 C3A206
POWER	J622		nsp	nsp	CONN. CORD	SN95/PB5 , 0.6 C3A206
POWER	J623		nsp	nsp	CONN. CORD	SN95/PB5 , 0.6 C3A206
POWER	J624		nsp	nsp	CONN. CORD	SN95/PB5 , 0.6 C3A206
POWER	J625		nsp	nsp	CONN. CORD	SN95/PB5 , 0.6 C3A206
POWER	J626		nsp	nsp	CONN. CORD	SN95/PB5 , 0.6 C3A206
POWER	J627		nsp	nsp	CONN. CORD	SN95/PB5 , 0.6 C3A206
POWER	J628		nsp	nsp	CONN. CORD	SN95/PB5 , 0.6 C3A206
POWER	J629		nsp	nsp	CONN. CORD	SN95/PB5 , 0.6 C3A206
POWER	J630		nsp	nsp	CONN. CORD	SN95/PB5 , 0.6 C3A206
POWER	J631		nsp	nsp	CONN. CORD	SN95/PB5 , 0.6 C3A206
POWER	J632		nsp	nsp	CONN. CORD	SN95/PB5 , 0.6 C3A206
POWER	J633		nsp	nsp	CONN. CORD	SN95/PB5 , 0.6 C3A206
POWER	J634		nsp	nsp	CONN. CORD	SN95/PB5 , 0.6 C3A206
POWER	J635		nsp	nsp	CONN. CORD	SN95/PB5 , 0.6 C3A206
POWER	J636		nsp	nsp	CONN. CORD	SN95/PB5 , 0.6 C3A206
POWER	J637		nsp	nsp	CONN. CORD	SN95/PB5 , 0.6 C3A206
POWER	J638		nsp	nsp	CONN. CORD	SN95/PB5 , 0.6 C3A206
POWER	J639		nsp	nsp	CONN. CORD	SN95/PB5 , 0.6 C3A206
POWER	J640		nsp	nsp	CONN. CORD	SN95/PB5 , 0.6 C3A206
POWER	J641		nsp	nsp	CONN. CORD	SN95/PB5 , 0.6 C3A206
POWER	J642		nsp	nsp	CONN. CORD	SN95/PB5 , 0.6 C3A206
POWER	J643		nsp	nsp	CONN. CORD	SN95/PB5 , 0.6 C3A206
POWER	J644		nsp	nsp	CONN. CORD	SN95/PB5 , 0.6 C3A206
POWER	J645		nsp	nsp	CONN. CORD	SN95/PB5 , 0.6 C3A206
POWER	J646		nsp	nsp	CONN. CORD	SN95/PB5 , 0.6 C3A206
POWER	J647		nsp	nsp	CONN. CORD	SN95/PB5 , 0.6 C3A206
POWER	J648		nsp	nsp	CONN. CORD	SN95/PB5 , 0.6 C3A206
POWER	J649		nsp	nsp	CONN. CORD	SN95/PB5 , 0.6 C3A206
POWER	J650		nsp	nsp	CONN. CORD	SN95/PB5 , 0.6 C3A206
POWER	J651		nsp	nsp	CONN. CORD	SN95/PB5 , 0.6 C3A206
POWER	J652		nsp	nsp	CONN. CORD	SN95/PB5 , 0.6 C3A206
POWER	J653		nsp	nsp	CONN. CORD	SN95/PB5 , 0.6 C3A206
POWER	J654		nsp	nsp	CONN. CORD	SN95/PB5 , 0.6 C3A206
POWER	J655		nsp	nsp	CONN. CORD	SN95/PB5 , 0.6 C3A206
POWER	J656		nsp	nsp	CONN. CORD	SN95/PB5 , 0.6 C3A206
POWER	J657		nsp	nsp	CONN. CORD	SN95/PB5 , 0.6 C3A206
POWER	J658		nsp	nsp	CONN. CORD	SN95/PB5 , 0.6 C3A206
POWER	J659		nsp	nsp	CONN. CORD	SN95/PB5 , 0.6 C3A206
POWER	J660		nsp	nsp	CONN. CORD	SN95/PB5 , 0.6 C3A206
POWER	J661		nsp	nsp	CONN. CORD	SN95/PB5 , 0.6 C3A206
POWER	J662		nsp	nsp	CONN. CORD	SN95/PB5 , 0.6 C3A206
POWER	J663		nsp	nsp	CONN. CORD	SN95/PB5 , 0.6 C3A206
POWER	J664		nsp	nsp	CONN. CORD	SN95/PB5 , 0.6 C3A206
POWER	J665		nsp	nsp	CONN. CORD	SN95/PB5 , 0.6 C3A206

NOTE : "nsp" PART IS LISTED FOR REFERENCE ONLY, MARANTZ WILL NOT SUPPLY THESE PARTS.

P.C.B. NAME	POS. NO.	VERS. COLOR	PART NO. (FOR EUR)	PART NO. (MJI)	PART NAME	DESCRIPTION
POWER	J666		nsp	nsp	CONN. CORD	SN95/PB5 , 0.6 C3A206
POWER	J667		nsp	nsp	CONN. CORD	SN95/PB5 , 0.6 C3A206
POWER	J668		nsp	nsp	CONN. CORD	SN95/PB5 , 0.6 C3A206
POWER	J669		nsp	nsp	CONN. CORD	SN95/PB5 , 0.6 C3A206
POWER	J670		nsp	nsp	CONN. CORD	SN95/PB5 , 0.6 C3A206
POWER	J671		nsp	nsp	CONN. CORD	SN95/PB5 , 0.6 C3A206
POWER	J672		nsp	nsp	CONN. CORD	SN95/PB5 , 0.6 C3A206
POWER	J673		nsp	nsp	CONN. CORD	SN95/PB5 , 0.6 C3A206
POWER	J674		nsp	nsp	CONN. CORD	SN95/PB5 , 0.6 C3A206
POWER	J675		nsp	nsp	CONN. CORD	SN95/PB5 , 0.6 C3A206
POWER	J676		nsp	nsp	CONN. CORD	SN95/PB5 , 0.6 C3A206
POWER	J677		nsp	nsp	CONN. CORD	SN95/PB5 , 0.6 C3A206
POWER	J678		nsp	nsp	CONN. CORD	SN95/PB5 , 0.6 C3A206
POWER	J679		nsp	nsp	CONN. CORD	SN95/PB5 , 0.6 C3A206
POWER	J680		nsp	nsp	CONN. CORD	SN95/PB5 , 0.6 C3A206
POWER	J681		nsp	nsp	CONN. CORD	SN95/PB5 , 0.6 C3A206
POWER	J682		nsp	nsp	CONN. CORD	SN95/PB5 , 0.6 C3A206
POWER	J683		nsp	nsp	CONN. CORD	SN95/PB5 , 0.6 C3A206
POWER	J684		nsp	nsp	CONN. CORD	SN95/PB5 , 0.6 C3A206
POWER	J685		nsp	nsp	CONN. CORD	SN95/PB5 , 0.6 C3A206
POWER	J686		nsp	nsp	CONN. CORD	SN95/PB5 , 0.6 C3A206
POWER	J687		nsp	nsp	CONN. CORD	SN95/PB5 , 0.6 C3A206
POWER	J688		nsp	nsp	CONN. CORD	SN95/PB5 , 0.6 C3A206
POWER	J689		nsp	nsp	CONN. CORD	SN95/PB5 , 0.6 C3A206
POWER	J690		nsp	nsp	CONN. CORD	SN95/PB5 , 0.6 C3A206
POWER	J691		nsp	nsp	CONN. CORD	SN95/PB5 , 0.6 C3A206
POWER	J692		nsp	nsp	CONN. CORD	SN95/PB5 , 0.6 C3A206
POWER	J693		nsp	nsp	CONN. CORD	SN95/PB5 , 0.6 C3A206
POWER	J694		nsp	nsp	CONN. CORD	SN95/PB5 , 0.6 C3A206
POWER	J695		nsp	nsp	CONN. CORD	SN95/PB5 , 0.6 C3A206
POWER	J696		nsp	nsp	CONN. CORD	SN95/PB5 , 0.6 C3A206
POWER	JK61		90M-YT003520R	90M-YT003520R	TERMINAL	CJJ5P020Z
POWER	JK62		90M-YT003520R	90M-YT003520R	TERMINAL	CJJ5P020Z
POWER	JK63		90M-YT004090R	90M-YT004090R	TERMINAL	JB-602A-11 CJJ5R010Z
POWER	Q601		90M-HT600040R	90M-HT600040R	TRS.	HVTKTA1267YT
POWER	Q602		90M-HT600040R	90M-HT600040R	TRS.	HVTKTA1267YT
POWER	Q603		90M-HT600040R	90M-HT600040R	TRS.	HVTKTA1267YT
POWER	Q604		90M-HT600040R	90M-HT600040R	TRS.	HVTKTA1267YT
POWER	Q606		90M-HT600040R	90M-HT600040R	TRS.	HVTKTA1267YT
POWER	Q607		00MBA20001000	00MBA20001000	TRS.	KRC102M HVTKRC102MT
POWER	Q608		00MBA20001000	00MBA20001000	TRS.	KRC102M HVTKRC102MT
POWER	Q609		00MBA20001000	00MBA20001000	TRS.	KRC102M HVTKRC102MT
POWER	Q610		00MBA20001000	00MBA20001000	TRS.	KRC102M HVTKRC102MT
POWER	Q611		00MBA20001000	00MBA20001000	TRS.	KRC102M HVTKRC102MT
POWER	Q612		90M-HT600040R	90M-HT600040R	TRS.	HVTKTA1267YT
POWER	Q613		90M-HT800050R	90M-HT800050R	TRS.	HVTKTC3198YT
POWER	Q614		90M-HT800050R	90M-HT800050R	TRS.	HVTKTC3198YT
POWER	Q615		90M-HT600040R	90M-HT600040R	TRS.	HVTKTA1267YT
POWER	Q616		00MBA20001000	00MBA20001000	TRS.	KRC102M HVTKRC102MT
POWER	R601		nsp	nsp	RES.	390 OHM 1W J KRG1SANJ391RT
POWER	R602		nsp	nsp	RES.	470 OHM 1W J KRG1SANJ471RT
POWER	R603		nsp	nsp	RES.	390 OHM 1W J KRG1SANJ391RT
POWER	R604		nsp	nsp	RES.	470 OHM 1W J KRG1SANJ471RT
POWER	R605		nsp	nsp	RES.	390 OHM 1W J KRG1SANJ391RT
POWER	R606		nsp	nsp	RES.	470 OHM 1W J KRG1SANJ471RT
POWER	R607		nsp	nsp	RES.	390 OHM 1W J KRG1SANJ391RT
POWER	R608		nsp	nsp	RES.	470 OHM 1W J KRG1SANJ471RT
POWER	R609		nsp	nsp	RES.	390 OHM 1W J KRG1SANJ391RT
POWER	R610		nsp	nsp	RES.	470 OHM 1W J KRG1SANJ471RT
POWER	R611		nsp	nsp	RES.	10K OHM 1/5W J CRD20TJ103T
POWER	R612		nsp	nsp	RES.	10K OHM 1/5W J CRD20TJ103T
POWER	R613		nsp	nsp	RES.	10K OHM 1/5W J CRD20TJ103T
POWER	R614		nsp	nsp	RES.	10K OHM 1/5W J CRD20TJ103T
POWER	R615		nsp	nsp	RES.	10K OHM 1/5W J CRD20TJ103T
POWER	R616		nsp	nsp	RES.	10K OHM 1/5W J CRD20TJ103T
POWER	R617		nsp	nsp	RES.	10K OHM 1/5W J CRD20TJ103T

NOTE : "nsp" PART IS LISTED FOR REFERENCE ONLY, MARANTZ WILL NOT SUPPLY THESE PARTS.



P.C.B. NAME	POS. NO.	VERS. COLOR	PART NO. (FOR EUR)	PART NO. (MJI)	PART NAME	DESCRIPTION
POWER	R618		nsp	nsp	RES.	10K OHM 1/5W J CRD20TJ103T
POWER	R619		nsp	nsp	RES.	10K OHM 1/5W J CRD20TJ103T
POWER	R620		nsp	nsp	RES.	10K OHM 1/5W J CRD20TJ103T
POWER	R622		nsp	nsp	RES.	10 OHM 1W J KRG1SANJ100RT
POWER	R623		nsp	nsp	RES.	10 OHM 1W J KRG1SANJ100RT
POWER	R624		nsp	nsp	RES.	10 OHM 1W J KRG1SANJ100RT
POWER	R625		nsp	nsp	RES.	10 OHM 1W J KRG1SANJ100RT
POWER	R626		nsp	nsp	RES.	10 OHM 1W J KRG1SANJ100RT
POWER	R627		nsp	nsp	RES.	CRG1ANJ331H
POWER	R628		nsp	nsp	RES.	CRG1ANJ331H
POWER	R631		nsp	nsp	RES.	270 OHM 1W J KRG1SANJ271RT
POWER	R632		nsp	nsp	RES.	270 OHM 1W J KRG1SANJ271RT
POWER	R633		nsp	nsp	RES.	15K OHM 1/5W J CRD20TJ153T
POWER	R634		nsp	nsp	RES.	15K OHM 1/5W J CRD20TJ153T
POWER	R635		nsp	nsp	RES.	15K OHM 1/5W J CRD20TJ153T
POWER	R636		nsp	nsp	RES.	15K OHM 1/5W J CRD20TJ153T
POWER	R637		nsp	nsp	RES.	10K OHM 1/5W J CRD20TJ103T
POWER	R638		nsp	nsp	RES.	33K OHM 1/5W J CRD20TJ333T
POWER	R639		nsp	nsp	RES.	100K OHM 1/5W J CRD20TJ104T
POWER	R640		nsp	nsp	RES.	CRG1ANJ1R0H
POWER	R641		nsp	nsp	RES.	CRG1ANJ1R0H
POWER	R642		nsp	nsp	RES.	10K OHM 1/5W J CRD20TJ103T
POWER	R643		nsp	nsp	RES.	10K OHM 1/5W J CRD20TJ103T
POWER	R644		nsp	nsp	RES.	22K OHM 1/5W J CRD20TJ223T
POWER	R645		nsp	nsp	RES.	22K OHM 1/5W J CRD20TJ223T
POWER	R646		nsp	nsp	RES.	10K OHM 1/5W J CRD20TJ103T
POWER	R647		nsp	nsp	RES.	1 OHM 1/4W CRD25TJ1R0T
POWER	R648		nsp	nsp	RES.	2.2K OHM 1W J KRG1SANJ222RT
POWER	R649		nsp	nsp	RES.	1.5K OHM 1W J KRG1SANJ152RT
POWER	R650		nsp	nsp	RES.	100 OHM 1/4W CRD25TJ101T
POWER	R651		nsp	nsp	RES.	100 OHM 1/4W CRD25TJ101T
POWER	R652		nsp	nsp	CONN. CORD	SN95/PB5 , 0.6 C3A206
POWER	R653		90M-NH000150R	90M-NH000150R	FUSE RES.	0.15 OHM , 1W J KRQ1AJR15H
POWER	RY61		00MLY20240490	00MLY20240490	RELAY	5GPA-28 DC24 HSL3B013ZE
POWER	RY62		00MLY20240490	00MLY20240490	RELAY	5GPA-28 DC24 HSL3B013ZE
POWER	RY63		00MLY20240490	00MLY20240490	RELAY	5GPA-28 DC24 HSL3B013ZE
POWER	RY64		00MLY20240490	00MLY20240490	RELAY	5GPA-28 DC24 HSL3B013ZE
POWER	RY65		00MLY20240510	00MLY20240510	RELAY	OSA-SS-224DM3 HSL4B017ZU
POWER	▲RY66		00MLY20240520	00MLY20240520	RELAY	PCLH-203D1SP HSL4B018ZU
<b>PREOUT PCB (CUP11764-4)</b>						
PREOUT	BN22		nsp	nsp	CORD	CWB1B915350EN
PREOUT	C170		nsp	nsp	CER. CAP.	470PF 50V KB CCKT1H471KB
PREOUT	C171		nsp	nsp	CER. CAP.	470PF 50V KB CCKT1H471KB
PREOUT	C172		nsp	nsp	CER. CAP.	470PF 50V KB CCKT1H471KB
PREOUT	C173		nsp	nsp	CER. CAP.	470PF 50V KB CCKT1H471KB
PREOUT	C174		nsp	nsp	CER. CAP.	470PF 50V KB CCKT1H471KB
PREOUT	C175		nsp	nsp	CER. CAP.	470PF 50V KB CCKT1H471KB
PREOUT	C176		nsp	nsp	CER. CAP.	470PF 50V KB CCKT1H471KB
PREOUT	C177		nsp	nsp	CER. CAP.	470PF 50V KB CCKT1H471KB
PREOUT	JK15		90M-YT004340R	90M-YT004340R	TERMINAL	RCA-401DAG-28 CJJ4P054Z
PREOUT	JK16		90M-YT004350R	90M-YT004350R	TERMINAL	RCA-401DAG-16 CJJ4P055Z
<b>PUSH S/W PCB (CUP11759-5)</b>						
S/W	▲C877		90M-DK100800R	90M-DK100800R	CER. CAP.	DKS471ME KCKDKS471ME
S/W	CN88		90M-YP100250R	90M-YP100250R	JACK	MOLEX35328-02 KJP02GA89ZM
S/W	▲SW97	/A1B	nsp	90M-SP000850R	SW	JPP1197CSA64 KSH1A001ZV
S/W	▲SW97	/A1S	nsp	90M-SP000850R	SW	JPP1197CSA64 KSH1A001ZV
S/W	▲SW97	/F1N	nsp	90M-SP000850R	SW	JPP1197CSA64 KSH1A001ZV
S/W	▲SW97	/L1G	nsp	90M-SP000850R	SW	JPP1197CSA64 KSH1A001ZV
S/W	▲SW97	/N1B	90M-SP000850R	90M-SP000850R	SW	JPP1197CSA64 KSH1A001ZV
S/W	▲SW97	/N1G	90M-SP000850R	90M-SP000850R	SW	JPP1197CSA64 KSH1A001ZV
S/W	▲SW97	/N1S	90M-SP000850R	90M-SP000850R	SW	JPP1197CSA64 KSH1A001ZV
<b>SBLR PCB (CUP11764-3)</b>						
SBLR	BK13		nsp	nsp	BRACKET	CMD1A387
SBLR	C160		90M-OF100370R	90M-OF100370R	FILM CAP	0.022UF 50V J HCQ1H223JZT
SBLR	C161		90M-OF100370R	90M-OF100370R	FILM CAP	0.022UF 50V J HCQ1H223JZT
SBLR	C162		90M-OF100370R	90M-OF100370R	FILM CAP	0.022UF 50V J HCQ1H223JZT

NOTE : "nsp" PART IS LISTED FOR REFERENCE ONLY, MARANTZ WILL NOT SUPPLY THESE PARTS.

P.C.B. NAME	POS. NO.	VERS. COLOR	PART NO. (FOR EUR)	PART NO. (MJI)	PART NAME	DESCRIPTION	
SBLR	C163		90M-OF100370R	90M-OF100370R	FILM CAP	0.022UF 50V J	HCQ1H223JZT
SBLR	C164		nsp	nsp	CER. CAP.	1000PF 50V KB	CCKT1H102KB
SBLR	C165		nsp	nsp	CER. CAP.	0.1UF 50V ZF	CCFT1H104ZF
SBLR	C166		nsp	nsp	CER. CAP.	0.1UF 50V ZF	CCFT1H104ZF
SBLR	CN81		nsp	nsp	JACK	STRAIGHT, 6PIN	CJP06GA19ZY
SBLR	CN82		90M-YP100250R	90M-YP100250R	JACK	MOLEX35328-02	KJP02GA89ZM
SBLR	CN83		90M-YP100250R	90M-YP100250R	JACK	MOLEX35328-02	KJP02GA89ZM
SBLR	CN84		nsp	nsp	JACK	STRAIGHT, 6PIN	CJP06GA19ZY
SBLR	D101		nsp	90M-HD201750R	DIODE	1N4003	KVD1N4003SRT
SBLR	JK14		90M-YT004330R	90M-YT004330R	TERMINAL	JB-405E-15	CJJ5P025Z
SBLR	Q103		90M-HT600040R	90M-HT600040R	TRS.		HVTKTA1267YT
SBLR	R130		nsp	nsp	RES.	10 OHM 1W J	KRG1SANJ100RT
SBLR	R131		nsp	nsp	RES.	10 OHM 1W J	KRG1SANJ100RT
SBLR	R132		nsp	nsp	RES.	10K OHM 1/5W J	CRD20TJ103T
SBLR	R133		nsp	nsp	RES.	10K OHM 1/5W J	CRD20TJ103T
SBLR	R134		nsp	nsp	RES.	390 OHM 1W J	KRG1SANJ391RT
SBLR	R135		nsp	nsp	RES.	470 OHM 1W J	KRG1SANJ471RT
SBLR	R136		nsp	nsp	RES.	10K OHM 1/5W J	CRD20TJ103T
SBLR	RY11		00MLY20240490	00MLY20240490	RELAY	5GPA-28 DC24	HSL3B013ZE
SBLR	SW11		90M-SS000710R	90M-SS000710R	SW	SWITCH , SLIDE	KSS2B016Z
					<b>SELECTOR PCB (CUUP11759-2)</b>		
SELECT	C841		nsp	nsp	CER. CAP.	0.1UF 50V Z	HCBS1H104ZFT
SELECT	C871		nsp	nsp	CER. CAP.	100PF 50V K	HCBS1H101KBT
SELECT	C872		nsp	nsp	CER. CAP.	100PF 50V K	HCBS1H101KBT
SELECT	C873		nsp	nsp	CER. CAP.	100PF 50V K	HCBS1H101KBT
SELECT	CN51		nsp	nsp	JACK	STRAIGHT, 7PIN	CJP07GA19ZY
SELECT	D801		90M-HI101090R	90M-HI101090R	L.E.D.	SPR-39MVW3	HVDSPPR39MVW3
SELECT	EN82		90M-SR000270R	90M-SR000270R	ROTARY SW	EC16B12S0AD4ZZZ	HSR2A032Z
SELECT	J822	/U1B	nsp	nsp	CONN. CORD	SN95/PB5 , 0.6	C3A206
SELECT	J823	/U1B	nsp	nsp	CONN. CORD	SN95/PB5 , 0.6	C3A206
SELECT	J825		nsp	nsp	CONN. CORD	SN95/PB5 , 0.6	C3A206
SELECT	J865		nsp	nsp	CONN. CORD	SN95/PB5 , 0.6	C3A206
SELECT	J873		nsp	nsp	CONN. CORD	SN95/PB5 , 0.6	C3A206
SELECT	Q806		00MBA10001000	00MBA10001000	TRS.	KRA102M	HVTKRA102MT
SELECT	Q807		00MBA10001000	00MBA10001000	TRS.	KRA102M	HVTKRA102MT
SELECT	R865		nsp	nsp	RES.	270 OHM 1/5W J	CRD20TJ271T
SELECT	R871		nsp	nsp	RES.	10K OHM 1/5W J	CRD20TJ103T
SELECT	R872		nsp	nsp	RES.	10K OHM 1/5W J	CRD20TJ103T
SELECT	R873		nsp	nsp	RES.	10K OHM 1/5W J	CRD20TJ103T
SELECT	R874		nsp	nsp	RES.	10K OHM 1/5W J	CRD20TJ103T
SELECT	R875		nsp	nsp	RES.	220 OHM 1/5W J	CRD20TJ221T
SELECT	SW98	/U1B	nsp	90M-SP001210R	SW	00802-0005	CST1A012ZT
					<b>STANDBY PCB (CUP11764-2)</b>		
ST-BY	BK81		nsp	nsp	BRACKET		CMD1A387
ST-BY	BK82		nsp	nsp	BRACKET		CMD1A387
ST-BY	C881		nsp	nsp	CER. CAP.	0.1UF 50V Z	HCBS1H104ZFT
ST-BY	C882		nsp	00MOA47505020	ELECT CAP.	4.7UF 50V	HCEA1HH4R7T
ST-BY	C883		nsp	00MOA10701620	ELECT CAP.	100UF 16V	HCEA1CH101T
ST-BY	C884		nsp	nsp	CER. CAP.	0.1UF 50V Z	HCBS1H104ZFT
ST-BY	C885		nsp	nsp	CER. CAP.	0.1UF 50V Z	HCBS1H104ZFT
ST-BY	C886		nsp	00MOA33802520	ELECT CAP.	3300UF 25V	HCEA1EH332E
ST-BY	C887		nsp	nsp	CER. CAP.	1000PF 50V B	HCBS1H102KBT
ST-BY	C888		90M-DK100810R	90M-DK100810R	CER. CAP.	DE1610-610F103M	BCKWKH103MF
ST-BY	CN90		nsp	nsp	JACK		KJP05GB99ZM
ST-BY	CN91	/A1B	nsp	90M-YP100250R	JACK	MOLEX35328-02	KJP02GA89ZM
ST-BY	CN91	/A1S	nsp	90M-YP100250R	JACK	MOLEX35328-02	KJP02GA89ZM
ST-BY	CN91	/N1B	90M-YP100250R	90M-YP100250R	JACK	MOLEX35328-02	KJP02GA89ZM
ST-BY	CN91	/N1G	90M-YP100250R	90M-YP100250R	JACK	MOLEX35328-02	KJP02GA89ZM
ST-BY	CN91	/N1S	90M-YP100250R	90M-YP100250R	JACK	MOLEX35328-02	KJP02GA89ZM
ST-BY	CN92		90M-YP100250R	90M-YP100250R	JACK	MOLEX35328-02	KJP02GA89ZM
ST-BY	CN93		90M-YP100250R	90M-YP100250R	JACK	MOLEX35328-02	KJP02GA89ZM
ST-BY	D802		nsp	00MHD20015210	DIODE	1SS133T-77	HVD1SS133MT
ST-BY	D803		nsp	nsp	CONN. CORD	SN95/PB5 , 0.6	C3A206
ST-BY	D804		nsp	90M-HD201750R	DIODE	1N4003	KVD1N4003SRT
ST-BY	D805		nsp	nsp	CONN. CORD	SN95/PB5 , 0.6	C3A206
ST-BY	D806		00MHD30821000	00MHD30821000	ZENER DIODE	8.2V 1/2W	HVDMTZJ8.2BT

NOTE : "nsp" PART IS LISTED FOR REFERENCE ONLY, MARANTZ WILL NOT SUPPLY THESE PARTS.

P.C.B. NAME	POS. NO.	VERS. COLOR	PART NO. (FOR EUR)	PART NO. (MJI)	PART NAME	DESCRIPTION
ST-BY	D807		nsp	90M-HD201750R	DIODE	1N4003 KVD1N4003SRT
ST-BY	D808		nsp	90M-HD201750R	DIODE	1N4003 KVD1N4003SRT
ST-BY	D809		nsp	90M-HD201750R	DIODE	1N4003 KVD1N4003SRT
ST-BY	D810		nsp	90M-HD201750R	DIODE	1N4003 KVD1N4003SRT
ST-BY	D811		nsp	90M-HD201750R	DIODE	1N4003 KVD1N4003SRT
ST-BY	D812		nsp	90M-HD201750R	DIODE	1N4003 KVD1N4003SRT
ST-BY	D813		nsp	90M-HD201750R	DIODE	1N4003 KVD1N4003SRT
ST-BY	F801		nsp	nsp	FUSE HOLDER	KJCF5S
ST-BY	▲F802	/F1N	nsp	90M-FS001070R	FUSE	KBA2D2500TLET
ST-BY	▲F802	/L1G	nsp	90M-FS001070R	FUSE	KBA2D2500TLET
ST-BY	▲F802	/U1B	nsp	90M-FS001070R	FUSE	KBA2D2500TLET
ST-BY	▲F803	/F1N	nsp	90M-FS001070R	FUSE	KBA2D2500TLET
ST-BY	▲F803	/L1G	nsp	90M-FS001070R	FUSE	KBA2D2500TLET
ST-BY	▲F803	/N1B	90M-FS001070R	90M-FS001070R	FUSE	KBA2D2500TLET
ST-BY	▲F803	/N1G	90M-FS001070R	90M-FS001070R	FUSE	KBA2D2500TLET
ST-BY	▲F803	/N1S	90M-FS001070R	90M-FS001070R	FUSE	KBA2D2500TLET
ST-BY	▲F803	/U1B	nsp	90M-FS001070R	FUSE	KBA2D2500TLET
ST-BY	IC84		90M-HC108410R	90M-HC108410R	IC	S-80842CNY-X HVIS-80842CNY-X
ST-BY	IC85		90M-HC300500R	90M-HC300500R	IC REG	KA7805-ABTU HVIMC7805C
ST-BY	J828		nsp	nsp	CONN. CORD	SN95/PB5 , 0.6 C3A206
ST-BY	J829		nsp	nsp	CONN. CORD	SN95/PB5 , 0.6 C3A206
ST-BY	J830		nsp	nsp	CONN. CORD	SN95/PB5 , 0.6 C3A206
ST-BY	J831	/F1N	nsp	nsp	CONN. CORD	SN95/PB5 , 0.6 C3A206
ST-BY	J831	/L1G	nsp	nsp	CONN. CORD	SN95/PB5 , 0.6 C3A206
ST-BY	J831	/U1B	nsp	nsp	CONN. CORD	SN95/PB5 , 0.6 C3A206
ST-BY	J834		nsp	nsp	CONN. CORD	SN95/PB5 , 0.6 C3A206
ST-BY	J889	/A1B	nsp	nsp	CONN. CORD	SN95/PB5 , 0.6 C3A206
ST-BY	J889	/A1S	nsp	nsp	CONN. CORD	SN95/PB5 , 0.6 C3A206
ST-BY	J889	/N1B	nsp	nsp	CONN. CORD	SN95/PB5 , 0.6 C3A206
ST-BY	J889	/N1G	nsp	nsp	CONN. CORD	SN95/PB5 , 0.6 C3A206
ST-BY	J889	/N1S	nsp	nsp	CONN. CORD	SN95/PB5 , 0.6 C3A206
ST-BY	JK85	/F1N	nsp	90M-YT002410R	TERMINAL	A204D0041P KJJ7A015Z
ST-BY	JK85	/L1G	nsp	90M-YT002410R	TERMINAL	A204D0041P KJJ7A015Z
ST-BY	JK85	/U1B	nsp	90M-YT002410R	TERMINAL	A204D0041P KJJ7A015Z
ST-BY	JK86	/N1B	90M-YT002430R	90M-YT002430R	TERMINAL	A302D0061P KJJ7A022Z
ST-BY	JK86	/N1G	90M-YT002430R	90M-YT002430R	TERMINAL	A302D0061P KJJ7A022Z
ST-BY	JK86	/N1S	90M-YT002430R	90M-YT002430R	TERMINAL	A302D0061P KJJ7A022Z
ST-BY	▲L801		00MLY10090010	00MLY10090010	RELAY	SDT-S-109DMR HSL1D016ZE
ST-BY	Q804		00MBA20001000	00MBA20001000	TRS.	KRC102M HVTKRC102MT
ST-BY	Q805		90M-HT600040R	90M-HT600040R	TRS.	HVTKTA1267YT
ST-BY	R881		nsp	nsp	RES.	47K OHM 1/5W J CRD20TJ473T
ST-BY	R882		nsp	nsp	RES.	10K OHM 1/5W J CRD20TJ103T
ST-BY	R883		nsp	nsp	RES.	2.2K OHM 1/5W J CRD20TJ222T
ST-BY	R885		nsp	nsp	RES.	1 OHM 1/5W J CRD20TJ1R0T
ST-BY	R886	/U1B	nsp	90M-GG000010R	RES.	3.3M OHM 1/2W BRDERC12UGK335T
ST-BY	R887		nsp	nsp	RES.	4.7K OHM 1/5W J CRD20TJ472T
ST-BY	R888		nsp	nsp	RES.	10K OHM 1/5W J CRD20TJ103T
ST-BY	▲T801	/A1B	nsp	90M-TS001940R	TRANSF.	SR5400(6400)/N1 CLT5I002ZE
ST-BY	▲T801	/A1S	nsp	90M-TS001940R	TRANSF.	SR5400(6400)/N1 CLT5I002ZE
ST-BY	▲T801	/F1N	nsp	90M-TS001960R	TRANSF.	PS5400(6400)/F1 CLT5I002ZJ
ST-BY	▲T801	/L1G	nsp	90M-TS002090R	TRANSF.	SR5400(6400)/L1 CLT5I002ZS
ST-BY	▲T801	/N1B	90M-TS001940R	90M-TS001940R	TRANSF.	SR5400(6400)/N1 CLT5I002ZE
ST-BY	▲T801	/N1G	90M-TS001940R	90M-TS001940R	TRANSF.	SR5400(6400)/N1 CLT5I002ZE
ST-BY	▲T801	/N1S	90M-TS001940R	90M-TS001940R	TRANSF.	SR5400(6400)/N1 CLT5I002ZE
ST-BY	▲T801	/U1B	nsp	90M-TS001970R	TRANSF.	SR5400(6400)/U1 CLT5I002ZU
<b>TUNER PCB (CUP11764-5)</b>						
TUNER	C397	/F1N	nsp	nsp	CER. CAP.	0.01UF 50V ZF CCKT1H103ZF
TUNER	C398	/F1N	nsp	nsp	CER. CAP.	0.01UF 50V ZF CCKT1H103ZF
TUNER	CN32	/F1N	nsp	nsp	JACK	KJP03GA19ZM
TUNER	JK27	/F1N	nsp	90M-YT003180R	TERMINAL	JACK , BOARD CJJ4N063Z
TUNER	R394	/F1N	nsp	nsp	RES.	100 OHM 1/5W J CRD20TJ101T
TUNER	R395	/F1N	nsp	nsp	RES.	100 OHM 1/5W J CRD20TJ101T
TUNER	R396	/F1N	nsp	nsp	RES.	82K OHM 1/5W J CRD20TJ823T
TUNER	R397	/F1N	nsp	nsp	RES.	82K OHM 1/5W J CRD20TJ823T
<b>VIDEO PCB (CUP11763-2)</b>						
VIDEO	C702		nsp	00MOA10605020	ELECT CAP.	10UF 50V HCEA1HH100T

NOTE : "nsp" PART IS LISTED FOR REFERENCE ONLY, MARANTZ WILL NOT SUPPLY THESE PARTS.

P.C.B. NAME	POS. NO.	VERS. COLOR	PART NO. (FOR EUR)	PART NO. (MJI)	PART NAME	DESCRIPTION
VIDEO	C704		nsp	00MOA10605020	ELECT CAP.	10UF 50V HCEA1HH100T
VIDEO	C706		nsp	00MOA10605020	ELECT CAP.	10UF 50V HCEA1HH100T
VIDEO	C707		nsp	nsp	CER. CAP.	47PF 50V JC CCCT1H470JC
VIDEO	C708		nsp	00MOA47701020	ELECT CAP.	470UF 10V HCEA1AH471T
VIDEO	C710		nsp	00MOA10605020	ELECT CAP.	10UF 50V HCEA1HH100T
VIDEO	C711		nsp	nsp	CER. CAP.	47PF 50V JC CCCT1H470JC
VIDEO	C712		nsp	00MOA47701020	ELECT CAP.	470UF 10V HCEA1AH471T
VIDEO	C713		nsp	nsp	CER. CAP.	68PF 50V JC CCCT1H680JC
VIDEO	C714		nsp	00MOA47701020	ELECT CAP.	470UF 10V HCEA1AH471T
VIDEO	C715		nsp	00MOA10605020	ELECT CAP.	10UF 50V HCEA1HH100T
VIDEO	C716		nsp	00MOA10605020	ELECT CAP.	10UF 50V HCEA1HH100T
VIDEO	C717		nsp	00MOA10605020	ELECT CAP.	10UF 50V HCEA1HH100T
VIDEO	C719		nsp	00MOA10605020	ELECT CAP.	10UF 50V HCEA1HH100T
VIDEO	C720		nsp	00MOA10605020	ELECT CAP.	10UF 50V HCEA1HH100T
VIDEO	C722		nsp	00MOA10605020	ELECT CAP.	10UF 50V HCEA1HH100T
VIDEO	C723		nsp	00MOA10605020	ELECT CAP.	10UF 50V HCEA1HH100T
VIDEO	C725		nsp	00MOA10605020	ELECT CAP.	10UF 50V HCEA1HH100T
VIDEO	C726		nsp	00MOA10605020	ELECT CAP.	10UF 50V HCEA1HH100T
VIDEO	C727		nsp	nsp	CER. CAP.	47PF 50V JC CCCT1H470JC
VIDEO	C728		nsp	00MOA47701020	ELECT CAP.	470UF 10V HCEA1AH471T
VIDEO	C729		nsp	nsp	CER. CAP.	47PF 50V JC CCCT1H470JC
VIDEO	C730		nsp	00MOA10605020	ELECT CAP.	10UF 50V HCEA1HH100T
VIDEO	C732		nsp	00MOA10605020	ELECT CAP.	10UF 50V HCEA1HH100T
VIDEO	C733		nsp	00MOA10605020	ELECT CAP.	10UF 50V HCEA1HH100T
VIDEO	C734		nsp	nsp	CER. CAP.	47PF 50V JC CCCT1H470JC
VIDEO	C735		nsp	00MOA47701020	ELECT CAP.	470UF 10V HCEA1AH471T
VIDEO	C736		nsp	nsp	CER. CAP.	47PF 50V JC CCCT1H470JC
VIDEO	C737		nsp	00MOA10605020	ELECT CAP.	10UF 50V HCEA1HH100T
VIDEO	C738		nsp	nsp	CER. CAP.	68PF 50V JC CCCT1H680JC
VIDEO	C739		nsp	00MOA47701020	ELECT CAP.	470UF 10V HCEA1AH471T
VIDEO	C740		nsp	nsp	CER. CAP.	68PF 50V JC CCCT1H680JC
VIDEO	C741		nsp	00MOA10605020	ELECT CAP.	10UF 50V HCEA1HH100T
VIDEO	C742		nsp	00MOA10605020	ELECT CAP.	10UF 50V HCEA1HH100T
VIDEO	C743		nsp	nsp	CONN. CORD	SN95/PB5 , 0.6 C3A206
VIDEO	C744		nsp	00MOA22505020	ELECT CAP.	2.2UF 50V HCEA1HH2R2T
VIDEO	C745		nsp	00MOA10605020	ELECT CAP.	10UF 50V HCEA1HH100T
VIDEO	C746		nsp	00MOA10605020	ELECT CAP.	10UF 50V HCEA1HH100T
VIDEO	C747		nsp	00MOA10605020	ELECT CAP.	10UF 50V HCEA1HH100T
VIDEO	C748		nsp	nsp	CER. CAP.	0.01UF 50V ZF CCKT1H103ZF
VIDEO	C749		nsp	00MOA10701620	ELECT CAP.	100UF 16V HCEA1CH101T
VIDEO	C751		nsp	00MOA47505020	ELECT CAP.	4.7UF 50V HCEA1HH4R7T
VIDEO	C752		nsp	00MOA10605020	ELECT CAP.	10UF 50V HCEA1HH100T
VIDEO	C753		nsp	00MOA10701620	ELECT CAP.	100UF 16V HCEA1CH101T
VIDEO	C754		nsp	nsp	CER. CAP.	0.01UF 50V ZF CCKT1H103ZF
VIDEO	C755		nsp	nsp	CER. CAP.	47PF 50V JC CCCT1H470JC
VIDEO	C756		nsp	nsp	CER. CAP.	0.01UF 50V ZF CCKT1H103ZF
VIDEO	C757		nsp	00MOA10701620	ELECT CAP.	100UF 16V HCEA1CH101T
VIDEO	C758		nsp	00MOA10701620	ELECT CAP.	100UF 16V HCEA1CH101T
VIDEO	C759		nsp	nsp	CER. CAP.	0.01UF 50V ZF CCKT1H103ZF
VIDEO	C760		nsp	nsp	CER. CAP.	47PF 50V JC CCCT1H470JC
VIDEO	C761		nsp	nsp	CER. CAP.	0.01UF 50V ZF CCKT1H103ZF
VIDEO	C762		nsp	00MOA10701620	ELECT CAP.	100UF 16V HCEA1CH101T
VIDEO	C763		nsp	00MOA10701620	ELECT CAP.	100UF 16V HCEA1CH101T
VIDEO	C764		nsp	nsp	CER. CAP.	0.01UF 50V ZF CCKT1H103ZF
VIDEO	C765		nsp	nsp	CER. CAP.	47PF 50V JC CCCT1H470JC
VIDEO	C766		nsp	nsp	CER. CAP.	0.01UF 50V ZF CCKT1H103ZF
VIDEO	C767		nsp	00MOA10701620	ELECT CAP.	100UF 16V HCEA1CH101T
VIDEO	C768		nsp	nsp	CER. CAP.	1200PF 50V KB CCKT1H122KB
VIDEO	C769		nsp	00MOA10505020	ELECT CAP.	1UF 50V HCEA1HH1R0T
VIDEO	C770		nsp	nsp	CER. CAP.	0.01UF 50V ZF CCKT1H103ZF
VIDEO	C771		nsp	00MOA10701620	ELECT CAP.	100UF 16V HCEA1CH101T
VIDEO	C773		nsp	nsp	CER. CAP.	24PF 50V JC CCCT1H240JC
VIDEO	C774		nsp	nsp	CER. CAP.	22PF 50V JC CCCT1H220JC
VIDEO	C775		nsp	00MOA10505020	ELECT CAP.	1UF 50V HCEA1HH1R0T
VIDEO	C776		nsp	nsp	CER. CAP.	0.01UF 50V ZF CCKT1H103ZF
VIDEO	C777		nsp	nsp	CER. CAP.	30PF 50V JC CCCT1H300JC

NOTE : "nsp" PART IS LISTED FOR REFERENCE ONLY, MARANTZ WILL NOT SUPPLY THESE PARTS.

P.C.B. NAME	POS. NO.	VERS. COLOR	PART NO. (FOR EUR)	PART NO. (MJI)	PART NAME	DESCRIPTION
VIDEO	C778	/A1B	nsp	nsp	CER. CAP.	27PF 50V JC CCCT1H270JC
VIDEO	C778	/A1S	nsp	nsp	CER. CAP.	27PF 50V JC CCCT1H270JC
VIDEO	C778	/F1N	nsp	nsp	CER. CAP.	30PF 50V JC CCCT1H300JC
VIDEO	C778	/L1G	nsp	nsp	CER. CAP.	30PF 50V JC CCCT1H300JC
VIDEO	C778	/N1B	nsp	nsp	CER. CAP.	27PF 50V JC CCCT1H270JC
VIDEO	C778	/N1G	nsp	nsp	CER. CAP.	27PF 50V JC CCCT1H270JC
VIDEO	C778	/N1S	nsp	nsp	CER. CAP.	27PF 50V JC CCCT1H270JC
VIDEO	C778	/U1B	nsp	nsp	CER. CAP.	30PF 50V JC CCCT1H300JC
VIDEO	C779		nsp	00MOA10605020	ELECT CAP.	10UF 50V HCEA1HH100T
VIDEO	C780		nsp	nsp	CER. CAP.	47PF 50V JC CCCT1H470JC
VIDEO	C781		nsp	nsp	CER. CAP.	1000PF 50V KB CCKT1H102KB
VIDEO	C782		nsp	nsp	CER. CAP.	220PF 50V KB CCKT1H221KB
VIDEO	C783		nsp	00MOA10605020	ELECT CAP.	10UF 50V HCEA1HH100T
VIDEO	C785		nsp	nsp	CER. CAP.	0.01UF 50V ZF CCKT1H103ZF
VIDEO	C786		nsp	nsp	CER. CAP.	0.01UF 50V ZF CCKT1H103ZF
VIDEO	C787		nsp	00MOA10701620	ELECT CAP.	100UF 16V HCEA1CH101T
VIDEO	C788		nsp	00MOA10605020	ELECT CAP.	10UF 50V HCEA1HH100T
VIDEO	C789		nsp	00MOA10605020	ELECT CAP.	10UF 50V HCEA1HH100T
VIDEO	C790		nsp	nsp	CER. CAP.	0.01UF 50V ZF CCKT1H103ZF
VIDEO	C791		nsp	nsp	CER. CAP.	0.01UF 50V ZF CCKT1H103ZF
VIDEO	C792		nsp	00MOA10701620	ELECT CAP.	100UF 16V HCEA1CH101T
VIDEO	C793		nsp	nsp	CER. CAP.	0.022UF 50V ZF CCKT1H223ZF
VIDEO	C794		nsp	nsp	CER. CAP.	47PF 50V JC CCCT1H470JC
VIDEO	C795		nsp	00MOA10701620	ELECT CAP.	100UF 16V HCEA1CH101T
VIDEO	C796		nsp	nsp	CER. CAP.	0.01UF 50V ZF CCKT1H103ZF
VIDEO	C797		nsp	00MOA10605020	ELECT CAP.	10UF 50V HCEA1HH100T
VIDEO	C798		nsp	nsp	CER. CAP.	0.01UF 50V ZF CCKT1H103ZF
VIDEO	C799		nsp	nsp	CER. CAP.	0.01UF 50V ZF CCKT1H103ZF
VIDEO	C800		nsp	00MOA10605020	ELECT CAP.	10UF 50V HCEA1HH100T
VIDEO	C802		nsp	00MOA10605020	ELECT CAP.	10UF 50V HCEA1HH100T
VIDEO	C803		nsp	nsp	CER. CAP.	0.01UF 50V ZF CCKT1H103ZF
VIDEO	C804		nsp	nsp	CER. CAP.	0.01UF 50V ZF CCKT1H103ZF
VIDEO	C805		nsp	00MOA10701620	ELECT CAP.	100UF 16V HCEA1CH101T
VIDEO	C806		nsp	nsp	CER. CAP.	0.01UF 50V ZF CCKT1H103ZF
VIDEO	C807		nsp	nsp	CER. CAP.	1000PF 50V KB CCKT1H102KB
VIDEO	C808		nsp	nsp	CER. CAP.	50V 0.1UF CCKT1H104ZF
VIDEO	C811		nsp	00MOA10701620	ELECT CAP.	100UF 16V HCEA1CH101T
VIDEO	C812		nsp	nsp	CER. CAP.	0.01UF 50V ZF CCKT1H103ZF
VIDEO	C813		nsp	nsp	CER. CAP.	0.01UF 50V ZF CCKT1H103ZF
VIDEO	C814		nsp	00MOA10605020	ELECT CAP.	10UF 50V HCEA1HH100T
VIDEO	C815		nsp	nsp	CER. CAP.	47PF 50V JC CCCT1H470JC
VIDEO	C817		nsp	00MOA10701620	ELECT CAP.	100UF 16V HCEA1CH101T
VIDEO	C818		nsp	nsp	CER. CAP.	0.01UF 50V ZF CCKT1H103ZF
VIDEO	C819		nsp	nsp	CER. CAP.	0.01UF 50V ZF CCKT1H103ZF
VIDEO	C820		nsp	00MOA10701620	ELECT CAP.	100UF 16V HCEA1CH101T
VIDEO	C821		nsp	nsp	CER. CAP.	68PF 50V JC CCCT1H680JC
VIDEO	C822		nsp	00MOA47701020	ELECT CAP.	470UF 10V HCEA1AH471T
VIDEO	C823		nsp	00MOA10605020	ELECT CAP.	10UF 50V HCEA1HH100T
VIDEO	C824		nsp	00MOA10605020	ELECT CAP.	10UF 50V HCEA1HH100T
VIDEO	C825		nsp	00MOA10605020	ELECT CAP.	10UF 50V HCEA1HH100T
VIDEO	C827		nsp	nsp	CER. CAP.	1000PF 50V KB CCKT1H102KB
VIDEO	C828		nsp	nsp	CER. CAP.	0.01UF 50V ZF CCKT1H103ZF
VIDEO	C829		nsp	nsp	CER. CAP.	47PF 50V JC CCCT1H470JC
VIDEO	C830		nsp	nsp	CER. CAP.	47PF 50V JC CCCT1H470JC
VIDEO	C831		nsp	00MOA10605020	ELECT CAP.	10UF 50V HCEA1HH100T
VIDEO	C833		nsp	00MOA10605020	ELECT CAP.	10UF 50V HCEA1HH100T
VIDEO	C834		nsp	00MOA10605020	ELECT CAP.	10UF 50V HCEA1HH100T
VIDEO	CN12		nsp	nsp	JACK	STRAIGHT, 5PIN CJP05GA19ZY
VIDEO	CN21		nsp	nsp	JACK	STRAIGHT, 6PIN CJP06GA19ZY
VIDEO	CN37		nsp	nsp	JACK	CJP11GA117ZY
VIDEO	CN41		nsp	nsp	JACK	STRAIGHT, 6PIN CJP06GA19ZY
VIDEO	D701		nsp	00MHD20015210	DIODE	1SS133T-77 HVD1SS133MT
VIDEO	D702		nsp	00MHD20015210	DIODE	1SS133T-77 HVD1SS133MT
VIDEO	D704		nsp	00MHD20015210	DIODE	1SS133T-77 HVD1SS133MT
VIDEO	D705		nsp	90M-HD201750R	DIODE	1N4003 KVD1N4003SRT
VIDEO	D706		nsp	00MHD20015210	DIODE	1SS133T-77 HVD1SS133MT

NOTE : "nsp" PART IS LISTED FOR REFERENCE ONLY, MARANTZ WILL NOT SUPPLY THESE PARTS.

P.C.B. NAME	POS. NO.	VERS. COLOR	PART NO. (FOR EUR)	PART NO. (MJI)	PART NAME	DESCRIPTION
VIDEO	D707		nsp	00MHD20015210	DIODE	1SS133T-77 HVD1SS133MT
VIDEO	IC71		00MHC10227090	00MHC10227090	IC	NJM2595D HVINJM2595D
VIDEO	IC72		00MHC10227090	00MHC10227090	IC	NJM2595D HVINJM2595D
VIDEO	IC73		00MHC10227090	00MHC10227090	IC	NJM2595D HVINJM2595D
VIDEO	IC74		90M-HC108400R	90M-HC108400R	IC	NJM2535D HVINJM2535D
VIDEO	IC75		00MHC10185090	00MHC10185090	IC	NJM2264D HVINJM2264D
VIDEO	IC76		00MHC10119090	00MHC10119090	IC	NJM2244D HVINJM2244D
VIDEO	IC77		00MHC10119090	00MHC10119090	IC	NJM2244D HVINJM2244D
VIDEO	IC78		00MHC10377030	00MHC10377030	IC	LC74781-9013 HVILC74781-9013
VIDEO	IC79		90M-HC108420R	90M-HC108420R	IC	TC74HC4094AP HVITC74HC4094AP
VIDEO	IC80		90M-HC108420R	90M-HC108420R	IC	TC74HC4094AP HVITC74HC4094AP
VIDEO	IC81		00MHC10227090	00MHC10227090	IC	NJM2595D HVINJM2595D
VIDEO	IC82		00MHC10119090	00MHC10119090	IC	NJM2244D HVINJM2244D
VIDEO	J700		nsp	nsp	CONN. CORD	SN95/PB5 , 0.6 C3A206
VIDEO	J701		nsp	nsp	CONN. CORD	SN95/PB5 , 0.6 C3A206
VIDEO	J702		nsp	nsp	CONN. CORD	SN95/PB5 , 0.6 C3A206
VIDEO	J703		nsp	nsp	CONN. CORD	SN95/PB5 , 0.6 C3A206
VIDEO	J704		nsp	nsp	CONN. CORD	SN95/PB5 , 0.6 C3A206
VIDEO	J705		nsp	nsp	CONN. CORD	SN95/PB5 , 0.6 C3A206
VIDEO	J706		nsp	nsp	CONN. CORD	SN95/PB5 , 0.6 C3A206
VIDEO	J707		nsp	nsp	CONN. CORD	SN95/PB5 , 0.6 C3A206
VIDEO	J708		nsp	nsp	CONN. CORD	SN95/PB5 , 0.6 C3A206
VIDEO	J709		nsp	nsp	CONN. CORD	SN95/PB5 , 0.6 C3A206
VIDEO	J710		nsp	nsp	CONN. CORD	SN95/PB5 , 0.6 C3A206
VIDEO	J711		nsp	nsp	CONN. CORD	SN95/PB5 , 0.6 C3A206
VIDEO	J712		nsp	nsp	CONN. CORD	SN95/PB5 , 0.6 C3A206
VIDEO	J713		nsp	nsp	CONN. CORD	SN95/PB5 , 0.6 C3A206
VIDEO	J714		nsp	nsp	CONN. CORD	SN95/PB5 , 0.6 C3A206
VIDEO	J715		nsp	nsp	CONN. CORD	SN95/PB5 , 0.6 C3A206
VIDEO	J716		nsp	nsp	CONN. CORD	SN95/PB5 , 0.6 C3A206
VIDEO	J717		nsp	nsp	CONN. CORD	SN95/PB5 , 0.6 C3A206
VIDEO	J718		nsp	nsp	CONN. CORD	SN95/PB5 , 0.6 C3A206
VIDEO	J719		nsp	nsp	CONN. CORD	SN95/PB5 , 0.6 C3A206
VIDEO	J720		nsp	nsp	CONN. CORD	SN95/PB5 , 0.6 C3A206
VIDEO	J721		nsp	nsp	CONN. CORD	SN95/PB5 , 0.6 C3A206
VIDEO	J722		nsp	nsp	CONN. CORD	SN95/PB5 , 0.6 C3A206
VIDEO	J723		nsp	nsp	CONN. CORD	SN95/PB5 , 0.6 C3A206
VIDEO	J724		nsp	nsp	CONN. CORD	SN95/PB5 , 0.6 C3A206
VIDEO	J725		nsp	nsp	CONN. CORD	SN95/PB5 , 0.6 C3A206
VIDEO	J726		nsp	nsp	CONN. CORD	SN95/PB5 , 0.6 C3A206
VIDEO	J727		nsp	nsp	CONN. CORD	SN95/PB5 , 0.6 C3A206
VIDEO	J728		nsp	nsp	CONN. CORD	SN95/PB5 , 0.6 C3A206
VIDEO	J729		nsp	nsp	CONN. CORD	SN95/PB5 , 0.6 C3A206
VIDEO	J730		nsp	nsp	CONN. CORD	SN95/PB5 , 0.6 C3A206
VIDEO	J731		nsp	nsp	CONN. CORD	SN95/PB5 , 0.6 C3A206
VIDEO	J732		nsp	nsp	CONN. CORD	SN95/PB5 , 0.6 C3A206
VIDEO	J733		nsp	nsp	CONN. CORD	SN95/PB5 , 0.6 C3A206
VIDEO	J734		nsp	nsp	CONN. CORD	SN95/PB5 , 0.6 C3A206
VIDEO	J735		nsp	nsp	CONN. CORD	SN95/PB5 , 0.6 C3A206
VIDEO	J736		nsp	nsp	CONN. CORD	SN95/PB5 , 0.6 C3A206
VIDEO	J737		nsp	nsp	CONN. CORD	SN95/PB5 , 0.6 C3A206
VIDEO	J738		nsp	nsp	CONN. CORD	SN95/PB5 , 0.6 C3A206
VIDEO	J739		nsp	nsp	CONN. CORD	SN95/PB5 , 0.6 C3A206
VIDEO	J740		nsp	nsp	CONN. CORD	SN95/PB5 , 0.6 C3A206
VIDEO	J741		nsp	nsp	CONN. CORD	SN95/PB5 , 0.6 C3A206
VIDEO	J742		nsp	nsp	CONN. CORD	SN95/PB5 , 0.6 C3A206
VIDEO	J743		nsp	nsp	CONN. CORD	SN95/PB5 , 0.6 C3A206
VIDEO	J744		nsp	nsp	CONN. CORD	SN95/PB5 , 0.6 C3A206
VIDEO	J745		nsp	nsp	CONN. CORD	SN95/PB5 , 0.6 C3A206
VIDEO	J746		nsp	nsp	CONN. CORD	SN95/PB5 , 0.6 C3A206
VIDEO	J747		nsp	nsp	CONN. CORD	SN95/PB5 , 0.6 C3A206
VIDEO	J748		nsp	nsp	CONN. CORD	SN95/PB5 , 0.6 C3A206
VIDEO	J749		nsp	nsp	CONN. CORD	SN95/PB5 , 0.6 C3A206
VIDEO	J750		nsp	nsp	CONN. CORD	SN95/PB5 , 0.6 C3A206
VIDEO	J751		nsp	nsp	CONN. CORD	SN95/PB5 , 0.6 C3A206
VIDEO	J752		nsp	nsp	CONN. CORD	SN95/PB5 , 0.6 C3A206

NOTE : "nsp" PART IS LISTED FOR REFERENCE ONLY, MARANTZ WILL NOT SUPPLY THESE PARTS.



P.C.B. NAME	POS. NO.	VERS. COLOR	PART NO. (FOR EUR)	PART NO. (MJI)	PART NAME	DESCRIPTION	
VIDEO	J819		nsp	nsp	CONN. CORD	SN95/PB5 , 0.6	C3A206
VIDEO	J820		nsp	nsp	CONN. CORD	SN95/PB5 , 0.6	C3A206
VIDEO	J821		nsp	nsp	CONN. CORD	SN95/PB5 , 0.6	C3A206
VIDEO	J822		nsp	nsp	CONN. CORD	SN95/PB5 , 0.6	C3A206
VIDEO	J823		nsp	nsp	CONN. CORD	SN95/PB5 , 0.6	C3A206
VIDEO	J824		nsp	nsp	CONN. CORD	SN95/PB5 , 0.6	C3A206
VIDEO	J825		nsp	nsp	CONN. CORD	SN95/PB5 , 0.6	C3A206
VIDEO	J827		nsp	nsp	CONN. CORD	SN95/PB5 , 0.6	C3A206
VIDEO	J828		nsp	nsp	CONN. CORD	SN95/PB5 , 0.6	C3A206
VIDEO	J829		nsp	nsp	CONN. CORD	SN95/PB5 , 0.6	C3A206
VIDEO	J830		nsp	nsp	CONN. CORD	SN95/PB5 , 0.6	C3A206
VIDEO	J831		nsp	nsp	CONN. CORD	SN95/PB5 , 0.6	C3A206
VIDEO	J832		nsp	nsp	CONN. CORD	SN95/PB5 , 0.6	C3A206
VIDEO	J833		nsp	nsp	CONN. CORD	SN95/PB5 , 0.6	C3A206
VIDEO	J834		nsp	nsp	CONN. CORD	SN95/PB5 , 0.6	C3A206
VIDEO	J835		nsp	nsp	CONN. CORD	SN95/PB5 , 0.6	C3A206
VIDEO	J836		nsp	nsp	CONN. CORD	SN95/PB5 , 0.6	C3A206
VIDEO	J837		nsp	nsp	CONN. CORD	SN95/PB5 , 0.6	C3A206
VIDEO	JC71		90M-YP100260R	90M-YP100260R	JACK	PIN HEADER (6P)	CJP06TT196ZP
VIDEO	JC72		90M-YP100260R	90M-YP100260R	JACK	PIN HEADER (6P)	CJP06TT196ZP
VIDEO	JC73		90M-YP100260R	90M-YP100260R	JACK	PIN HEADER (6P)	CJP06TT196ZP
VIDEO	JC74		nsp	nsp	JACK		CJP11GA117ZY
VIDEO	JK71		90M-YT003750R	90M-YT003750R	TERMINAL	YELLOW, GOLD	CJJ4S037Z
VIDEO	JK72		90M-YT003750R	90M-YT003750R	TERMINAL	YELLOW, GOLD	CJJ4S037Z
VIDEO	JK73		90M-YT003710R	90M-YT003710R	TERMINAL		CJJ4N044Z
VIDEO	JK74		90M-YT003780R	90M-YT003780R	TERMINAL	GOLD PLATE	CJJ9S002Z
VIDEO	JK75		90M-YT003770R	90M-YT003770R	TERMINAL	GOLD PLATE	CJJ9N005Z
VIDEO	JK76		90M-YT003770R	90M-YT003770R	TERMINAL	GOLD PLATE	CJJ9N005Z
VIDEO	L701		nsp	nsp	COIL		HLQ02C330JT
VIDEO	L702		nsp	nsp	COIL		HLQ02C330JT
VIDEO	Q701		90M-HT600040R	90M-HT600040R	TRS.		HVTKTA1267YT
VIDEO	Q702		00MBA10001000	00MBA10001000	TRS.	KRA102M	HVTKRA102MT
VIDEO	Q703		00MHT30001000	00MHT30001000	TRS.		HVTKTC3199YT
VIDEO	Q704		00MHT30001000	00MHT30001000	TRS.		HVTKTC3199YT
VIDEO	Q705	/A1B	nsp	00MBA20004000	TRS.	KRC111M	HVTKRC111MT
VIDEO	Q705	/A1S	nsp	00MBA20004000	TRS.	KRC111M	HVTKRC111MT
VIDEO	Q705	/N1B	00MBA20004000	00MBA20004000	TRS.	KRC111M	HVTKRC111MT
VIDEO	Q705	/N1G	00MBA20004000	00MBA20004000	TRS.	KRC111M	HVTKRC111MT
VIDEO	Q705	/N1S	00MBA20004000	00MBA20004000	TRS.	KRC111M	HVTKRC111MT
VIDEO	Q706	/A1B	nsp	00MHT805501B0	TRS.	KTC2874B	HVTKTC2874BT
VIDEO	Q706	/A1S	nsp	00MHT805501B0	TRS.	KTC2874B	HVTKTC2874BT
VIDEO	Q706	/N1B	00MHT805501B0	00MHT805501B0	TRS.	KTC2874B	HVTKTC2874BT
VIDEO	Q706	/N1G	00MHT805501B0	00MHT805501B0	TRS.	KTC2874B	HVTKTC2874BT
VIDEO	Q706	/N1S	00MHT805501B0	00MHT805501B0	TRS.	KTC2874B	HVTKTC2874BT
VIDEO	Q707	/A1B	nsp	00MBA10001000	TRS.	KRA102M	HVTKRA102MT
VIDEO	Q707	/A1S	nsp	00MBA10001000	TRS.	KRA102M	HVTKRA102MT
VIDEO	Q707	/N1B	00MBA10001000	00MBA10001000	TRS.	KRA102M	HVTKRA102MT
VIDEO	Q707	/N1G	00MBA10001000	00MBA10001000	TRS.	KRA102M	HVTKRA102MT
VIDEO	Q707	/N1S	00MBA10001000	00MBA10001000	TRS.	KRA102M	HVTKRA102MT
VIDEO	Q708		00MHT30001000	00MHT30001000	TRS.		HVTKTC3199YT
VIDEO	Q710		00MBA20001000	00MBA20001000	TRS.	KRC102M	HVTKRC102MT
VIDEO	Q711		00MHT30001000	00MHT30001000	TRS.		HVTKTC3199YT
VIDEO	Q712		00MHT30001000	00MHT30001000	TRS.		HVTKTC3199YT
VIDEO	Q713		00MBA10001000	00MBA10001000	TRS.	KRA102M	HVTKRA102MT
VIDEO	R701		nsp	nsp	RES.	75 OHM 1/5W J	CRD20TJ750T
VIDEO	R702		nsp	nsp	CONN. CORD	SN95/PB5 , 0.6	C3A206
VIDEO	R703		nsp	nsp	RES.	75 OHM 1/5W J	CRD20TJ750T
VIDEO	R704		nsp	nsp	CONN. CORD	SN95/PB5 , 0.6	C3A206
VIDEO	R705		nsp	nsp	RES.	75 OHM 1/5W J	CRD20TJ750T
VIDEO	R706		nsp	nsp	CONN. CORD	SN95/PB5 , 0.6	C3A206
VIDEO	R707		nsp	nsp	RES.	75 OHM 1/5W J	CRD20TJ750T
VIDEO	R708		nsp	nsp	RES.	75 OHM 1/5W J	CRD20TJ750T
VIDEO	R709		nsp	nsp	CONN. CORD	SN95/PB5 , 0.6	C3A206
VIDEO	R710		nsp	nsp	RES.	75 OHM 1/5W J	CRD20TJ750T
VIDEO	R711		nsp	nsp	RES.	75 OHM 1/5W J	CRD20TJ750T
VIDEO	R712		nsp	nsp	RES.	75 OHM 1/5W J	CRD20TJ750T

NOTE : "nsp" PART IS LISTED FOR REFERENCE ONLY, MARANTZ WILL NOT SUPPLY THESE PARTS.



P.C.B. NAME	POS. NO.	VERS. COLOR	PART NO. (FOR EUR)	PART NO. (MJI)	PART NAME	DESCRIPTION
VIDEO	R713		nsp	nsp	RES.	75 OHM 1/5W J CRD20TJ750T
VIDEO	R714		nsp	nsp	CONN. CORD	SN95/PB5 , 0.6 C3A206
VIDEO	R715		nsp	nsp	RES.	75 OHM 1/5W J CRD20TJ750T
VIDEO	R716		nsp	nsp	RES.	75 OHM 1/5W J CRD20TJ750T
VIDEO	R717		nsp	nsp	CONN. CORD	SN95/PB5 , 0.6 C3A206
VIDEO	R718		nsp	nsp	RES.	75 OHM 1/5W J CRD20TJ750T
VIDEO	R719		nsp	nsp	RES.	75 OHM 1/5W J CRD20TJ750T
VIDEO	R720		nsp	nsp	CONN. CORD	SN95/PB5 , 0.6 C3A206
VIDEO	R721		nsp	nsp	RES.	75 OHM 1/5W J CRD20TJ750T
VIDEO	R722		nsp	nsp	RES.	75 OHM 1/5W J CRD20TJ750T
VIDEO	R723		nsp	nsp	RES.	75 OHM 1/5W J CRD20TJ750T
VIDEO	R724		nsp	nsp	RES.	75 OHM 1/5W J CRD20TJ750T
VIDEO	R725		nsp	nsp	CONN. CORD	SN95/PB5 , 0.6 C3A206
VIDEO	R726		nsp	nsp	RES.	75 OHM 1/5W J CRD20TJ750T
VIDEO	R727		nsp	nsp	RES.	75 OHM 1/5W J CRD20TJ750T
VIDEO	R728		nsp	nsp	RES.	75 OHM 1/5W J CRD20TJ750T
VIDEO	R729		nsp	nsp	RES.	75 OHM 1/5W J CRD20TJ750T
VIDEO	R730		nsp	nsp	RES.	220 KOHM 1/5W J CRD20TJ224T
VIDEO	R731		nsp	nsp	RES.	10 OHM 1/5W J CRD20TJ100T
VIDEO	R732		nsp	nsp	RES.	220 OHM 1/5W J CRD20TJ221T
VIDEO	R733		nsp	nsp	RES.	10K OHM 1/5W J CRD20TJ103T
VIDEO	R734		nsp	nsp	RES.	1M OHM 1/5W J CRD20TJ105T
VIDEO	R735		nsp	nsp	RES.	1M OHM 1/5W J CRD20TJ105T
VIDEO	R736		nsp	nsp	RES.	100K OHM 1/5W J CRD20TJ104T
VIDEO	R737		nsp	nsp	RES.	1M OHM 1/5W J CRD20TJ105T
VIDEO	R738		nsp	nsp	RES.	10K OHM 1/5W J CRD20TJ103T
VIDEO	R739		nsp	nsp	RES.	12K OHM 1/5W J CRD20TJ123T
VIDEO	R740		nsp	nsp	RES.	470 OHM 1/5W J CRD20TJ471T
VIDEO	R741		nsp	nsp	RES.	75 OHM 1/5W J CRD20TJ750T
VIDEO	R742		nsp	nsp	RES.	75 OHM 1/5W J CRD20TJ750T
VIDEO	R743		nsp	nsp	RES.	75 OHM 1/5W J CRD20TJ750T
VIDEO	R744		nsp	nsp	RES.	220 OHM 1/5W J CRD20TJ221T
VIDEO	R745		nsp	nsp	CONN. CORD	SN95/PB5 , 0.6 C3A206
VIDEO	R746		nsp	nsp	RES.	1M OHM 1/5W J CRD20TJ105T
VIDEO	R747	/F1N	nsp	nsp	CONN. CORD	SN95/PB5 , 0.6 C3A206
VIDEO	R747	/L1G	nsp	nsp	CONN. CORD	SN95/PB5 , 0.6 C3A206
VIDEO	R747	/U1B	nsp	nsp	CONN. CORD	SN95/PB5 , 0.6 C3A206
VIDEO	R750		nsp	nsp	RES.	10K OHM 1/5W J CRD20TJ103T
VIDEO	R752		nsp	nsp	RES.	75 OHM 1/5W J CRD20TJ750T
VIDEO	R753		nsp	nsp	RES.	220 OHM 1/5W J CRD20TJ221T
VIDEO	R756		nsp	nsp	CONN. CORD	SN95/PB5 , 0.6 C3A206
VIDEO	R758		nsp	nsp	RES.	4.7K OHM 1/5W J CRD20TJ472T
VIDEO	R759		nsp	nsp	RES.	3.3K OHM 1/5W J CRD20TJ332T
VIDEO	R761		nsp	nsp	RES.	100K OHM 1/5W J CRD20TJ104T
VIDEO	R762		nsp	nsp	RES.	1M OHM 1/5W J CRD20TJ105T
VIDEO	R763		nsp	nsp	RES.	3.3K OHM 1/5W J CRD20TJ332T
VIDEO	R764		nsp	nsp	RES.	1M OHM 1/5W J CRD20TJ105T
VIDEO	R765		nsp	nsp	RES.	1M OHM 1/5W J CRD20TJ105T
VIDEO	R766		nsp	nsp	RES.	1M OHM 1/5W J CRD20TJ105T
VIDEO	R767		nsp	nsp	RES.	1M OHM 1/5W J CRD20TJ105T
VIDEO	R768		nsp	nsp	RES.	4.7K OHM 1/5W J CRD20TJ472T
VIDEO	R769		nsp	nsp	RES.	1K OHM 1/5W J CRD20TJ102T
VIDEO	R770		nsp	nsp	RES.	10K OHM 1/5W J CRD20TJ103T
VIDEO	R771		nsp	nsp	RES.	56 OHM 1/5W J CRD20TJ560T
VIDEO	R772		nsp	nsp	RES.	1K OHM 1/5W J CRD20TJ102T
VIDEO	R773		nsp	nsp	RES.	10K OHM 1/5W J CRD20TJ103T
VIDEO	R774		nsp	nsp	RES.	1K OHM 1/5W J CRD20TJ102T
VIDEO	R775		nsp	nsp	CONN. CORD	SN95/PB5 , 0.6 C3A206
VIDEO	R776		nsp	nsp	RES.	1M OHM 1/5W J CRD20TJ105T
VIDEO	R777		nsp	nsp	RES.	1M OHM 1/5W J CRD20TJ105T
VIDEO	R778		nsp	nsp	RES.	1M OHM 1/5W J CRD20TJ105T
VIDEO	R781		nsp	nsp	RES.	10K OHM 1/5W J CRD20TJ103T
VIDEO	R782		nsp	nsp	RES.	100 OHM 1/5W J CRD20TJ101T
VIDEO	R783		nsp	nsp	RES.	10K OHM 1/5W J CRD20TJ103T
VIDEO	R786		nsp	nsp	RES.	1M OHM 1/5W J CRD20TJ105T
VIDEO	R787		nsp	nsp	RES.	1M OHM 1/5W J CRD20TJ105T

NOTE : "nsp" PART IS LISTED FOR REFERENCE ONLY, MARANTZ WILL NOT SUPPLY THESE PARTS.

P.C.B. NAME	POS. NO.	VERS. COLOR	PART NO. (FOR EUR)	PART NO. (MJI)	PART NAME	DESCRIPTION
VIDEO	R788		nsp	nsp	RES.	1M OHM 1/5W J CRD20TJ105T
VIDEO	R789		nsp	nsp	RES.	75 OHM 1/5W J CRD20TJ750T
VIDEO	R790		nsp	nsp	RES.	75 OHM 1/5W J CRD20TJ750T
VIDEO	R791		nsp	nsp	RES.	100 OHM 1/5W J CRD20TJ101T
VIDEO	R792		nsp	nsp	RES.	10K OHM 1/5W J CRD20TJ103T
VIDEO	R793		nsp	nsp	RES.	75 OHM 1/5W J CRD20TJ750T
VIDEO	R794		nsp	nsp	RES.	75 OHM 1/5W J CRD20TJ750T
VIDEO	R795		nsp	nsp	RES.	3.3K OHM 1/5W J CRD20TJ332T
VIDEO	R799	/A1B	nsp	nsp	RES.	10K OHM 1/5W J CRD20TJ103T
VIDEO	R799	/A1S	nsp	nsp	RES.	10K OHM 1/5W J CRD20TJ103T
VIDEO	R799	/N1B	nsp	nsp	RES.	10K OHM 1/5W J CRD20TJ103T
VIDEO	R799	/N1G	nsp	nsp	RES.	10K OHM 1/5W J CRD20TJ103T
VIDEO	R799	/N1S	nsp	nsp	RES.	10K OHM 1/5W J CRD20TJ103T
VIDEO	RJ10		nsp	nsp	CONN. CORD	SN95/PB5 , 0.6 C3A206
VIDEO	RJ21		nsp	nsp	RES.	10K OHM 1/5W J CRD20TJ103T
VIDEO	X701		90M-JX001080R	90M-JX001080R	X'TAL	HOX14318D220F
VIDEO	X702	/A1B	nsp	90M-JX001090R	X'TAL	HOX17744D220F
VIDEO	X702	/A1S	nsp	90M-JX001090R	X'TAL	HOX17744D220F
VIDEO	X702	/N1B	90M-JX001090R	90M-JX001090R	X'TAL	HOX17744D220F
VIDEO	X702	/N1G	90M-JX001090R	90M-JX001090R	X'TAL	HOX17744D220F
VIDEO	X702	/N1S	90M-JX001090R	90M-JX001090R	X'TAL	HOX17744D220F
					<b>VOLUME PCB (CUP11759-1)</b>	
VOLUME	BK21		nsp	nsp	TERMINAL	CNE75
VOLUME	BK22		nsp	nsp	TERMINAL	CNE75
VOLUME	C251		nsp	00MOA10601620	ELECT CAP.	10UF 16V HCEA1CH100T
VOLUME	C292		nsp	90M-OA000110R	ELECT CAP.	HCEA1HAHS100T
VOLUME	C293		nsp	90M-OA000110R	ELECT CAP.	HCEA1HAHS100T
VOLUME	C294		nsp	90M-OA000110R	ELECT CAP.	HCEA1HAHS100T
VOLUME	C295		nsp	90M-OA000110R	ELECT CAP.	HCEA1HAHS100T
VOLUME	C296		nsp	90M-OA000110R	ELECT CAP.	HCEA1HAHS100T
VOLUME	C297		nsp	90M-OA000110R	ELECT CAP.	HCEA1HAHS100T
VOLUME	C298		nsp	90M-OA000110R	ELECT CAP.	HCEA1HAHS100T
VOLUME	C299		nsp	00MOA47602520	ELECT CAP.	47UF 25V HCEA1EH470T
VOLUME	C300		nsp	00MOA47602520	ELECT CAP.	47UF 25V HCEA1EH470T
VOLUME	C301		nsp	00MOA47602520	ELECT CAP.	47UF 25V HCEA1EH470T
VOLUME	C302		nsp	00MOA47602520	ELECT CAP.	47UF 25V HCEA1EH470T
VOLUME	C303		nsp	nsp	CER. CAP.	50V 0.1UF CCTK1H104ZF
VOLUME	C304		nsp	nsp	CER. CAP.	50V 0.1UF CCTK1H104ZF
VOLUME	C305		nsp	nsp	CER. CAP.	50V 0.1UF CCTK1H104ZF
VOLUME	C306		nsp	nsp	CER. CAP.	50V 0.1UF CCTK1H104ZF
VOLUME	C307		nsp	nsp	CER. CAP.	100PF 50V KB CCTK1H101KB
VOLUME	C308		nsp	nsp	CER. CAP.	100PF 50V KB CCTK1H101KB
VOLUME	C309		nsp	nsp	CER. CAP.	50V 0.1UF CCTK1H104ZF
VOLUME	C310		nsp	nsp	CER. CAP.	50V 0.1UF CCTK1H104ZF
VOLUME	C311		nsp	nsp	CER. CAP.	50V 0.1UF CCTK1H104ZF
VOLUME	C312		nsp	nsp	CER. CAP.	50V 0.1UF CCTK1H104ZF
VOLUME	C313		nsp	nsp	CER. CAP.	50V 0.1UF CCTK1H104ZF
VOLUME	C314		nsp	nsp	CER. CAP.	50V 0.1UF CCTK1H104ZF
VOLUME	C315		nsp	nsp	CER. CAP.	50V 0.1UF CCTK1H104ZF
VOLUME	C316		nsp	nsp	CER. CAP.	50V 0.1UF CCTK1H104ZF
VOLUME	C317		nsp	nsp	CER. CAP.	100PF 50V KB CCTK1H101KB
VOLUME	C318		nsp	nsp	CER. CAP.	100PF 50V KB CCTK1H101KB
VOLUME	C319		nsp	nsp	CER. CAP.	100PF 50V KB CCTK1H101KB
VOLUME	C320		nsp	nsp	CER. CAP.	100PF 50V KB CCTK1H101KB
VOLUME	C321		nsp	nsp	CER. CAP.	100PF 50V KB CCTK1H101KB
VOLUME	C322		nsp	nsp	CER. CAP.	100PF 50V KB CCTK1H101KB
VOLUME	C323		nsp	nsp	CER. CAP.	100PF 50V KB CCTK1H101KB
VOLUME	C324		nsp	nsp	CER. CAP.	470PF 50V KB CCTK1H471KB
VOLUME	C325		nsp	nsp	CER. CAP.	470PF 50V KB CCTK1H471KB
VOLUME	C326		nsp	nsp	CER. CAP.	470PF 50V KB CCTK1H471KB
VOLUME	C327		nsp	nsp	CER. CAP.	470PF 50V KB CCTK1H471KB
VOLUME	C328		nsp	nsp	CER. CAP.	470PF 50V KB CCTK1H471KB
VOLUME	C329		nsp	90M-OA000110R	ELECT CAP.	HCEA1HAHS100T
VOLUME	C330		nsp	90M-OA000110R	ELECT CAP.	HCEA1HAHS100T
VOLUME	C331		nsp	90M-OA000110R	ELECT CAP.	HCEA1HAHS100T
VOLUME	C332		nsp	90M-OA000110R	ELECT CAP.	HCEA1HAHS100T

NOTE : "nsp" PART IS LISTED FOR REFERENCE ONLY, MARANTZ WILL NOT SUPPLY THESE PARTS.

P.C.B. NAME	POS. NO.	VERS. COLOR	PART NO. (FOR EUR)	PART NO. (MJI)	PART NAME	DESCRIPTION
VOLUME	C333		nsp	90M-OA000110R	ELECT CAP.	HCEA1HAHS100T
VOLUME	C334		nsp	90M-OA000110R	ELECT CAP.	HCEA1HAHS100T
VOLUME	C336		nsp	90M-OA000130R	ELECT CAP.	HCEA1HAHS220T
VOLUME	C337		nsp	90M-OA000130R	ELECT CAP.	HCEA1HAHS220T
VOLUME	C338		nsp	90M-OA000130R	ELECT CAP.	HCEA1HAHS220T
VOLUME	C339		nsp	90M-OA000130R	ELECT CAP.	HCEA1HAHS220T
VOLUME	C340		nsp	90M-OA000130R	ELECT CAP.	HCEA1HAHS220T
VOLUME	C341		nsp	90M-OA000130R	ELECT CAP.	HCEA1HAHS220T
VOLUME	C342		nsp	90M-OA000130R	ELECT CAP.	HCEA1HAHS220T
VOLUME	C343		nsp	90M-OA000100R	ELECT CAP.	HCEA1EAHS470T
VOLUME	C344		nsp	90M-OA000100R	ELECT CAP.	HCEA1EAHS470T
VOLUME	C345		nsp	90M-OA000100R	ELECT CAP.	HCEA1EAHS470T
VOLUME	C346		nsp	90M-OA000100R	ELECT CAP.	HCEA1EAHS470T
VOLUME	C347		nsp	90M-OA000100R	ELECT CAP.	HCEA1EAHS470T
VOLUME	C348		nsp	90M-OA000100R	ELECT CAP.	HCEA1EAHS470T
VOLUME	C349		nsp	90M-OA000100R	ELECT CAP.	HCEA1EAHS470T
VOLUME	C350		nsp	nsp	CER. CAP.	100PF 50V KB CCKT1H101KB
VOLUME	C351		nsp	nsp	CER. CAP.	100PF 50V KB CCKT1H101KB
VOLUME	C374		nsp	nsp	CER. CAP.	470PF 50V KB CCKT1H471KB
VOLUME	C375		nsp	nsp	CER. CAP.	470PF 50V KB CCKT1H471KB
VOLUME	C376		nsp	90M-OA000110R	ELECT CAP.	HCEA1HAHS100T
VOLUME	C395		nsp	90M-OA000110R	ELECT CAP.	HCEA1HAHS100T
VOLUME	C415		nsp	90M-OA000110R	ELECT CAP.	HCEA1HAHS100T
VOLUME	C416		nsp	90M-OA000110R	ELECT CAP.	HCEA1HAHS100T
VOLUME	C417		nsp	90M-OA000110R	ELECT CAP.	HCEA1HAHS100T
VOLUME	C418		nsp	90M-OA000110R	ELECT CAP.	HCEA1HAHS100T
VOLUME	C419		nsp	90M-OA000130R	ELECT CAP.	HCEA1HAHS220T
VOLUME	C420		nsp	90M-OA000130R	ELECT CAP.	HCEA1HAHS220T
VOLUME	C421		nsp	nsp	CER. CAP.	100PF 50V KB CCKT1H101KB
VOLUME	C423		nsp	90M-OA000100R	ELECT CAP.	HCEA1EAHS470T
VOLUME	C424		nsp	90M-OA000100R	ELECT CAP.	HCEA1EAHS470T
VOLUME	C425		nsp	nsp	CER. CAP.	470PF 50V KB CCKT1H471KB
VOLUME	C426		nsp	nsp	CER. CAP.	470PF 50V KB CCKT1H471KB
VOLUME	C427		nsp	90M-OA000100R	ELECT CAP.	HCEA1EAHS470T
VOLUME	C428		nsp	90M-OA000130R	ELECT CAP.	HCEA1HAHS220T
VOLUME	C429		nsp	nsp	CER. CAP.	100PF 50V KB CCKT1H101KB
VOLUME	C430		nsp	90M-OA000110R	ELECT CAP.	HCEA1HAHS100T
VOLUME	C431		nsp	nsp	CER. CAP.	470PF 50V KB CCKT1H471KB
VOLUME	C432		nsp	nsp	CER. CAP.	50V 0.1UF CCKT1H104ZF
VOLUME	C433		nsp	nsp	CER. CAP.	50V 0.1UF CCKT1H104ZF
VOLUME	C442		nsp	nsp	CER. CAP.	100PF 50V KB CCKT1H101KB
VOLUME	C452		nsp	00MOA22701620	ELECT CAP.	HCEA1CH221T
VOLUME	C460		nsp	nsp	CER. CAP.	50V 0.1UF CCKT1H104ZF
VOLUME	C461		nsp	nsp	CER. CAP.	50V 0.1UF CCKT1H104ZF
VOLUME	C462		nsp	nsp	CER. CAP.	50V 0.1UF CCKT1H104ZF
VOLUME	C463		nsp	nsp	CER. CAP.	50V 0.1UF CCKT1H104ZF
VOLUME	C464		nsp	00MOA10701620	ELECT CAP.	100UF 16V HCEA1CH101T
VOLUME	C465		nsp	00MOA10701620	ELECT CAP.	100UF 16V HCEA1CH101T
VOLUME	C466		nsp	00MOA10702520	ELECT CAP.	100UF 25V HCEA1EH101T
VOLUME	C467		nsp	00MOA10702520	ELECT CAP.	100UF 25V HCEA1EH101T
VOLUME	C481		nsp	nsp	CER. CAP.	0.01UF 50V ZF CCKT1H103ZF
VOLUME	C485		nsp	nsp	CER. CAP.	0.01UF 50V ZF CCKT1H103ZF
VOLUME	C486		nsp	nsp	CER. CAP.	0.01UF 50V ZF CCKT1H103ZF
VOLUME	C487		nsp	nsp	CER. CAP.	0.01UF 50V ZF CCKT1H103ZF
VOLUME	CN22		nsp	nsp	JACK	CJP15GA19ZY
VOLUME	CN23		nsp	nsp	JACK	STRAIGHT, 8PIN CJP08GA19ZY
VOLUME	CN24		nsp	nsp	JACK	STRAIGHT, 6PIN CJP06GA19ZY
VOLUME	CN25		nsp	nsp	JACK	CJP15GA117ZY
VOLUME	CN29		nsp	nsp	JACK	STRAIGHT, 6PIN CJP06GA19ZY
VOLUME	CN47		nsp	nsp	JACK	STRAIGHT, 6PIN CJP06GA19ZY
VOLUME	CN49		nsp	nsp	JACK	CJP23GA117ZY
VOLUME	D203		nsp	00MHD20015210	DIODE	1SS133T-77 HVD1SS133MT
VOLUME	D205		nsp	00MHD20015210	DIODE	1SS133T-77 HVD1SS133MT
VOLUME	D206		nsp	00MHD20015210	DIODE	1SS133T-77 HVD1SS133MT
VOLUME	D207		nsp	00MHD20015210	DIODE	1SS133T-77 HVD1SS133MT
VOLUME	D208		nsp	00MHD20015210	DIODE	1SS133T-77 HVD1SS133MT

NOTE : "nsp" PART IS LISTED FOR REFERENCE ONLY, MARANTZ WILL NOT SUPPLY THESE PARTS.

P.C.B. NAME	POS. NO.	VERS. COLOR	PART NO. (FOR EUR)	PART NO. (MJ)	PART NAME	DESCRIPTION
VOLUME	D209		nsp	00MHD20015210	DIODE	1SS133T-77 HVD1SS133MT
VOLUME	D216		nsp	00MHD20015210	DIODE	1SS133T-77 HVD1SS133MT
VOLUME	IC11		00MHC10456050	00MHC10456050	IC	TC9482N HVITC9482N
VOLUME	IC12		00MHC10456050	00MHC10456050	IC	TC9482N HVITC9482N
VOLUME	IC13		00MHC10053090	00MHC10053090	IC	NJM2068DD HVINJM2068DD
VOLUME	IC14		00MHC10053090	00MHC10053090	IC	NJM2068DD HVINJM2068DD
VOLUME	IC15		00MHC10053090	00MHC10053090	IC	NJM2068DD HVINJM2068DD
VOLUME	IC16		00MHC10053090	00MHC10053090	IC	NJM2068DD HVINJM2068DD
VOLUME	IC17		00MHC10053090	00MHC10053090	IC	NJM2068DD HVINJM2068DD
VOLUME	J100		nsp	nsp	CONN. CORD	SN95/PB5 , 0.6 C3A206
VOLUME	J101		nsp	nsp	CONN. CORD	SN95/PB5 , 0.6 C3A206
VOLUME	J102		nsp	nsp	CONN. CORD	SN95/PB5 , 0.6 C3A206
VOLUME	J103		nsp	nsp	CONN. CORD	SN95/PB5 , 0.6 C3A206
VOLUME	J104		nsp	nsp	CONN. CORD	SN95/PB5 , 0.6 C3A206
VOLUME	J105		nsp	nsp	CONN. CORD	SN95/PB5 , 0.6 C3A206
VOLUME	J106		nsp	nsp	CONN. CORD	SN95/PB5 , 0.6 C3A206
VOLUME	J107		nsp	nsp	CONN. CORD	SN95/PB5 , 0.6 C3A206
VOLUME	J108		nsp	nsp	CONN. CORD	SN95/PB5 , 0.6 C3A206
VOLUME	J111		nsp	nsp	CONN. CORD	SN95/PB5 , 0.6 C3A206
VOLUME	J112		nsp	nsp	CONN. CORD	SN95/PB5 , 0.6 C3A206
VOLUME	J114		nsp	nsp	CONN. CORD	SN95/PB5 , 0.6 C3A206
VOLUME	J115		nsp	nsp	CONN. CORD	SN95/PB5 , 0.6 C3A206
VOLUME	J117		nsp	nsp	CONN. CORD	SN95/PB5 , 0.6 C3A206
VOLUME	J118		nsp	nsp	CONN. CORD	SN95/PB5 , 0.6 C3A206
VOLUME	J119		nsp	nsp	CONN. CORD	SN95/PB5 , 0.6 C3A206
VOLUME	J122		nsp	nsp	CONN. CORD	SN95/PB5 , 0.6 C3A206
VOLUME	J125		nsp	nsp	CONN. CORD	SN95/PB5 , 0.6 C3A206
VOLUME	J126		nsp	nsp	CONN. CORD	SN95/PB5 , 0.6 C3A206
VOLUME	J127		nsp	nsp	CONN. CORD	SN95/PB5 , 0.6 C3A206
VOLUME	J130		nsp	nsp	CONN. CORD	SN95/PB5 , 0.6 C3A206
VOLUME	J135		nsp	nsp	CONN. CORD	SN95/PB5 , 0.6 C3A206
VOLUME	J137		nsp	nsp	CONN. CORD	SN95/PB5 , 0.6 C3A206
VOLUME	J138		nsp	nsp	CONN. CORD	SN95/PB5 , 0.6 C3A206
VOLUME	J139		nsp	nsp	CONN. CORD	SN95/PB5 , 0.6 C3A206
VOLUME	J140		nsp	nsp	CONN. CORD	SN95/PB5 , 0.6 C3A206
VOLUME	J141		nsp	nsp	CONN. CORD	SN95/PB5 , 0.6 C3A206
VOLUME	J142		nsp	nsp	CONN. CORD	SN95/PB5 , 0.6 C3A206
VOLUME	J145		nsp	nsp	CONN. CORD	SN95/PB5 , 0.6 C3A206
VOLUME	J146		nsp	nsp	CONN. CORD	SN95/PB5 , 0.6 C3A206
VOLUME	J147		nsp	nsp	CONN. CORD	SN95/PB5 , 0.6 C3A206
VOLUME	J148		nsp	nsp	CONN. CORD	SN95/PB5 , 0.6 C3A206
VOLUME	J149		nsp	nsp	CONN. CORD	SN95/PB5 , 0.6 C3A206
VOLUME	J150		nsp	nsp	CONN. CORD	SN95/PB5 , 0.6 C3A206
VOLUME	J151		nsp	nsp	CONN. CORD	SN95/PB5 , 0.6 C3A206
VOLUME	J152		nsp	nsp	CONN. CORD	SN95/PB5 , 0.6 C3A206
VOLUME	J153		nsp	nsp	CONN. CORD	SN95/PB5 , 0.6 C3A206
VOLUME	J155		nsp	nsp	CONN. CORD	SN95/PB5 , 0.6 C3A206
VOLUME	J156		nsp	nsp	CONN. CORD	SN95/PB5 , 0.6 C3A206
VOLUME	J158		nsp	nsp	CONN. CORD	SN95/PB5 , 0.6 C3A206
VOLUME	J159		nsp	nsp	CONN. CORD	SN95/PB5 , 0.6 C3A206
VOLUME	J160		nsp	nsp	CONN. CORD	SN95/PB5 , 0.6 C3A206
VOLUME	J161		nsp	nsp	CONN. CORD	SN95/PB5 , 0.6 C3A206
VOLUME	J162		nsp	nsp	CONN. CORD	SN95/PB5 , 0.6 C3A206
VOLUME	J164		nsp	nsp	CONN. CORD	SN95/PB5 , 0.6 C3A206
VOLUME	J165		nsp	nsp	CONN. CORD	SN95/PB5 , 0.6 C3A206
VOLUME	J166		nsp	nsp	CONN. CORD	SN95/PB5 , 0.6 C3A206
VOLUME	J167		nsp	nsp	CONN. CORD	SN95/PB5 , 0.6 C3A206
VOLUME	J168		nsp	nsp	CONN. CORD	SN95/PB5 , 0.6 C3A206
VOLUME	J169		nsp	nsp	CONN. CORD	SN95/PB5 , 0.6 C3A206
VOLUME	J170		nsp	nsp	CONN. CORD	SN95/PB5 , 0.6 C3A206
VOLUME	J171		nsp	nsp	CONN. CORD	SN95/PB5 , 0.6 C3A206
VOLUME	J172		nsp	nsp	CONN. CORD	SN95/PB5 , 0.6 C3A206
VOLUME	J173		nsp	nsp	CONN. CORD	SN95/PB5 , 0.6 C3A206
VOLUME	J174		nsp	nsp	CONN. CORD	SN95/PB5 , 0.6 C3A206
VOLUME	J176		nsp	nsp	CONN. CORD	SN95/PB5 , 0.6 C3A206
VOLUME	J177		nsp	nsp	CONN. CORD	SN95/PB5 , 0.6 C3A206

NOTE : "nsp" PART IS LISTED FOR REFERENCE ONLY, MARANTZ WILL NOT SUPPLY THESE PARTS.



P.C.B. NAME	POS. NO.	VERS. COLOR	PART NO. (FOR EUR)	PART NO. (MJI)	PART NAME	DESCRIPTION
VOLUME	Q201		00MHT805501B0	00MHT805501B0	TRS.	KTC2874B HVTKTC2874BT
VOLUME	Q202		00MHT805501B0	00MHT805501B0	TRS.	KTC2874B HVTKTC2874BT
VOLUME	Q203		00MHT805501B0	00MHT805501B0	TRS.	KTC2874B HVTKTC2874BT
VOLUME	Q204		00MHT805501B0	00MHT805501B0	TRS.	KTC2874B HVTKTC2874BT
VOLUME	Q205		00MHT805501B0	00MHT805501B0	TRS.	KTC2874B HVTKTC2874BT
VOLUME	Q206		00MHT805501B0	00MHT805501B0	TRS.	KTC2874B HVTKTC2874BT
VOLUME	Q207		00MHT805501B0	00MHT805501B0	TRS.	KTC2874B HVTKTC2874BT
VOLUME	Q208		00MHT805501B0	00MHT805501B0	TRS.	KTC2874B HVTKTC2874BT
VOLUME	Q209		00MHT805501B0	00MHT805501B0	TRS.	KTC2874B HVTKTC2874BT
VOLUME	Q210		00MHT805501B0	00MHT805501B0	TRS.	KTC2874B HVTKTC2874BT
VOLUME	Q211		00MHT805501B0	00MHT805501B0	TRS.	KTC2874B HVTKTC2874BT
VOLUME	Q212		00MHT805501B0	00MHT805501B0	TRS.	KTC2874B HVTKTC2874BT
VOLUME	Q213		00MHT805501B0	00MHT805501B0	TRS.	KTC2874B HVTKTC2874BT
VOLUME	Q214		00MHT805501B0	00MHT805501B0	TRS.	KTC2874B HVTKTC2874BT
VOLUME	Q215		00MBA10002000	00MBA10002000	TRS.	KRA104M HVTKRA104MT
VOLUME	Q216		00MBA10002000	00MBA10002000	TRS.	KRA104M HVTKRA104MT
VOLUME	Q217		00MBA10002000	00MBA10002000	TRS.	KRA104M HVTKRA104MT
VOLUME	Q218		00MBA10002000	00MBA10002000	TRS.	KRA104M HVTKRA104MT
VOLUME	Q219		00MBA10002000	00MBA10002000	TRS.	KRA104M HVTKRA104MT
VOLUME	Q220		00MBA10002000	00MBA10002000	TRS.	KRA104M HVTKRA104MT
VOLUME	Q221		00MBA20002000	00MBA20002000	TRS.	KRC104M HVTKRC104MT
VOLUME	Q222		00MBA20002000	00MBA20002000	TRS.	KRC104M HVTKRC104MT
VOLUME	Q223		00MBA20002000	00MBA20002000	TRS.	KRC104M HVTKRC104MT
VOLUME	Q224		00MBA20002000	00MBA20002000	TRS.	KRC104M HVTKRC104MT
VOLUME	Q225		00MBA20002000	00MBA20002000	TRS.	KRC104M HVTKRC104MT
VOLUME	Q226		00MBA20002000	00MBA20002000	TRS.	KRC104M HVTKRC104MT
VOLUME	Q233		00MHT805501B0	00MHT805501B0	TRS.	KTC2874B HVTKTC2874BT
VOLUME	Q234		00MHT805501B0	00MHT805501B0	TRS.	KTC2874B HVTKTC2874BT
VOLUME	Q235		00MHT805501B0	00MHT805501B0	TRS.	KTC2874B HVTKTC2874BT
VOLUME	Q237		00MHT805501B0	00MHT805501B0	TRS.	KTC2874B HVTKTC2874BT
VOLUME	Q238		00MHT805501B0	00MHT805501B0	TRS.	KTC2874B HVTKTC2874BT
VOLUME	Q239		00MHT805501B0	00MHT805501B0	TRS.	KTC2874B HVTKTC2874BT
VOLUME	Q240		00MBA10002000	00MBA10002000	TRS.	KRA104M HVTKRA104MT
VOLUME	Q241		00MBA20002000	00MBA20002000	TRS.	KRC104M HVTKRC104MT
VOLUME	Q251		00MBA20001000	00MBA20001000	TRS.	KRC102M HVTKRC102MT
VOLUME	R266		nsp	nsp	RES.	100K OHM 1/5W J CRD20TJ104T
VOLUME	R284		nsp	nsp	RES.	100K OHM 1/5W J CRD20TJ104T
VOLUME	R285		nsp	nsp	RES.	100K OHM 1/5W J CRD20TJ104T
VOLUME	R287		nsp	nsp	RES.	100K OHM 1/5W J CRD20TJ104T
VOLUME	R288		nsp	nsp	RES.	100K OHM 1/5W J CRD20TJ104T
VOLUME	R289		nsp	nsp	RES.	100K OHM 1/5W J CRD20TJ104T
VOLUME	R290		nsp	nsp	RES.	100K OHM 1/5W J CRD20TJ104T
VOLUME	R291		nsp	nsp	RES.	100 OHM 1/5W J CRD20TJ101T
VOLUME	R292		nsp	nsp	RES.	100 OHM 1/5W J CRD20TJ101T
VOLUME	R293		nsp	nsp	RES.	47K OHM 1/5W J CRD20TJ473T
VOLUME	R294		nsp	nsp	RES.	47K OHM 1/5W J CRD20TJ473T
VOLUME	R295		nsp	nsp	RES.	47K OHM 1/5W J CRD20TJ473T
VOLUME	R296		nsp	nsp	RES.	47K OHM 1/5W J CRD20TJ473T
VOLUME	R297		nsp	nsp	RES.	47K OHM 1/5W J CRD20TJ473T
VOLUME	R298		nsp	nsp	RES.	47K OHM 1/5W J CRD20TJ473T
VOLUME	R299		nsp	nsp	RES.	47K OHM 1/5W J CRD20TJ473T
VOLUME	R300		nsp	nsp	RES.	1K OHM 1/5W J CRD20TJ102T
VOLUME	R301		nsp	nsp	RES.	1K OHM 1/5W J CRD20TJ102T
VOLUME	R302		nsp	nsp	RES.	1K OHM 1/5W J CRD20TJ102T
VOLUME	R303		nsp	nsp	RES.	1K OHM 1/5W J CRD20TJ102T
VOLUME	R304		nsp	nsp	RES.	1K OHM 1/5W J CRD20TJ102T
VOLUME	R305		nsp	nsp	RES.	1K OHM 1/5W J CRD20TJ102T
VOLUME	R306		nsp	nsp	RES.	1K OHM 1/5W J CRD20TJ102T
VOLUME	R314		nsp	nsp	RES.	12K OHM 1/5W J CRD20TJ123T
VOLUME	R315		nsp	nsp	RES.	12K OHM 1/5W J CRD20TJ123T
VOLUME	R316		nsp	nsp	RES.	8.2K OHM 1/5W J CRD20TJ822T
VOLUME	R317		nsp	nsp	RES.	8.2K OHM 1/5W J CRD20TJ822T
VOLUME	R318		nsp	nsp	RES.	12K OHM 1/5W J CRD20TJ123T
VOLUME	R319		nsp	nsp	RES.	12K OHM 1/5W J CRD20TJ123T
VOLUME	R320		nsp	nsp	RES.	8.2K OHM 1/5W J CRD20TJ822T
VOLUME	R321		nsp	nsp	RES.	47K OHM 1/5W J CRD20TJ473T

NOTE : "nsp" PART IS LISTED FOR REFERENCE ONLY, MARANTZ WILL NOT SUPPLY THESE PARTS.

P.C.B. NAME	POS. NO.	VERS. COLOR	PART NO. (FOR EUR)	PART NO. (MJI)	PART NAME	DESCRIPTION
VOLUME	R322		nsp	nsp	RES.	47K OHM 1/5W J CRD20TJ473T
VOLUME	R323		nsp	nsp	RES.	47K OHM 1/5W J CRD20TJ473T
VOLUME	R324		nsp	nsp	RES.	47K OHM 1/5W J CRD20TJ473T
VOLUME	R325		nsp	nsp	RES.	47K OHM 1/5W J CRD20TJ473T
VOLUME	R326		nsp	nsp	RES.	47K OHM 1/5W J CRD20TJ473T
VOLUME	R327		nsp	nsp	RES.	47K OHM 1/5W J CRD20TJ473T
VOLUME	R328		nsp	nsp	RES.	220 OHM 1/5W J CRD20TJ221T
VOLUME	R329		nsp	nsp	RES.	220 OHM 1/5W J CRD20TJ221T
VOLUME	R330		nsp	nsp	RES.	220 OHM 1/5W J CRD20TJ221T
VOLUME	R331		nsp	nsp	RES.	220 OHM 1/5W J CRD20TJ221T
VOLUME	R332		nsp	nsp	RES.	220 OHM 1/5W J CRD20TJ221T
VOLUME	R333		nsp	nsp	RES.	220 OHM 1/5W J CRD20TJ221T
VOLUME	R334		nsp	nsp	RES.	220 OHM 1/5W J CRD20TJ221T
VOLUME	R336		nsp	nsp	RES.	1M OHM 1/5W J CRD20TJ105T
VOLUME	R338		nsp	nsp	RES.	1M OHM 1/5W J CRD20TJ105T
VOLUME	R340		nsp	nsp	RES.	1M OHM 1/5W J CRD20TJ105T
VOLUME	R341		nsp	nsp	RES.	1M OHM 1/5W J CRD20TJ105T
VOLUME	R342		nsp	nsp	RES.	10K OHM 1/5W J CRD20TJ103T
VOLUME	R343		nsp	nsp	RES.	10K OHM 1/5W J CRD20TJ103T
VOLUME	R344		nsp	nsp	RES.	10K OHM 1/5W J CRD20TJ103T
VOLUME	R345		nsp	nsp	RES.	10K OHM 1/5W J CRD20TJ103T
VOLUME	R346		nsp	nsp	RES.	10K OHM 1/5W J CRD20TJ103T
VOLUME	R347		nsp	nsp	RES.	10K OHM 1/5W J CRD20TJ103T
VOLUME	R348		nsp	nsp	RES.	10K OHM 1/5W J CRD20TJ103T
VOLUME	R349		nsp	nsp	RES.	10K OHM 1/5W J CRD20TJ103T
VOLUME	R350		nsp	nsp	RES.	10K OHM 1/5W J CRD20TJ103T
VOLUME	R351		nsp	nsp	RES.	10K OHM 1/5W J CRD20TJ103T
VOLUME	R352		nsp	nsp	RES.	10K OHM 1/5W J CRD20TJ103T
VOLUME	R353		nsp	nsp	RES.	10K OHM 1/5W J CRD20TJ103T
VOLUME	R354		nsp	nsp	RES.	10K OHM 1/5W J CRD20TJ103T
VOLUME	R355		nsp	nsp	RES.	10K OHM 1/5W J CRD20TJ103T
VOLUME	R356		nsp	nsp	RES.	220 OHM 1/5W J CRD20TJ221T
VOLUME	R357		nsp	nsp	RES.	220 OHM 1/5W J CRD20TJ221T
VOLUME	R358		nsp	nsp	RES.	220 OHM 1/5W J CRD20TJ221T
VOLUME	R359		nsp	nsp	RES.	220 OHM 1/5W J CRD20TJ221T
VOLUME	R360		nsp	nsp	RES.	220 OHM 1/5W J CRD20TJ221T
VOLUME	R361		nsp	nsp	RES.	220 OHM 1/5W J CRD20TJ221T
VOLUME	R362		nsp	nsp	RES.	220 OHM 1/5W J CRD20TJ221T
VOLUME	R363		nsp	nsp	RES.	33 OHM 1/5W J CRD20TJ330T
VOLUME	R364		nsp	nsp	RES.	33 OHM 1/5W J CRD20TJ330T
VOLUME	R365		nsp	nsp	RES.	33 OHM 1/5W J CRD20TJ330T
VOLUME	R366		nsp	nsp	RES.	33 OHM 1/5W J CRD20TJ330T
VOLUME	R367		nsp	nsp	RES.	33 OHM 1/5W J CRD20TJ330T
VOLUME	R368		nsp	nsp	RES.	33 OHM 1/5W J CRD20TJ330T
VOLUME	R369		nsp	nsp	RES.	33 OHM 1/5W J CRD20TJ330T
VOLUME	R370		nsp	nsp	RES.	100 OHM 1/5W J CRD20TJ101T
VOLUME	R371		nsp	nsp	RES.	100 OHM 1/5W J CRD20TJ101T
VOLUME	R407		nsp	nsp	RES.	100K OHM 1/5W J CRD20TJ104T
VOLUME	R408		nsp	nsp	RES.	100K OHM 1/5W J CRD20TJ104T
VOLUME	R409		nsp	nsp	RES.	47K OHM 1/5W J CRD20TJ473T
VOLUME	R410		nsp	nsp	RES.	1K OHM 1/5W J CRD20TJ102T
VOLUME	R411		nsp	nsp	RES.	8.2K OHM 1/5W J CRD20TJ822T
VOLUME	R413		nsp	nsp	RES.	47K OHM 1/5W J CRD20TJ473T
VOLUME	R414		nsp	nsp	RES.	220 OHM 1/5W J CRD20TJ221T
VOLUME	R415		nsp	nsp	RES.	1M OHM 1/5W J CRD20TJ105T
VOLUME	R416		nsp	nsp	RES.	10K OHM 1/5W J CRD20TJ103T
VOLUME	R417		nsp	nsp	RES.	10K OHM 1/5W J CRD20TJ103T
VOLUME	R418		nsp	nsp	RES.	220 OHM 1/5W J CRD20TJ221T
VOLUME	R419		nsp	nsp	RES.	33 OHM 1/5W J CRD20TJ330T
VOLUME	R420		nsp	nsp	RES.	47K OHM 1/5W J CRD20TJ473T
VOLUME	R421		nsp	nsp	RES.	1K OHM 1/5W J CRD20TJ102T
VOLUME	R423		nsp	nsp	RES.	8.2K OHM 1/5W J CRD20TJ822T
VOLUME	R424		nsp	nsp	RES.	220 OHM 1/5W J CRD20TJ221T
VOLUME	R425		nsp	nsp	RES.	47K OHM 1/5W J CRD20TJ473T
VOLUME	R426		nsp	nsp	RES.	47K OHM 1/5W J CRD20TJ473T
VOLUME	R427		nsp	nsp	RES.	220 OHM 1/5W J CRD20TJ221T

NOTE : "nsp" PART IS LISTED FOR REFERENCE ONLY, MARANTZ WILL NOT SUPPLY THESE PARTS.

P.C.B. NAME	POS. NO.	VERS. COLOR	PART NO. (FOR EUR)	PART NO. (MJI)	PART NAME	DESCRIPTION
VOLUME	R428		nsp	nsp	RES.	8.2K OHM 1/5W J CRD20TJ822T
VOLUME	R429		nsp	nsp	RES.	1K OHM 1/5W J CRD20TJ102T
VOLUME	R431		nsp	nsp	RES.	47K OHM 1/5W J CRD20TJ473T
VOLUME	R432		nsp	nsp	RES.	1M OHM 1/5W J CRD20TJ105T
VOLUME	R433		nsp	nsp	RES.	10K OHM 1/5W J CRD20TJ103T
VOLUME	R434		nsp	nsp	RES.	10K OHM 1/5W J CRD20TJ103T
VOLUME	R435		nsp	nsp	RES.	220 OHM 1/5W J CRD20TJ221T
VOLUME	R436		nsp	nsp	RES.	10K OHM 1/5W J CRD20TJ103T
VOLUME	R437		nsp	nsp	RES.	10K OHM 1/5W J CRD20TJ103T
VOLUME	R438		nsp	nsp	RES.	220 OHM 1/5W J CRD20TJ221T
VOLUME	R439		nsp	nsp	RES.	33 OHM 1/5W J CRD20TJ330T
VOLUME	R440		nsp	nsp	RES.	33 OHM 1/5W J CRD20TJ330T
VOLUME	R441		nsp	nsp	RES.	1.2K OHM 1/5W J CRD20TJ122T
VOLUME	R445		nsp	nsp	RES.	100K OHM 1/5W J CRD20TJ104T
VOLUME	R451		nsp	nsp	RES.	10 OHM 1/5W J CRD20TJ100T
VOLUME	RY92		90M-LY000380R	90M-LY000380R	RELAY	AXICOM HSL4C008ZE